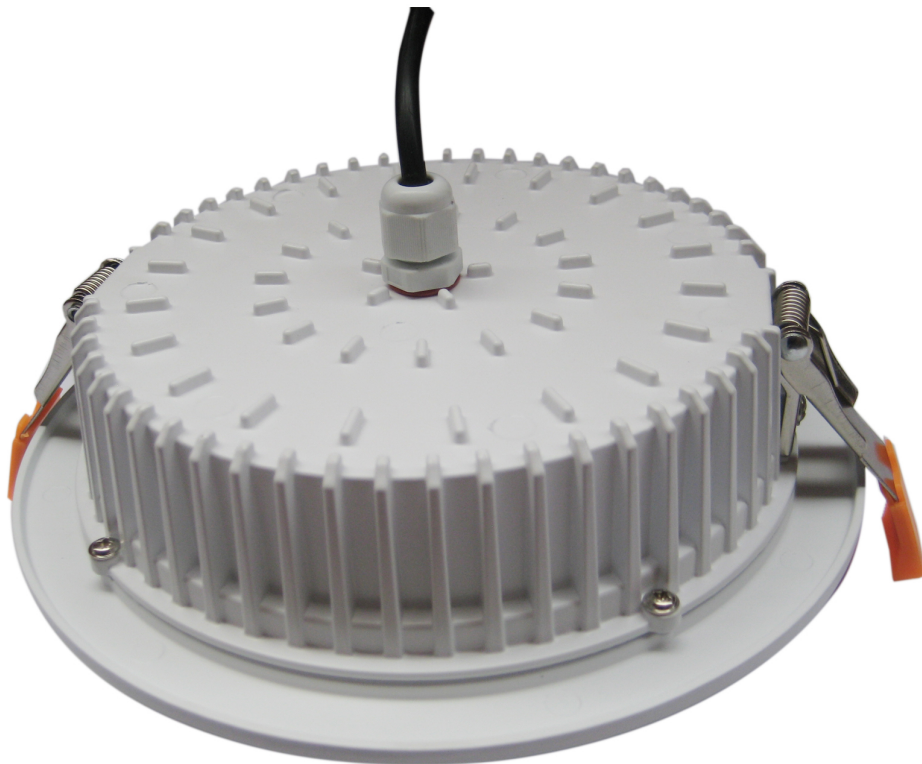


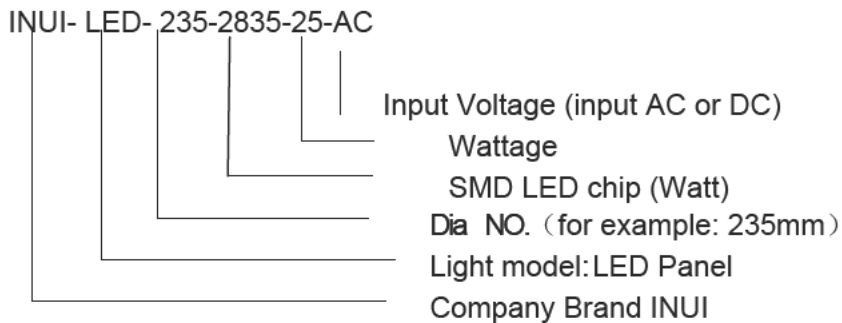
# INUI-LEDWPD& ) -25 Specification

## Product Picture



# Main Parameters

## Model No.:



## Features:

1. Product Name: LEDWPD 235 Down Light 25-watt
2. Adopt the RED 2835 Multi-Chip LED Lighting Source, encapsulation by ourselves, Long lifespan, Energy saving, Environment friendly, High efficiency, No strobe, No ghosting, No UV, IR.
3. INUI series LED Down Light integrate LED lighting source onto the back plate, the advantages are no extra cover required, the volume is small and the weight of the body is light. Which makes the LED light very easy to handle
4. The Lighting source of the LED Down Light is using a RED 2835 LED chip, It' s single LED chip will give up to 100Lm/W, Using high efficiency light guide plate which can solve the problems such as light loss and colour shading. It can assure the uniformity of flux and colour.
5. Using high efficiency thermal conductivity silicon, it's assured the heat sink of the light, the temperature of the junction will not exceed 65°C, which is effective for controlling the light degradation, the lifespan for the LED light is over 50000 hours.
6. The range for the input voltage is wide. Which make the LED Down Light a universal product. Unique protection circuit and exact constant current system assure the abilities such as anti-interference and stability of the light.
7. Our LED Drivers are approved CE CB EMC GS TUV UL and have full certification.

## Application:

LED Down Light is available for Office Lighting, corridors, Schools, Shops and Hospitals.

## Parameters:

- " ● Input Voltage: AC100-277V 47-63Hz UL driver
- " ● LED QTY: 1\*2) pcs
- " ● Total Power: 2) ±2W
- " ● Diver Efficiency: >85%
- " ● Power Factor(PF): >0.95
- " ● LED Efficiency: >100 lm/w
- " ● Initial LED Lumen: >100 lm/w
- " ● Lamp Lumen: >95 lm/w
- " ● LED COB Work Voltage: 27-42V
- " ● Related colour temperature(CCT 6000k, 4000k, 3000k
  - Colour Rendering Index (CRI): >78
  - Uniformity of luminance: 0.7
  - Distribution of the light: LED+ Optical Reflector
  - The curve of light distribution: oval
  - Working Temperature: -40 °C ~ 50 °C
  - Working Humidity: -10 ~ 90%RH
  - Storage Temperature: -25 °C ~65 °C
  - Material for light : Aluminium
  - Case Colour Available: White
  - Lifespan for LED lighting source: > 50,000 hours 5 years warranty
  - IP Rating: IP65
  - Net weight: G€gs
  - Gross Weight: 1.8Kgs



## Product Size



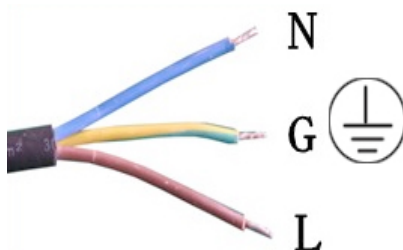
Hole size

Ø210mm

## Installation Instructions

1. When opening the package, please check the product over, accessory, label, and certificate of quality. Please assure that the light is damage free.
2. The wires of LED Down Light is three-core, the standard size of the wire is  $3 \times 1.0\text{mm}^2$  and the outer diameter is  $\Phi 8 \sim 10\text{mm}$ , brown wire is live line, blue wire is neutral line, yellow& green is earth line.
3. LED Down Light will work when the voltage up to rated voltage, so please be sure the voltage is within the required range, or it will damage the light, which can't be repaired.

4. The way of connect wire: |



## Attention



1. In order to make sure the light can work safety and stability, the earth wire must be connected to earth unless the driver is a double insulated type with no earth connection.
2. When connecting the wires please turn off the power, and check whether the wires are connected correctly. Never connect the wires in opposite way.

More Details Please Contact With Us

### **Guarantee for the quality and sales service:**

INUI series LED Down Light is a new style green energy saving led lighting; we offer a 5-year warranty as an optional extra using a Meanwell driver.

Any question, please feel free to contact our sales service department, we will ask our professional engineers to help you solve your question.

### **INUI will not offer any guarantee in the following situation:**

- ◆ The damage due to incorrect installation and operation or using the light not in the regulated working ambient.
- ◆ The damage due to abusing or misusing, or without adequate protection during installation.
- ◆ The damage due to customers opening the lamp without pre-authorisation.
- ◆ The Damage due to personal or nature disaster and other things that can't be predicted.
- ◆ The replacement of non issued parts such as LED Chips or drivers
- ◆ Any modification to the Down light without first consulting INUI for confirmation that such modification will compromise the 3 & 5-year warranty.