

High Lumen High Bay



Product Presentation

CONTENTS

- 1 Market Analysis
- 2 Product Features
- 3 Installation & Applications



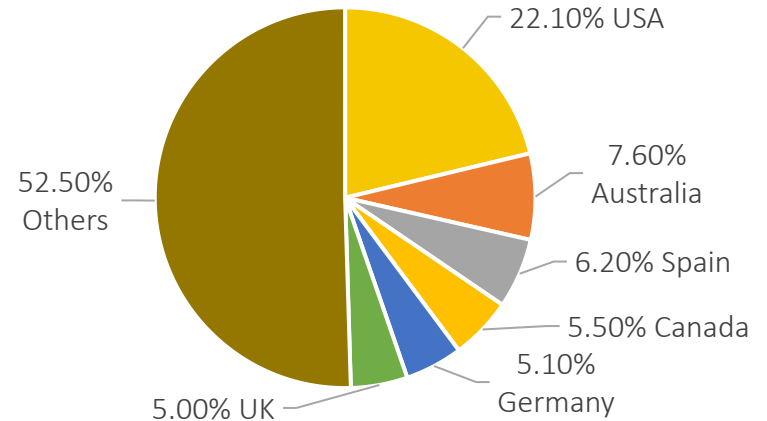
Market Analysis

Market Analysis



LED high bay is becoming common in industrial lighting, just like LED bulb in commercial lighting. Besides its basic lighting function, there also exist some special demands, such as heavy industry request high temperature resistance; some regions request high efficiency or intelligent control for more energy savings to get government subsidies, like USA, Australia, Germany, etc.

LED High Bay export overview 2018.6-2019.6



Competitor Analysis



Dialight

Wattage Range:80W-186W

Efficacy: 150lm/w @5000K Ra80

Operating Tempe:-40°C to +65°C



Philips

Wattage Range:86W-185W

Efficacy: 135lm/w @5000K Ra80

Operating Tempe:-30°C to +60°C



Hubbell

Wattage Range:100W-240W

Efficacy: 145lm/w @5000K Ra75

Operating Tempe:-20°C to +55°C



Holophanel

Wattage Range:83W-210W

Efficacy: 140lm/w @5000K Ra70

Operating Tempe:-40°C to +65°C

Product Features

Problem-solver high bay

High Lumen is a comprehensive high bay which has some attractive aspects.

It can offer two outstanding solutions:

Solution 1: 190lm/w super high system efficiency

Solution 2: 5 years warranty @Ta 65°C





Solution 1 190lm/w version

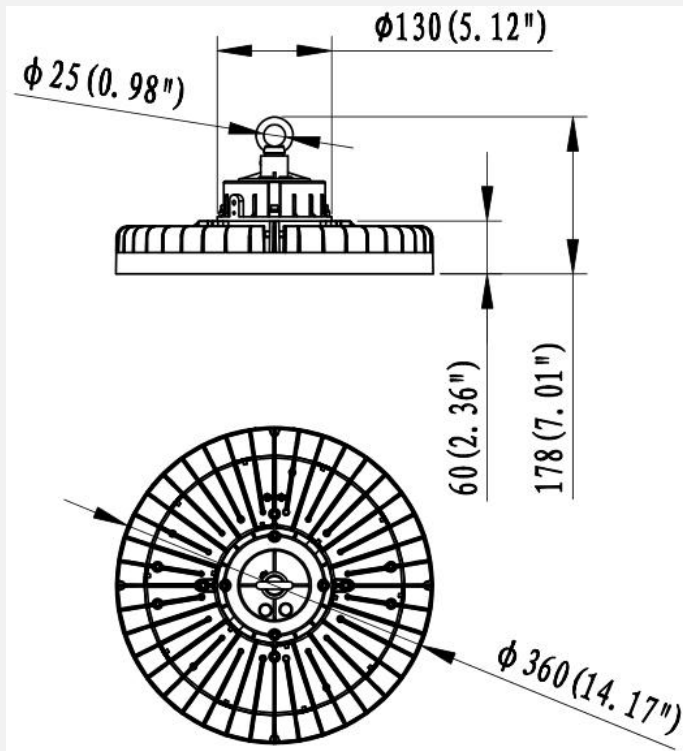
From our sales data, 150W and 200W are the popular wattages which can replace 250W and 450W HID respectively. The 190lm/w High Lumen can have higher ROI, we can use less high bay or lower wattage to get the same lighting performance.

Specification

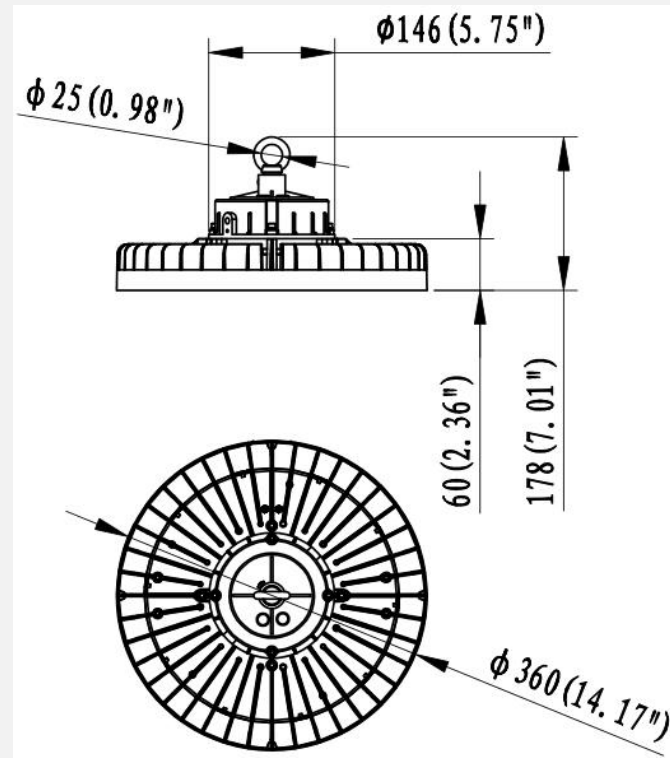


| Item No | HL-HB-100/H | HL-HB-120/H | HL-HB-150/H | HL-HB-200/H |
|-----------------|------------------------------|-------------|-------------|-------------|
| Wattage | 100W | 120W | 150W | 200W |
| Luminous Flux | 19000lm | 22800lm | 28500lm | 38000lm |
| System Efficacy | 190lm/W | | | |
| CCT | 5000K(4000K, 3000K optional) | | | |
| CRI | Ra>70(Ra80 optional) | | | |
| IP Rating | IP65 | | | |
| Operating Tempe | -30° C to 50° C | | | |
| Input Voltage | 100-240Vac, 50-60Hz | | | |
| Warranty | 5 years | | | |
| Lifespan | >50000 hrs | | | |
| Net Weight | 3.9±0.3kg | | | 4.3±0.3kg |

Product Dimension



100W/120W/150W



200W

Intelligent controls for more energy savings

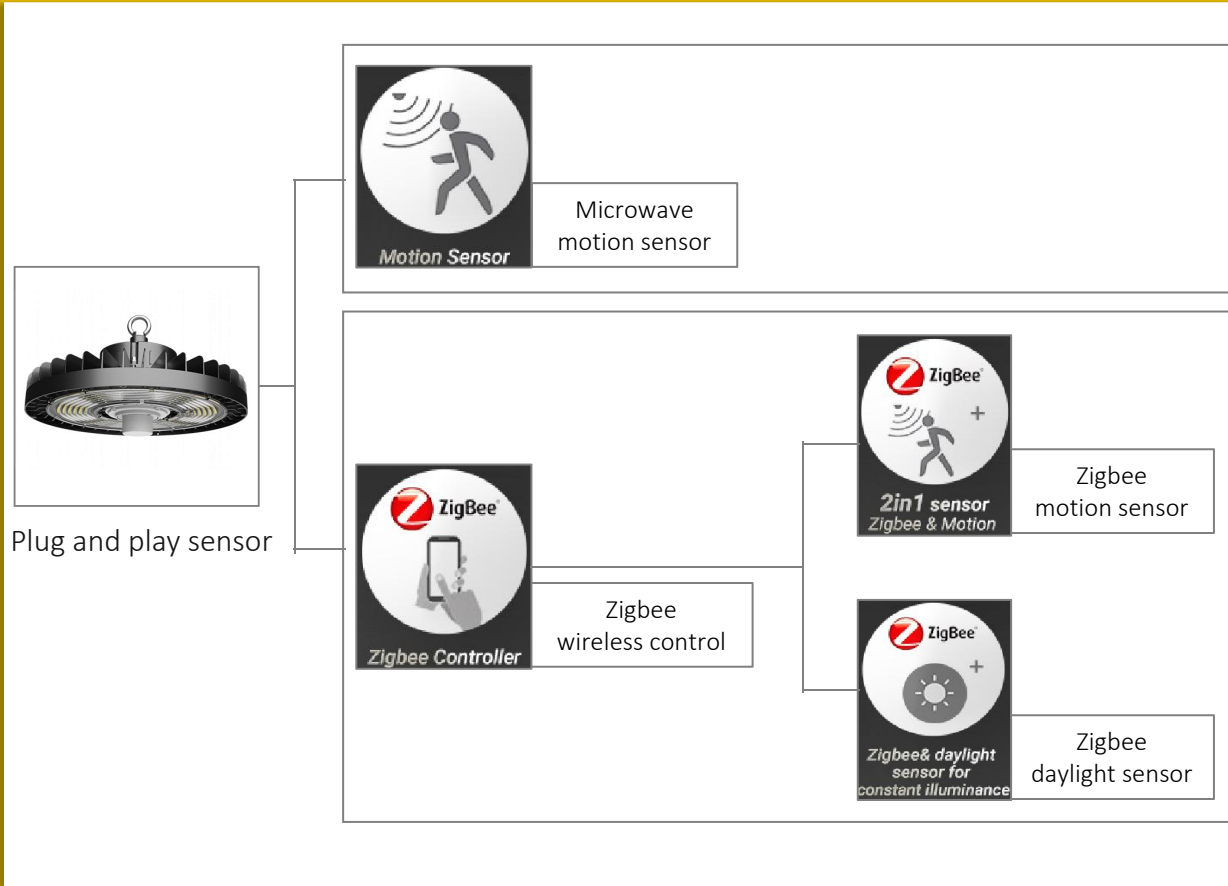
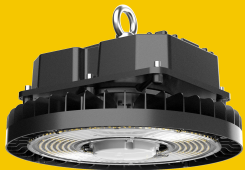
- Plug and play sensor, easy for installation and flexible for making stock as per demands



- DALI control



- Emergency kit for specific demands



5 years warranty @Ta 65°C



Special heatsink design and durable performance of MOSO driver make 5 years warranty still be possible @Ta 65°C.

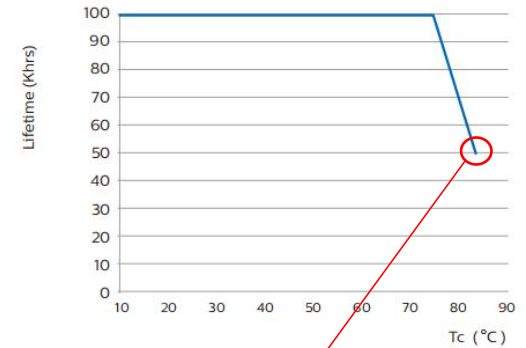
| Temperature (°C) of part 测试点 | 200W Temperature test | | | | limits |
|---------------------------------|-----------------------|----------------------|----------------|----------------------|--------|
| | Normal | | | | |
| | test 1 (°C) | Test 1 rise(k) 温升 | test 2 (°C) | Test 2 rise(k) 温升 | |
| 1. LED- | 90.1 | 29.4 | 78.7 | 28.7 | Ref. |
| 2. LED- | 91.2 | 30.5 | 78.8 | 28.8 | Ref. |
| 3. LED- | 90.4 | 29.7 | 77.9 | 27.9 | Ref. |
| 4. Wire | 73.2 | 12.5 | 58.8 | 8.8 | Ref. |
| 5. LED Driver Tc | 82.7 | 22 | 72.2 | 22.2 | 85 |
| 6. LED Driver | 81.6 | 20.9 | 71.3 | 21.3 | Ref. |
| 7. Ambient | 60.7 | -- | 50 | -- | -- |



Remark: our temperature test is done without airflow, while generally there is airflow during temperature test by 3rd party test lab, so our 60.7°C test result applies to 65°C case.

MOSO driver lifetime VS Tcase

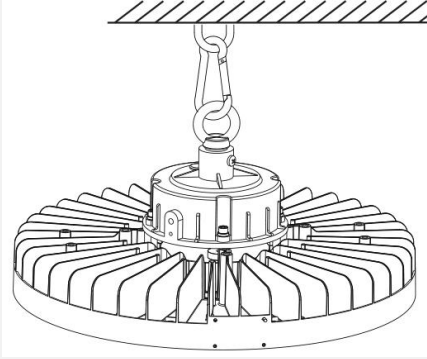
Lifetime vs Tcase



When Tc=85°C, MOSO driver lifetime still has 50Khrs

Installation & Applications

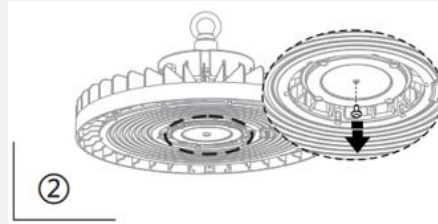
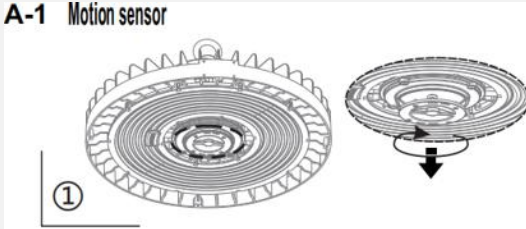
Installation for 190lm/w version



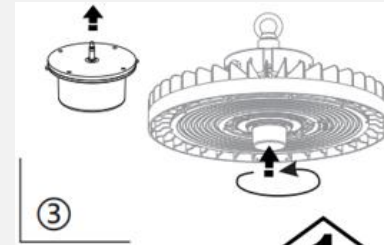
Plug and play sensor can be installed in seconds

Step 1

A-1 Motion sensor



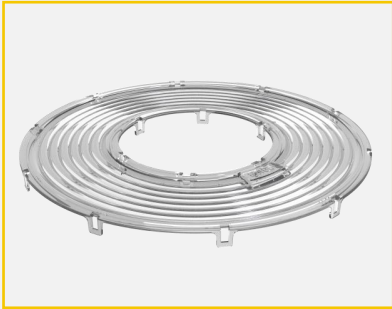
Step 3



Step 2

Accessories

It's an advantage that a 190lm/w high bay can has 60° /90° optic lens, which make it suitable for different installation height. Also the lens can be changed toolless



60° /90° /120° PC lens



PC reflector



ALU reflector



Adjustable ceiling mount bracket

Applications

- Warehouse
- Production Hall
- Industrial Facility
- Exhibition Center
- Shopping Mall

