

FLCP Series LED Canopy Light & Parking Garage Canopy Light Technical Parameters:



Model NO.	Input Voltage	CCT	CRI	Power	Luminous Flux	PF	THD	IP
FL-CP280-40W	AC100-277V	2700-6500K	≥72	40W	>4400lm	≥0.9	≤ 15%	IP65
FL-CP280-60W	AC100-277V	2700-6500K	≥72	60W	>6600lm	≥0.9	≤ 15%	IP65
FL-CP280-80W	AC100-277V	2700-6500K	≥72	80W	>8800lm	≥0.9	≤ 15%	IP65
FL-CP280-100W	AC100-277V	2700-6500K	≥72	100W	>11000lm	≥0.9	≤ 15%	IP65

OSRAM 3030, Lumileds 3030

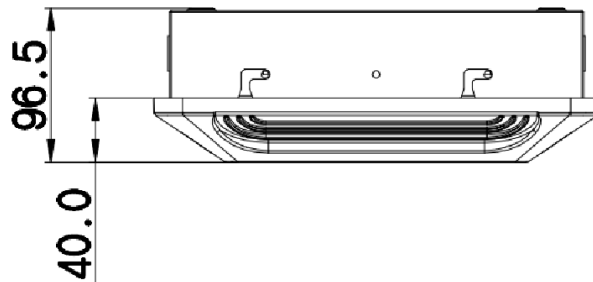
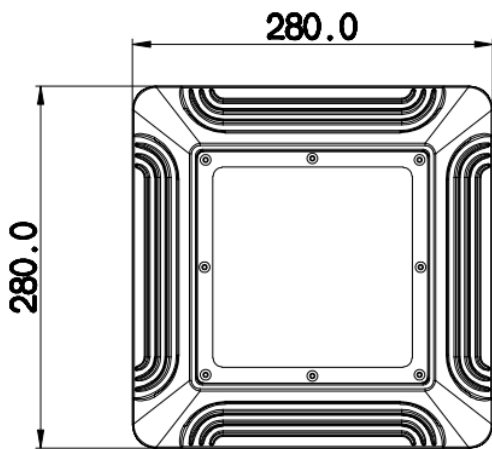
3030>130lm/w

(Note: the above flux at 3030, OSRAM Lumileds 3030 as a benchmark)

Key Features Different from other series:

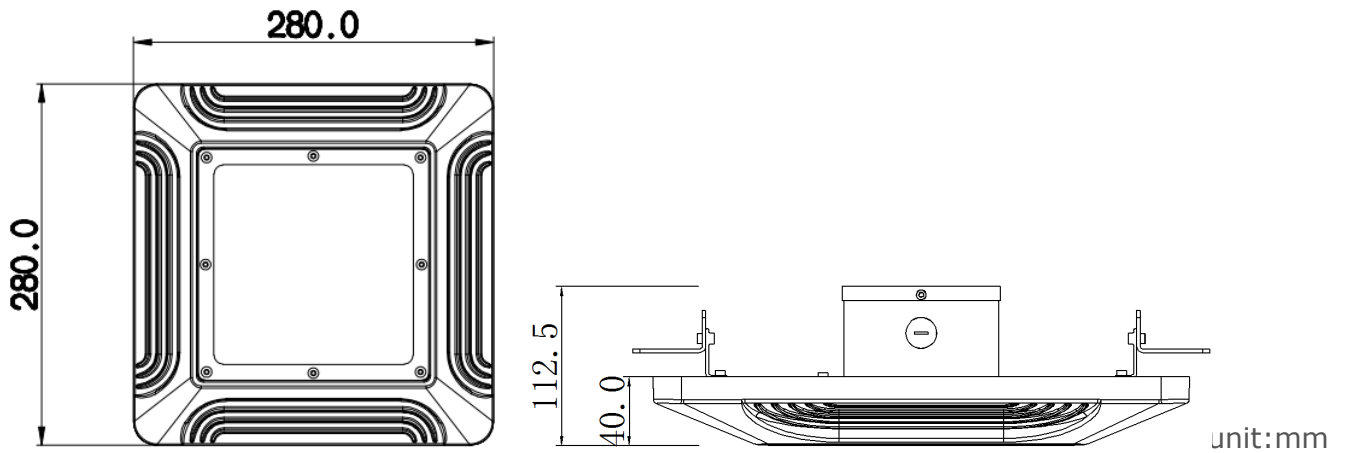
1. Horizontal and Vertical Installation available;
2. New housing design with much better heat dissipation.

Dimensions for FL-CP280 (Ceiling installation)

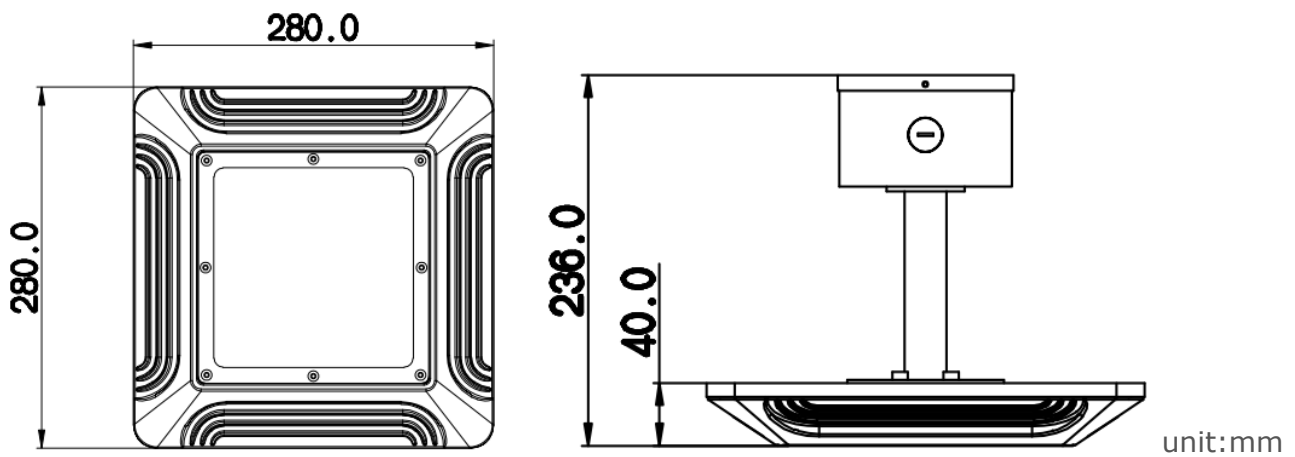


unit:mm

Dimensions for FL-CP280 (Recessed mount)



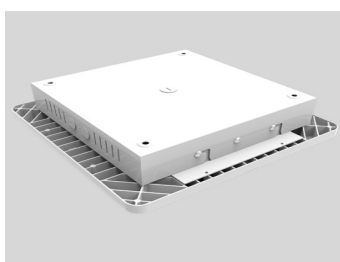
Dimensions for FL-CP280 (Power box ceiling installation)



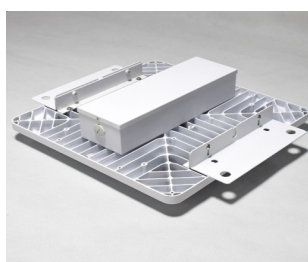
Ceiling installation Package: 1piece/carton

Item	FL-CP280-40W	FL-CP280-60W	FL-CP280-80W	FL-CP280-100W
Carton Size	330x330x205 mm	330x330x205 mm	330x330x205 mm	330x330x205 mm
Net Weight	3.6KG	3.7KG	3.8KG	3.8KG
Gross Weight	4.1KG	4.2KG	4.3KG	4.3KG

Bracket (Accessory) Option:



Model: Ceiling installation



Model: Recessed mount



Model: Power box ceiling installation

Applications:

