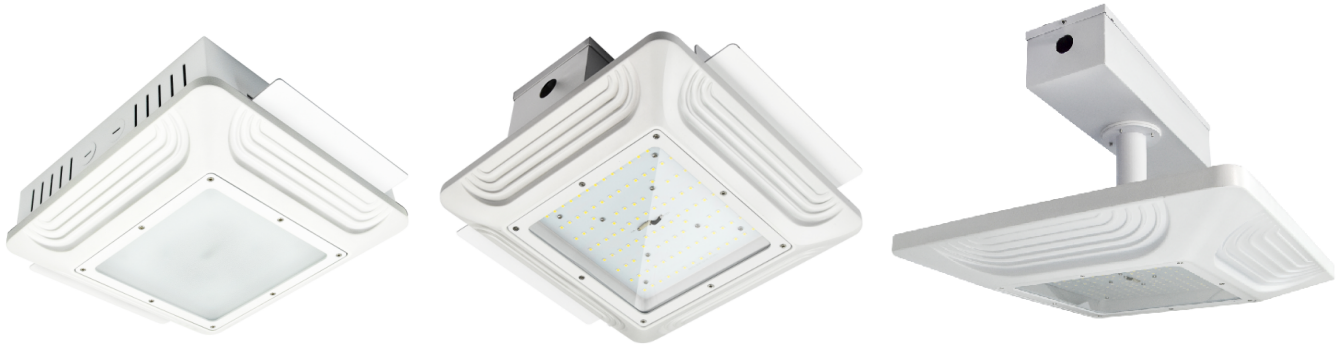


FLCP Series LED Canopy Light & Parking Garage Canopy Light Technical Parameters:



| Model NO. | Input Voltage | CCT | CRI | Power | Luminous Flux | PF | THD | IP |
|---------------|---------------|------------|-----|-------|---------------|-------|-------|------|
| FL-CP382-120W | AC100-277V | 2700-6500K | ≥72 | 120W | >13200lm | ≥0.95 | ≤ 15% | IP65 |
| FL-CP382-150W | AC100-277V | 2700-6500K | ≥72 | 150W | >16500lm | ≥0.95 | ≤ 15% | IP65 |
| FL-CP382-200W | AC100-277V | 2700-6500K | ≥72 | 200W | >22000lm | ≥0.95 | ≤ 15% | IP65 |

OSRAM 3030, Lumileds 3030

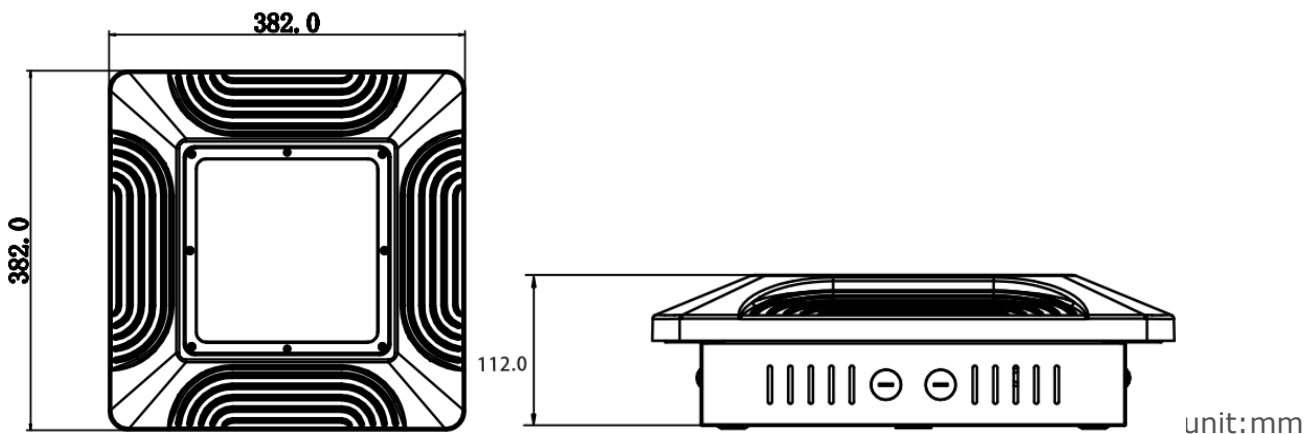
3030>130lm/w

(Note: the above flux at 3030, OSRAM Lumileds 3030 as a benchmark)

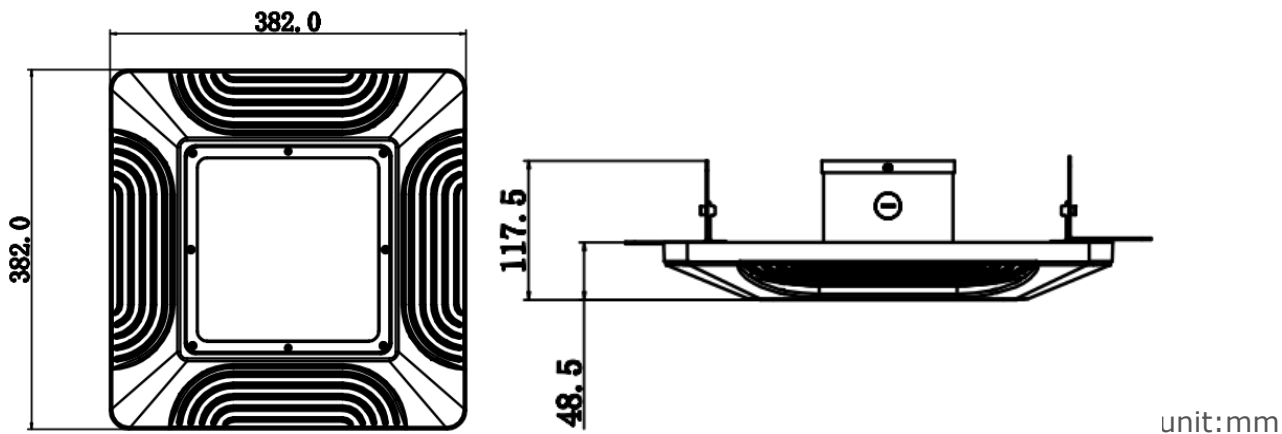
Key Features Different from other series:

1. Horizontal and Vertical Installation available;
2. New housing design with much better heat dissipation.

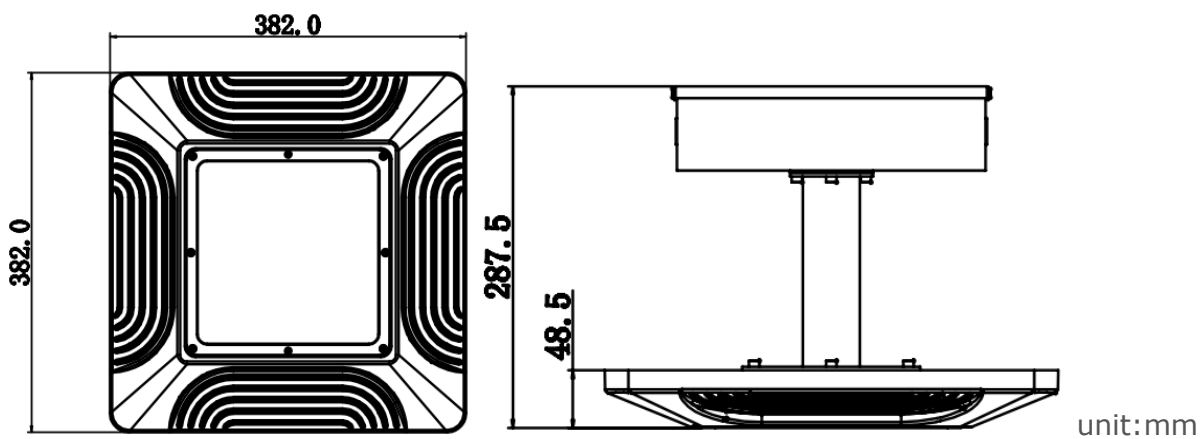
Dimensions for FL-CP382 (Ceiling installation)



Dimensions for FL-CP382 (Recessed mount)



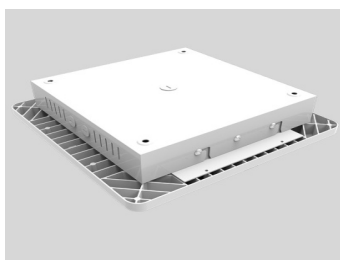
Dimensions for FL-CP382 (Power box ceiling installation)



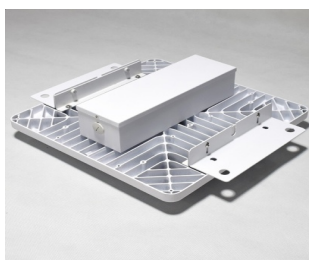
Ceiling installation Package: 1piece/carton

| Item | FL-CP382-120W | FL-CP382-150W | FL-CP382-200W |
|--------------|----------------|----------------|----------------|
| Carton Size | 445x445x215 mm | 445x445x215 mm | 445x445x215 mm |
| Net Weight | 5.6KG | 5.7KG | 5.9KG |
| Gross Weight | 6.2KG | 6.3KG | 6.5KG |

Bracket (Accessory) Option:



Model: Ceiling installation



Model: Recessed mount



Model: Power box ceiling installation

Applications:

