



**IP**  
**65**

# Emergency LED Driver

## LECV-UFO80D/R

10-40W max

100-277VAC



## APPLICATIONS

The INUI UFO8D/R Series LED emergency drivers are designed for use with UFO LED high bay fixtures with 0-10V dimmable LED drivers. It allows the LED UFO High Bay to be used for both normal and emergency operation.

# Product Details



## Features

- Easy wiring, directly connect to AC Input of LED highbay
- Constant power output
- Self testing function
- Standard EN61347-1, EN61347-2-7 EN61347-2-13
- For field installation and factory installation
- Built-in lithium battery, long life
- Temperature Rating (Ambient): 0°C to +50°C (32°F to 122°F).
- Battery protections: over voltage protection, over current protection, over temperature protection, over charge protection, over discharge protection, short circuit protection.
- Emergency time: 3 hours
- Warranty 2 years



## Specifications

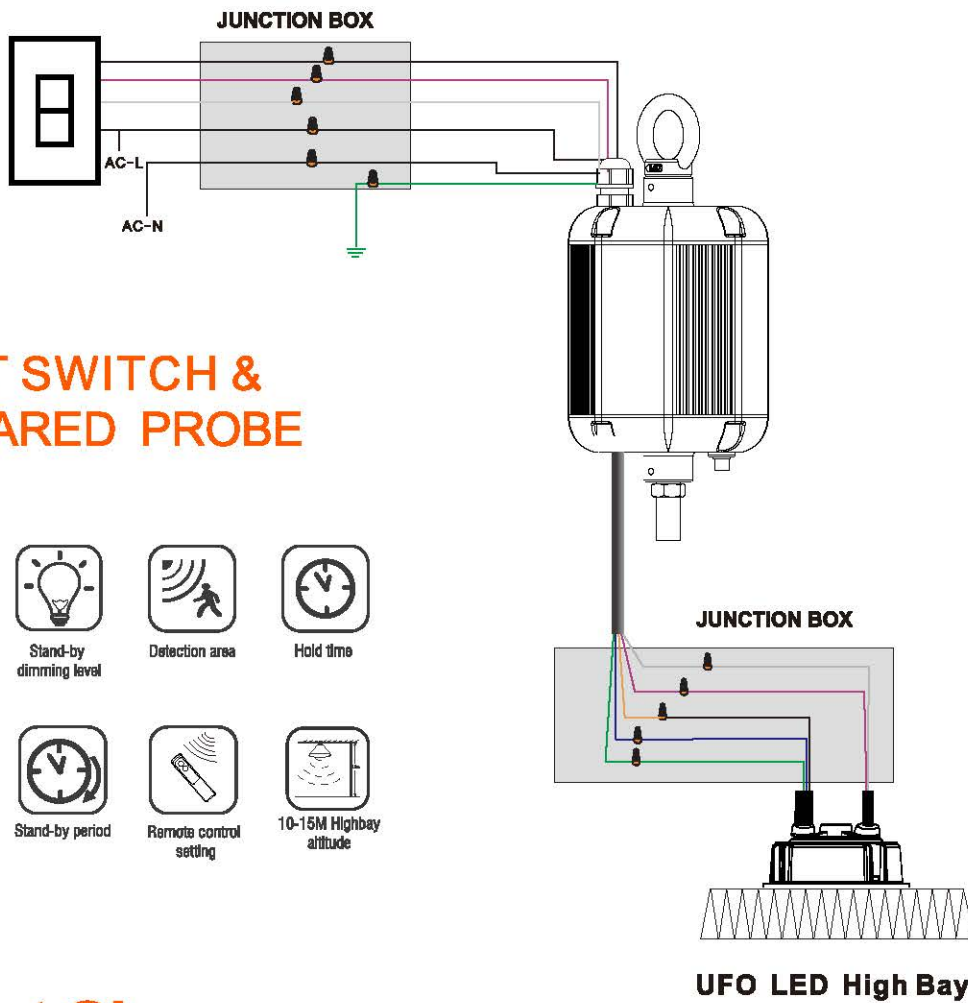
<b>Input Voltage</b>	100-277VAC, 50/60Hz	<b>Test Switch/Charging Indicator Light</b>	Remote Control
<b>Output Voltage</b>	120-180Vdc	<b>Battery</b>	Li-ion battery
<b>Input Current</b>	460mA max.	<b>Charging time</b>	≤ 24Hours
<b>Input Power</b>	15W max	<b>Output power</b>	□10W □15W □20W □25W □30W
<b>Emergency Time</b>	180Minutes	<b>Weight</b>	
<b>Warranty</b>	2 Years	<b>Dimensions</b>	
<b>Ambient Temp</b>	32-122 F(0-50°C )		

## Model NO.

Model NO	Input Voltage	Emergency power	Battery Capacity	Emergency Time
INUI-EM-100W	100-277V AC	10	29.6V/2000mAh	180Minutes
INUI-EM-100W	100-277V AC	15	29.6V/2000mAh	180Minutes
INUI-EM-150W	100-277V AC	20	29.6V/3000mAh	180Minutes
INUI-EM-200W	100-277V AC	25	29.6V/4000mAh	180Minutes
INUI-EM-250W	100-277V AC	30	29.6V/4000mAh	180Minutes

# Wiring Diagram

**Note: The emergency LED drivers only work with dimmable UFO LED Highbay**



## TEST SWITCH & INFRARED PROBE



On/off control



Stand-by dimming level



Detection area



Hold time



Daylight sensor



Stand-by period

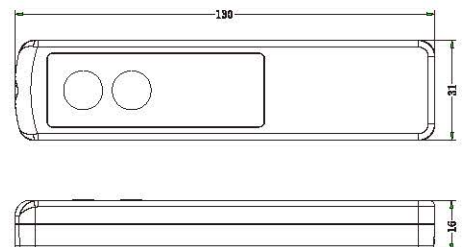
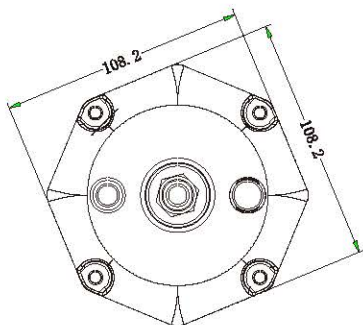
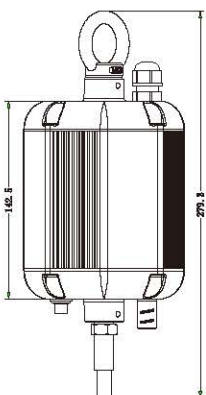


Remote control setting



10-15M Highbay altitude

## Product Size



# READ AND FOLLOW ALL SAFETY INSTRUCTIONS.

- Risk of fire or electric shock. Luminaire wiring and electrical parts may be damaged when drilling for installation of LED Emergency Backup. Check for enclosed wiring and components.
- Risk of fire or electric shock. This LED Emergency Backup installation requires knowledge of luminaires electrical systems. If not qualified, do not attempt installation. Contact a qualified electrician.
- Before installing, make certain the AC power to the fixture is off.
- The electrical rating of this product is 100–277Vac. Installer must confirm that there is 100–277Vac the fixture before installation.
- To prevent electrical shock, only mate unit connector after installation is complete and before the AC power to the fixture is back on.
- Do not use outdoors.
- This LED Emergency Backup unit requires an un-switched AC power source of 100–277Vac, 50/60Hz. The AC driver must be on the same branch circuit as the LED Emergency Backup unit.
- Do not let power supply cords touch hot surfaces.
- Do not mount near gas or electric heaters.
- Do not join battery pack connector until all other wiring is complete and AC power is on.
- The emergency LED driver is for use with grounded, UL listed LED luminaires, shall be enclosed by the LED luminaire and bonded to the grounding of LED luminaire.
- Verify that all replacement lamp types marked on the installed luminaire are also identified as suitable for use with this emergency battery pack.
- The battery pack is fixed by the screw and the indicator lamp is attached to the shell of the luminaire by 3M tape.
- Equipment should be mounted in locations and at heights where it will not be subjected to tampering by unauthorized personnel.
- The use of accessory equipment not recommended by the manufacturer may cause an unsafe condition.
- Do not use this equipment for other than its intended use.
- Use with grounded, UL Listed, dry or damp location rated fixtures.