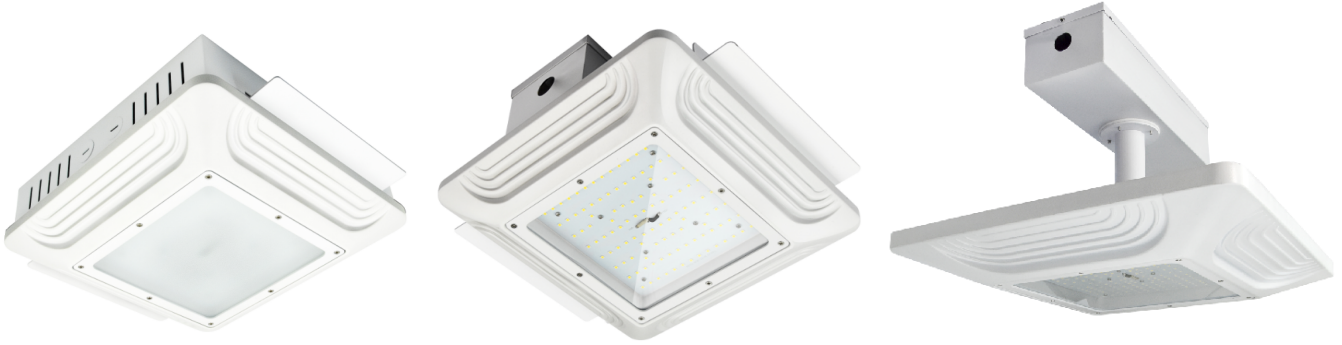


UVC Canopy Light Series Technical Parameters:

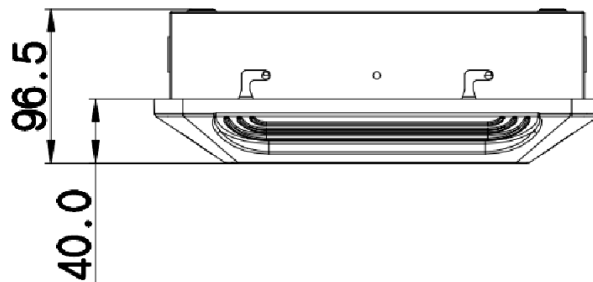
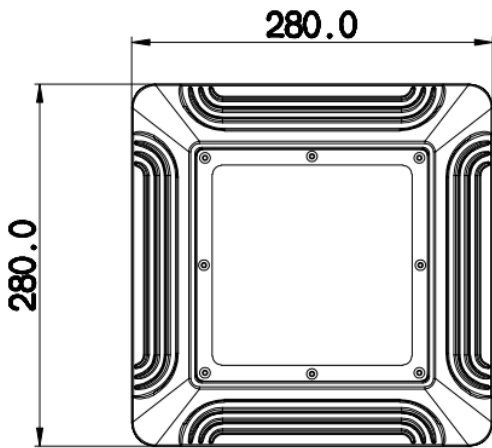


Model NO.	Input Voltage	CCT	CRI	Power	Luminous Flux	PF	THD	IP
UVC-120-120W	AC100-277V	275nm	n/a	120W	n/a	≥0.9	≤ 15%	IP65

Key Features Different from other series:

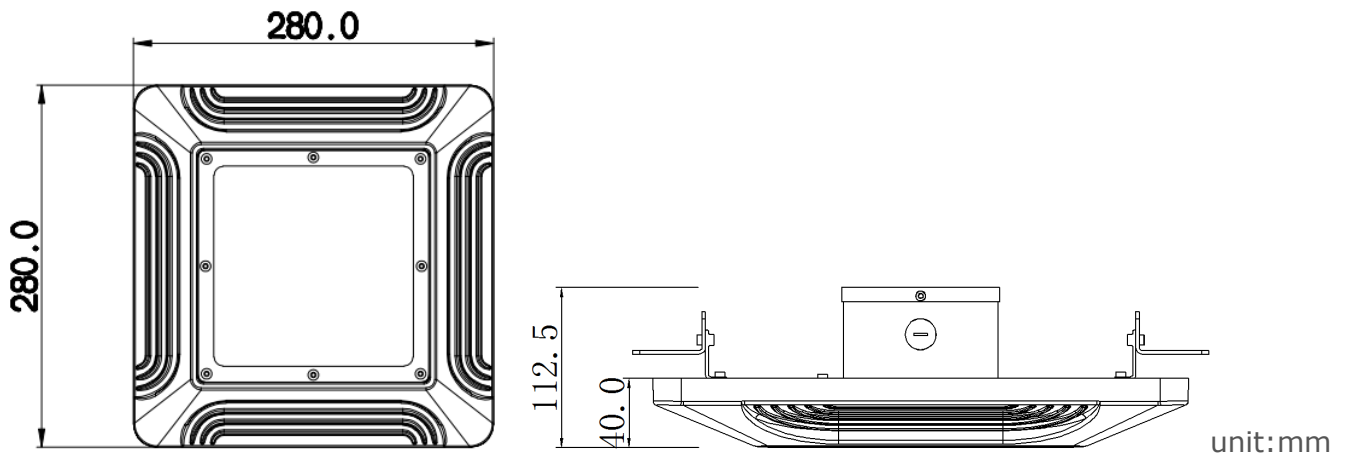
1. Horizontal and Vertical Installation available;
2. New housing design with much better heat dissipation.

Dimensions for UVC-120 (Ceiling installation)

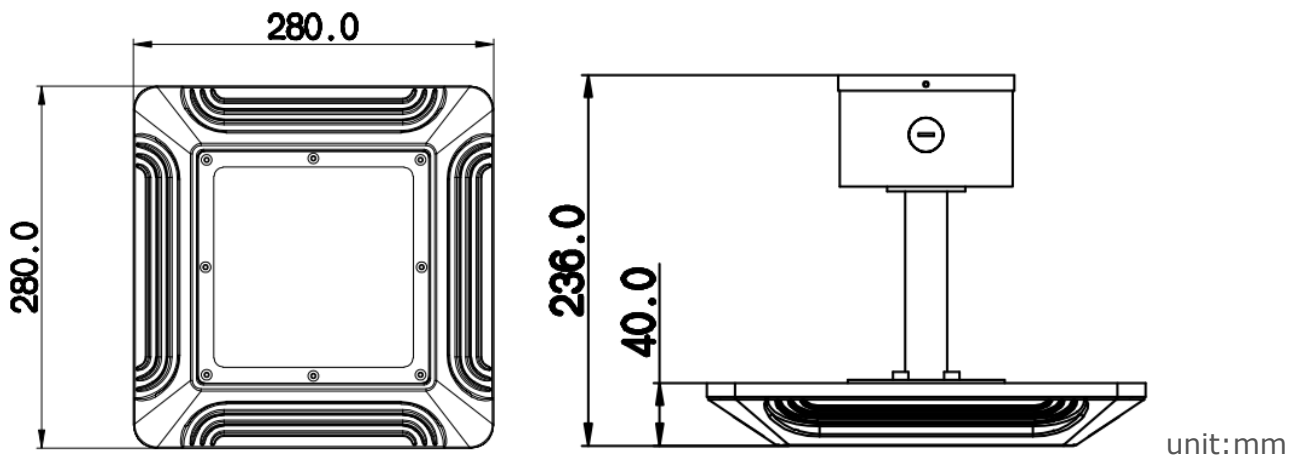


unit:mm

Dimensions for UVC-120 (Recessed mount)



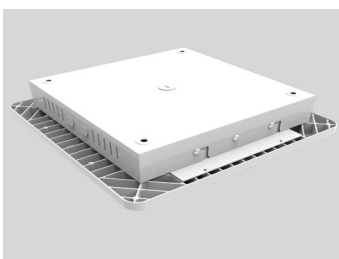
Dimensions for UVC-120 (Power box ceiling installation)



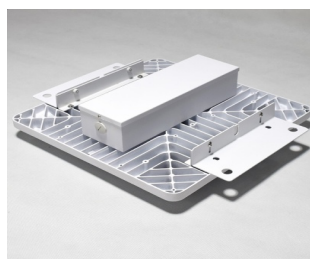
Ceiling installation Package: 1piece/carton

Item	UVC-120W
Carton Size	330x330x205 mm
Net Weight	3.6KG
Gross Weight	4.1KG

Bracket (Accessory) Option:



Model: Ceiling installation



Model: Recessed mount



Model: Power box ceiling installation