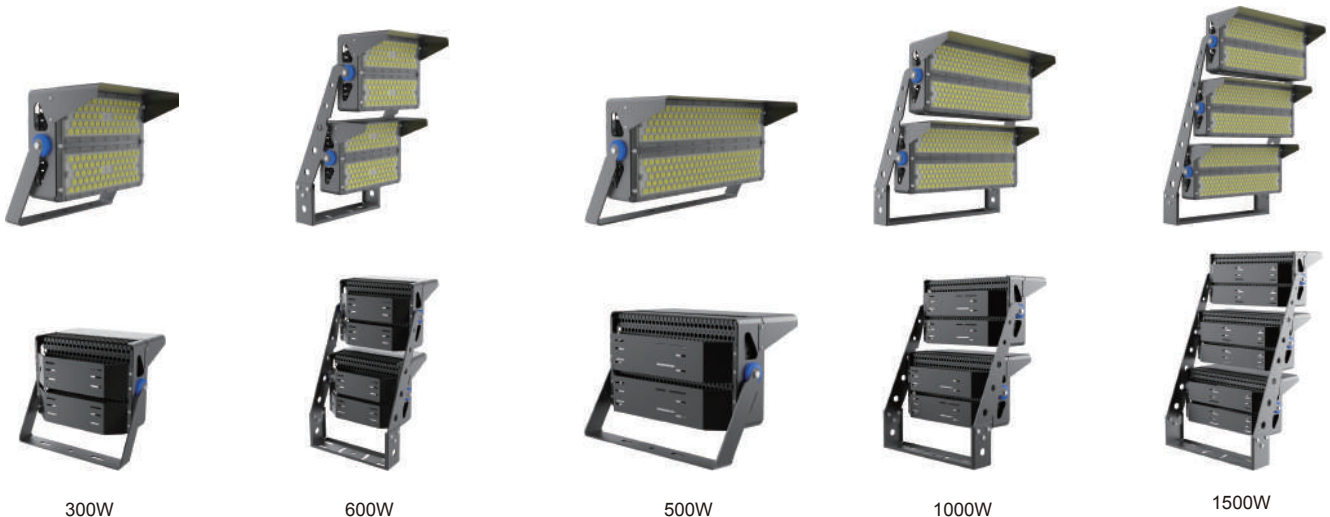


LED MODULAR SPORTS FLOOD LIGHT
Higher Lighting Efficiency
More Energy-Saving

Advantages

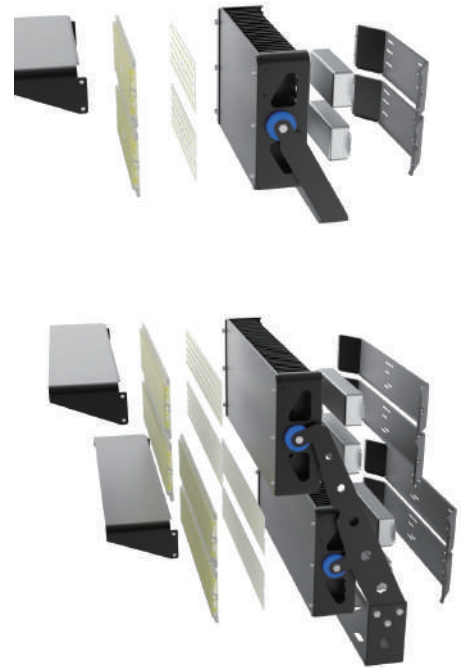


- 1. High brightness, Lumen output up to 200lm/w
- 2. Each single module can be rotated
- 3. Special structure design for better heat dissipation
- 4. Each module 300W/500W for difference applications
- 5. Powder coating on each surface for added external protection
- 6. CE RoHS certificated



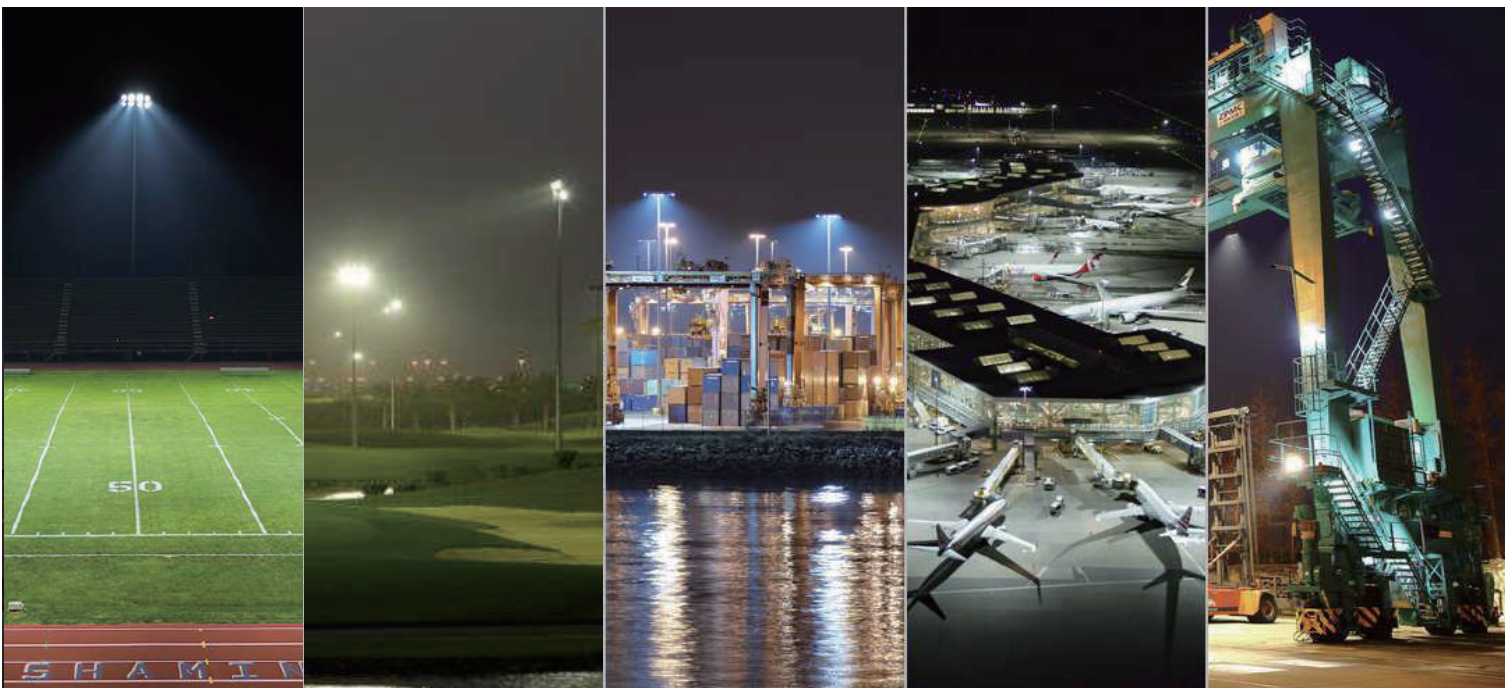
Features

1. Radiator With 1060 Aluminium, 99.6% aluminium content
2. Lightweight fin type cooling structure, light weight, high safety
3. Special structure design with super efficient heat dissipation
4. PC lens, beam angles available:- 8/20/40/60/90/P50/100x140degree
5. High light efficiency 12 chip packages 5050
6. Inventronics driver inside stability flicker free and efficiency
7. IP 66 protection, Anti-dust, anti-corrosion, anti-UV for outdoor usage
8. Wide CCT colour, from 3000K - 6500K, Ra > 70-80-90
9. Easy installation, rotatable module and rotatable brackets
10. Laser locator optional
11. Warranty 5-7 year



Application

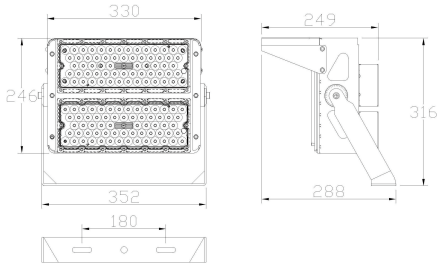
Sports lighting, Parking lot lighting, Wharf lighting, Airport lighting, Square field lighting etc.



Specifications

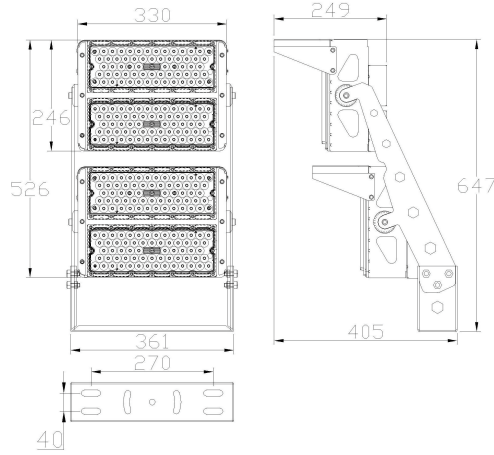
Model No.	Modular-300	Modular-600	Modular-500	Modular-1000	Modular-1500	/
LED QTY	128 pcs	2*128 pcs	252 pcs	2*252 pcs	3*252 pcs	/
Input Power	300W	600W	500W	1000W	1500W	/
Input Voltage	AC220-240V(100-277V\100-350V\277-480V optional)					
Frequency	50-60HZ					
Material	Housing:Aluminum alloy; Optics:Optical PC lens					
Finish	Powder coating					
Fixture Color	Black as standard (Silvery white,White customization)					
Driver Model	Inventronics					
Power Factor	>0.95					
Dimming	0-10V dimmable, Dali dimmable,DMX					
Surge Protection	10KV SPD / 20KV SPD (optional)					
Chip&Beam Angle	5050 -- 20°/ 40°/ 60°					
LED	Customize 12 chip packages 5050					
Light Efficiency	200lm/w (@5050 70Ra)					
CCT	3000K-6500K					
CRI	>70Ra (>80,>90 optional)					
Storage Temp	-50 to +60 °C					
Working Temp	-45 to +50 °C					
Life Span	L70/B10 >100,000hours					
IK Class	IK09					
IP Class	IP66					
Warranty	5 Years / 7 years extended warranty available					

Dimension



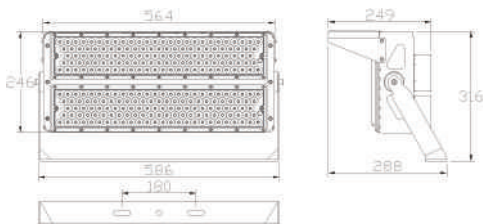
Modular-300

No Visor	
Length (mm)	316mm
Width (mm)	352mm
Height (mm)	143mm



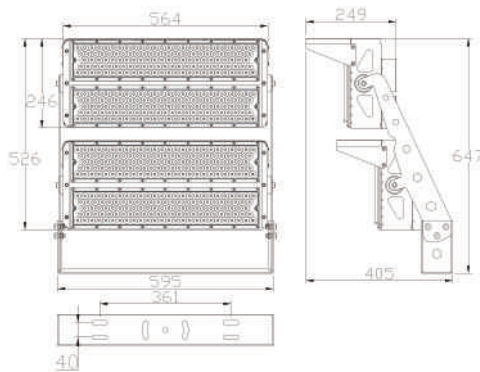
Modular-600

No Visor	
Length (mm)	647mm
Width (mm)	361mm
Height (mm)	143mm



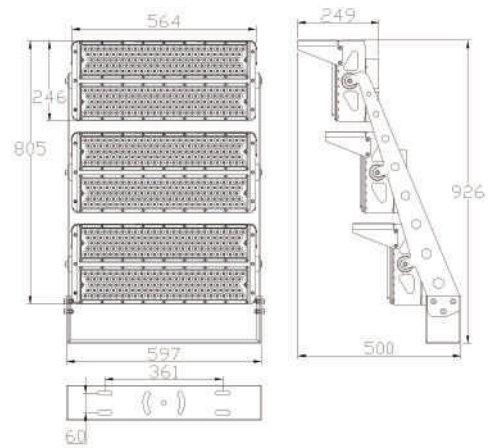
Modular-500

No Visor	
Length (mm)	316mm
Width (mm)	586mm
Height (mm)	143mm



Modular-1000

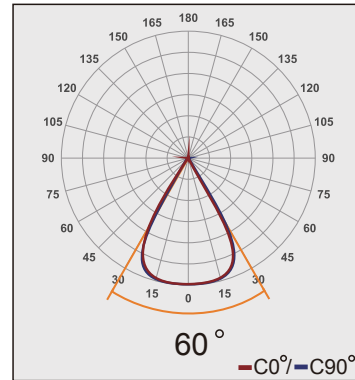
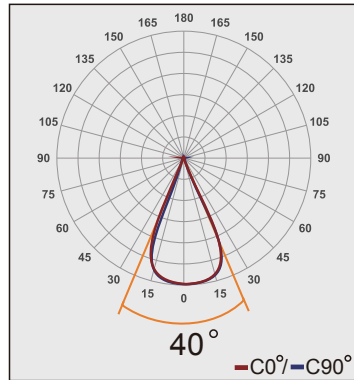
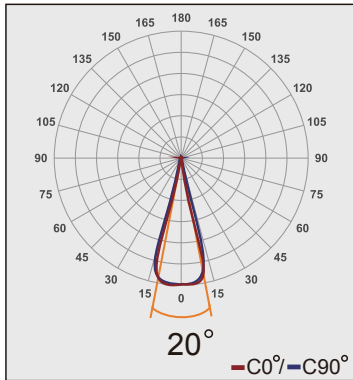
No Visor	
Length (mm)	647mm
Width (mm)	595mm
Height (mm)	143mm



Modular-1500

No Visor	
Length (mm)	926mm
Width (mm)	597mm
Height (mm)	143mm

Light Distribution



Packing Details

No Visor

Model No.	Modular-300	Modular-600	Modular-500	Modular-1000	Modular-1500
Length (mm)	420mm	650mm	670mm	680mm	940mm
Width (mm)	360mm	420mm	360mm	650mm	680mm
Height (mm)	220mm	220mm	220mm	220mm	220mm
Quantity/Carton	1pcs/carton	1pc/carton	1pc/carton	1pc/carton	1pc/carton
Net Weight(Kg)	8.0Kg	18.0Kg	11.1Kg	24.2Kg	35.8Kg
Gross Weight(Kg)	9.5Kg	20.0Kg	13.0Kg	26.4Kg	38.4Kg