



PGS SERIES

LED SPORTS LIGHTING

420W-1260W



INUI SPECIFICALLY DESIGNED PLC (PRECISE LIGHT CONTROL) TO MEET THE NEEDS OF SUCH USERS, POLARIZED LIGHT 73° DEFINED AS PGS SERIES PRODUCTS, PGS SERIES PRODUCTS BRING YOU AN UNPRE-CEDENTED VISUAL FEAST.

PREFACE



1. BEST EXPERIENCE

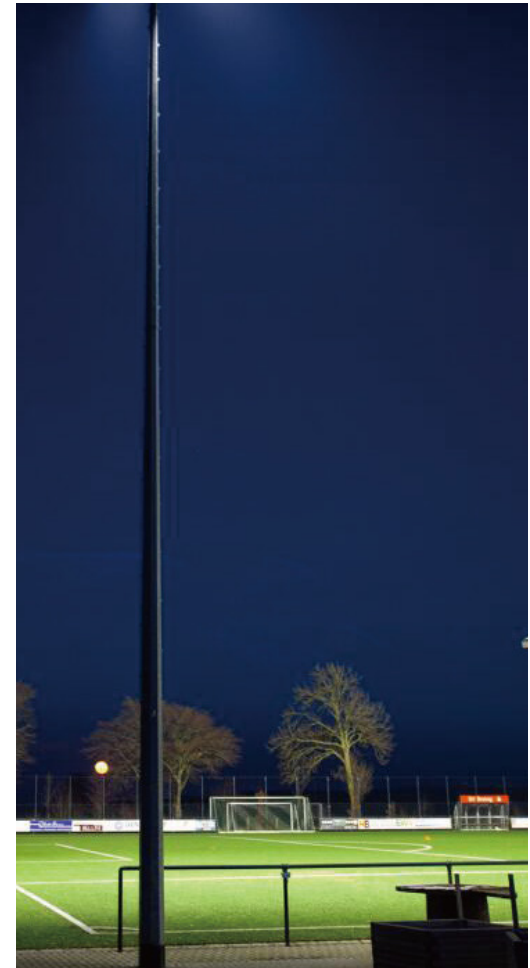
With the craze of sport games in the night, and more professional events are played at night, people desire for lighting to play at the very beginning so now people more concern about the quality of lighting, we believe that the glare produced by ordinary lamps can no longer meet the athletes' pursuit of sensory experience. But now, thanks to developments in INUI's sports lighting technology, our precise control and anti-glare lighting makes it possible for sports men and women to perform at their best and enjoy the best sports experience.

2.DAMAGE FROM LIGHT POLLUTION

There is increasing concern for the problems created by unwanted light at night, such as light pollution and light trespass, result in various types of complaints. Particularly with increasing awareness of environmental problems of all types, it is important that lighting designers recognize the need to control problems related to the general subjects of "Light Pollution" and "Light Trespass." So we have tried every effort to develop a newest optical technology to solve the problem.

CONTENTS

- ▼ PRODUCT INTRODUCTION
- ▼ PRECISE CONTROL OF LIGHT
- ▼ REMOTE DRIVER
- ▼ EASY INSTALLATION
- ▼ SAFETY
- ▼ APPLICATION



OVERVIEW

HOUSING

Aluminium alloy housing, corrosion resistant treatment. Modular design allows for easy installation, replacement and maintenance. Slim & light profile design that minimizes wind load. IK10&IP66 rated.

OPTICS

Precision optics place light on target area with accurate control, super evenly lighting effect. Reflective panels are used to reduce glare while minimal effect on light output. Perfect glare control.



BRACKET SCALEPLATE

The bracket with scaleplate of angle and scale, easy to adjust any installation angle.

DRIVER

With built-in or remote driver capabilities, this luminaire gives additional flexibility to fit into a variety of indoor and outdoor applications. DMX, DALI, 0-10V, 1-10V flexible for different requirements of events.



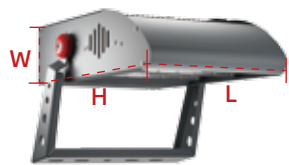
TECHNICAL PARAMETERS

Model	Wattage	CCT	CRI	Beam Angle	Power Supply	Dimming	Input Voltage	Weight
PGS	420W	3000K/	70/	15°/	Inventronics/	None /	200-480V AC/	14 KG
	630W	4000K/	80/	30°/	Meanwell	0-10V /	100-277V AC	17 KG
	840W	5000K/	90+	60°/		DALI /		24 KG
	1060W	5700K/		45*95°		DMX		29 KG
	1260W	6500K						29 KG

Driver Type | Built-in /external

* The built-in power supply is conventional, and the external power supply needs to be customized

DIMENSION



420W

340x150.5x570 mm
(L*W*H)



630W

340x150.5x720 mm
(L*W*H)



840W

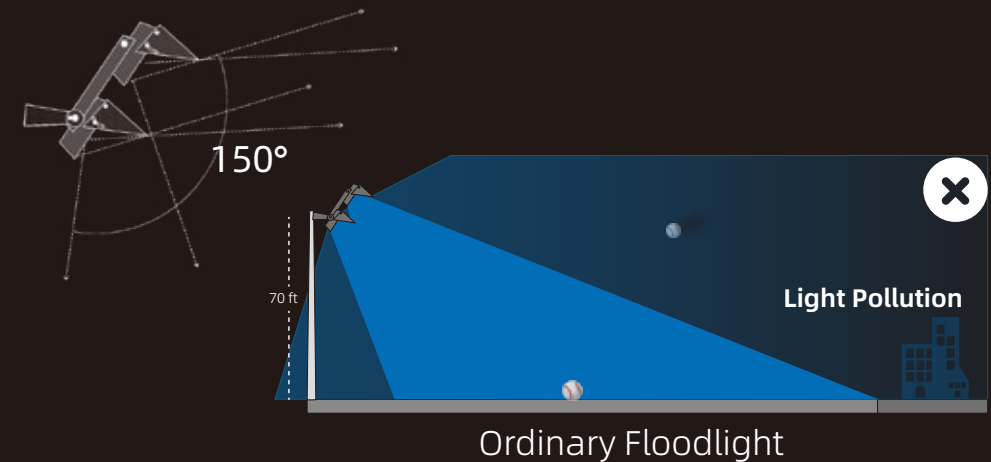
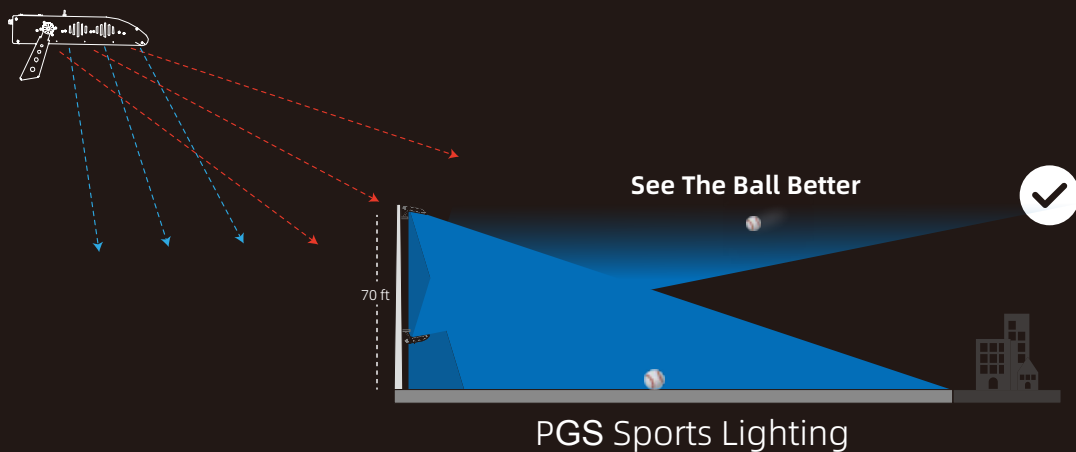
643x150.5x570 mm
(L*W*H)



1060W/1260W

643x150.5x720 mm
(L*W*H)

PRECISE CONTROL OF LIGHT 1 -OPTICS 10X BETTER



PGS

Our precisely engineered optics of polarized light aim light directly onto the field of play, to shine uniformly and to minimize glare. Outdoor venues benefit from spill light control, no more skyglow and no more complaints from the neighbours.

COMPETITORS

1. Such light shield is useless, just misleading customers.
2. As tested it will cause 30% reduction of light output
3. While 70% still have high overflow
4. Unbearable strong glare
5. Waste energy, outdated reflective technology

PRECISE CONTROL OF LIGHT 1 -OPTICS 10X BETTER

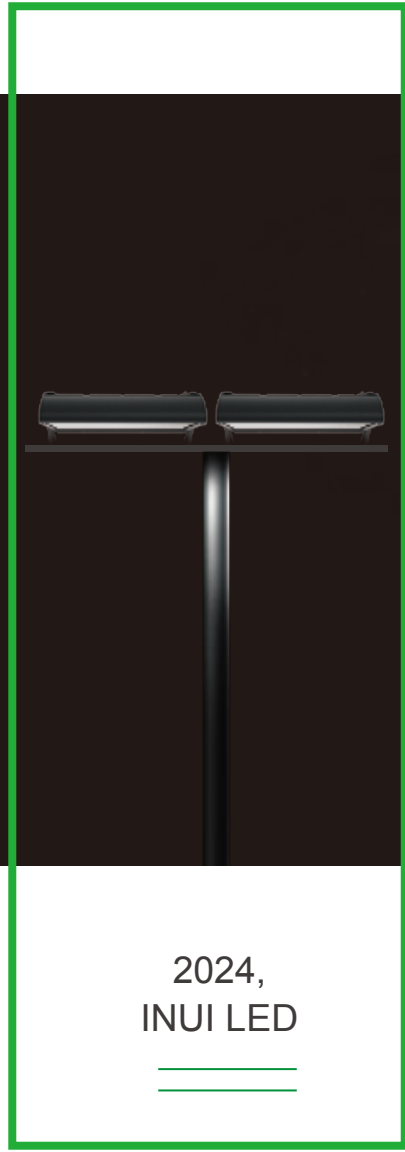
Improve energy efficiency and reduce light pollution



1980,
TRADITIONAL MH



2000,
UPGRADED MH



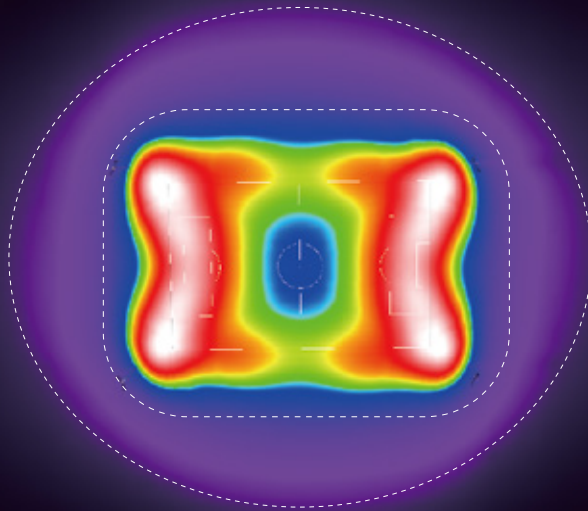
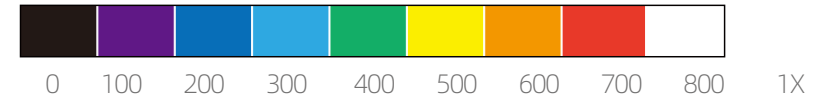
2024,
INUI LED



2022,
COMMONLY LED



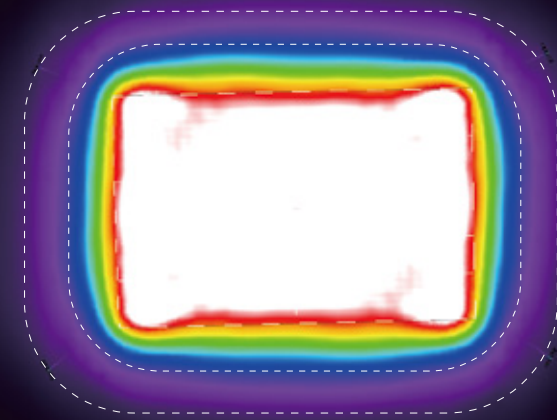
PRECISE CONTROL OF LIGHT 2 -SIMULATION DESIGN



COMPETITORS

The competitors' lighting system may provide initial light levels, but difficult to contain illumination to the field, This presents challenges in reducing the spill light surrounding the field

VS

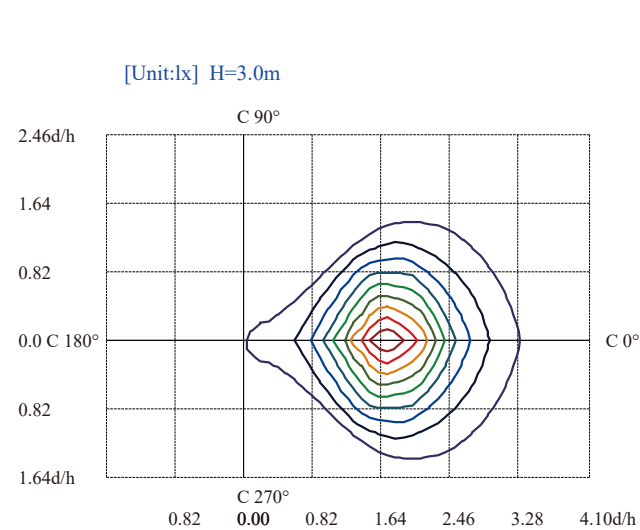


OUR LIGHT

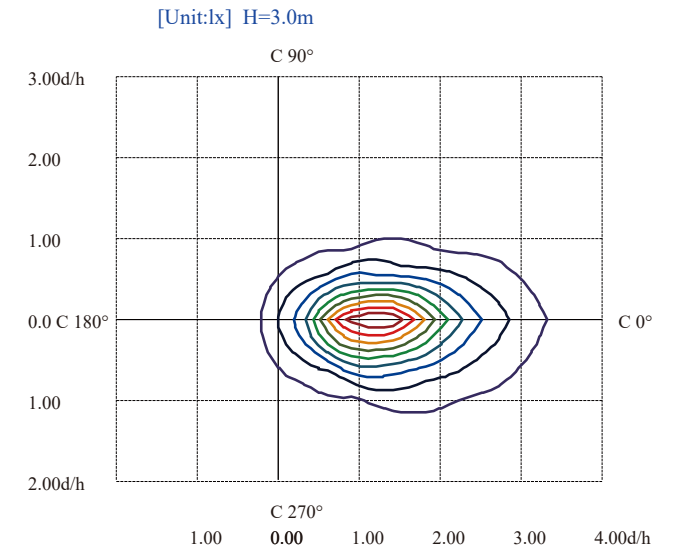
Our PGS lighting system providing the perfect combination of optical accuracy and cutoff. When aimed on the field, this results in excellent light levels and uniformity throughout the life of the system, as well as a significant control in spill light.

PRECISE CONTROL OF LIGHT 3 -LIGHTING PATTERN

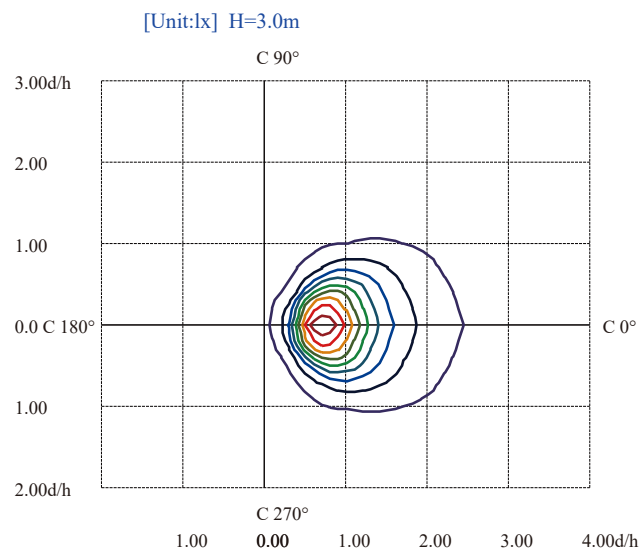
Different lighting patterns are designed to meet the needs of all different sites and create unprecedented venue lighting.



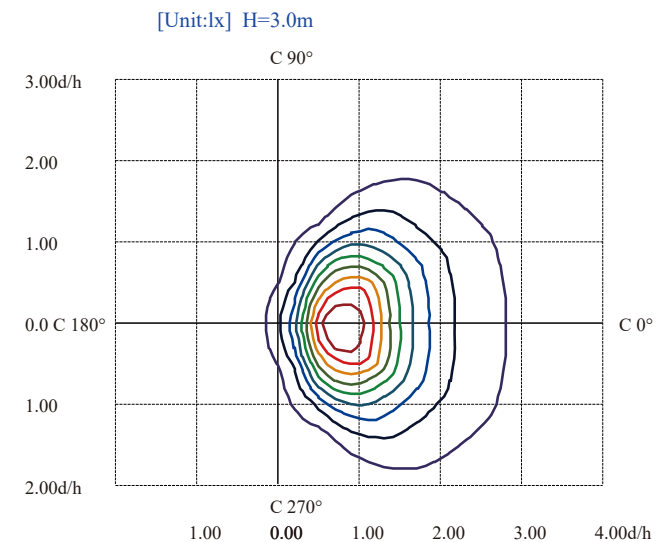
15°



30°



60°



45°*95°

REMOTE DRIVER

The power supply and lamp body can be mounted separately, reducing the withstand weight of the lamp pole and facilitating maintenance.



CONVENIENT INSTALLATION 1 -ACCURATE INSTALLATION ANGLE



Driver Type-Built-in

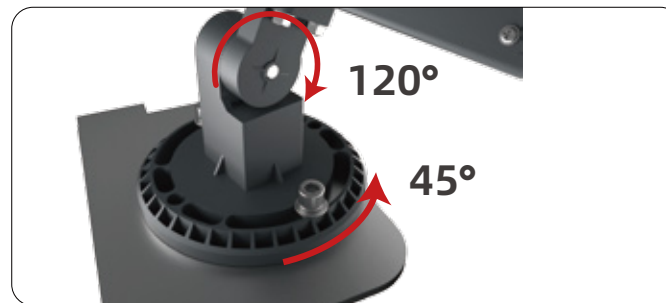


360°

Just one tool free adjustment.
Installation angle can be easily
adjusted to the needed angle
by the scaleplate.



Driver Type-external



120°

45°

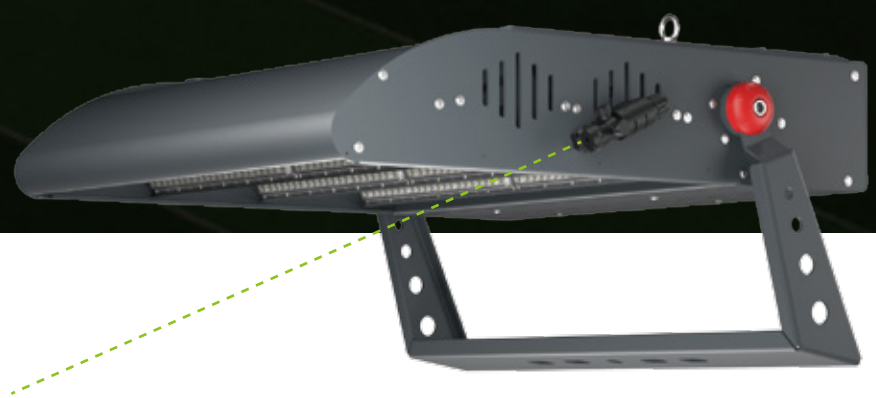
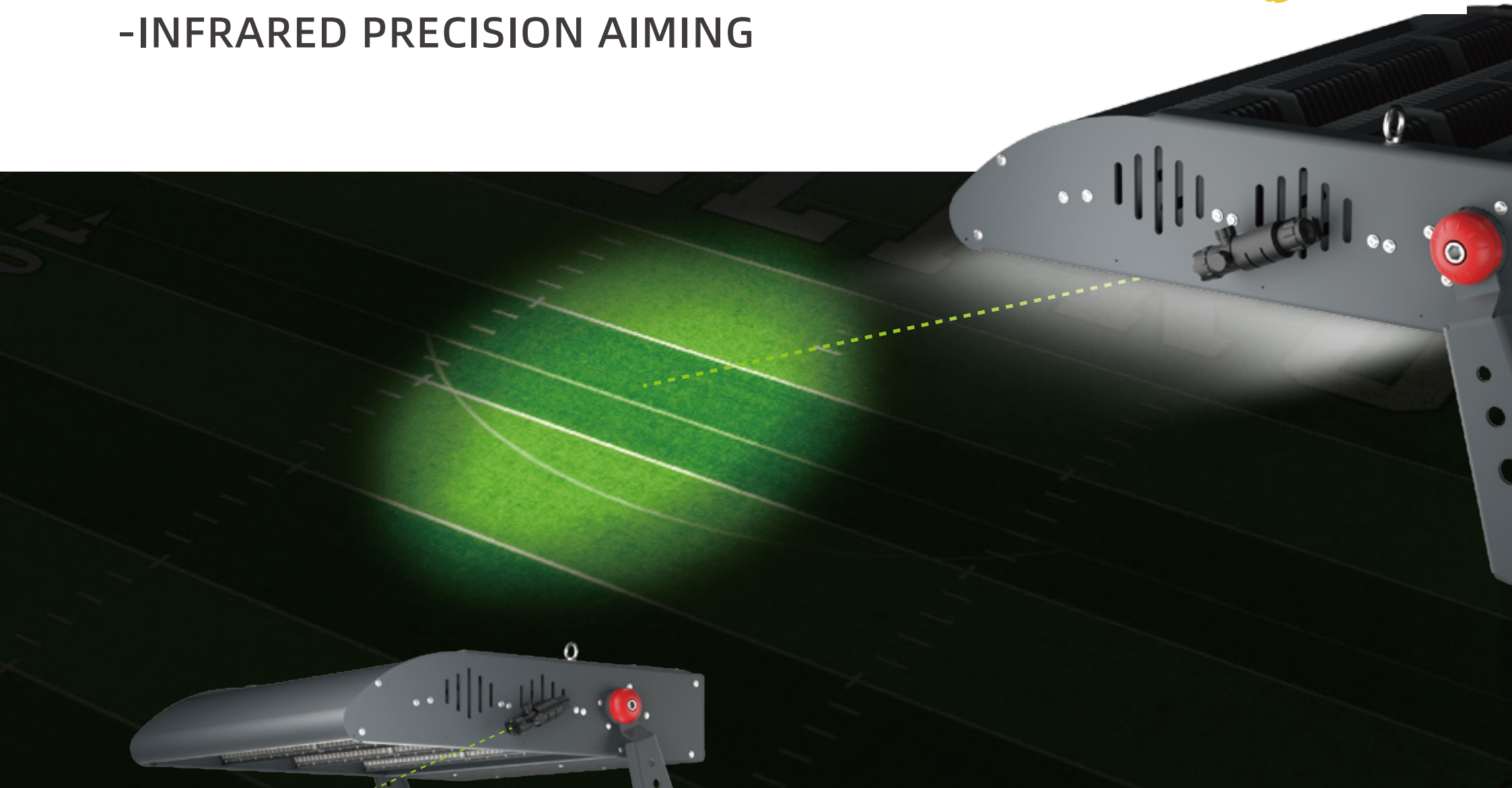


Optional laser pointer

(Driver Type-external)

Optional adapter

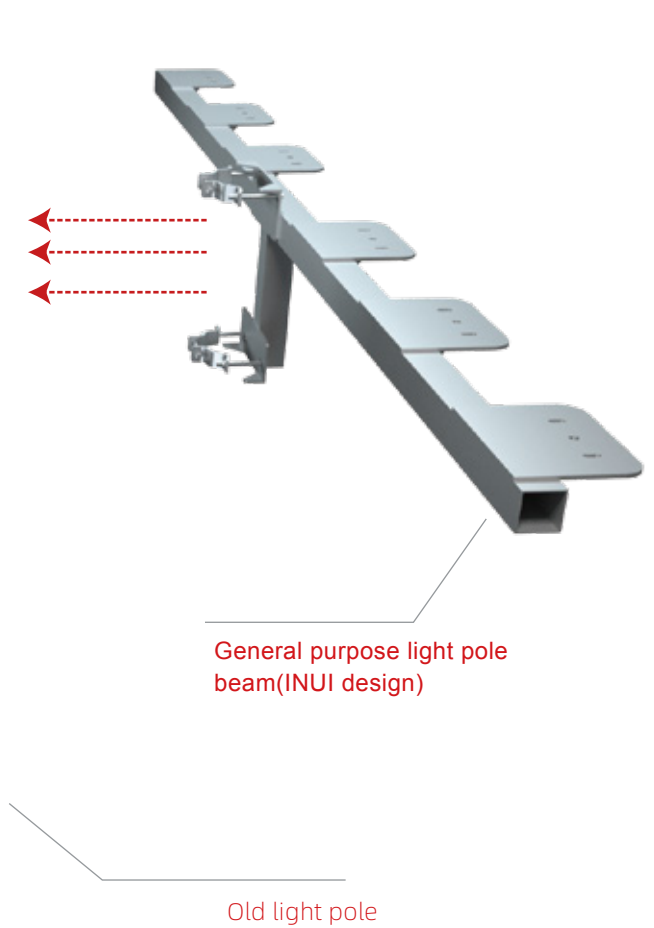
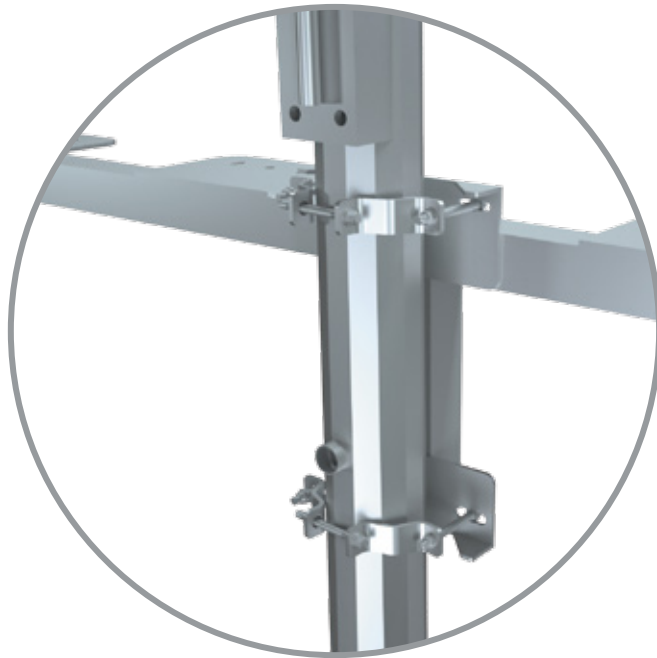
CONVENIENT INSTALLATION 2 -INFRARED PRECISION AIMING



Laser pen assists with targeting position, improve the uniformity.

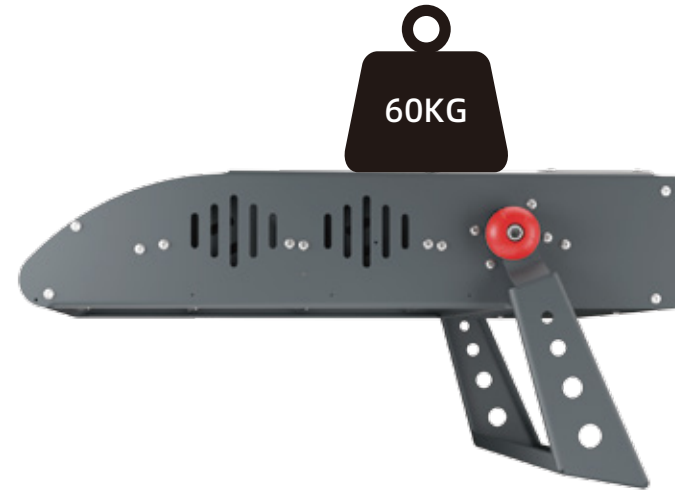
CONVENIENT INSTALLATION 3 -EASY CROSS-ARM REPLACEMENT

Customised cross-arms are available to meet all your existing old poles without replacing the main rod, cross-arms bolt directly to light pole, easy and accurate installation saves time, ensures performance, safety and reliability, also lower the budget.

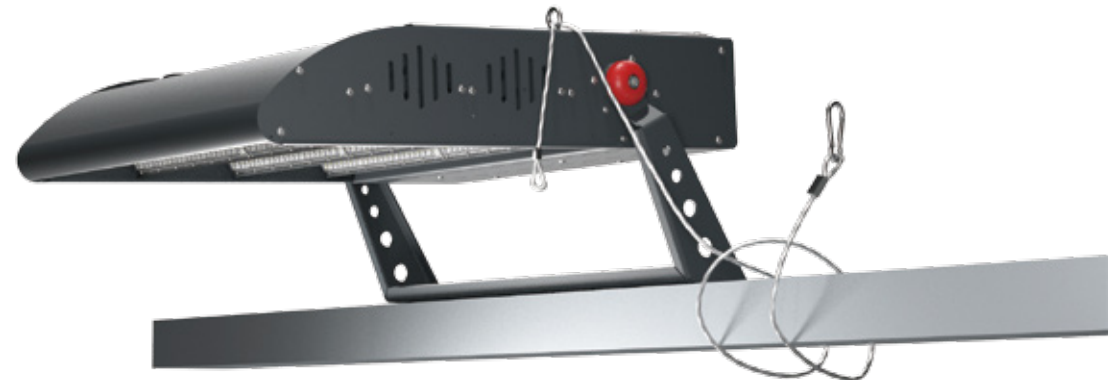


SAFETY

High toughness bracket design, can support more than 10 times the weight of lamps



Safety rope, double protection



APPLICATION

Applied in all types sports fields, football, basketball, golf and tennis court, racetrack, packing lot, playground, tower, high mast etc.

