



INUI - LED MODULAR SPORTS STADIUM LIGHT

Higher Lighting Efficiency More Energy-Saving

Advantages



1. High brightness, Lumen output up-to 160lm/w
2. OEM brand logo nameplate
3. Special structure design for better heat dissipation
4. Each module is 250W for variable applications
5. Outdoor powder coating on surface process
6. UKCA,CE ,RoHS certificated



Modular-250



Modular-500



Modular-750



Modular-1000



Modular-1250



Modular-1500



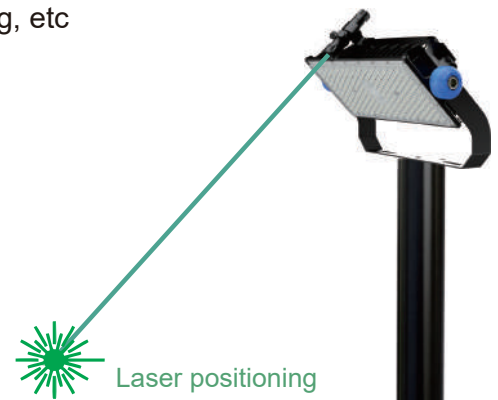
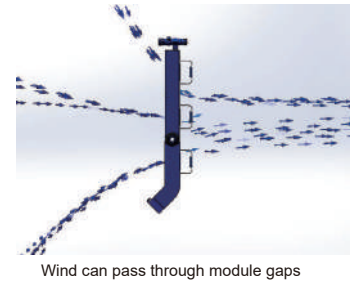
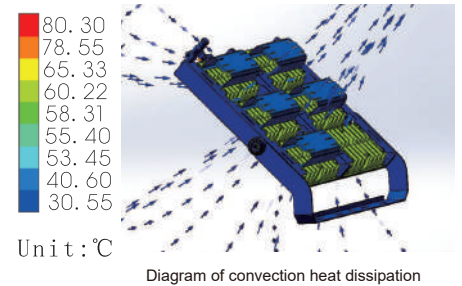
Modular-2000



Modular-2500

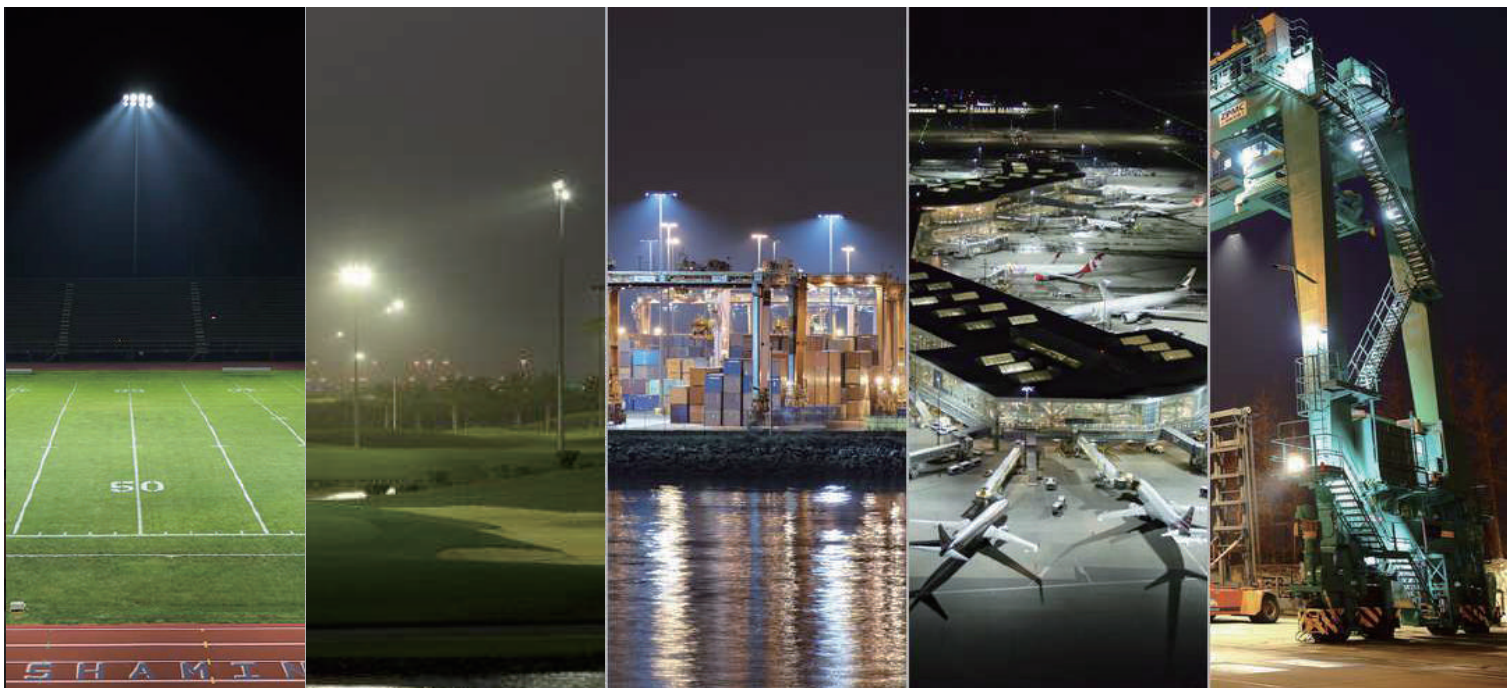
Features

1. ADC12 Die-cast aluminium heat-sink with efficiency of up to 96W/ M.K.
2. Each module is 250W for optimum choice
3. Strong bracket, for a more solid installation
4. PC lens, Beam angle from 15/30/45/60/90 degree options
5. Lumileds SMD3030 LED high brightness with 100,000 hours life
6. Meanwell driver for high stability and efficiency
7. IP 66 protection, Anti-dust, anti-corrosion, anti-UV, outdoor usage
8. Wide CCT colour, from 3000K - 6500K, Ra > 70-80-90
9. Easy installation, rotatable module and rotatable brackets
10. Widely used on stadium lighting, high mast lighting, airport lighting, etc
11. Laser pointer for precise aiming
12. Warranty 5- with a 10 year option



Application

Sports stadium lighting, High mast lighting, Airport lighting etc



Specifications

Model No.	Modular-250	Modular-500	Modular-750	Modular-1000	Modular-1250	Modular-1500
LED QTY	336 pcs	2*336 pcs	3*336 pcs	4*336 pcs	5*336 pcs	6*336 pcs
Input Power	120W	250W	750W	1000W	1250W	1500W
Input Voltage	AC100-350V		DC142-431V			
Frequency	47-63HZ					
Material	Housing:Die-casting aluminium; Optics:Optical PC lens					
Finish	Powder coating					
Fixture Colour	Matte Black(other customization)					
Driver Model	Meanwell					
Power Factor	>0.97					
Dimming	0-10V dimmable, Dali dimmable					
Surge Protection	10KV SPD / 20KV SPD (optional)					
Chip&Beam Angle	Lumileds 3030--30°/45°/60°/90°					
Chip&Beam Angle	CREE 3535 --15°					
Light Efficiency	140-160lm/w					
CCT	3000K-6500K					
CRI	>70Ra (>80,>90 optional)					
Storage Temp	-50 to +60 °C					
Working Temp	-45 to +50°C					
Heatsink Temp	-5 to 70°C					
Life Span	L70/B10 >100,000hours					
IP Class	IP66					
Warranty	5 Years / 10 years extended warranty available					

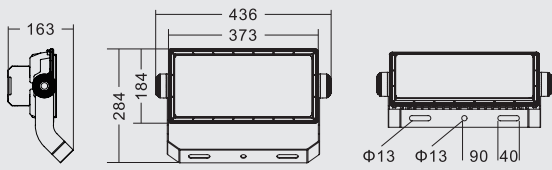
Specifications

Model No.	Modular-2000	Modular-2500	//	//	//	//
LED QTY	8*336 pcs	10*336 pcs	//	//	//	//
Input Power	2000W	2500W	//	//	//	//
Input Voltage			AC100-350V	DC142-431V		
Frequency	47-63HZ					
Material	Housing:Die-casting aluminium; Optics:Optical PC lens					
Finish	Powder coating					
Fixture Colour	Matte Black(other customization)					
Driver Model	Meanwell					
Power Factor	>0.97					
Dimming	0-10V dimmable, Dali dimmable					
Surge Protection	10KV SPD / 20KV SPD (optional)					
Chip&Beam Angle	Lumileds 3030--30°/45°/60°/90°					
Chip&Beam Angle	CREE 3535 --15°					
Light Efficiency	140-160lm/w					
CCT	3000K-6500K					
CRI	>70Ra (>80,>90 optional)					
Storage Temp	-50 to +60 °C					
Working Temp	-45 to +50 °C					
Heatsink Temp	-5 to 70 °C					
Life Span	L70/B10 >100,000hours					
IP Class	IP66					
Warranty	5 Years / 10 years extended warranty available					

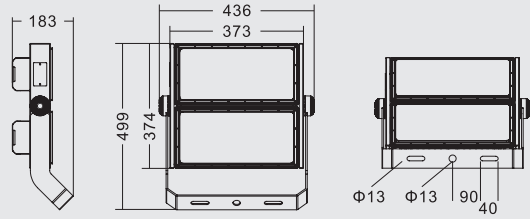
Dimension

unit: mm

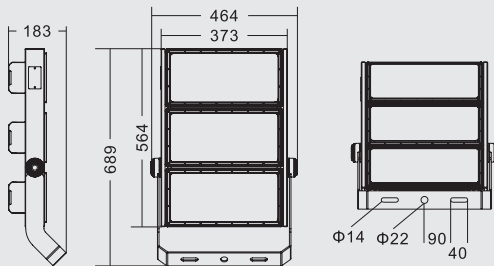
250W



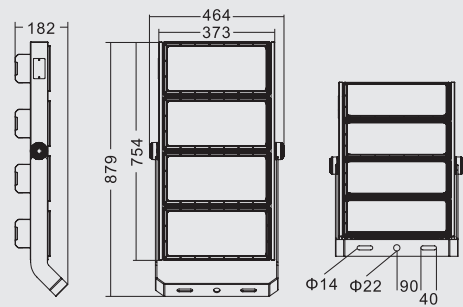
500W



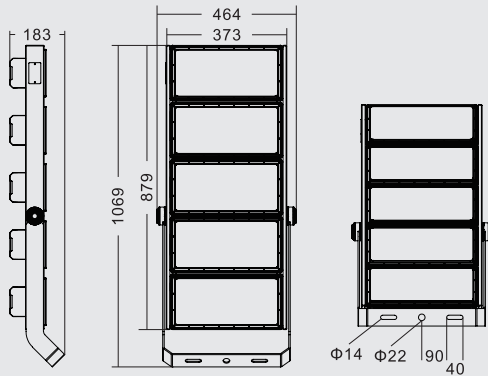
750W



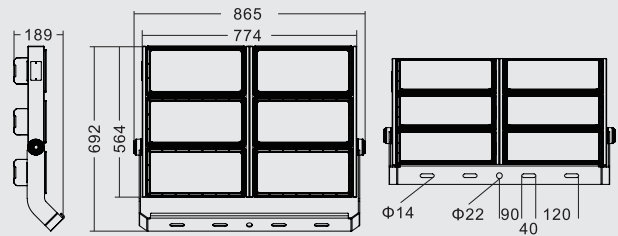
1000W



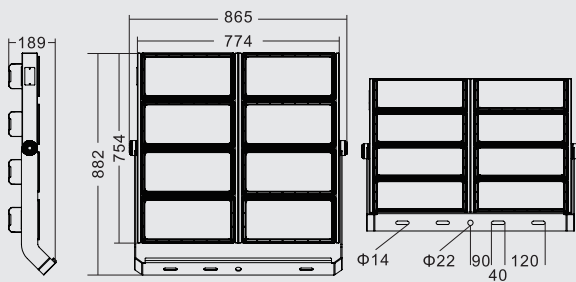
1250W



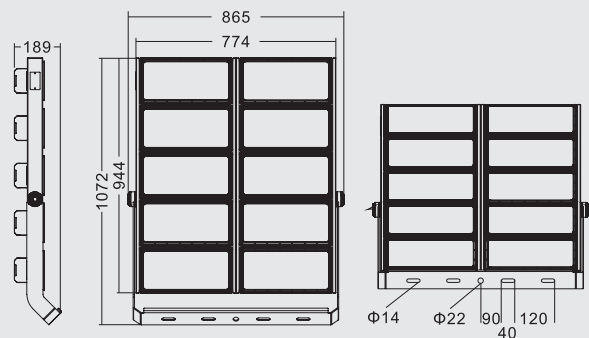
1500W



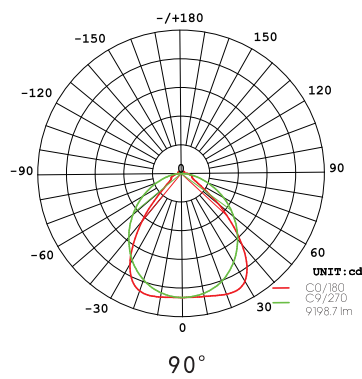
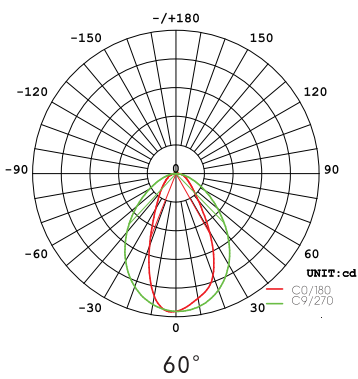
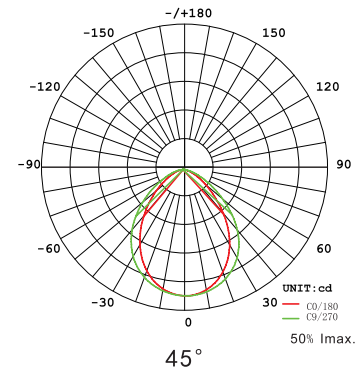
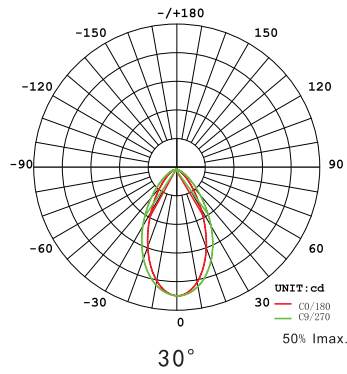
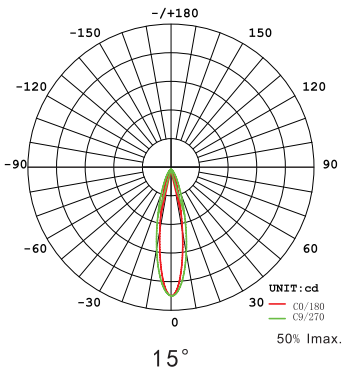
2000W



2500W



Light Distribution



Packing Details

Model No.	Modular-250	Modular-500	Modular-750	Modular-1000	Modular-1250	Modular-1500
Length (mm)	330mm	520mm	710mm	900mm	1090mm	710mm
Width (mm)	430mm	490mm	490mm	490mm	490mm	910mm
Height (mm)	170mm	180mm	180mm	180mm	180mm	180mm
Quantity/Carton	1pcs/carton	1pc/carton	1pc/carton	1pc/carton	1pc/carton	1pc/carton
Net Weight(Kg)	5.9Kg	13.9Kg	19.3Kg	24.9Kg	30.5Kg	38.6Kg
Gross Weight(Kg)	6.9Kg	15.2Kg	20.8Kg	26.4Kg	32.5Kg	41.0Kg

Model No.	Modular-2000	Modular-2500
Length (mm)	900mm	1090mm
Width (mm)	910mm	910mm
Height (mm)	180mm	180mm
Quantity/Carton	1pcs/carton	1pc/carton
Net Weight(Kg)	50.5Kg	61.5Kg
Gross Weight(Kg)	52.5Kg	63.7Kg