

MGF Series LED Explosion proof Flood Light

INUI
hazardous locations



- Available from 20W (2,000lm) - 200W (24,000lm)
- Offered with 3 mounting options: U-bracket, wall mount, slipfitter mount
- Type II, III, IV, V and Forward Throw distributions
- 1-10V Dimming, standard
- Motion sensor, photocell and Controller options available
- 100,000+Hours LED lifespan

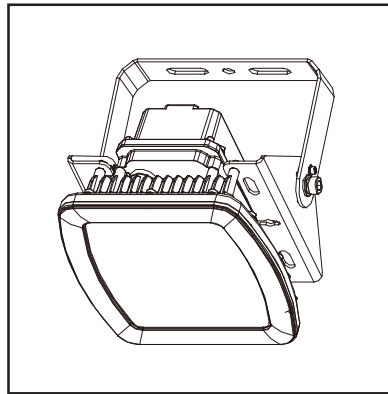


INUI's warranty is subject to all terms and conditions.

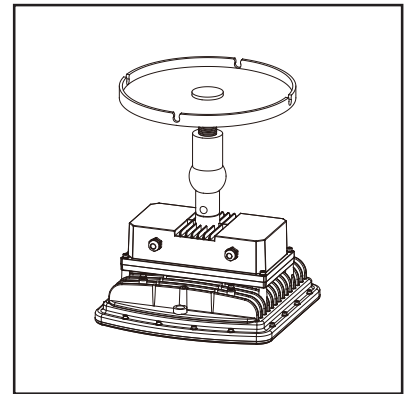
- **ATEX IECEX UL844 (CID2)**
- **PSE, SAA, C-TICK, CE, RoHs, DLC, IP66, IK09, UL1598A for marine**



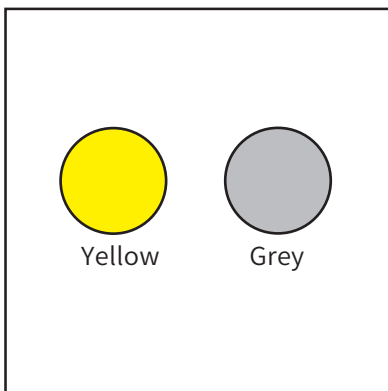
Offer several mounting options to support a variety of applications. (Universal Pole Adapter shown)



Light weight, low-profile design, and a low EPA help reduce the load on a pole.



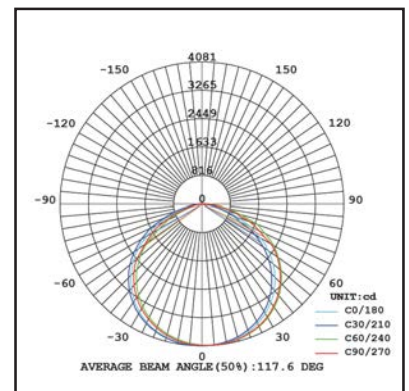
Multi-installation



Yellow/grey available (grey has no texture)



The INUI is a complete cutoff, fully shielded area light that minimizes glare, while reducing light trespass. (The maximum luminous beam angle 120°)



Photometric Data (120°)

Specifications

UL, ATEX & IECEx:

Suitable for wet locations
 Operating temperature: -40°C to +55°C (-40°F to 131°F)

LEDs:

Long-life, high-efficiency, micro-power, surface mount LEDs

Drivers(s):

Class 2, 50/60Hz. 100 - 277V, 4kV standard, 6kV optional surge protection

Lifespan:

100,000+hour LED lifespan based on IES LM-80 results & TM-21 calculations at 25°C

IP Rating:

Ingress Protection rating of NEMA 4/4X (IP68) for dust and water

Housing:

Die-cast aluminum housing

Mounting:

U-Bracket, slipfitter or wall mount options available

Lens:

High transmittance explosion-proof glass

Effective Projected Area:

EPA = 0.61

Vibration Rating:

3G vibration tested per ANSI C136.31

Dimming Driver:

Driver includes dimming control wiring for 1-10V dimming systems. Requires separate 1-10V DC dimming circuit. Dims as low as 10%.(Optional dimming and non-dimming)

CCT:

Available in 2700K-6500K color temperature

CRI:

CRI ≥70

Beam angle:

Standard distribution is NEMA floodlight (Type2-6)Wide Flood

Color Stability:

LED color temperature is warranted to shift no more than 200K in CCT over a 5-years period

Color Uniformity:

INUI,s range of CCT (Correlated Color Temperature) follows the guidelines of the American National Standard for Specifications for the Chromaticity of Solid State Lighting (SSL) Products, ANSI C78.377-2017.

Finish:

Formulated for high durability and long-lasting color

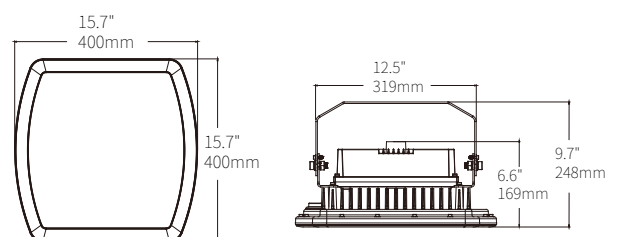
Green Technology:

Mercury and UV free. RoHS-compliant components

IESNA LM-79 Testing:

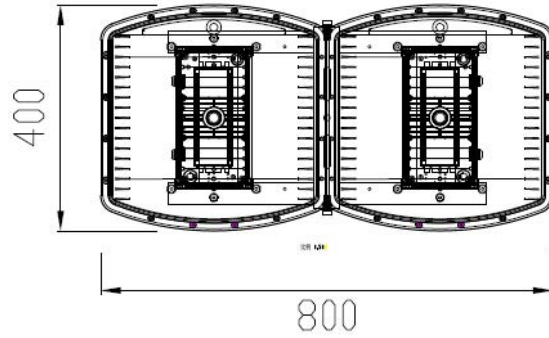
INUI LED luminaires have been tested by an independent laboratory in accordance with IESNA LM-79 Product size:

Series models	Size(L×W×H)
MGF-J40S\J20\J30	200× 200×147mm
MGF-J100\J80\J60	300×300×165mm
MGF-J200\J180\J150\J120	400×400×169mm
MGF-J150X2\J200X2	800×400×169mm



MGF-J120~200

MGF-J150X2/J200X2



Performance and Packaging

Performance

Product Model	MGF-J20/J30/J40S	MGF-J60/J80/J100	MGF-J120/J150/180/J200	MGF-J150X2/J200X2
Type	LED Explosion proof Flood Light			
Base	Top loading / WM - Wall Mount / PA - Universal Pole Mount / Ring Installation			
Power (W)	20W / 30W / 40W	60W / 80W / 100W	120W / 150W / 180W / 200W	300W / 400W
Voltage - Frequency	100-277Vac 50-60Hz			
Colour Temp	5000K (Provides 2700K to 6500K)			
CRI (Ra) (typ.)	≥70			
Luminous Flux (lm)	2400 / 3600 / 4800	7200 / 9600 / 12000	14400 / 18000 / 21600 / 24000	36000 / 48000
Bare Lamp efficacy (LPW)	120			
Beam Angle	20°, 70°, 90°, 120°			
Power Factor	>0.95			
Rated Lifetime - L70 (hrs.)	50,000			
Dia. x MOL	200×200×147mm	300×300×165mm	400×400×169mm	800×400×169mm
Housing	AD C12 Aluminum+Explosion-proof glass			

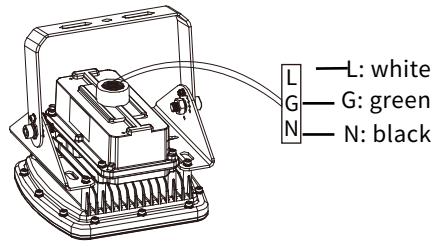
This Product is Packed With U-type bracket as Standard Package.

Product Model	Product Size	Carton Size	QTY/CTN	Net Weight	Gross Weight
MGF-J20/J30/J40S	200×200×147mm	360×250×200mm	1	4 kg	5.0 kg
MGF-J60/J80/J100	300×300×165mm	370×370×240mm	1	7.5 kg	9.0 kg
MGF-J120/J150/180/J200	400×400×169mm	460×460×240mm	1	10.5 kg	12 kg
MFD-J150X2/J200X2	800×400×169mm	870×470×250mm	1	23 kg	25.5kg

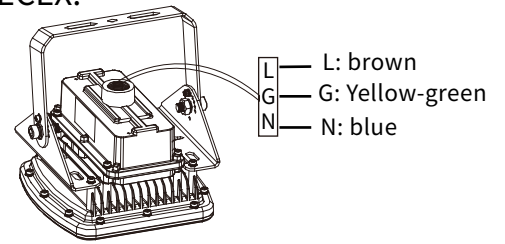
Mountings, Dimensions & Weights

Wire colour

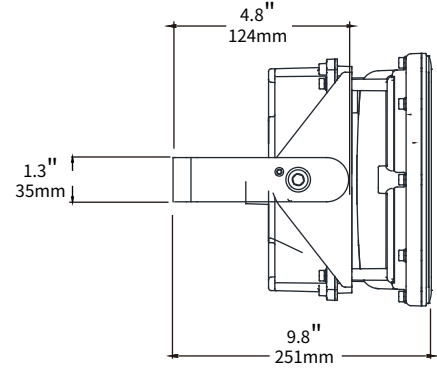
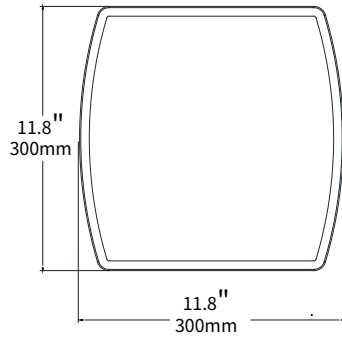
UL:



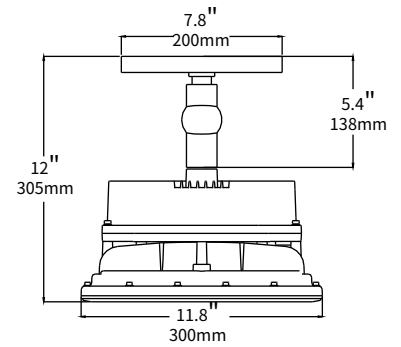
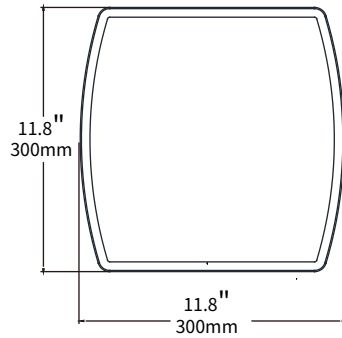
ATEX:
IECEX:



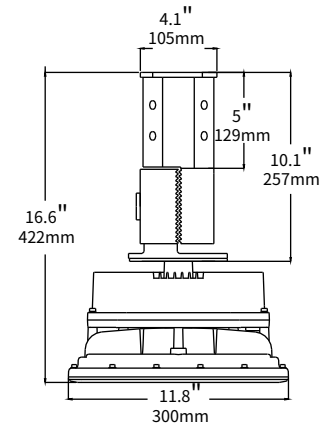
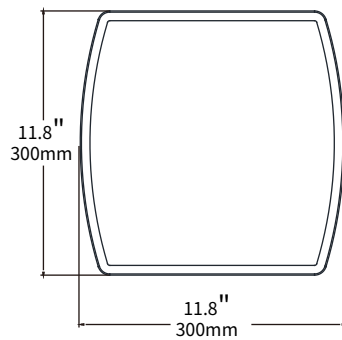
Ceiling mount



WM - Wall Mount



PA - Stanchion mount



Slip fitter Installation

