

130 LM/W

MAXIMUM ENERGY SAVINGS

A minimal total cost of ownership was the driving force behind the development of the Meteor range. It is equipped with LEDs and various dimming and remote management options for a dramatic reduction in energy consumption. It offers a very competitive alternative to luminaires equipped with traditional light sources such as high-pressure sodium lamps.

5
YEARS WARRANTY*



METEOR

LED STREET LIGHTS

INUIMSL-S80W-LV(XXK) INUIMSL-S100W-LV(XXK)

80W 100W



ISO9001-2015

ISO14001-2015

ISO45001-2018

METEOR LED STREET LIGHTS

80W 100W

Meteor LED Street Light 80W 100W



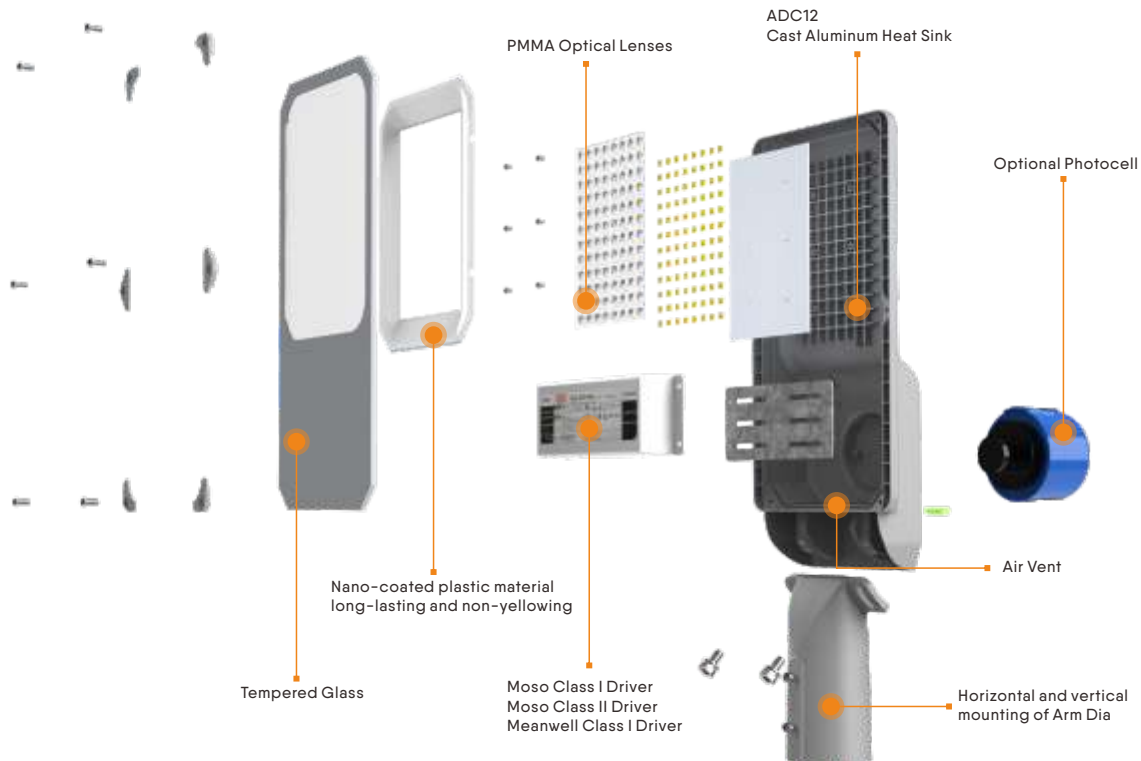
STREET LIGHT SPECIFICATION SHEET



Using state-of-the-art technology, Meteor luminaries have been designed to fulfil the Future Proof concept. The photometric engine is IP 66 sealed to protect the LEDs and lenses from coming into contact with the outside environment and so maintain photometric performance over time.

► SLEEK DESIGN

Smooth back cover design Eliminatte the risk of dust and bird droppings and other material accumulation. The UV protection and high strength anti-corrosion coating minimizes wear and increases the fixture's lifespan. The LEDS Module and Driver can be easily removed, allowing real on-site replacement at the end of its service life in order to take advantage of future technological developments. This easy and rapid procedure reduces maintenance costs and contributes to reducing the total cost of ownership. IP66 protection with durable electrostatic spray which apply to harsh outdoor applications. Tool free for open, reasonable layout design brings simple maintenance.



METEOR LED STREET LIGHT

80W 100W

Meteor LED Street Light 80W 100W

STREET LIGHT SPECIFICATION SHEET

Product Meteor LED Street Light

Model	INUIMSL-S80 W-LV(XXK)	INUIMSL-S100W-LV(XXK)
System Efficiency	130Lm/w±3%	130Lm/w±3%
Chip Brand	Lumileds 3030	Lumileds 3030
Luminous Flux (Photometered)	10400 Lm	13000 Lm
Driver (Moso Class I)	X6E-100M100	X6E-100M100
Driver (Moso Class II)	XCP-75M062	XCP-105M062
Driver (Meanwell Class I)	XLG-75-H-A	XLG-100-H-A
Distribution Type	Type II / Type III / Type IV	
CCT	30K - 3000K 40K - 4000K	50K - 5000K 57K - 5700K
CRI	>70	
Surge Protection	10KV	

Electrical Characteristics (Luminaire)

Power Consumption	80W 100W Typical
Input Volt	100-300VAC (Moso Class I driver input voltage is 200-240VAC)
Frequency Range	47-63Hz
Power Factor	>0.95
Total Harmonic Distortion	< 20%
Dimming Function	Dimmable Photocell DALI Dimmable Zhaga Socket Microwave Sensor PIR Sensor Non-Dimmable 1-10V Dimmable 0-10V Dimmable

Environmental

IP Rating	IP66
Impact Rating	IK09
Protections	SCP, OVP, OTP
Operating Temp. Range	-40° ~ 55°C
Operating Humidity	15 - 90%
Thermal Management Type	Natural air cooling
Expected Lifespan	50,000 Hours to 70% Brightness
Material Composition (Body)	ADC-12 Aluminium Alloy (<0.1% copper content)
Material Composition (Optics)	PMMA (UV Resistance)
Material Composition (Cover)	Extra clear tempered glass protect
Mounting/Bracket Type	Post-top position, Side-entry position
Cable Gland	Pg11
Cable Ø Entry Range	10-14mm

Product Meteor LED Street Lights

Model	INUIMSL-S80W-LV(XXK)	INUIMSL-S100W-LV(XXK)
Weight/Packaging		
Luminaire Weight	4.3kg	5.5kg
Packaging Dimensions	630x250x145mm	630x250x145mm
Packaged Weight	5.1kg	6.7kg

Certificates (Safety Standards)

ETL		✓
DLC(Standard)		
ENEC	IEC/EN60598-2-3 IEC/EN60598-1 IEC/EN62778	✓
CB		✓
TUV CE-LVD		✓
Australian deviation		✓
TUV CE-EMC	EN55014 EN61547 EN61000-3-2 EN61000-3-3	✓
SAA		✓
TUV IK09		✓
Salt Spray Test	24H	✓
IP66	By ENEC	✓
Flammability test	By ENEC	✓



IP66



IK09



Flicker Free



-40~55°C



Urban & residential streets



Car parks



Bike & pedestrian paths



Bridges



Urban & residential streets



Urban & residential streets



Squares & pedestrian areas



Roads & motorways

Warranty

Warranty

5 years extended warranty optional

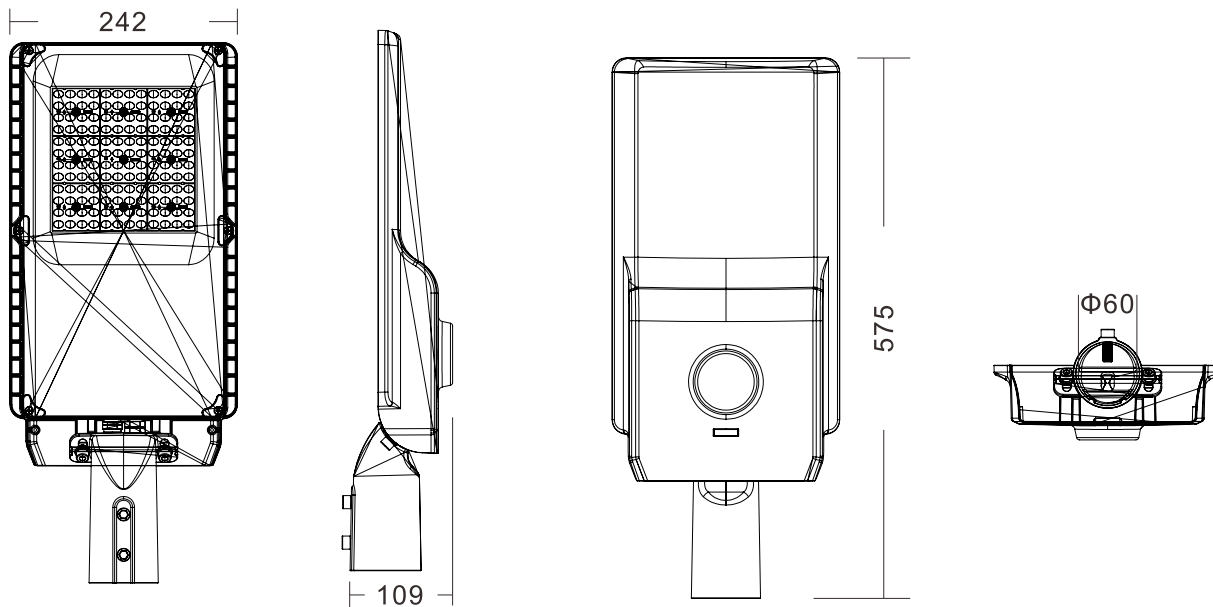
METEOR LED STREET LIGHT

80W 100W

▼ DIMENSIONS

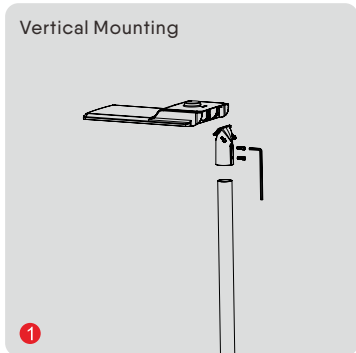
Length: 22.64" (575 mm) Height: 4.3" (109 mm)

Width: 16.69" (422 mm) Arm Dia: Φ 2.36" (60 mm)

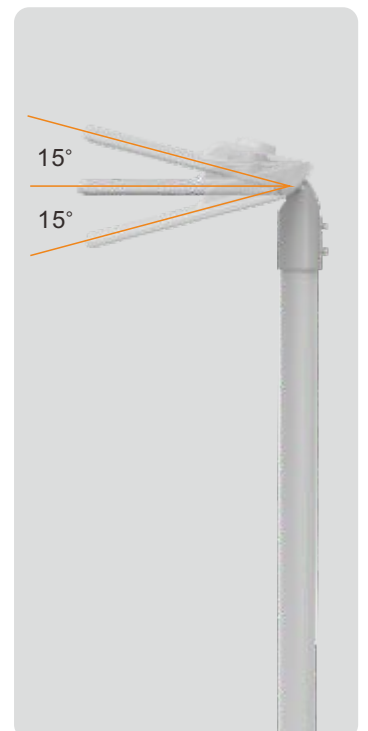
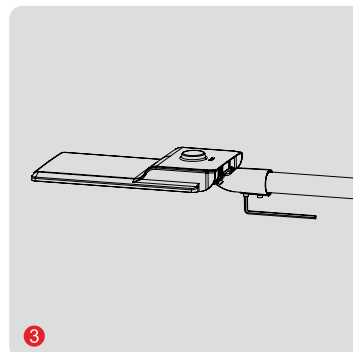
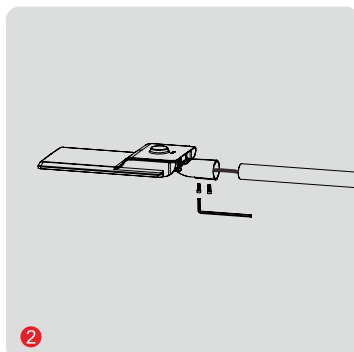
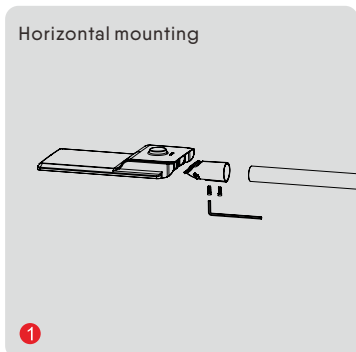


▼ MOUNTING OPTIONS

Vertical Mounting



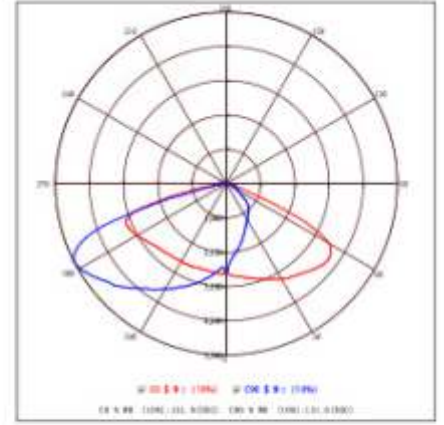
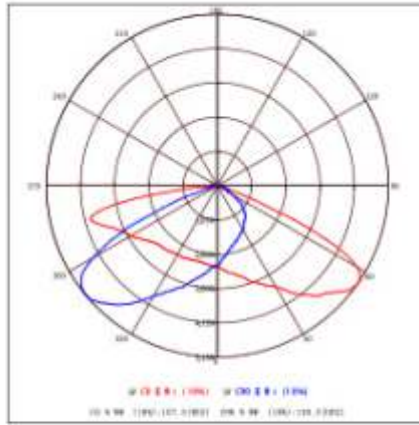
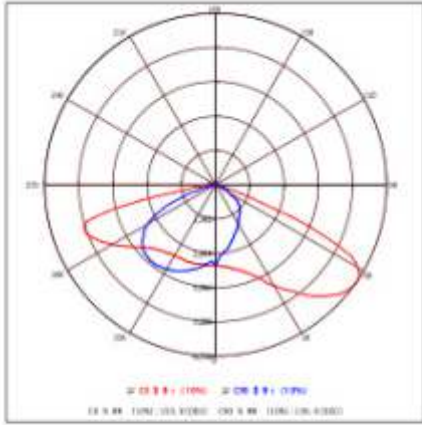
Horizontal mounting



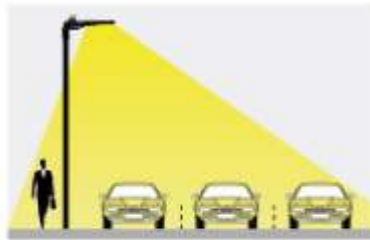
METEOR LED STREET LIGHT

80W 100W

▼ PHOTOMETRIC OPTIONS



Type II



Type III



Type IV

▼ Self-Cleaning



Self-cleaning

The smooth body would greatly diminish dust accumulation, and minimize environment impacts to the fixture's performance and lifespan.



Self-cleaning

The dust will be washed away automatically by the wind and rain with the unique circular arc design and smooth surface, which is good for the lamp fixture heat dissipation when all the dust is gone away.

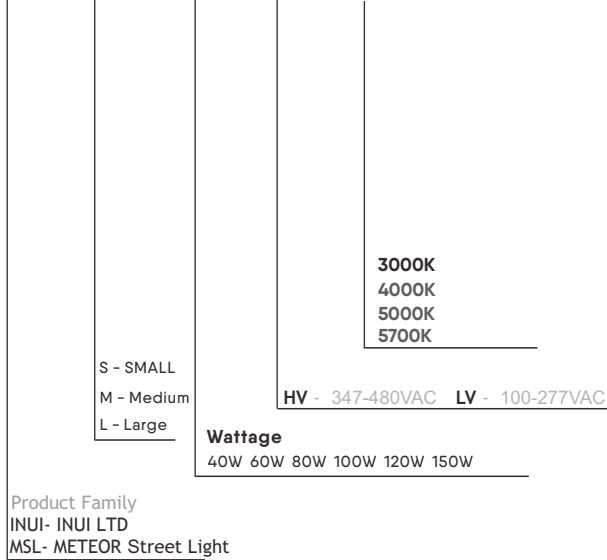
METEOR LED STREET LIGHT

80W 100W

▼ ORDERING EXAMPLE

METEOR LED STREET LIGHT

INUIMSL- * XXW- LV (XXK)



► ACCESSORY: PHOTOCELL

The Street Light Photocell integration controls the illumination of the fixture by detecting surrounding ambient light.

Photocell base comes pre-installed, twist lock cap included in package when shipped and ready to apply during assembly. Twist-Lock Photocell automatically turns lights On at Dusk and Off at Dawn

Photocell integration controls

120-277Volt Twist/Lock photocell

Optional



Photocell

On at Dusk and Off at Dawn.

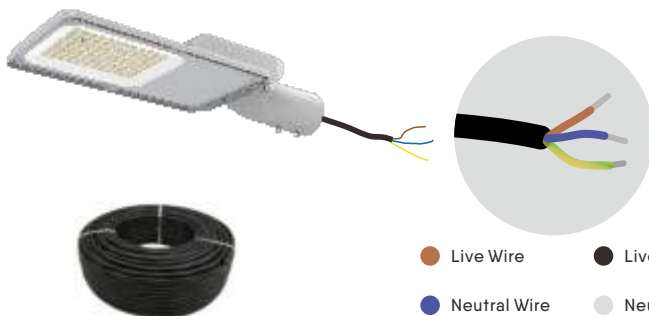
Optional



NEMA 7pins+Short cap

0-10V NEMA dimming

Optional



Optional plug wires and Extended wires

► ACCESSORY: SURGE PROTECTION DEVICE

The standard 100-277v fixture comes equipped with 10kA surge protection already integrated.

SPD surge protection devices is perfectly adapted for outdoor lighting to provide single phase protection for line/neutral, line/ground and neutral/ground in accordance with IEEE C62.41 2002 C High, UL1449 and IEC61643-11



► ACCESSORY: MOUNTING

The Street Light comes standard with a 60mm slip fitter.

	MOUNTING	SIZE
	Slip Fitter 60mm	