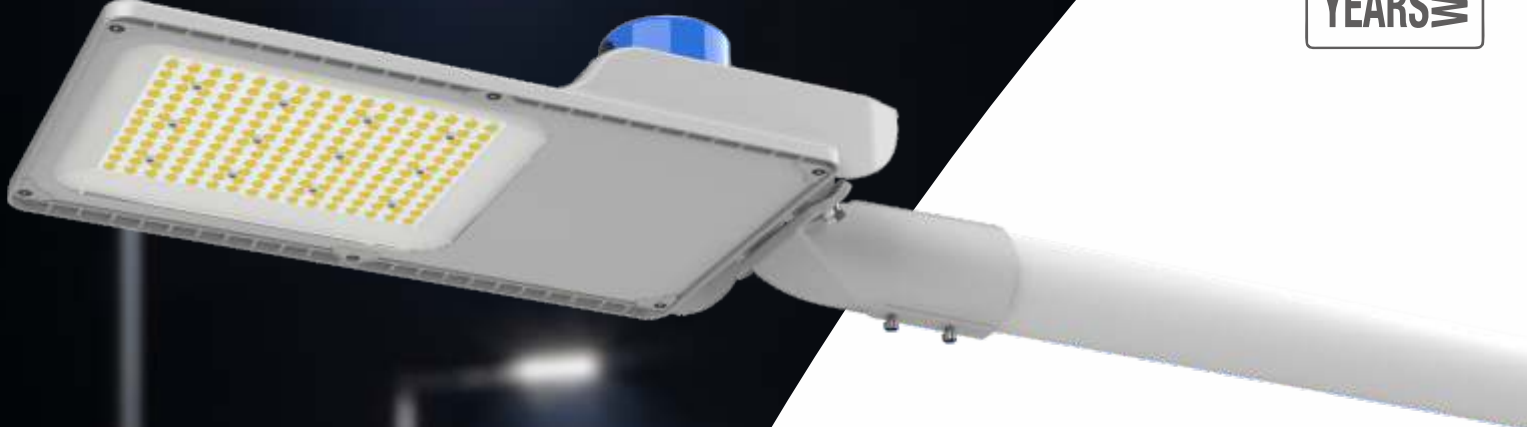


130 LM/W

MAXIMUM ENERGY SAVINGS

0E1 a a aA1 caA1 • of -A } ^i • @ A ae A@ A1 a1 a1 \* A1 ; & A^ @ a A @ A^ c^ [ ] { ^ } of -A @ A  
A^ [ ] A a1 ^ E Q A A ~ a ] ^ a A a @ S O O • A a A a a a ~ • A a { a \* A a A A [ ] of A a a a ^ ( ^ ) of  
A^ } • A | A a A a a a A ^ a & a } A A } ^ i \* A A } ~ [ ] of E Q A ~ A i • A a A i A A [ ] ^ a a A A  
a a i ) a a A A { a a a • A ~ a ] ^ a A a @ A a a a } a A @ A [ ] i & • A ~ & @ A A @ A i • • i A  
• [ a a { A a } • E

5 YEARS WARRANTY



# METEOR

## LED STREET LIGHTS

Q W W M S L - M 1 2 0 W - L V ( X X K ) Q W W M S L - M 1 5 0 W - L V ( X X K )  
**120W 150W**



ISO9001-2015  
ISO14001-2015  
ISO45001-2018

# METEOR LED STREET LIGHTS

120W 150W

## Meteor LED Street Light 120W 150W



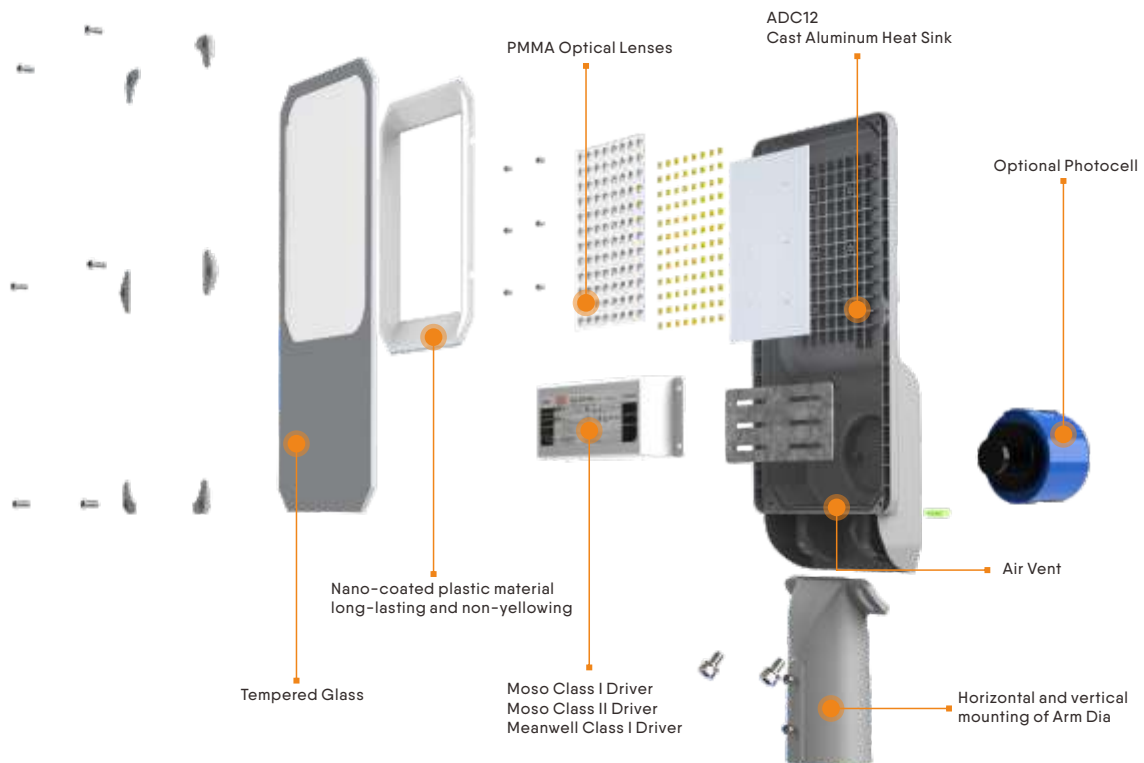
### STREET LIGHT SPECIFICATION SHEET



Using state-of-the-art technology, Meteor luminaries have been designed to fulfil the Future Proof concept. The photometric engine is IP 66 sealed to protect the LEDs and lenses from coming into contact with the outside environment and so maintain photometric performance over time.

### ► SLEEK DESIGN

Smooth back cover design Eliminate the risk of dust and bird droppings and other material accumulation. The UV protection and high strength anti-corrosion coating minimizes wear and increases the fixture's lifespan. The LED Module and Driver can be easily removed, allowing real on-site replacement at the end of its service life in order to take advantage of future technological developments. This easy and rapid procedure reduces maintenance costs and contributes to reducing the total cost of ownership. IP66 protection with durable electrostatic spray which apply to harsh outdoor applications. Tool free for open, reasonable layout design brings simple maintenance.



# METEOR LED STREET LIGHTS

## 120W 150W

## Meteor LED Street Lights 120W 150W

### STREET LIGHT SPECIFICATION SHEET

#### Product Meteor LED Street Light

Model	INUIMSL-M120W-LV(XXK)	INUIMSL-M150W-LV(XXK)
System Efficiency	130Lm/w±3%	130Lm/w±3%
Chip Brand	Lumileds 3030	Lumileds 3030
Luminous Flux (Photometered)	15600 Lm	19500 Lm
Driver ( Moso Class I )	X6E-150M150	X6E-150M150
Driver ( Moso Class II )	XCP-150M062	XCP-150M062
Driver ( Meanwell Class I )	XLG-150-H-A	XLG-150-H-A
Distribution Type	Type II / Type III / Type IV	
CCT	30K - 3000K 40K - 4000K	50K - 5000K 57K - 5700K
CRI	>70	
Surge Protection	10KV	

#### Electrical Characteristics (Luminaire)

Power Consumption	120W 150W Typical
Input Volt	100-300VAC (Moso Class I driver input voltage is 200-240VAC)
Frequency Range	47-63Hz
Power Factor	>0.95
Total Harmonic Distortion	<20%
Dimming Function	Dimmable Photocell DALI Dimmable Zhaga Socket Microwave Sensor PIR Sensor Non-Dimmable 1-10V Dimmable 0-10V Dimmable

#### Environmental

IP Rating	IP66
Impact Rating	IK09
Protections	SCP, OVP, OTP
Operating Temp. Range	-40° ~ 55°C
Operating Humidity	15 - 90%
Thermal Management Type	Natural air cooling
Expected Lifespan	50,000 Hours to 70% Brightness
Material Composition (Body)	ADC-12 Aluminium Alloy (<0.1% copper content)
Material Composition (Optics)	PMMA (UV Resistance)
Material Composition (Cover)	Extra clear tempered glass protect
Mounting/Bracket Type	Post-top position, Side-entry position
Cable Gland	Pg11
Cable Ø Entry Range	10-14mm

#### Product Meteor LED Street Lights

Model	INUIMSL-M120W-LV(XXK)	INUIMSL-M150W-LV(XXK)
Weight/Packaging		
Luminaire Weight	4.6kg	5.3kg
Packaging Dimensions	680x270x145mm	680x270x145mm
Packaged Weight	5.7kg	6.3kg

#### Certificates (Safety Standards)

ETL		✓
DLC(Standard)		
ENEC	IEC/EN60598-2-3 IEC/EN60598-1 IEC/EN62778	✓
CB		✓
TUV CE-LVD		✓
Australian deviation		✓
TUV CE-EMC	EN55014 EN61547 EN61000-3-2 EN61000-3-3	✓
SAA		✓
TUV IK09		✓
Salt Spray Test	24H	✓
IP66	By ENEC	✓
Flammability test	By ENEC	✓



IP66



IK09



Flicker Free



-40~55°C



Urban & residential streets



Car parks



Bike & pedestrian paths



Bridges



Urban & residential streets



Urban & residential streets



Squares & pedestrian areas



Roads & motorways

#### Warranty

Warranty

5 years extended warranty optional

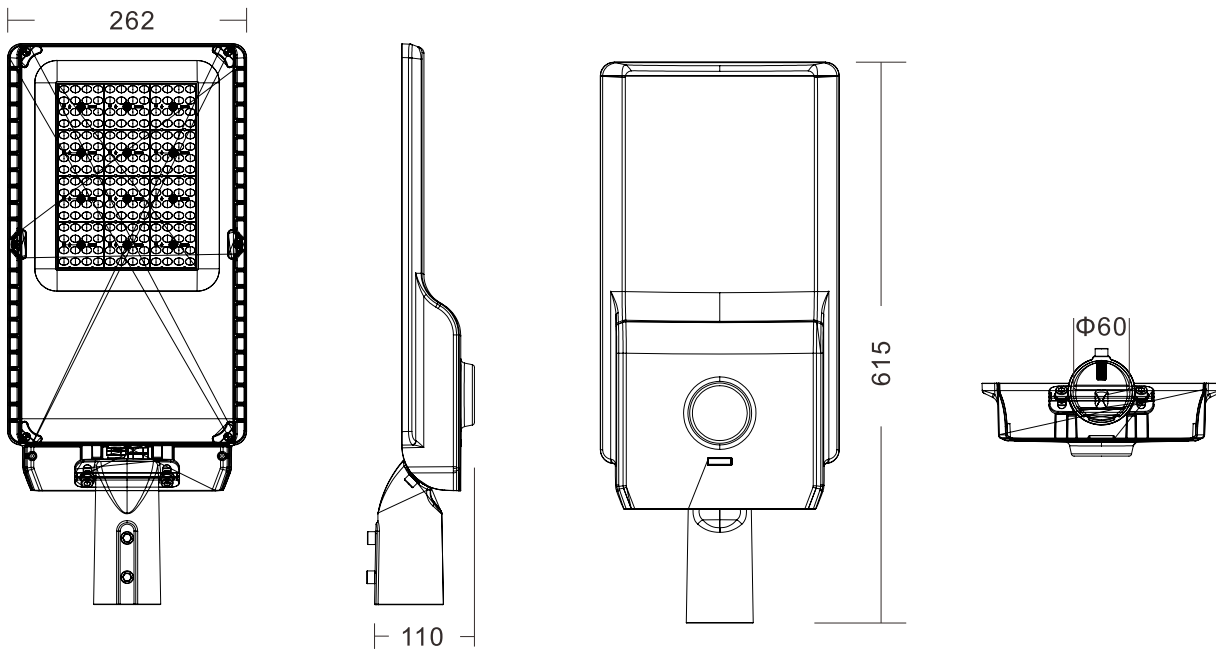
# METEOR LED STREET LIGHTS

120W 150W

## ▼ DIMENSIONS

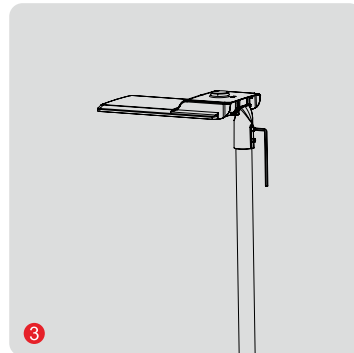
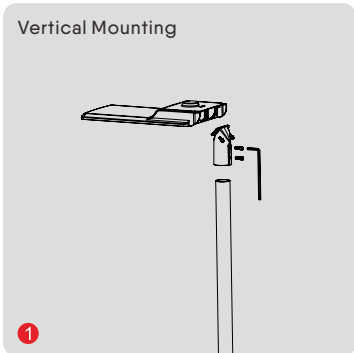
Length: 24.21" (615 mm)      Height: 4.33" (110 mm)

Width: 10.31" (262 mm)      Arm Dia:  $\Phi$  2.36" (60 mm)

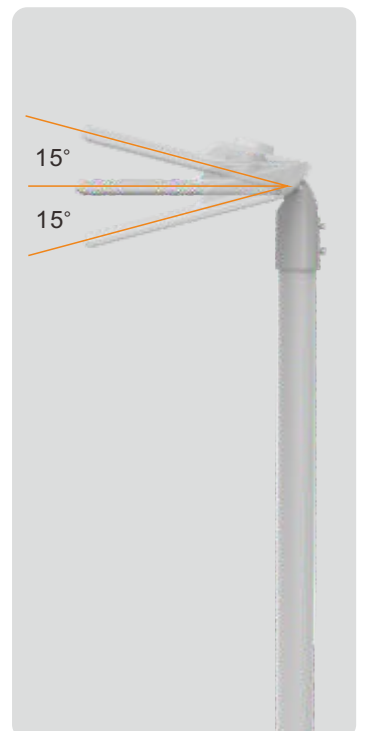
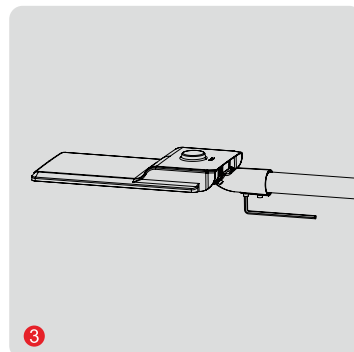
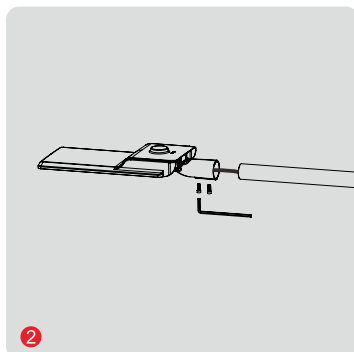
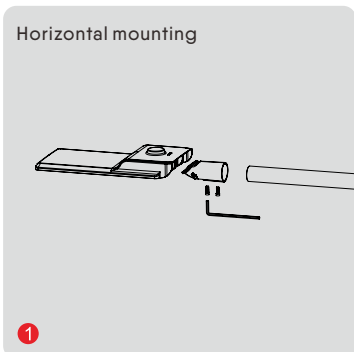


## ▼ MOUNTING OPTIONS

### Vertical Mounting



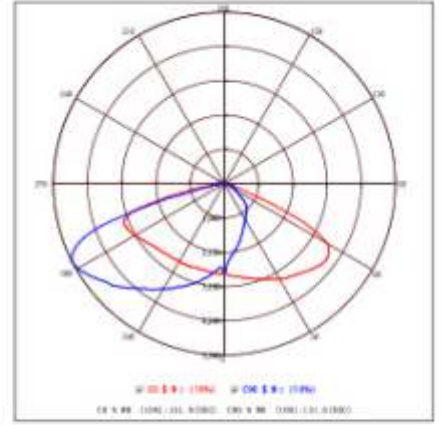
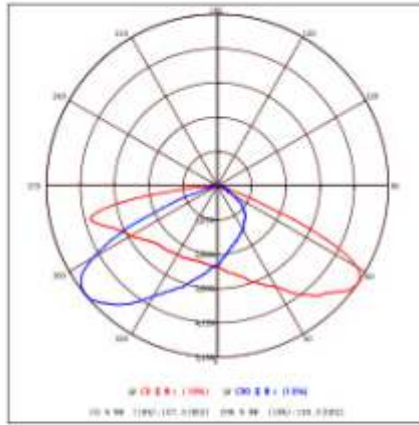
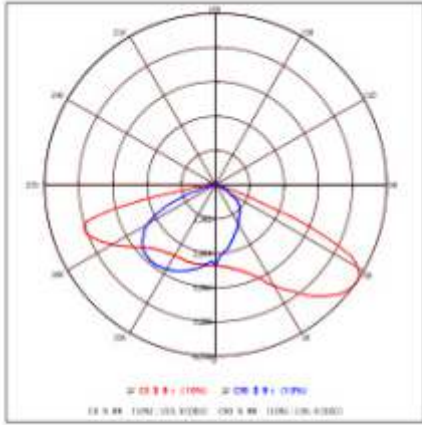
### Horizontal mounting



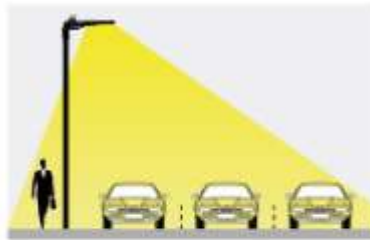
# METEOR LED STREET LIGHTS

120W 150W

## ▼ PHOTOMETRIC OPTIONS



Type II



Type III



Type IV

## ▼ Self-Cleaning



### Self-cleaning

The smooth body would greatly diminish dust accumulation, and minimize environment impacts to the fixture's performance and lifespan.



### Self-cleaning

The dust will be washed away automatically by the wind and rain with the unique circular arc design and smooth surface, which is good for the lamp fixture heat dissipation when all the dust is gone away.



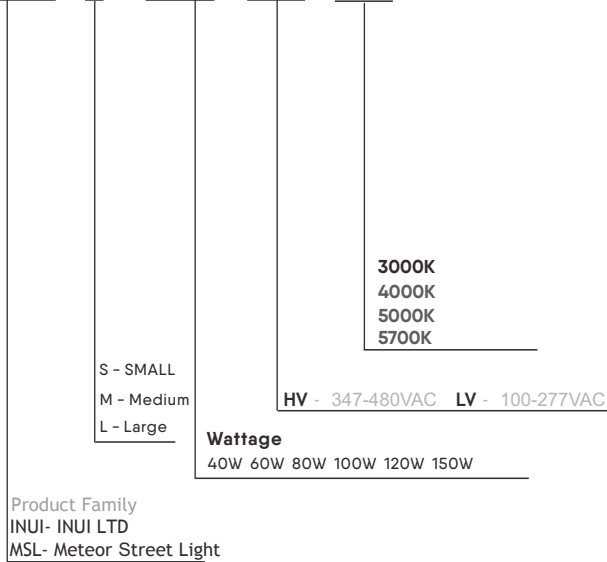
# METEOR LED STREET LIGHTS

120W 150W

## ▼ ORDERING EXAMPLE

# METEOR LED STREET LIGHT

INUIMSL- \* XXW- LV (XXK)



## ► ACCESSORY: PHOTOCELL

The Street Light Photocell integration controls the illumination of the fixture by detecting surrounding ambient light.

Photocell base comes pre-installed, twist lock cap included in package when shipped and ready to apply during assembly. Twist-Lock Photocell automatically turns lights On at Dusk and Off at Dawn

Photocell integration controls

120-277Volt Twist/Lock photocell

Optional



Photocell

On at Dusk and Off at Dawn.

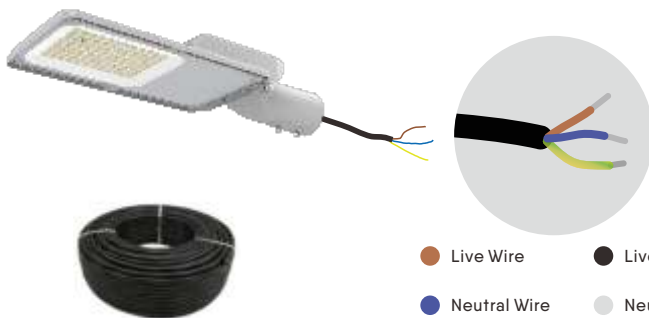
Optional



NEMA 7pins+Short cap

0-10V NEMA dimming

Optional



Optional plug wires and Extended wires

- Live Wire
- Neutral Wire
- Earth Wire
- Live Wire
- Neutral Wire
- Earth Wire

## ► ACCESSORY: SURGE PROTECTION DEVICE

The standard 100-277v fixture comes equipped with 10kA surge protection already integrated.

SPD surge protection devices is perfectly adapted for outdoor lighting to provide single phase protection for line/neutral, line/ground and neutral/ground in accordance with IEEE C62.41 2002 C High, UL1449 and IEC61643-11



## ► ACCESSORY: MOUNTING

The Street Light comes standard with a 60mm slip fitter.

	MOUNTING	SIZE
	Slip Fitter 60mm	