

Downlight CCT series 12W INUI-LEDSDL10



Product parameter

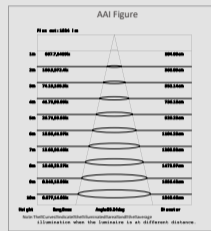
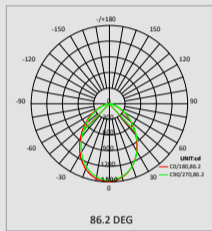
LED power : 10.8W(36vDC 300mA)
 Lamp consumption : 12W
 Input voltage : 200-240vAC(PF>0.9)
 Size : $\phi 108 \times H42$ mm(cutout: $\phi 85-95$ mm)
 Life span : 50,000 hrs
 Warranty : 5 years
 Beam angle : 90°



2700K | 3000K | 3500K | 4000K | 5000K | 6000K |

Dimmable

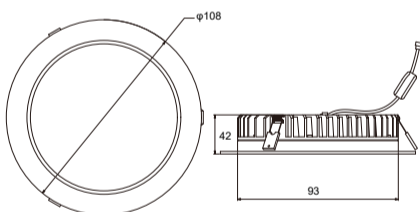
Single color dimmable TRIAC/0-10V/DALI 1800-3000K dim to warm TRIAC/0-10v
 2700k 3000k 3500k 4000k 5000k 6000k 1800k-3000k
 2700-6000K tunable 2.4G/DALI DT8/Casambi
 2700k-6000k



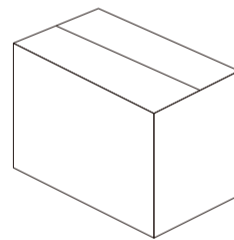
Datasheet

Part No.	COB brand	CCT	Output			Beam angle
			CRI80	CRI90	CRI96	
INUI-LEDSDL10	Epistar SMD2835	2700K-7000K single color	1000-1200lm	900-1100lm	no	90°

Packing

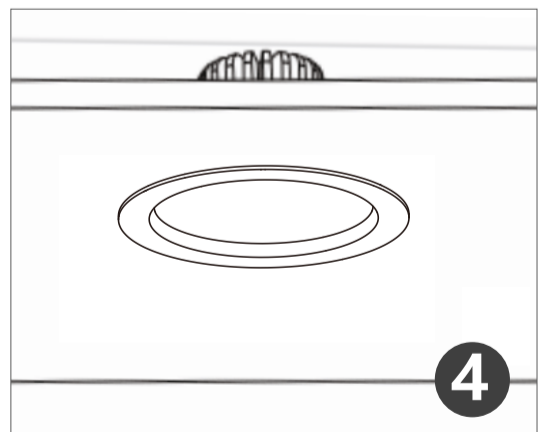
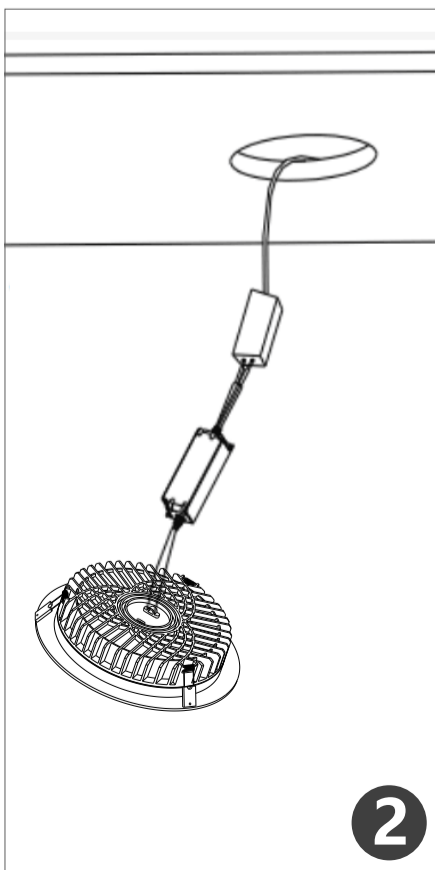
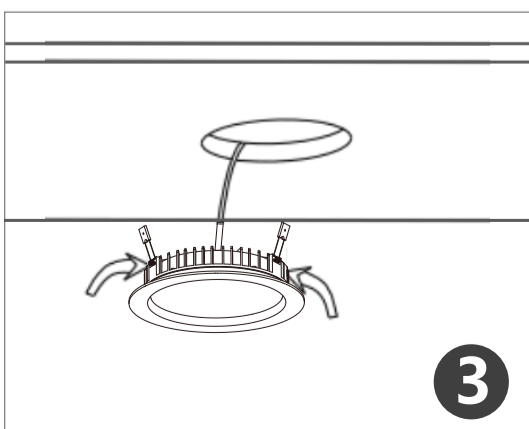
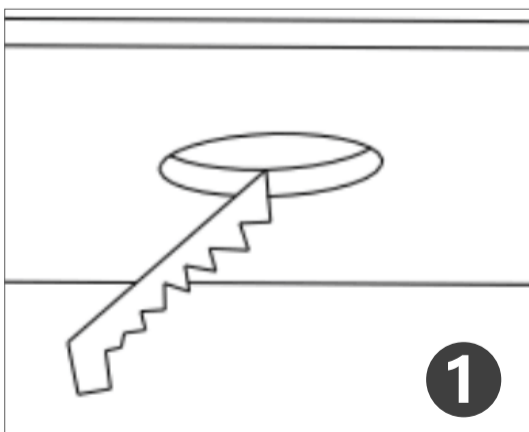


cutout: $\phi 85-95$ mm



40x40x33cm(27 pcs/carton, 9.8kg)

Installation Instuction



Installation process

- 1.Ceiling open
- 2.Connect driver to the power
- 3.Hold back spring clips. Push the downlight into position
- 4.Installation finished