



Ex marking: Ex eb mb op is IIC T6/T5/T4 Gb  
Ex tb op is IIIC T80°C/T95°C/T130°C Db

## Application

Suitable for oil production platform, oil refining platform, living platform, hazardous chemicals ships, shore machines and other hazardous areas. Suitable for dangerous gas area Zone 1 and Zone 2.

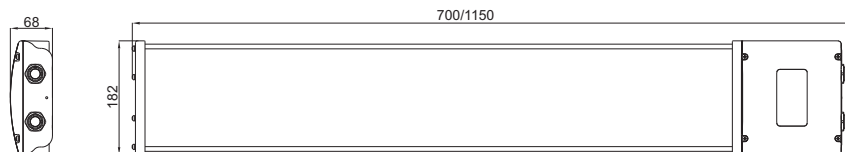
## Characteristics

- Seawater resistant, anodized aluminum housing.
- Flexible light exit cover, soft and comfortable light.
- The whole lighting effect is about 110 lm/W.
- Ship-level anti-vibration test.
- Outdoor light diffusion material translucent cover, strong weather resistance.
- Independent junction box design, convenient wiring, can be used in parallel with multiple lamps.
- Exposed fasteners are all made of 304 stainless steel (Ocean platform requires custom 316 stainless steel).

## Main Specification

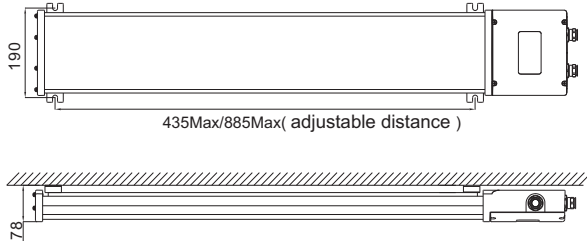
Item	Technical Parameters			
	ATEX-Tri-Pro-L30	ATEX-Tri-Pro-L40	ATEX-Tri-Pro-L60	ATEX-Tri-Pro-L80
Rated wattage (W)	30W	40W	60W	80W
Input voltage range (V)	108~264VAC,50/60Hz			186~264VAC
Light output (lm)	3300lm	4400lm	6300lm	8400lm
CCT	5000K			
CRI (Ra)	70			
IP class	IP66			
Ambient temperature	-40~+40°C/+55°C			
Number of cable inlets	1~2			
Screw Thread of cable inlets	M20*1.5			
Dimension (mm)	700×182×68	700×182×68	1150×182×68	1150×182×68
Net Weight (kg)	3.2	3.4	4.5	4.7

## Drawing of dimension (Dimensions in mm)

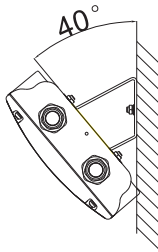


## Drawing of dimension (Dimensions in mm)

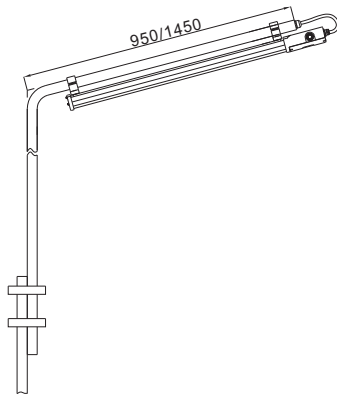
### 1. Bracket mounting(Standard)



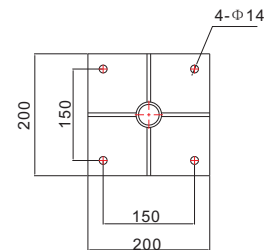
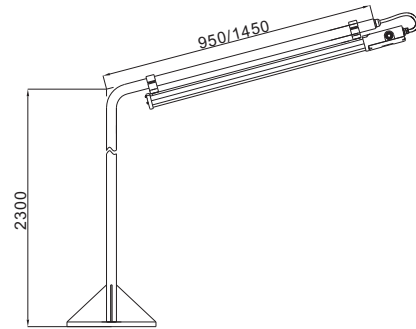
### 2. Side wall mounting (40 degree)



### 3. Guardrail installation



### 4. Flange mounting



## Ordering reference

Item No.	Rated wattage(W)	Input voltage(V)	CCT	CRI	Mounting type	Number of cable inlets
ATEX-Tri-Pro-L	30/ 40/ 60/ 80	120V/240V	3000K-30 4000K-40 5000K-50	R7(Ra70) R8(Ra80)	S1 Bracket mounted S2 Side wall mounted S3 Guardrail installation S4 Fence mounted	E1(one cable inlet) E2(two cable inlets)

Example: Specification of Lamp is Power 40W, Color temperature 5000K, Bracket mounting, One cable inlet. Order number as ATEX-Tri-Pro-L40W120/240V50R7S1E1