

LED Explosion-proof High Bay Light HB-01-G1



Better solutions for LED Explosion-proof Light

-  **IP66 water-proof**
-  **AC90-305V 50/60Hz**
-  **Easy Installation**
-  **140Lm/W**

Operating Temp.: -40°C ~ +50°C **Storage Temp.:** -40°C ~ +80°C

Options

Power	Housing Color	Color	Beam Angle
Meanwell Driver	Grey	3000K 4000K 5000K	120°



Application

Refineries and fuel depots, marine vessels, chemical production and processing, food processing, mining, wineries, other high humidity, high temperature, and dusty places

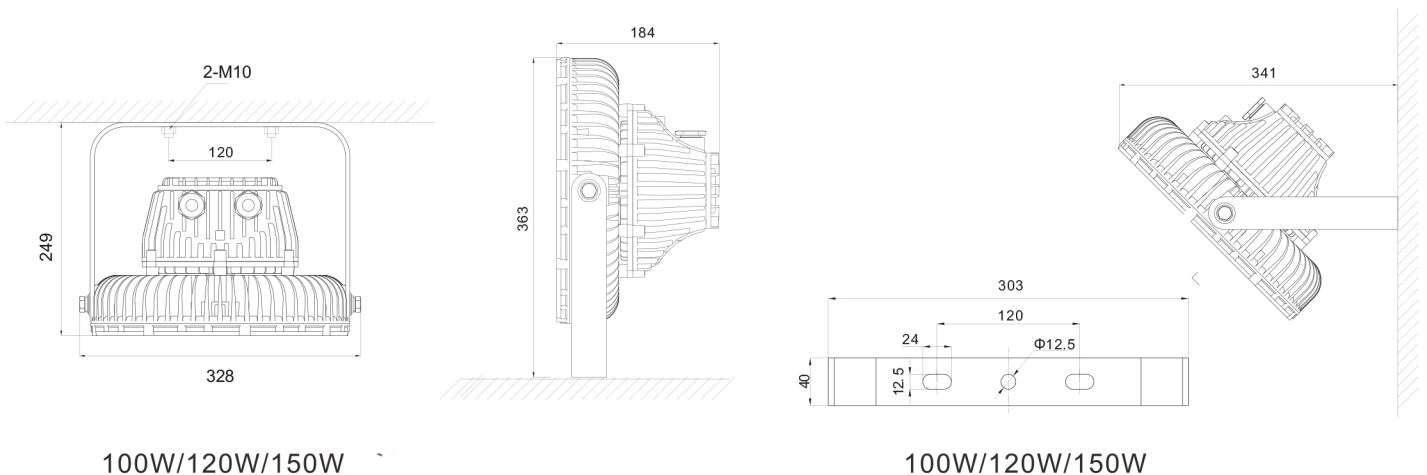
CLASSIFICATIONS & RATINGS

- Class I, Division 1, Groups C, D
- Class I, Division 2, Groups A, B, C, D
- Class II, Division 2, Groups E, F, G
- Class III
- Zone 1, Zone 2, Zone 21, Zone 22.

Specifications

Item	Power	Luminous Efficacy	Leds	CRI	Weight	Beam Angle
HB100W-01-G1	100W	140Lm/W	Lumileds 3030	>80	9.0kg(19.8lbs)	120°
HB120W-01-G1	120W	140Lm/W	Lumileds 3030	>80	9.0kg(19.8lbs)	120°
HB150W-01-G1	150W	140Lm/W	Lumileds 3030	>80	9.0kg(19.8lbs)	120°

Dimensions(mm)



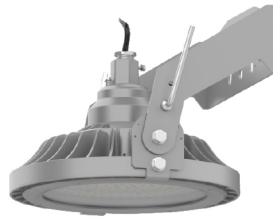
HB-01-G1

LED Explosion-proof Light

Model Options

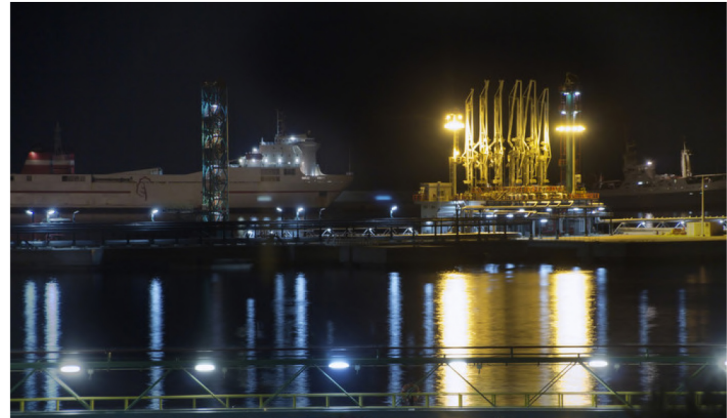
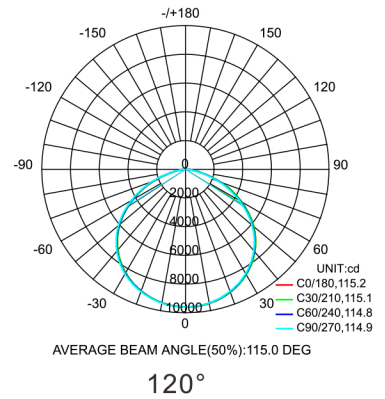


P1



P2

Photometry



Installation and use

<p>Ceiling Type</p>	<p>Tube hanging Type</p>	<p>Floor Type-1</p>	<p>Floor Type-2</p>
<p>Wall Type-1</p>	<p>Wall Type-2</p>	<p>Wall Type-3</p>	<p>Bending electrical tube Type</p>

Packing Spec

Item	Box			Carton		
	Measurement(mm)	Gross weight	Pcs/box	Measurement(mm)	Gross weight	Pcs/box
HB 100W/120W/150W-01-G1	L512*W432*H345	10.0kg(22.0lbs)	1	/	/	/