

Durable Lighting Made for Industrial Safety



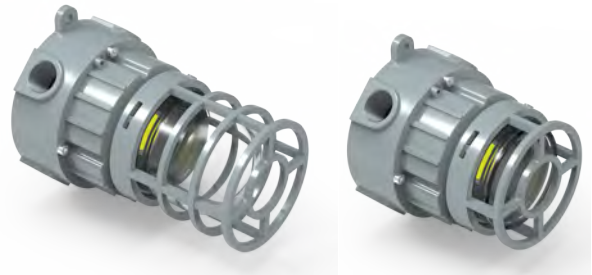
Hazardous Location LED Luminaire O Series (Zone 1, 2, 21, 22)

Specsheet-2023-07 EN





Globe guard



Flat guard



Product Description

The O Series LED luminaire is the ideal choice for marine and hazardous applications. They can be used in locations where moisture, dirt, dust, corrosion and vibration may be present, or areas where wind, water, snow or high ambient can be expected.

Compact structure and small size, ideal for use in various places where spot light is required, such as mine, brewery, aisle, etc.

Features

- Compact structure, small size and light weight for easy installation
- Protective metal guard against potential damage
- Various installation ways for different applications
- Great impact resistance with IK08 certified
- Copper-free aluminum housing, great corrosion resistance and cooling performance
- Waterproof and dust-proof, no need for internal cleaning and maintenance
- Tempered glass for high heat resistance

Compliance

Zone 1, 2, 21, 22

ATEX Standard:

⊕ II 2GD

Ex eb mb IIC T6/T5/T4 Gb

Ex tb IIIC T80°C/T95°C/T130°C Db

IECEx Standard:

Ex eb mb IIC T6/T5/T4 Gb

Ex tb IIIC T80°C/T95°C/T130°C Db

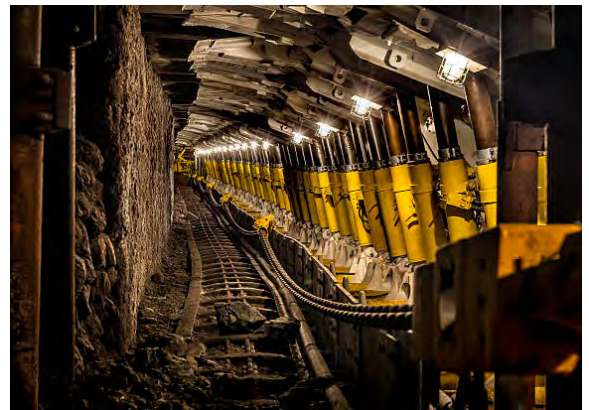
IP66

IK08



Application

- Power Plants
- Heavy Industrials Storage Facility
- Paper mills
- Wastewater Treatment Plants
- Loading Docks Platforms
- Offshore Environments
- Chemical Processing Facility
- Petrochemical Processing Facility
- Metallurgical Industry
- Coal Mine
- Food and Alcohol industry



Warranty

5-Year Standard Warranty

LED lumen Maintenance: L70> 150,000 Operation Hours@55°C



Technical Parameter

• Electrical

Specification	Ex-10W-OYZDAM	Ex-20W-OYZDAM	Ex-30W-OYZDAM	Ex-40W-OYZDAM
Rated Power	10W	20W	30W	40W
Input Voltage	100-277VAC			
Input Frequency	50/60Hz			
Power Factor	> 0.95			

• Optical

Specification	Ex-10W-OYZDAM	Ex-20W-OYZDAM	Ex-30W-OYZDAM	Ex-40W-OYZDAM
Lumen Output	1000lm	2000lm	3000lm	4000lm
Lumens Per Watt	100lm/W			
CCT	3000K-6500K			
CRI	> 70			
Dimming	0-10V dimming			

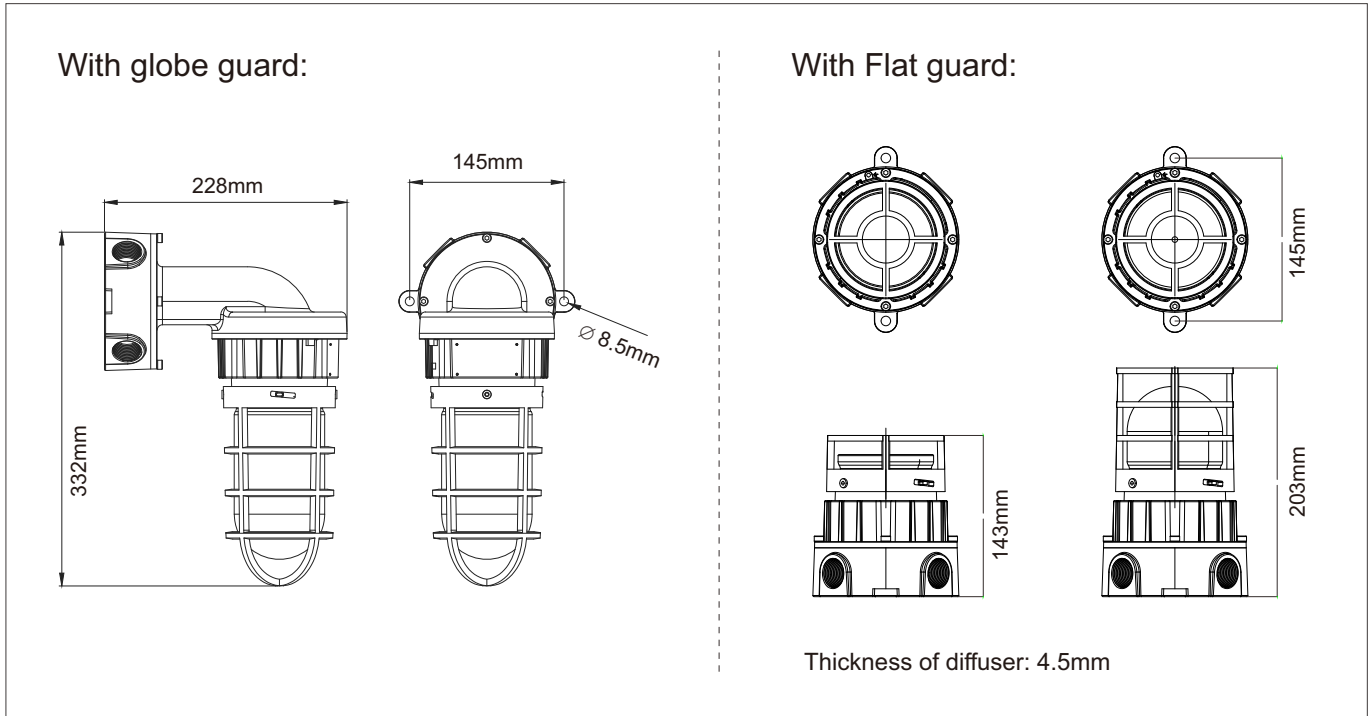
• Environmental

Specification	Ex-10W-OYZDAM	Ex-20W-OYZDAM	Ex-30W-OYZDAM	Ex-40W-OYZDAM
Ambient Temperature - Normal	T6/T80°C: -40°C to +25°C (-40°F to +77°F) T5/T95°C: -40°C to +40°C (-40°F to +104°F) T4/T130°C: -40°C to +60°C (-40°F to +140°F)			
Ambient Temperature - Emergency	T4/T130°C: -10°C to +40°C (14°F to +104°F)			

• Mechanical

Specification	Ex-10W-OYZDAM	Ex-20W-OYZDAM	Ex-30W-OYZDAM	Ex-40W-OYZDAM
Housing Material	Copper-free aluminum			
Diffuser	Tempered glass (both frosted and clear are available)			
Protection	IP66/IK08			
Mounting	Ceiling, Pole, Wall			
Outlet	Regular 1 meter			
Cable Entries	There are four cable entries are at side wall of luminaire housing which are used to install M25, M20, NPT 1/2" or NPT 3/4" certified cable glands or stopping plugs with suitable IP code.			

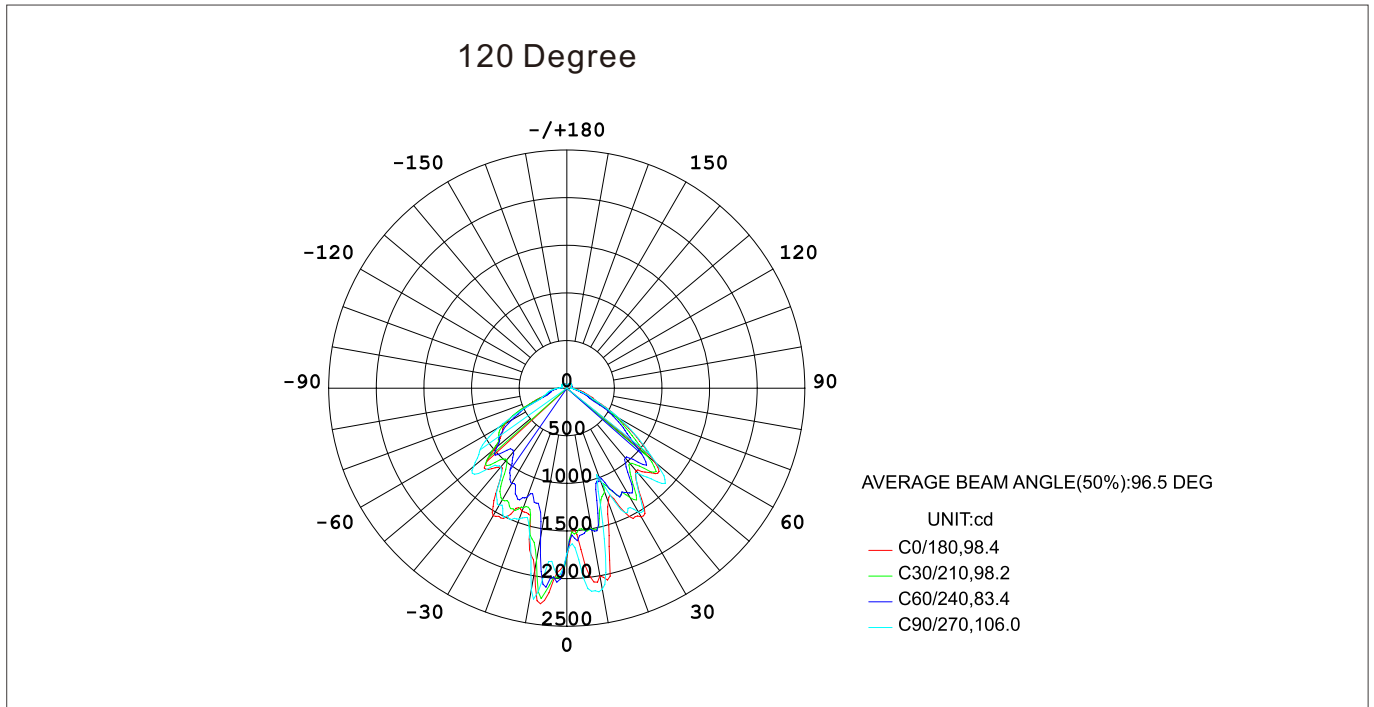
Product Dimensions



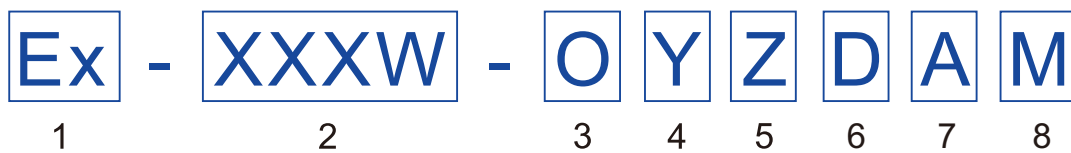
• Packing Information

Model	Net Weight	Gross Weight	Quantity/Carton	Package Dimensions (LxWxH)
O (with globe guard)	2.5 kg	3.0 kg	1 pc	265x380x255mm
O (with flat guard)	2.0 kg	2.5 kg	1 pc	265x380x255mm

Photometric



Ordering Guide

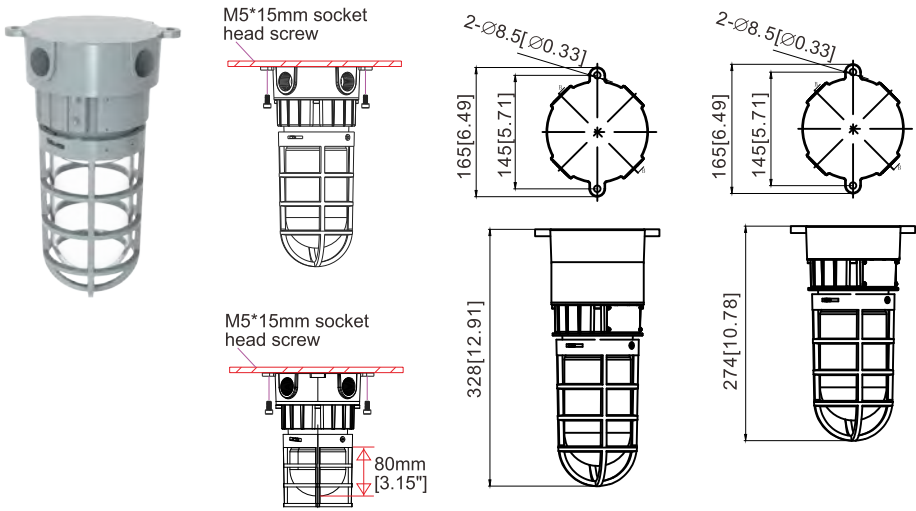


1. Product Category	2. Wattage	3. Product Series	4. Dimmable Option
Ex: Explosion Proof Product	Can be: 10W/20W/30W/40W	O: O series	Can be: Y: dimmable N: non-dimmable

5. Color Temperature	6. Beam Angle	7. Glass Type	8. Mounting Type
Can be 30, 40,..., 65 denotes 3000K, 4000K, ..., 6500K		Can be: C: globe glass	Can be: M1: Ceiling mounting M2: Pole mounting M3: 90 degree wall mounting

Mounting Methods and Accessories Unit: mm [inch]

• Option 1: Ceiling Mounting



• Accessories

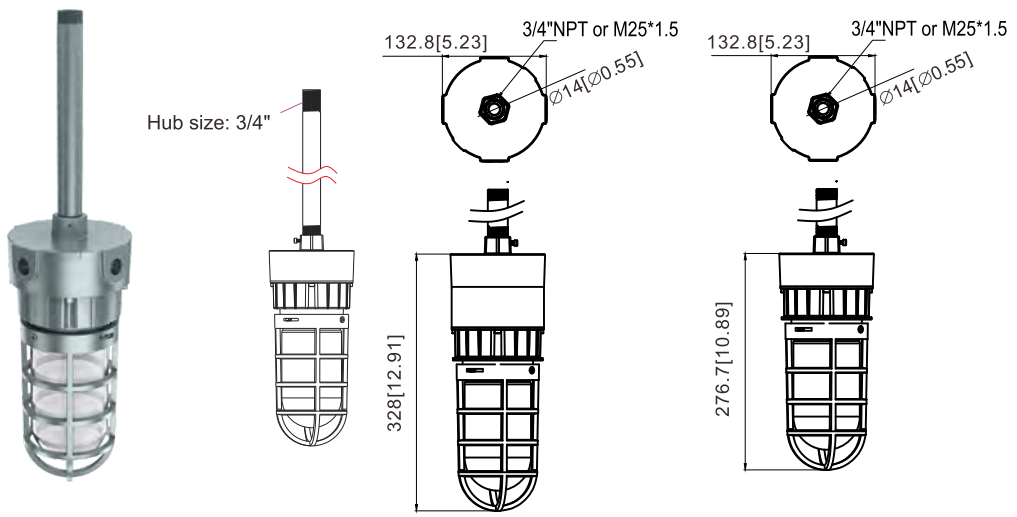


Ceiling



**Ceiling
(Interior Detail)**

• Option 2: Pole Mounting



• Accessories



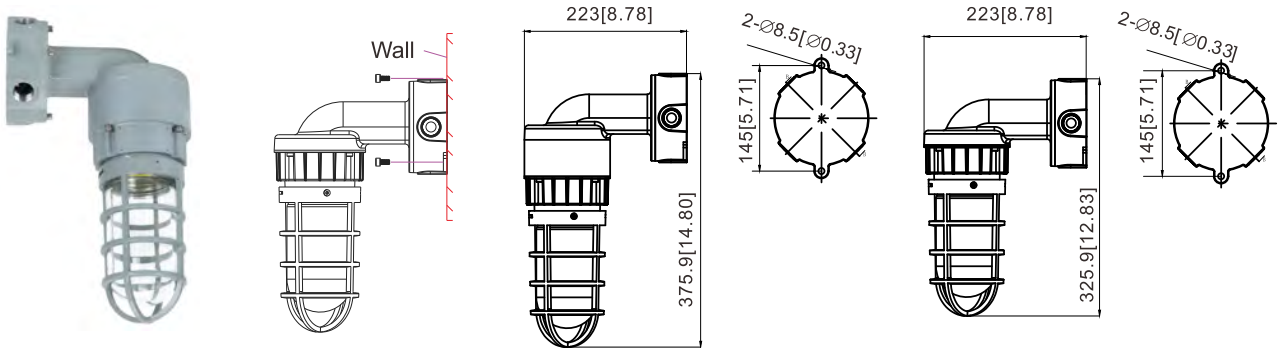
**Pole
Ex-Straight Pipe**



Pendant

Mounting Methods and Accessories Unit: mm [inch]

• Option 3: 90 Degree Wall Mounting

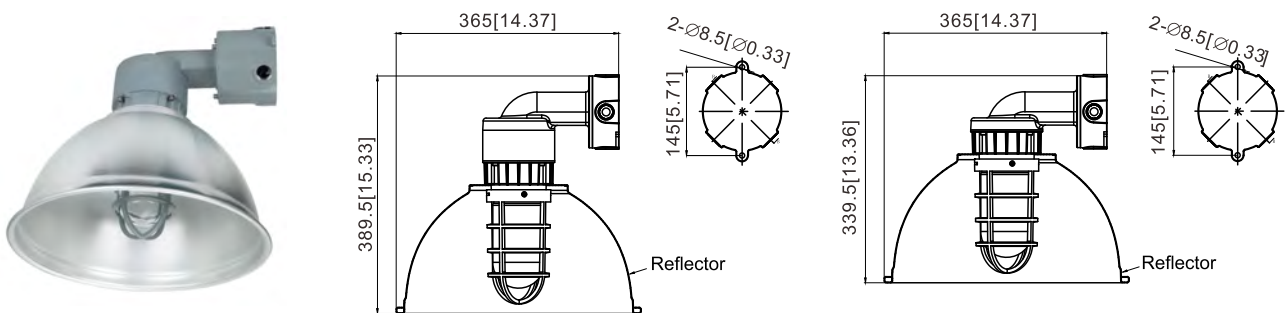


• Accessory



Wall Elbow

• Option 4: 90 Degree Wall Mounting with Reflector



• Accessories



Wall Elbow



Reflector

Spare Parts



Ceiling/Wall



Ceiling/Wall (Interior Detail)



Reflector



Heat Sink



Globe Glass



Globe Guard



Extension



Main Part



Flat Glass



Flat Guard



Clear