

One hundred percent authentic manufacturer, more than 10 years experience in production of led light  
 With excelsior attitude, we aim to offer perfect product, as we believe vitality of a enterprise is depends on quality of product  
 5 years warranty, release innovative, reliable and high-performance LED light regularly  
 We care and take care of every inquiry, feedback and complaint of customers  
 Customer is partner, we pursuit profit, value and development with partner together

## Product Features

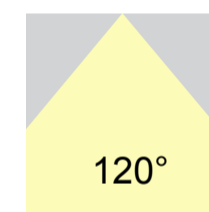
Streamline design classic aesthetics;  
 Ultra-slim sleek design, stylish and classic;  
 Reflector and heat sink integrated;  
 Pure aluminum structure for heat dissipation, professional optical design;  
 Luminous efficiency is increased by 50%.



**MODEL NO: LEDFLD-50  
(50W)**

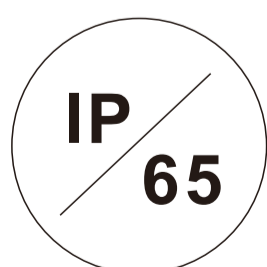
LED QTY: 50 PCS(OSRAM 3030)/50 PCS(PHILIPS 3030)  
 Packing Type: 8 unit(s)/ctn  
 Inner Packing Dimension: 35.5x25.5x5.8cm/1PCS  
 Packing Dimension: 53X36.5X25.5cm  
 NW: ≈2.1kg  
 GW: ≈2.5kg 1 unit(s)/ctn  
 GW: ≈22kg 8 unit(s)/ctn

PHILIPS / OSRAM / NICHIA 3030: 50W

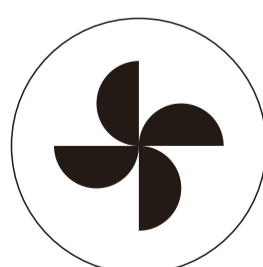


LED By:   

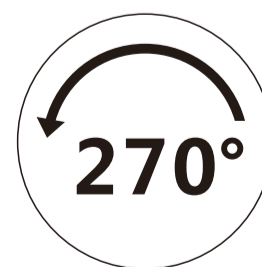
Powered By: 



Protection grade reaches Ip65



Anti-Level-17 hurricane



Adjustable 270 ° Angle



Working Temperature: -40-50°C

Working Humidity: 10%~95%RH

Best Working Temperature: -20 C ~+30°C

Storage Temperature: -40 C ~+80 C

# 01

## REFLECTOR AND HEAT SINK INTEGRATED

Large size aluminum PCB fit aluminum die cast housing, reflector and heat sink integrated

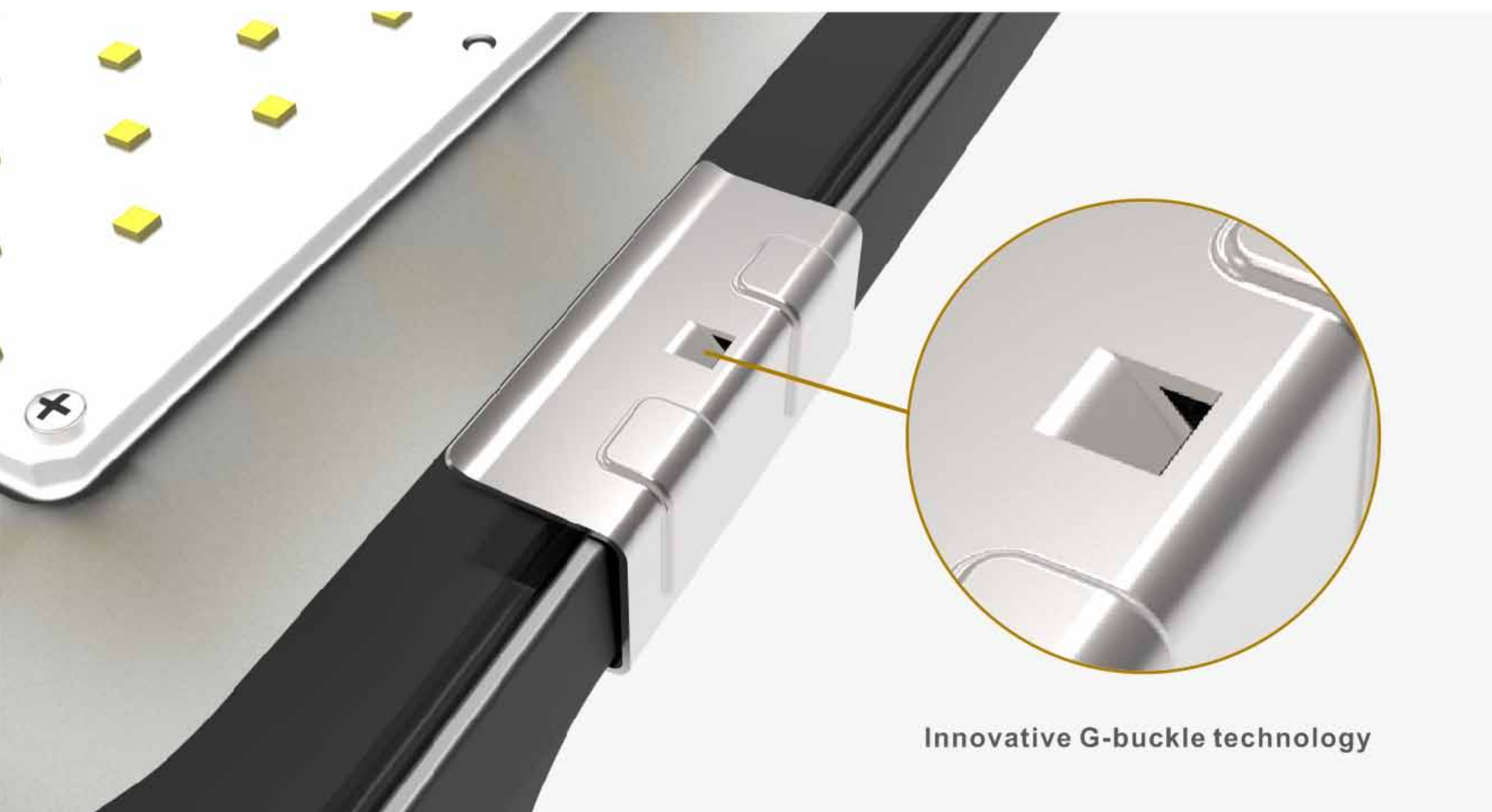
(Note: only as illustrated below, with a series of contrast principle is the same)



# 02

## DESIGN INNOVATION, EFFECTIVE PROTECTION

Innovative G-buckle technology, prevent glass off, free of screw fixing, elegant appearance, easy for assembling



Innovative G-buckle technology





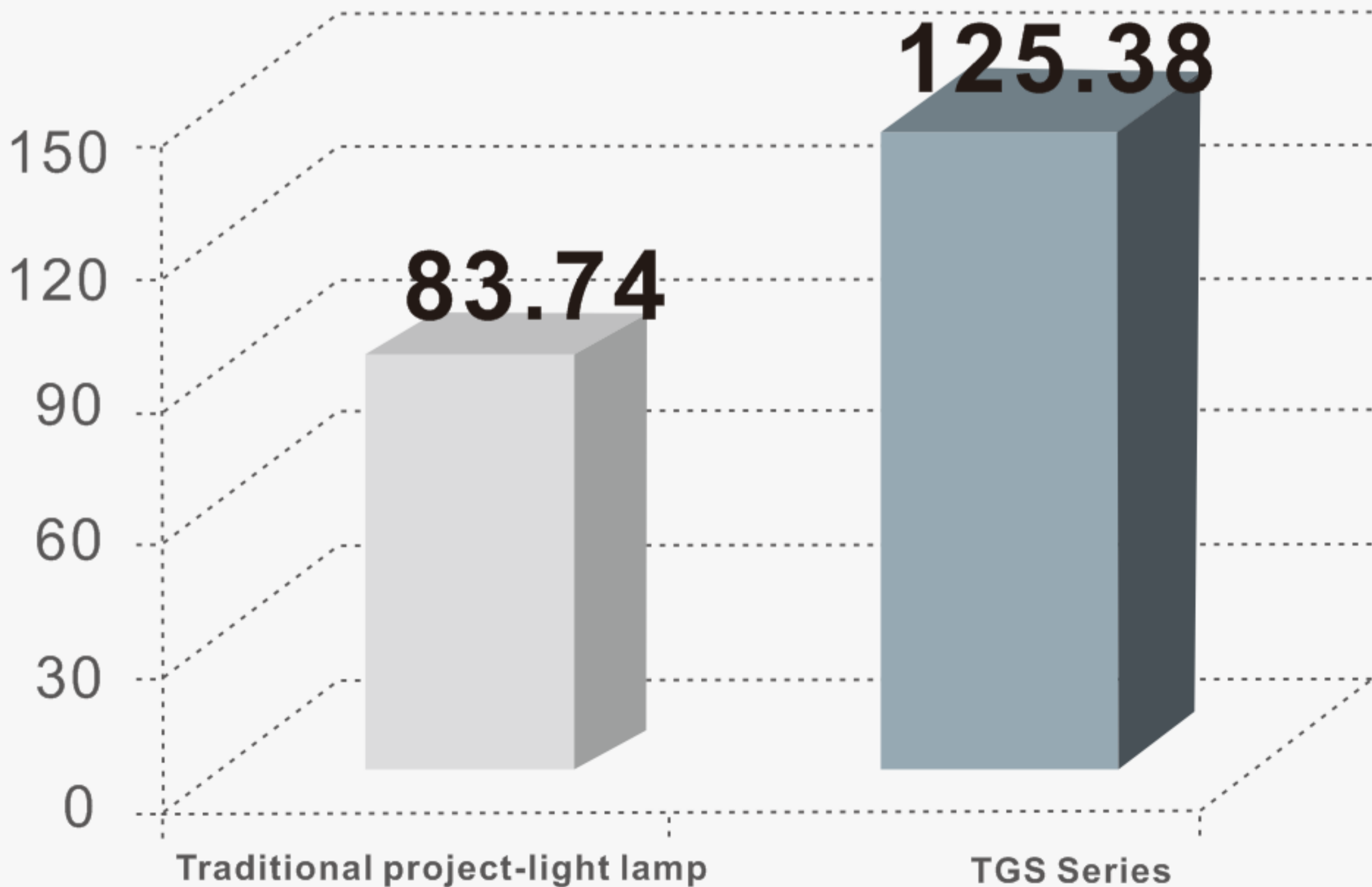
### 03/ PROFESSIONAL LIGHT DISTRIBUTION AND LIGHT EFFICIENCY INCREASED BY 50%

The same condition, TG3A project-light lamp series by professional optical design, compared to traditional cast light lighting effect can be improved 50%

(Note: only as illustrated below, with a series of contrast principle is the same)

Effect of the light contrast figure

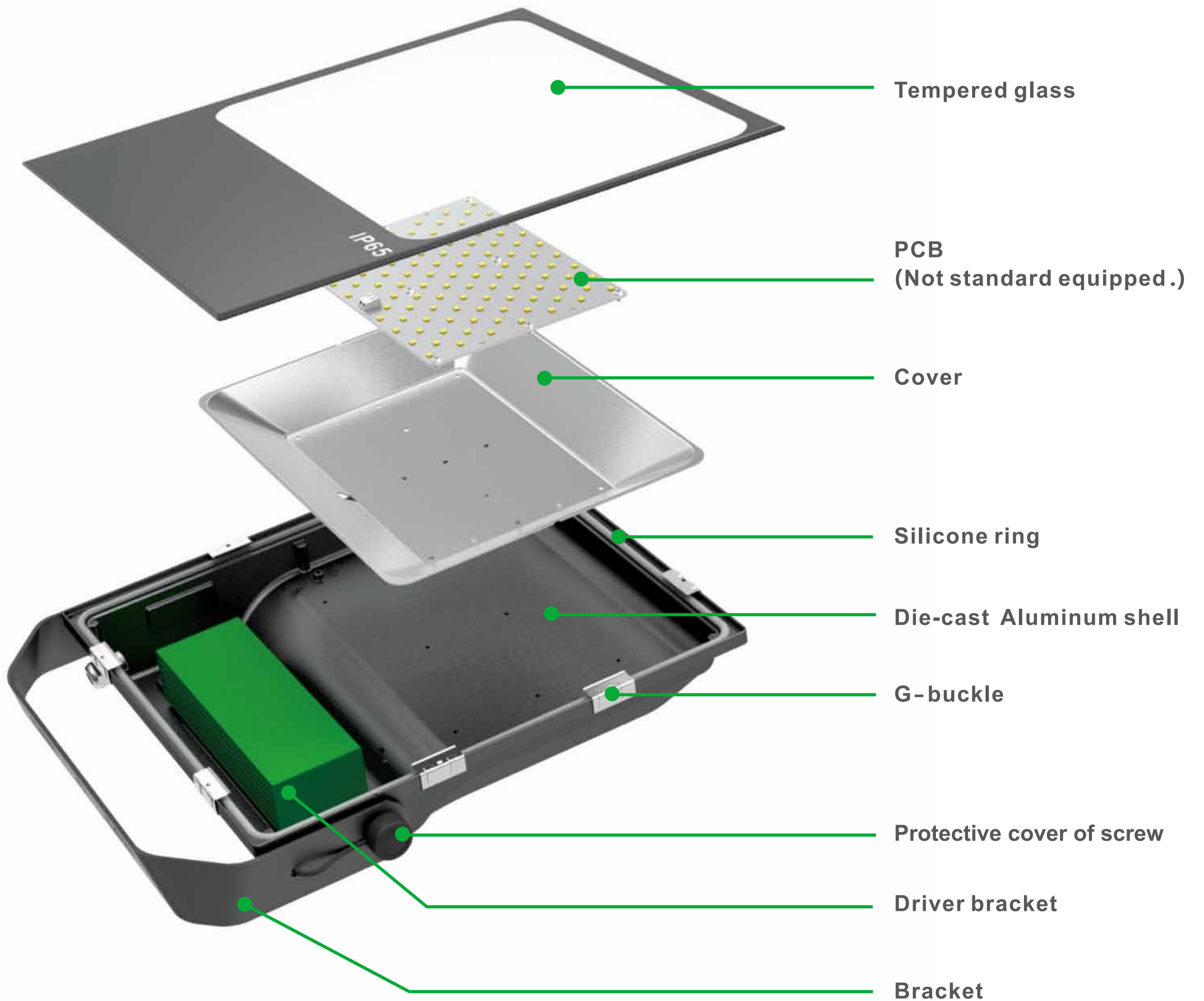
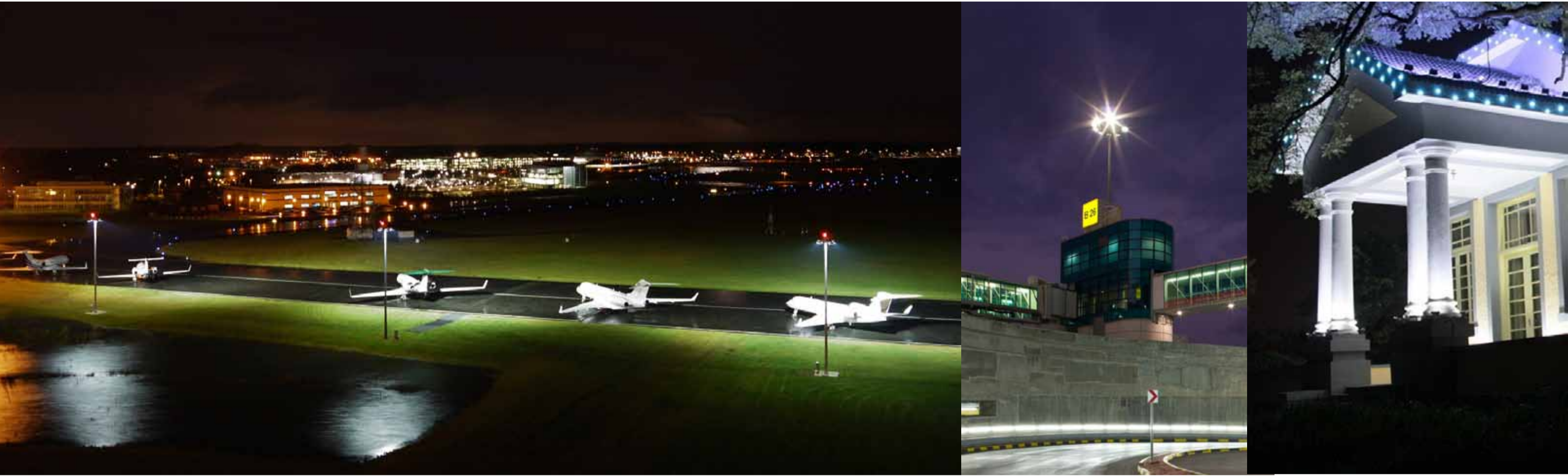
Unit : lm/W

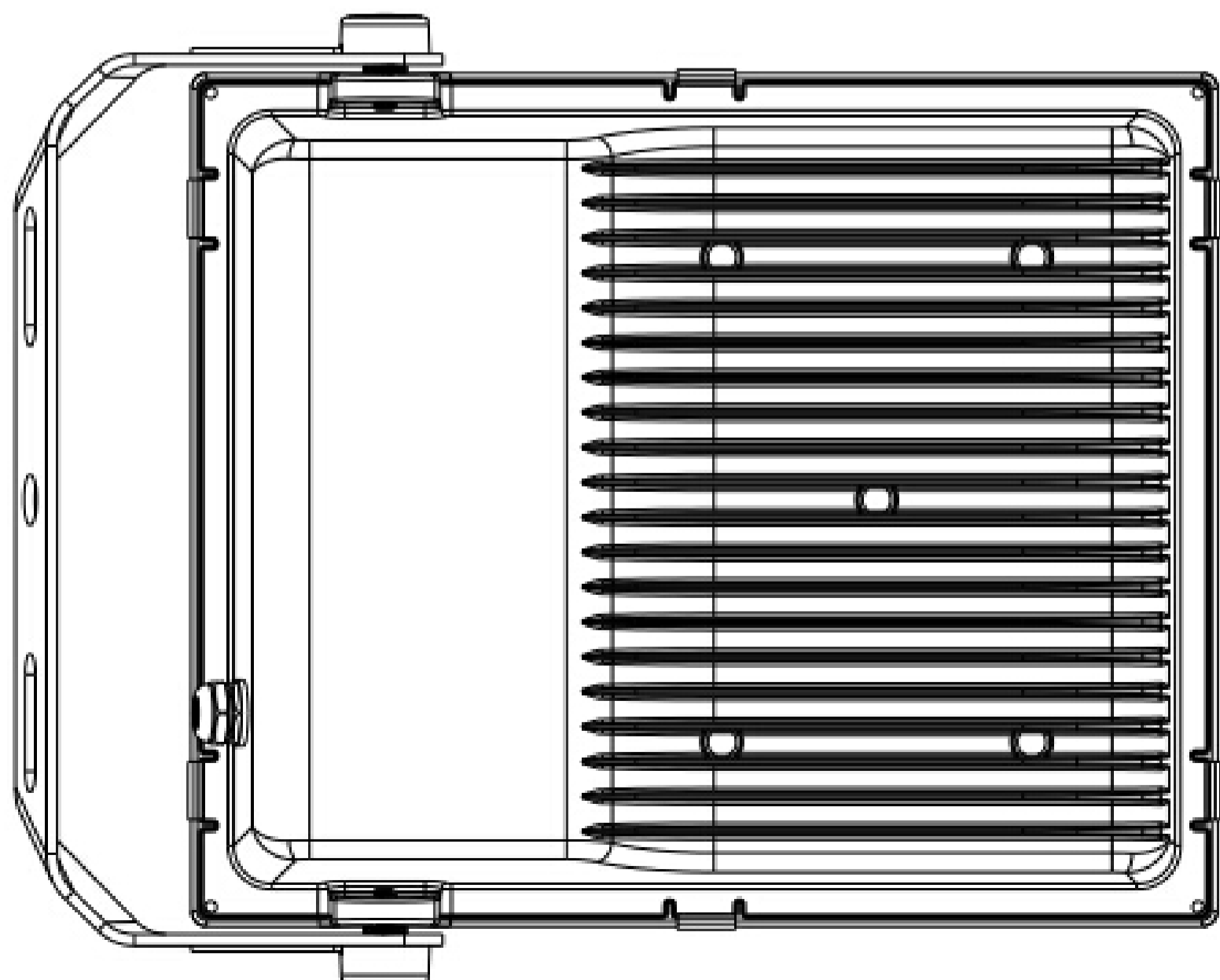
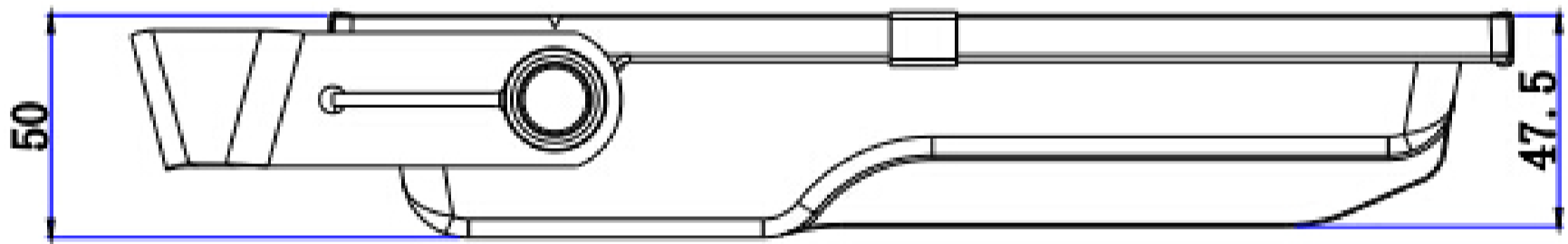
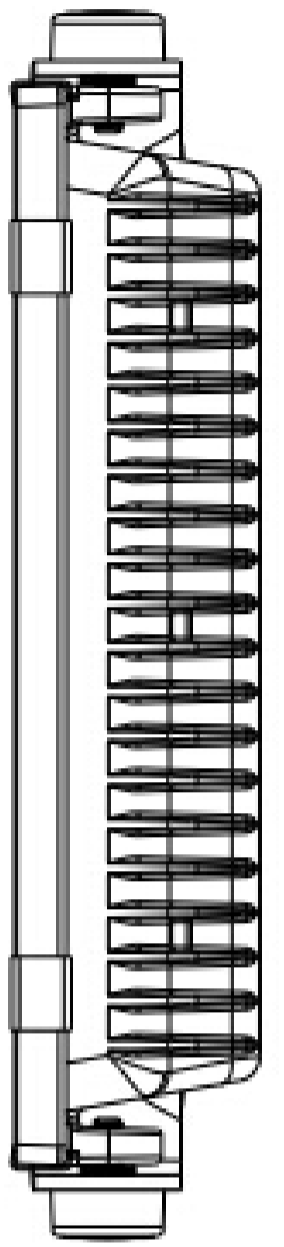
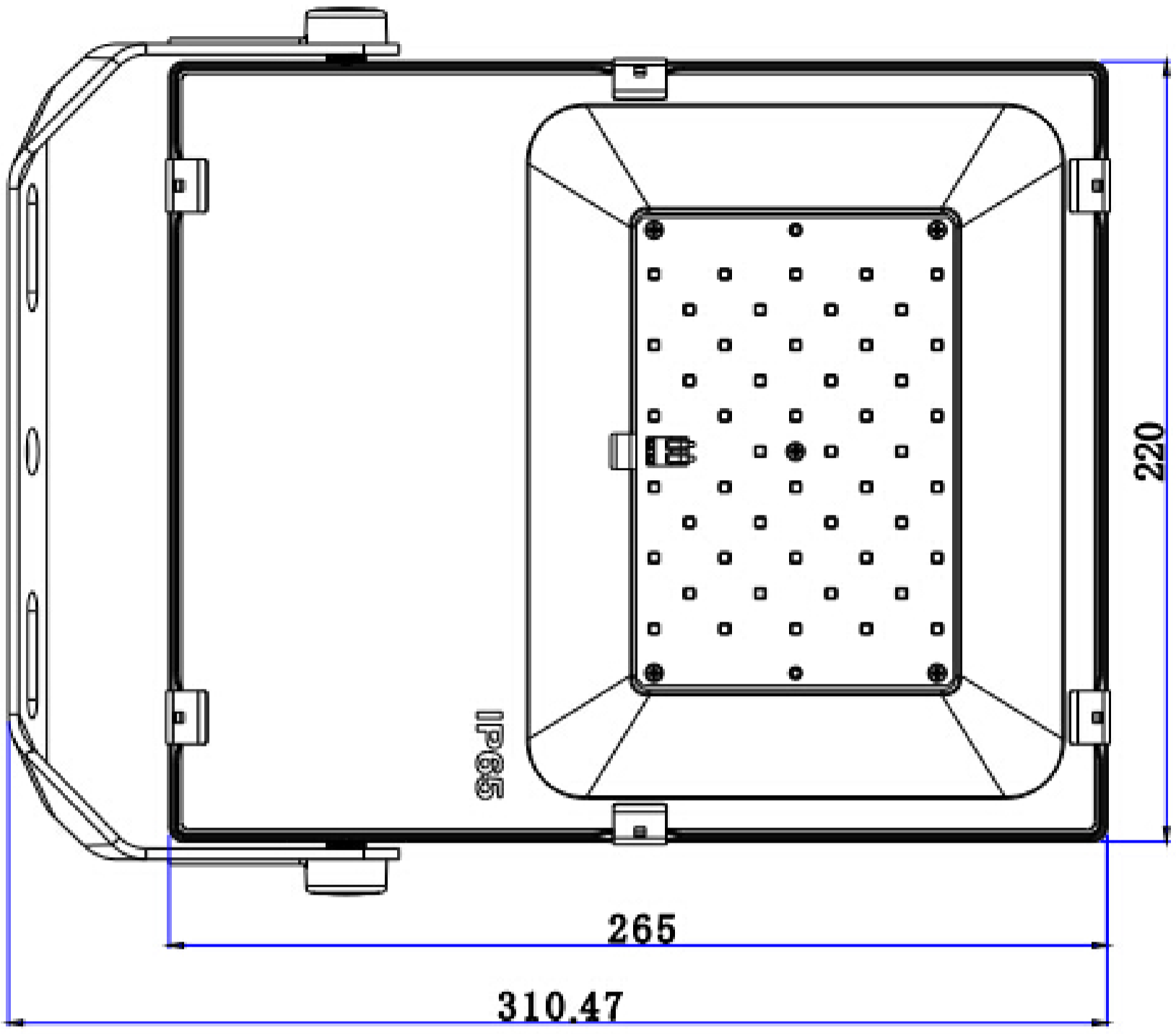
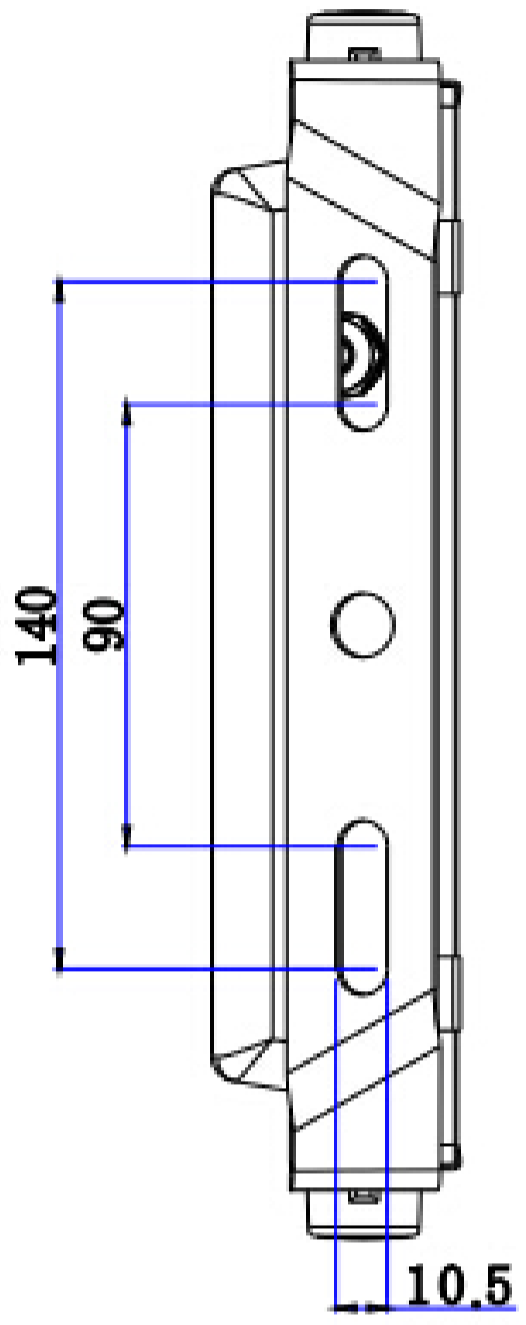
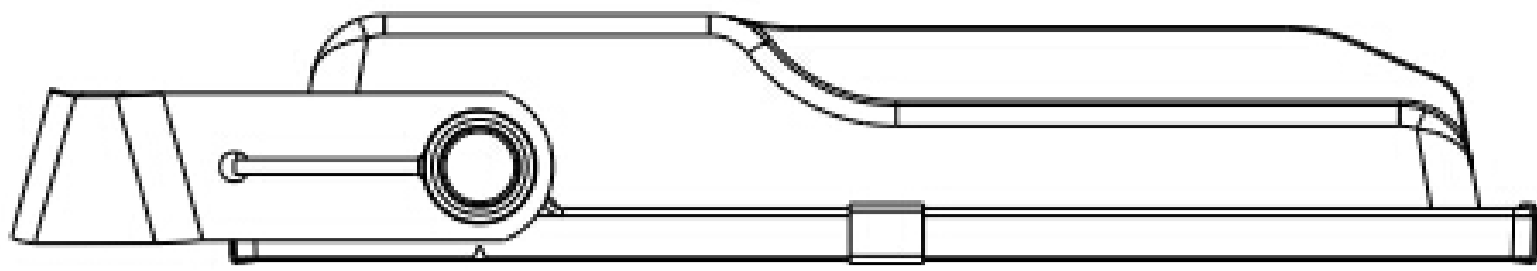


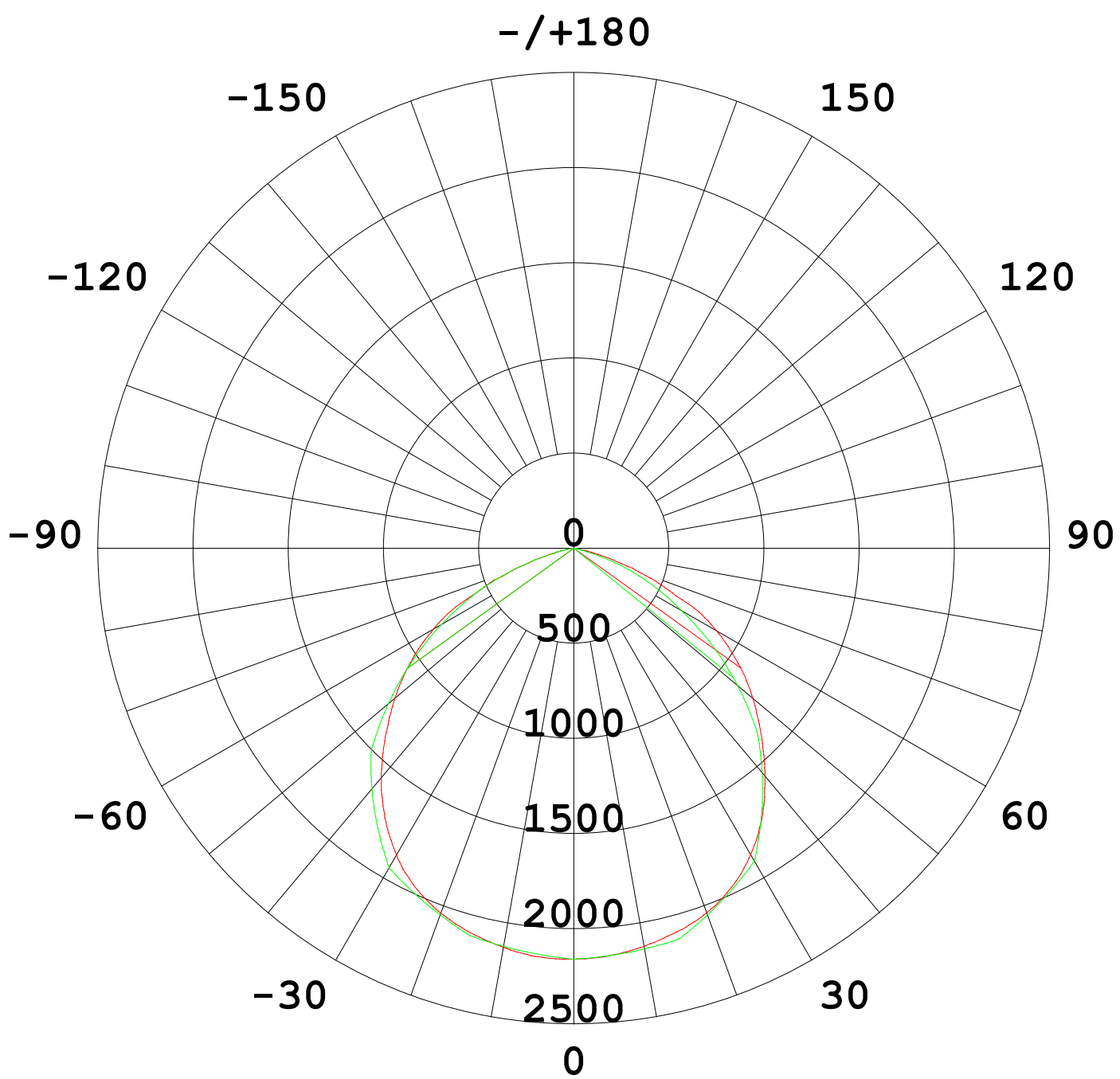


# APPLICATION PLACES

Widely used in shopping mall, exhibition hall, parking lot, playground, gymnasium, billboards, park, sculpture, national green lighting project, building facade and public corridor, stair corridor and other indoor and outdoor lighting.







16.4ft 5m	2.852, 8.026fc 30.69, 86.40lx	42.77ft 1303.72cm
32.81ft 10m	0.7129, 2.007fc 7.673, 21.60lx	85.55ft 2607.44cm
49.21ft 15m	0.3168, 0.8918fc 3.410, 9.600lx	128.3ft 3911.16cm
65.62ft 20m	0.1782, 0.5017fc 1.918, 5.400lx	171.1ft 5214.88cm
82.02ft 25m	0.1141, 0.3211fc 1.228, 3.456lx	213.9ft 6518.60cm
Height	Eavg, Emax	Diameter

LX-TGS50

LED CHIP MODEL

POWER

Light source



**PHILIPS**  
LUMILEDS

>100lm/ W  
50W



X 50



**OSRAM**  
Opto Semiconductors

>105lm/ W  
50W



X 50



**NICHIA**

>110lm/ W  
50W



X 50