

One hundred percent authentic manufacturer, more than 10 years experience in production of led light  
 With excelsior attitude, we aim to offer perfect product, as we believe vitality of a enterprise is depends on quality of product  
 5 years warranty, release innovative, reliable and high-performance LED light regularly  
 We care and take care of every inquiry, feedback and complaint of customers  
 Customer is partner, we pursuit profit, value and development with partner together

FLDS Series

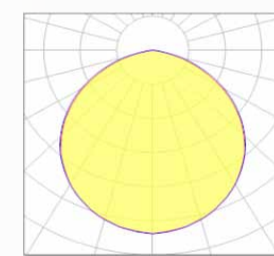
### Product Features

1. Innovative design, Streamline design classic aesthetics
2. 0/1-10v Dimmable, DALI, ZigBee, PLC dimmable system Optional
3. High efficacy up to 135 lm/W
4. 5-7 years warranty
5. Easy installation
6. Competitive price based on the similar quality
7. Surge Protection Devices (SPDs) 10KV/20KV Optional



Model No.: FLD400-400W

LED QTY: 420 pcs (3030)  
 Packing Type: 2 unit(s)/ctn  
 Inner Packing Dimension: 63.3x18.3x68.8cm 1pcs  
 Packing Dimension: 68.5x40x71.5cm 2pcs  
 NW: ≈13.1kg  
 GW: ≈14.95kg 1 unit(s)/ctn  
 GW: ≈31.4kg 2 unit(s)/ctn



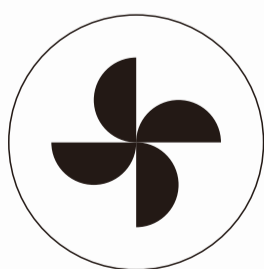
120°

LED By: LUMILEDS

Powered By:



Protection grade reaches Ip65



Anti-Level-17 hurricane



270° Adjustable

Working Temperature: -40-50°C

Working Humidity: 10%~95%RH

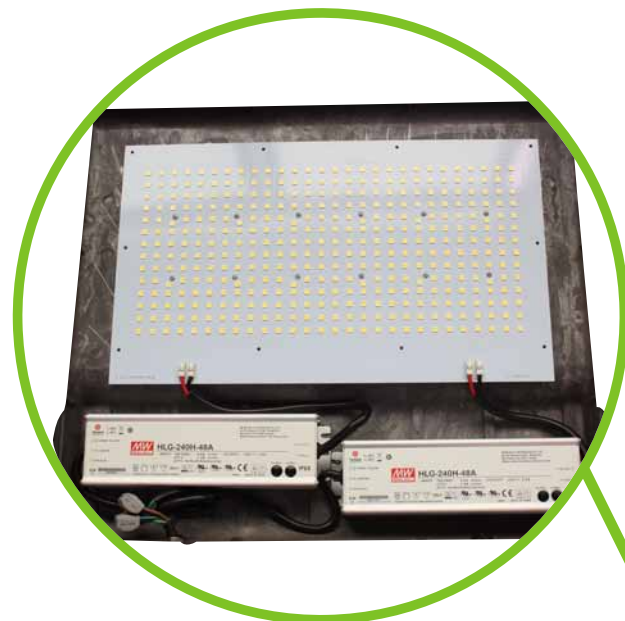
Best Working Temperature: -20 C ~ +30°C

Storage Temperature: -40 C ~ +80 C



## SURFACE TREATMENT

Powder baking process, strengthen the lamp body surface strength and corrosion resistance.



## INTEGRATED DESIGN

Simple & graceful appearance, with integrated design. The lamp and driver box are integrated.



## ROTATABLE DIAL

Clear dial, 270° adjustable, Adjust as you want.

## DESIGN INNOVATION, EFFECTIVE PROTECTION

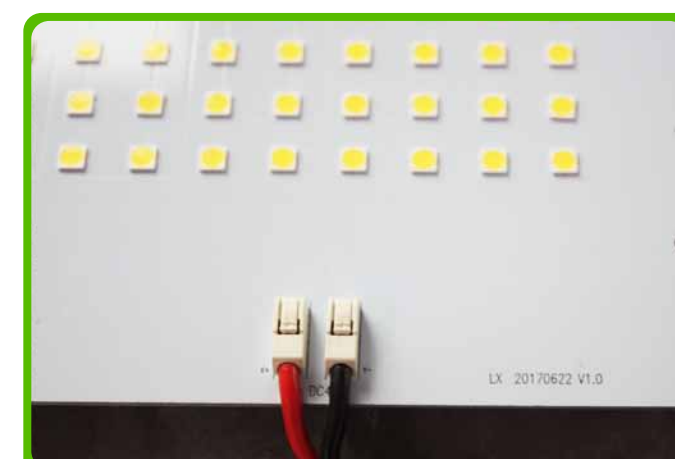


Innovative G-buckle technology

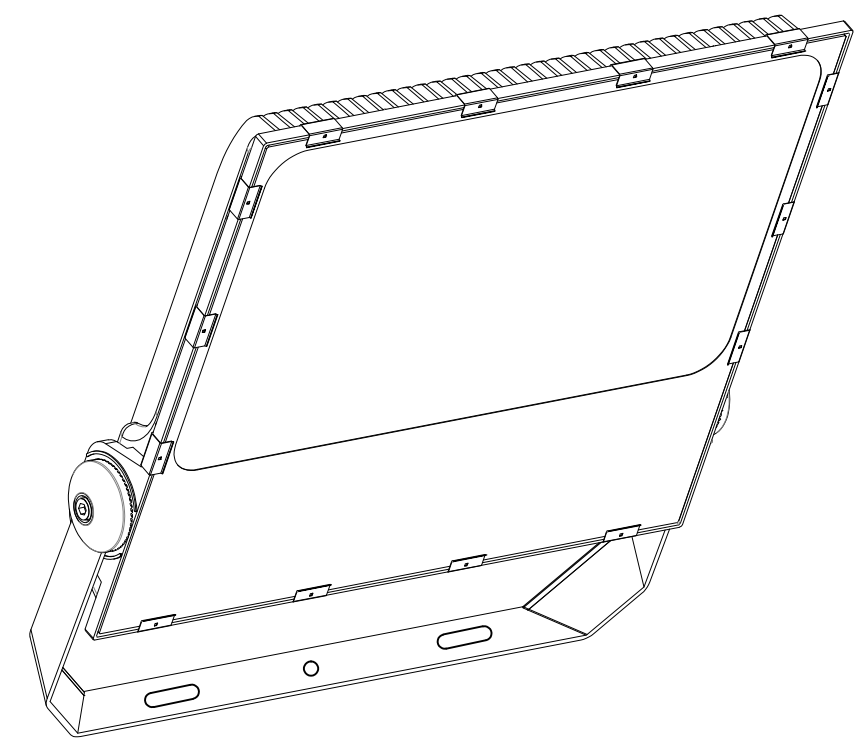
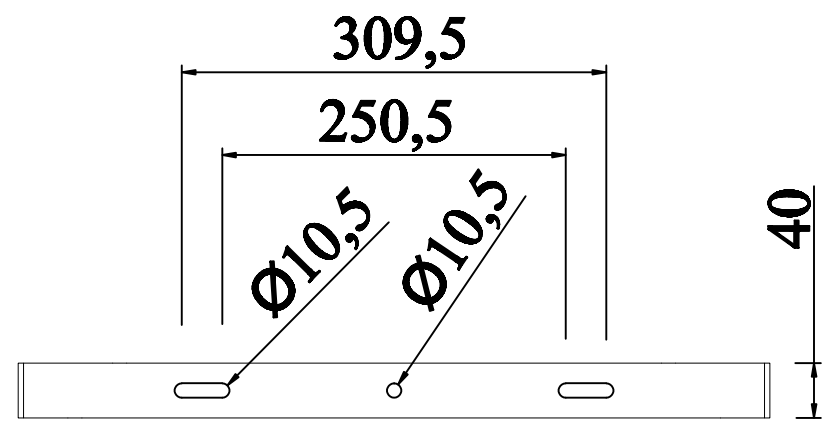
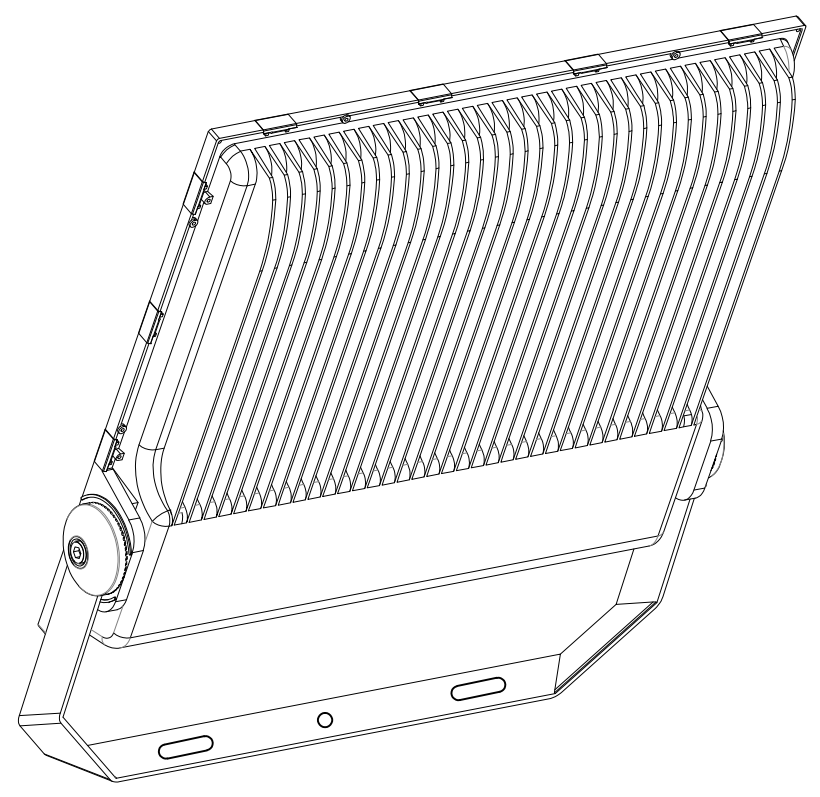
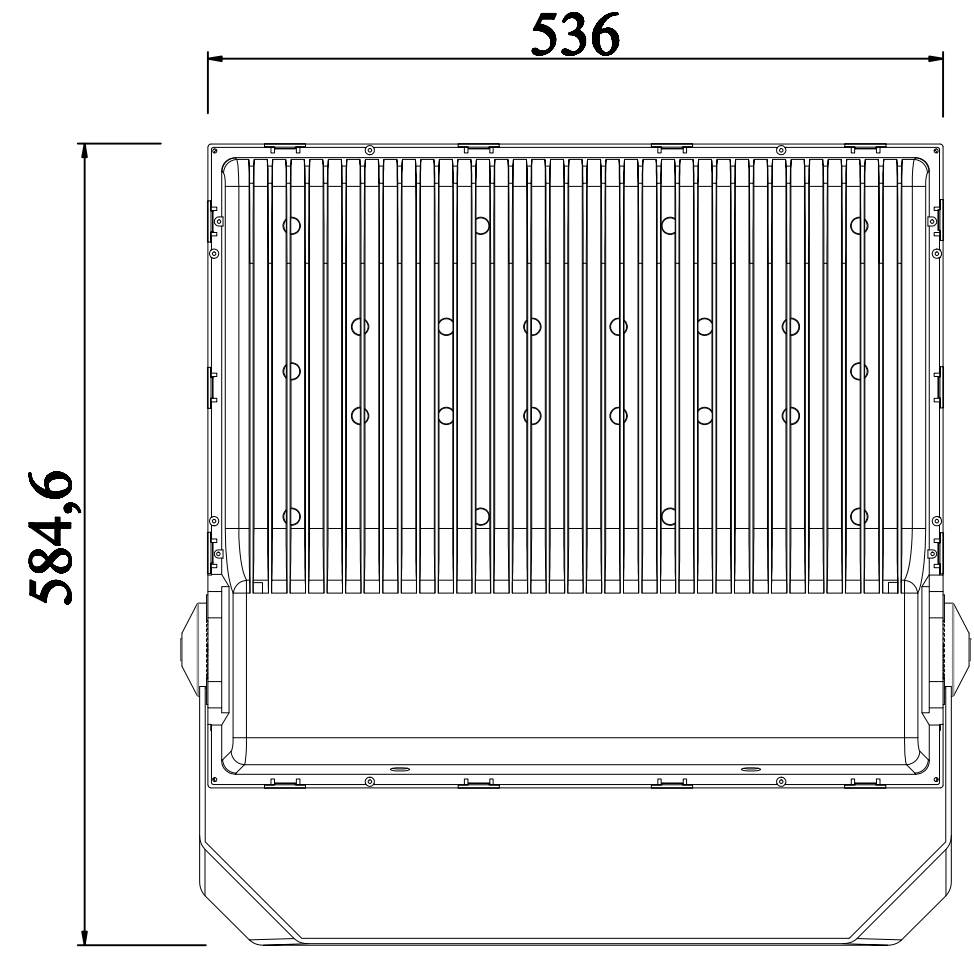
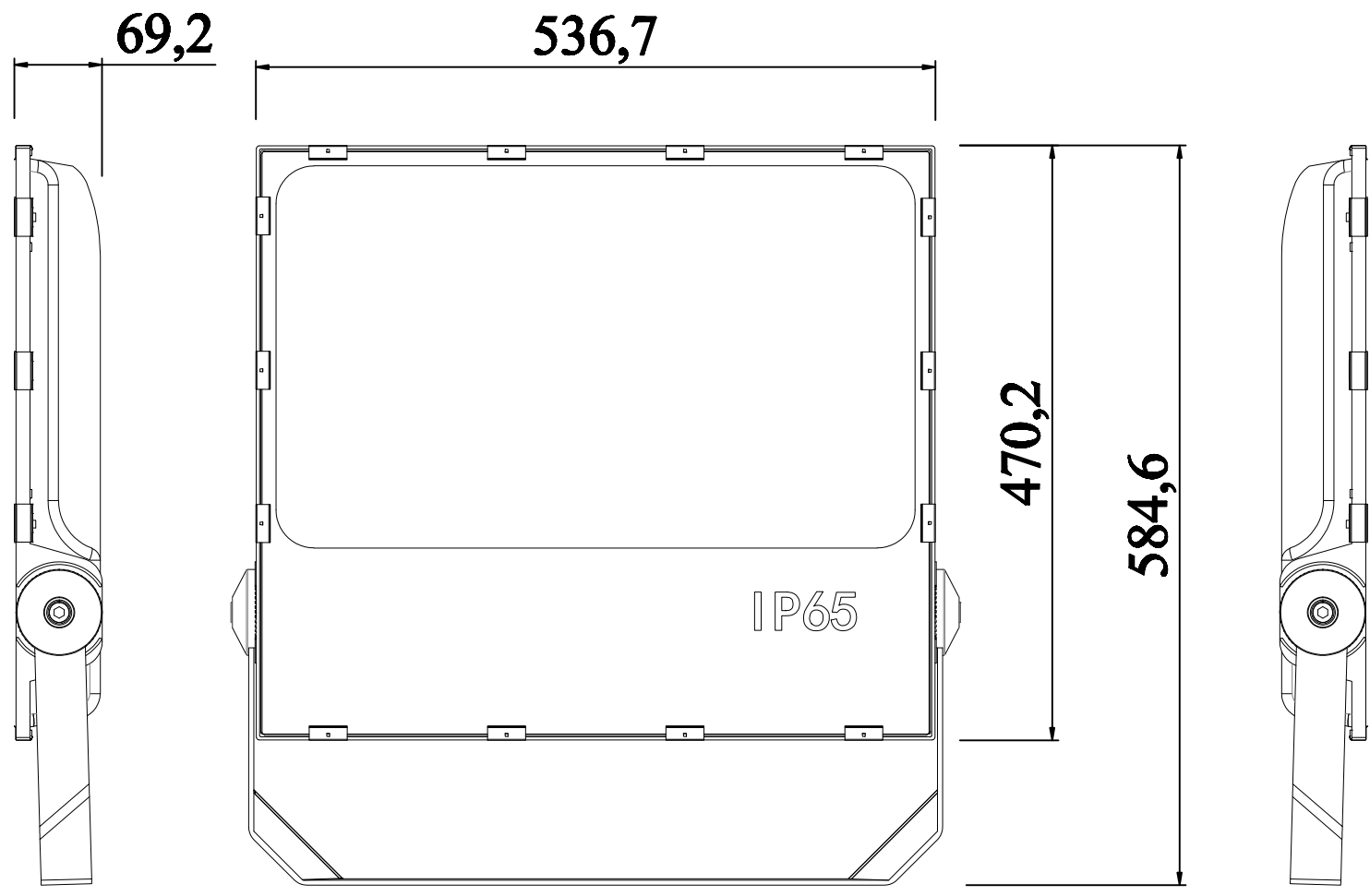
Innovative G-buckle technology, prevent glass off, free of screw fixing, elegant appearance, easy for assembling.



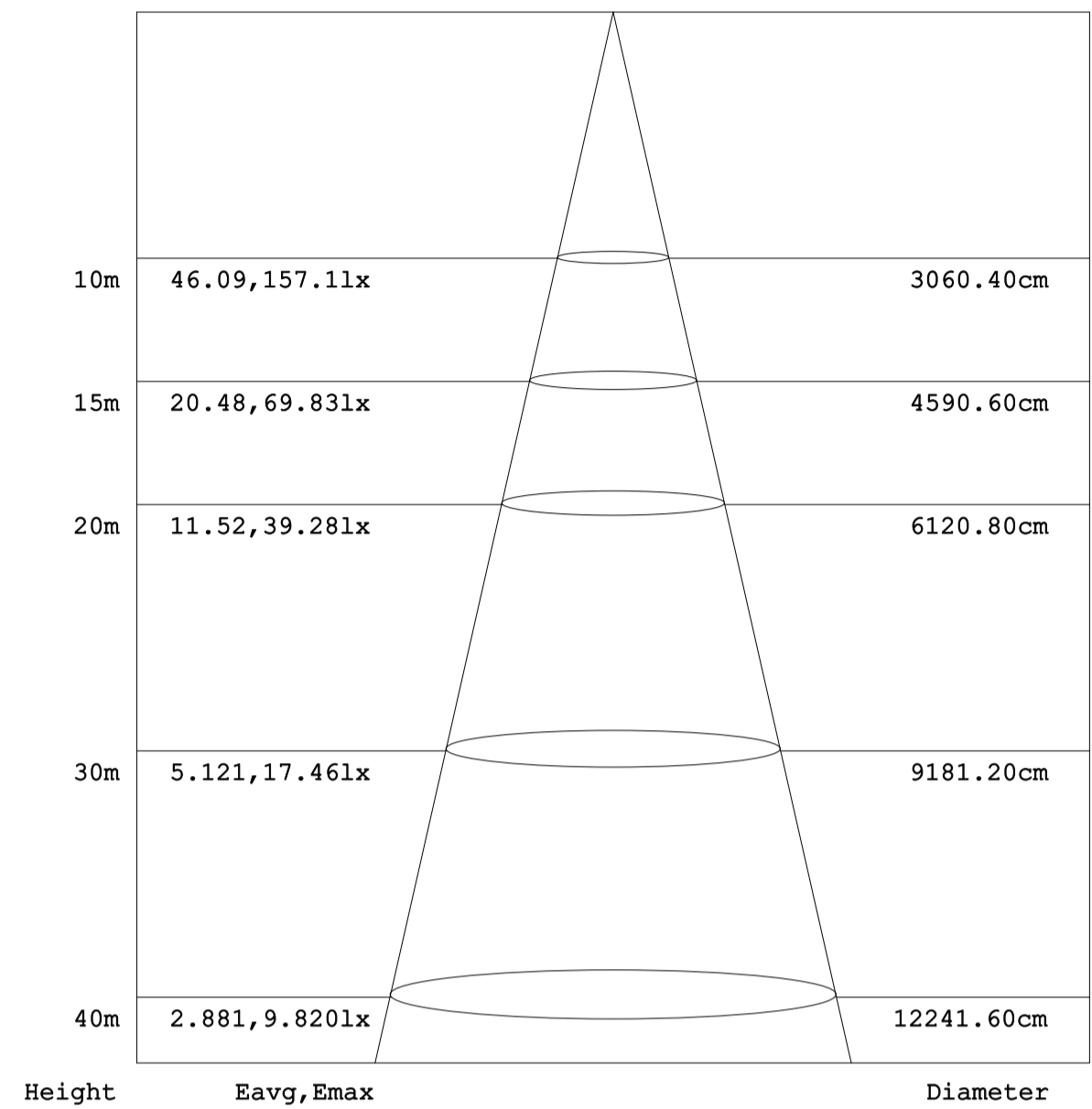
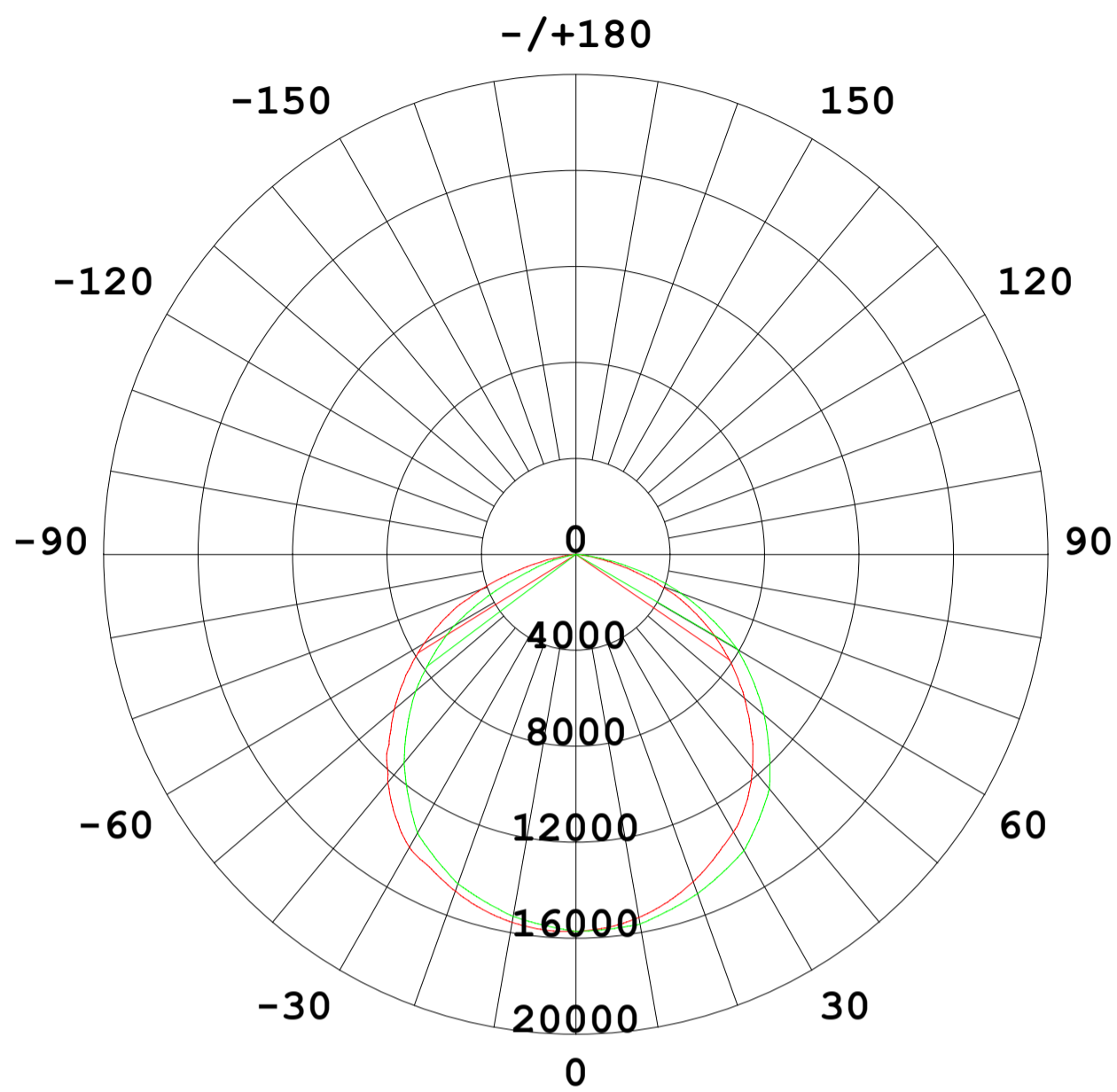
Use German **WAGO®** connectors for input wiring, safe, convenient & fast.



Use German **WAGO®** SMD PCB terminal block for output wiring, safe, convenient & fast.







LX-TGS400-400W

LED CHIP MODEL

EFFICIENCY POWER

LIGHT SOURCE

QUANTITY



**LUMILEDS**

>130 Lm/ W  
400W



**X420**



**OSRAM**  
Opto Semiconductors

>115 Lm/ W  
400W



**X420**



**NICHIA**

>120 Lm/ W  
400w



**X420**