

One hundred percent authentic manufacturer, more than 10 years experience in production of led light
 With excelsior attitude, we aim to offer perfect product, as we believe vitality of a enterprise is depends on quality of product
 5 years warranty, release innovative, reliable and high-performance LED light regularly
 We care and take care of every inquiry, feedback and complaint of customers
 Customer is partner, we pursuit profit, value and development with partner together



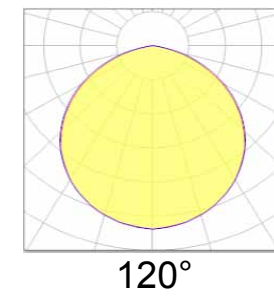
Product Features

1. Innovative design, Streamline design classic aesthetics
2. 0/1-10v Dimmable, DALI, ZigBee, PLC dimmable system Optional
3. High efficacy up to 135 lm/W
4. 5-7 years warranty
5. Easy installation
6. Competitive price based on the similar quality
7. Surge Protection Devices (SPDs) 10KV/20KV Optional



Model No.: FLD300-300W

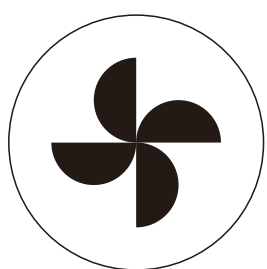
LED QTY: 308 pcs (3030)
 Packing Type: 2 unit(s)/ctn
 Inner Packing Dimension: 63.3x18.3x68.8cm 1pcs
 Packing Dimension: 68.5x40x71.5cm 2pcs
 NW: ≈12.9kg
 GW: ≈14.75kg 1 unit(s)/ctn
 GW: ≈31.0kg 2 unit(s)/ctn



LED By: LUMILEDS



Protection grade reaches Ip65



Anti-Level-17 hurricane



270 ° Adjustable



Working Temperature: -40-50°C

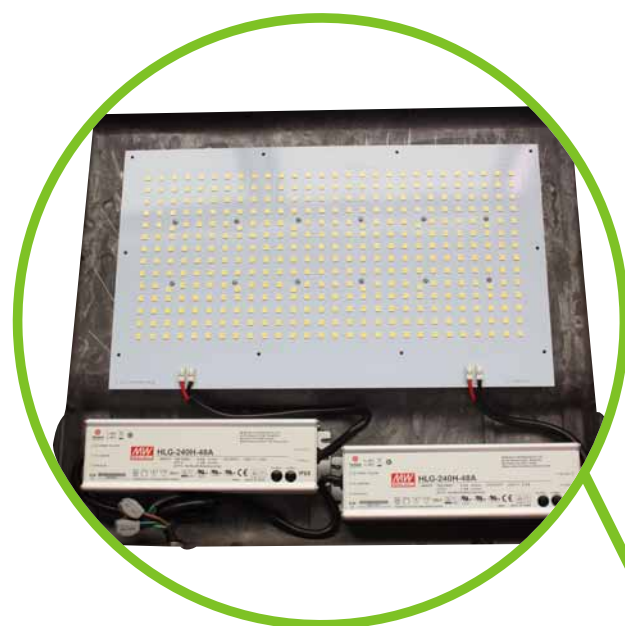
Working Humidity: 10%~95%RH

Best Working Temperature: -20 C ~ +30°C

Storage Temperature: -40 C ~ +80 C

SURFACE TREATMENT

Powder baking process, strengthen the lamp body surface strength and corrosion resistance.



INTEGRATED DESIGN

Simple & graceful appearance, with integrated design. The lamp and driver box are integrated.



ROTATABLE DIAL

Clear dial, 270° adjustable, Adjust as you want.

DESIGN INNOVATION, EFFECTIVE PROTECTION

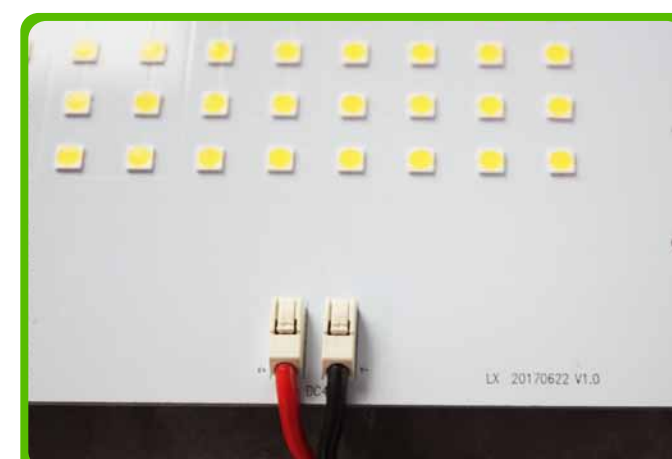


Innovative G-buckle technology

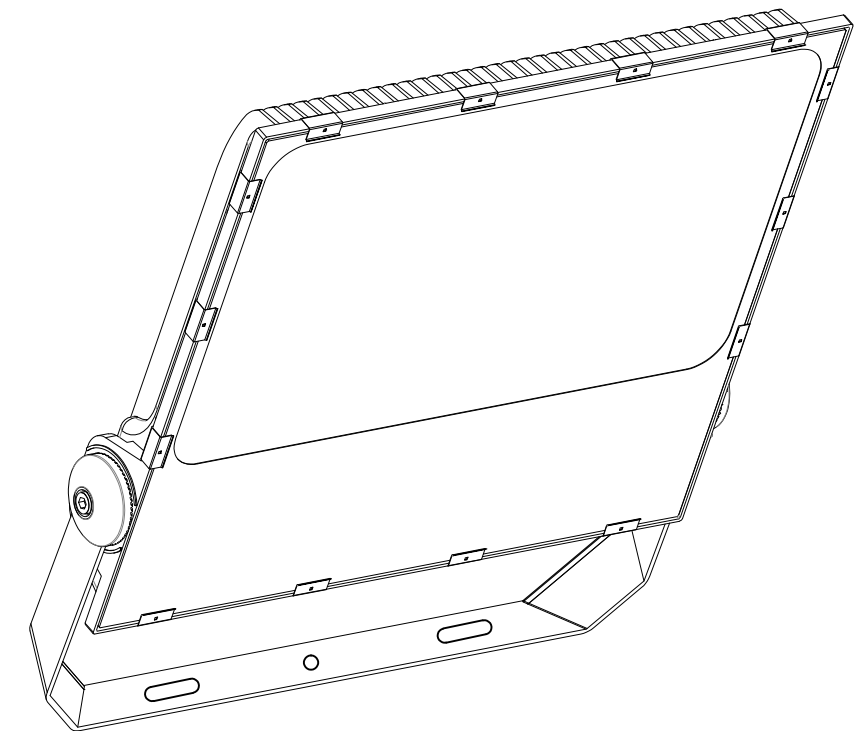
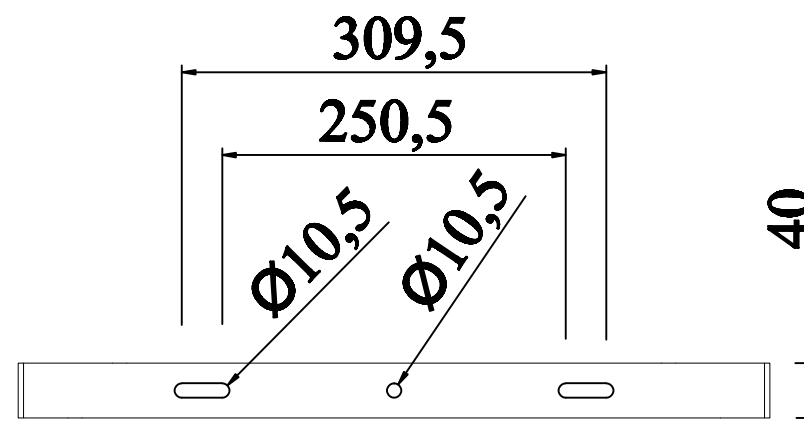
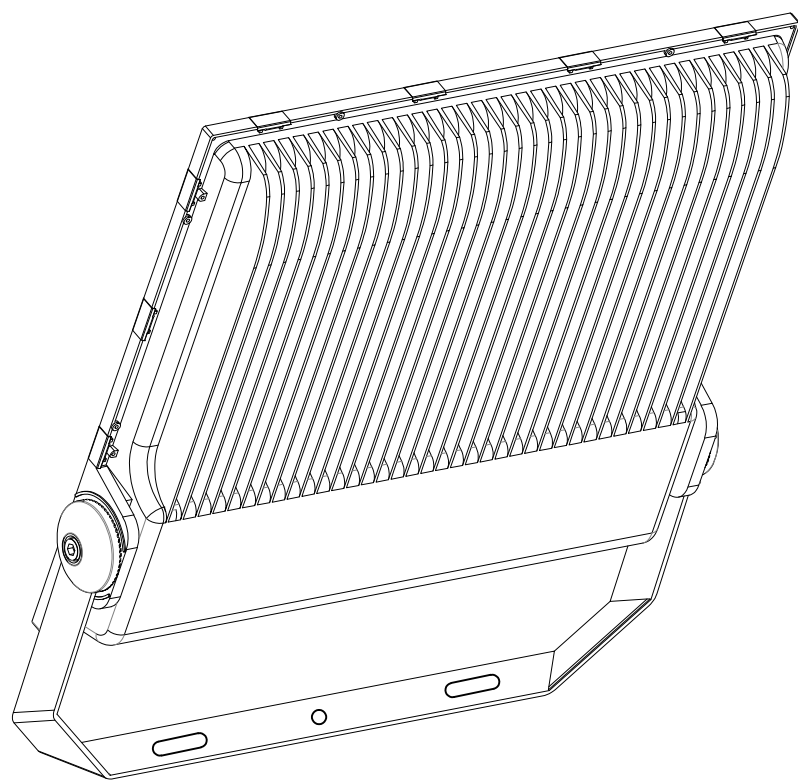
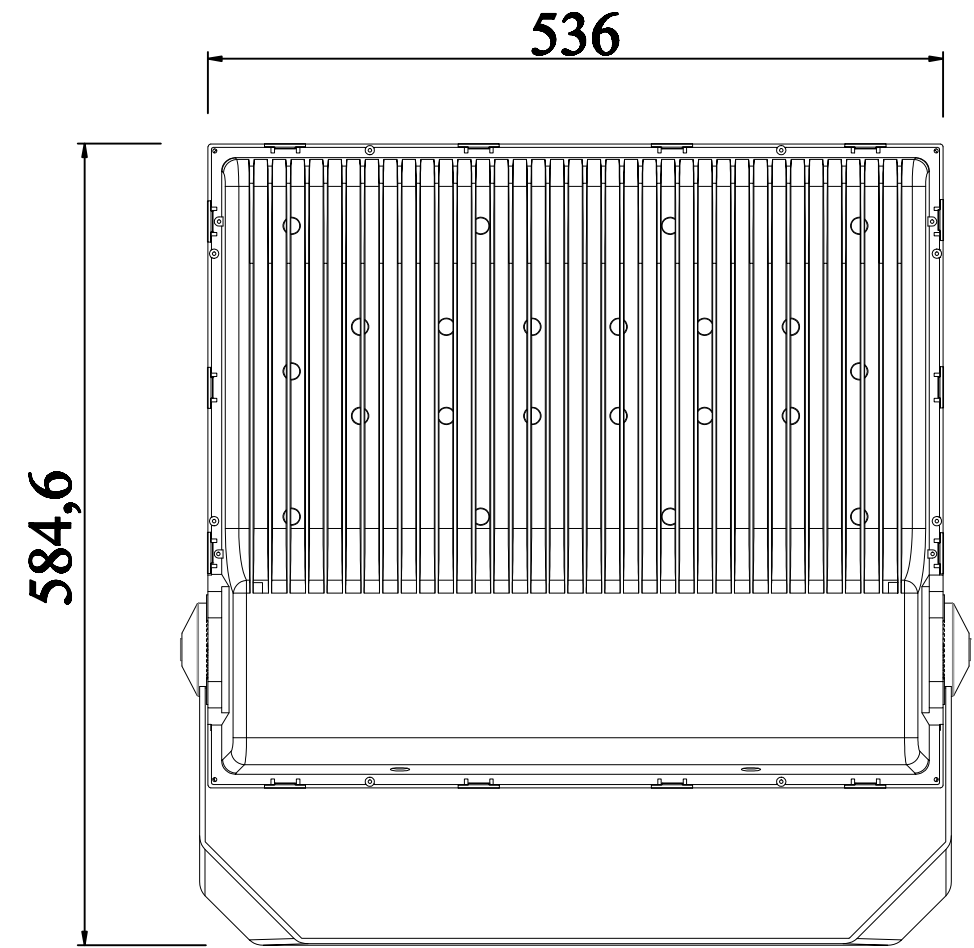
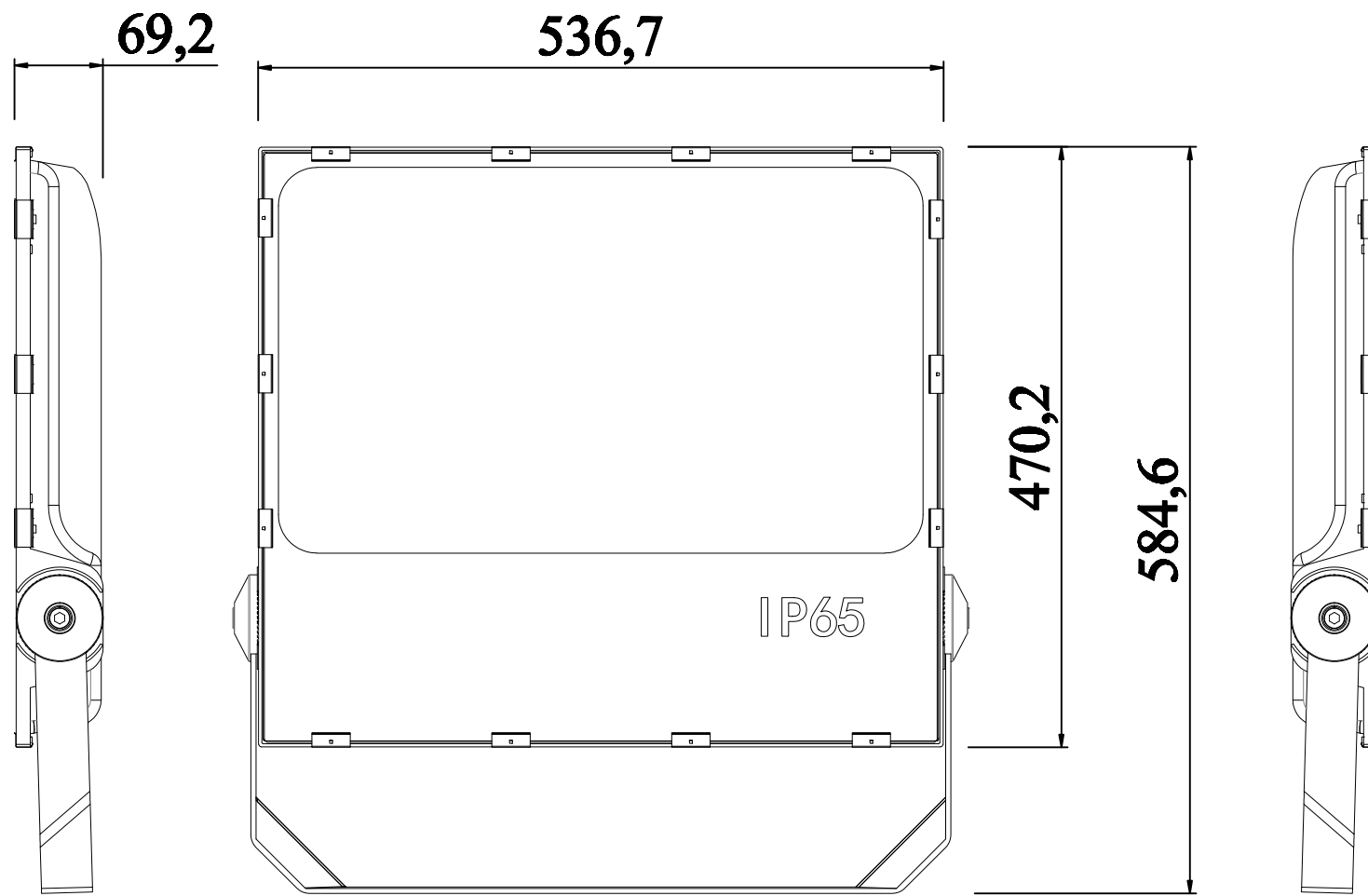
Innovative G-buckle technology, prevent glass off, free of screw fixing, elegant appearance, easy for assembling.

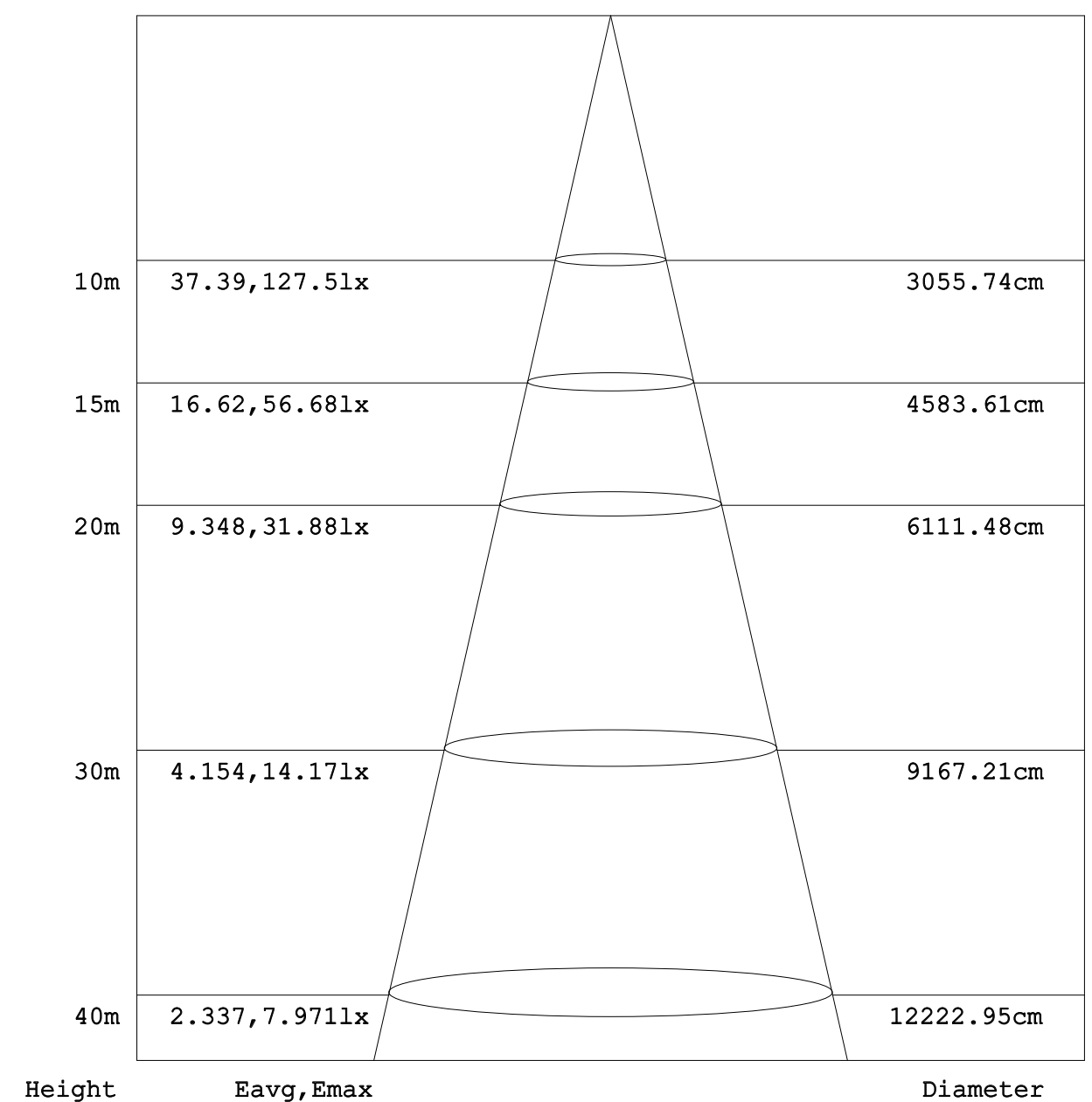
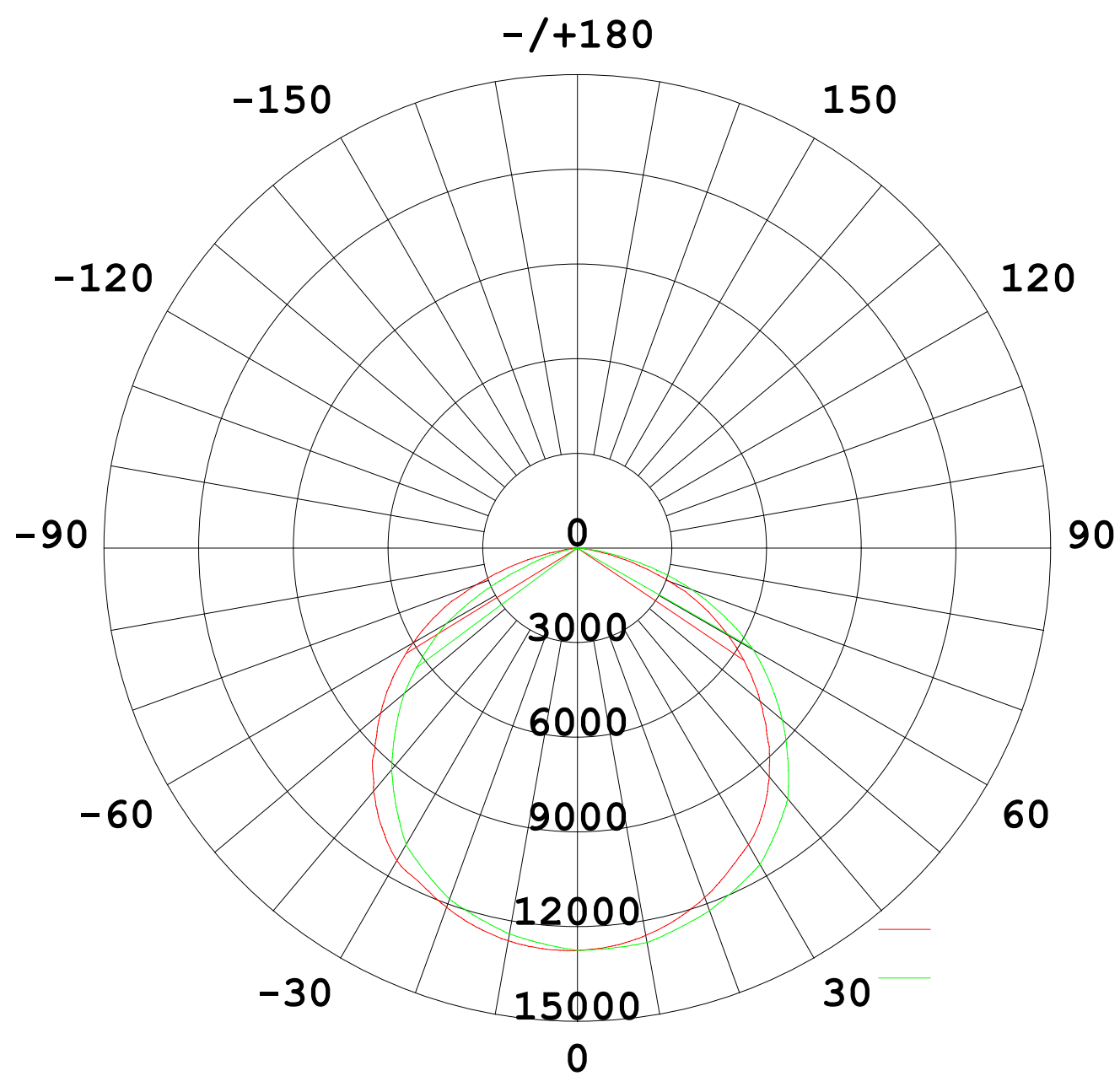


Use German **WAGO®** connectors for input wiring, safe, convenient & fast.



Use German **WAGO®** SMD PCB terminal block for output wiring, safe, convenient & fast.





LX-TGS300-300W

LED CHIP MODEL

EFFICIENCY POWER

LIGHT SOURCE

QUANTITY



LUMILEDS

>135 Lm/ W
300W



X308



OSRAM
Opto Semiconductors

>115 Lm/ W
300W



X308



NICHIA

>120 Lm/ W
300w



X308