

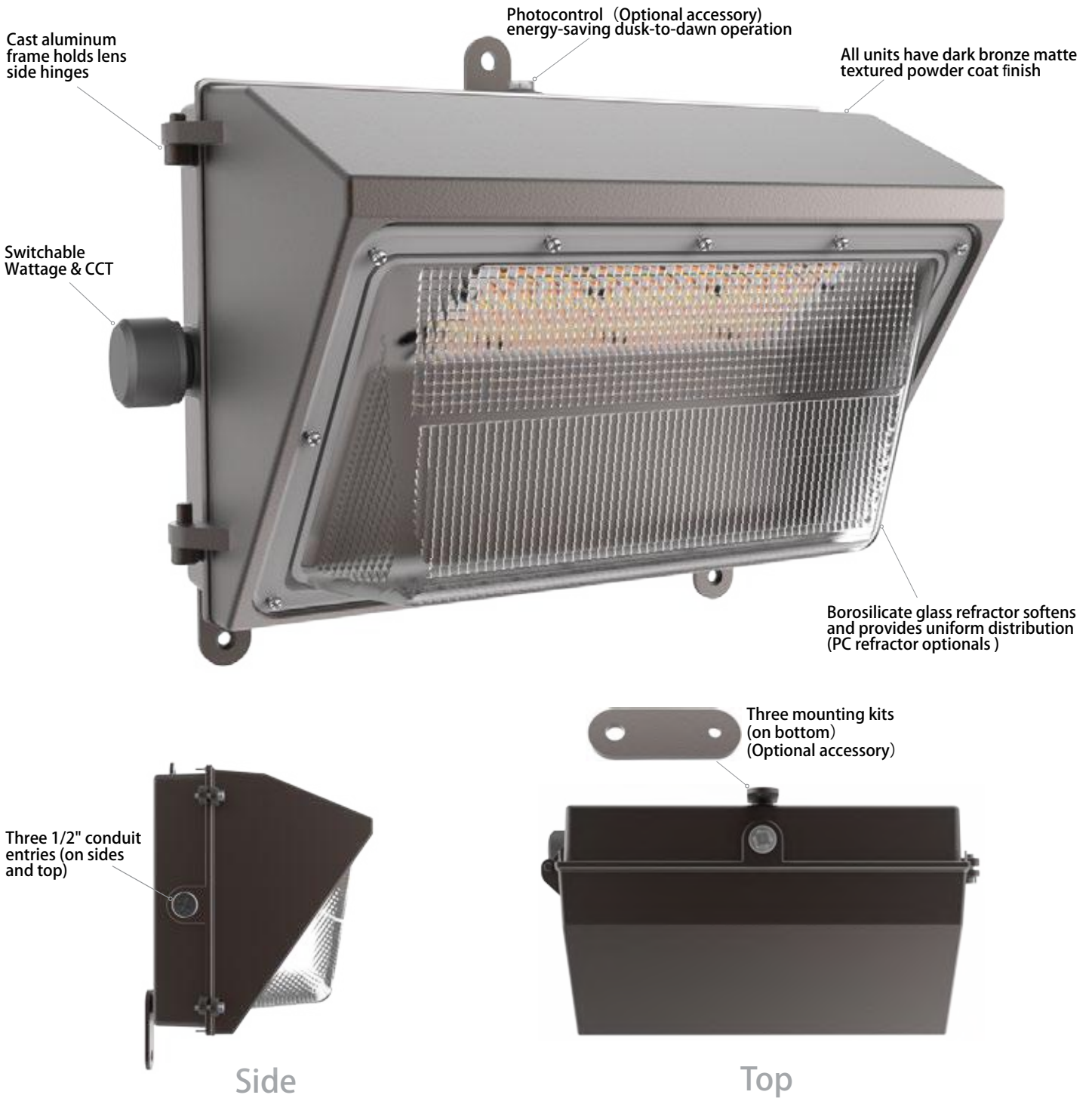
# INUI WP360E Switchable Wallpacks



UL LISTED E481383 ETL LISTED Intertek 5003016 DLC LISTED LM-79 LM-80 CE RoHS IP65 5 YEAR WARRANTY

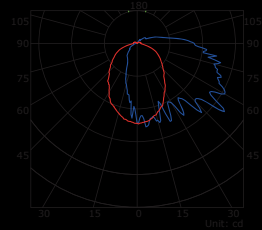
INUI  
Outdoor Light

**Wall-pack light** is one of the most dependable lights for outdoor lighting luminaire. It is designed for areas like outdoor lighting and courtyard illumination. Now available with dip-switch-able wattage and colour temperature. Additionally these wall-packs feature robust construction, industry leading optical characteristics and quality manufacturing, making the refractor wall-packs the most desired refractor solution for perimeter/area lighting.





# WP360E



Catalog Number	Wattage	Delivered Lumens	Voltage	CCT	Dist. Type	Mounting Height	Weight lbs. (kg)
INUI-WP360E-30-60W	30 – 60w	4,600 – 9,000	100-277Vac	3000K, 4000K, 5000K	IV	Up to 25 ft.	7.72 (3.5)
INUI-WP360E-70-100W	70 – 100w	9,800 – 15,000	100-277Vac	3000K, 4000K, 5000K	IV	Up to 35 ft.	9.48 (4.3)
INUI-WP360E-110-150W	110 – 150w	16,000 – 22,500	100-277Vac	3000K, 4000K, 5000K	IV	Up to 35 ft.	10.1 (4.6)



# Easy To Make Inventory Reserve



**Power Selectable**

**CCT Selectable**

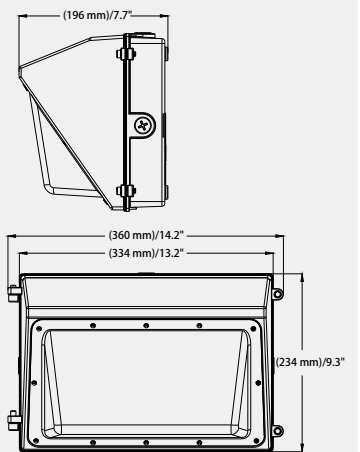
*Switchable from xx to xx watts,  
CCT switchable 3K, 4K, 5K*

Individual switches mounted outside the luminaire allow users to switch the colour temperature and wattage in the field.



DIP Switch  
Power Selectable

## DIMENSIONS



PACKAGE

Package Master  
1

Package : 400x250x235mm  
15.8x9.8x9.3inch