

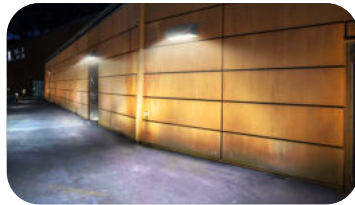
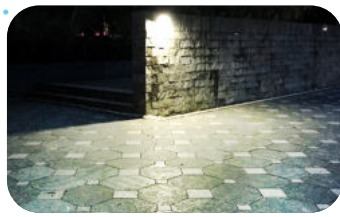
INUI

Innovative LED Light Manufacturer



DWP25

DESIGNED FOR WALL



INUI LTD

Tel: +44 01509 266355

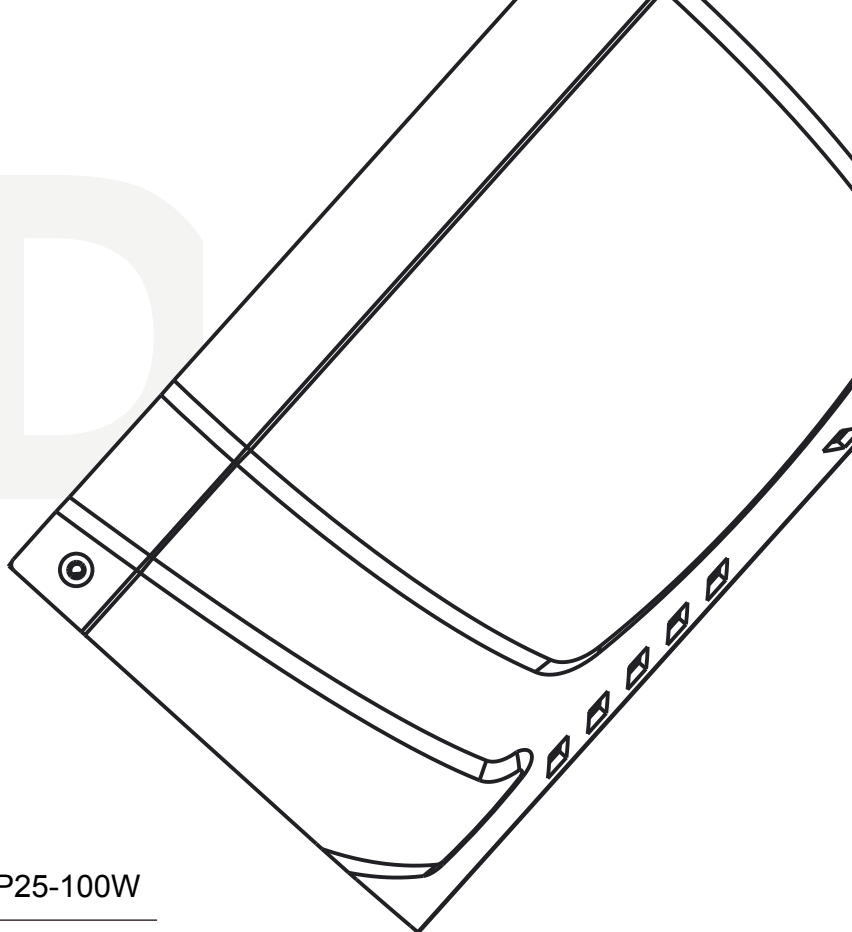
Web: www.inui.co.uk

E-mail: sales@inui.co.uk

ADD: Unit 4 Beaumont Court, Prince William Road, Loughborough, LE11 5DA

DWP25

WALL LIGHT



DWP25-50W

7,500LM±5%
1.53kg±5%
280x134x112mm

DWP25-80W

12,000LM±5%
1.70kg±5%
280x134x112mm

DWP25-100W

15,000LM±5%
1.70kg±5%
280x134x112mm

DWP25-150W

22,500LM±5%
2.80kg±5%
345x172x163mm

DWP25-200W

30,000LM±5%
2.85kg±5%
345x172x163mm

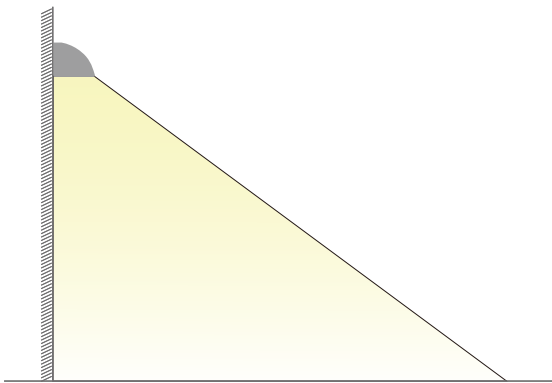
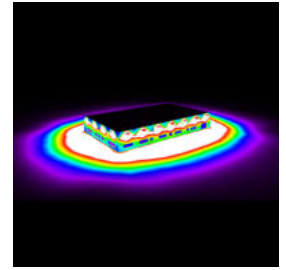
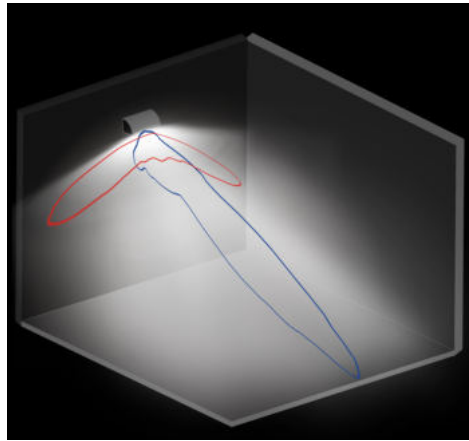
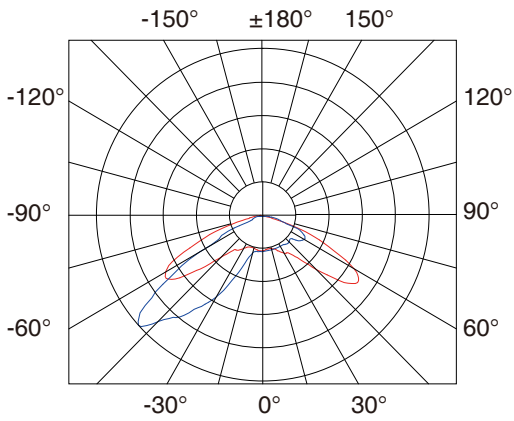
WATTAGE	25/50/80/100/120/150/200W
LAMP EFFICIENCY	150LM/W±5%
CRI	Ra>70/80
CCT	2700-6500K
RATED VOLTAGE	AC 100-240V 277V~, 50/60Hz
POWER FACTOR	>0.95
BEAM ANGLE	Asymmetric G6
IP GRADE	IP66
IK GRADE	IK10
OPERATING TEMP	-40 °C ~60 °C



Asymmetric G6

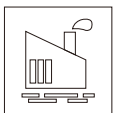
Asymmetric optic lens G6 is designed for wall installation.

Dialux Simulation



Asymmetric Optics Design

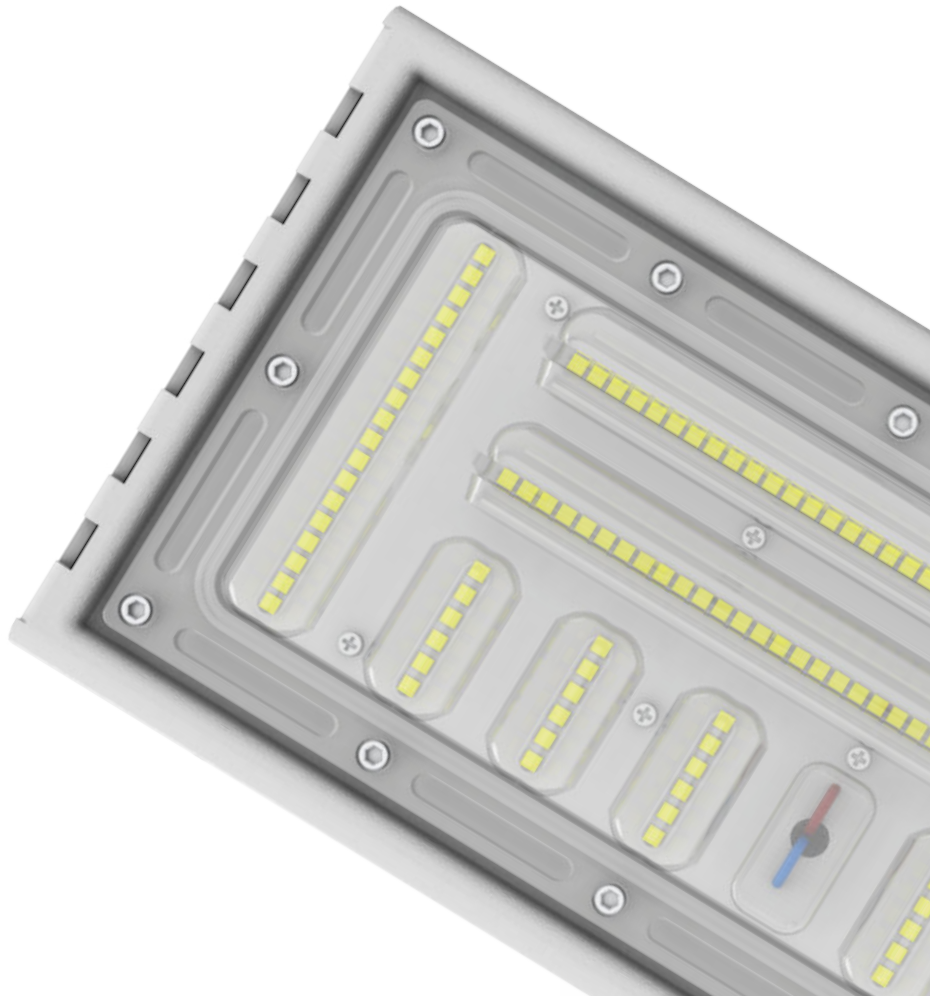
Application



Factory



Warehouses



Feature

Three Advantages

- Thinner in size

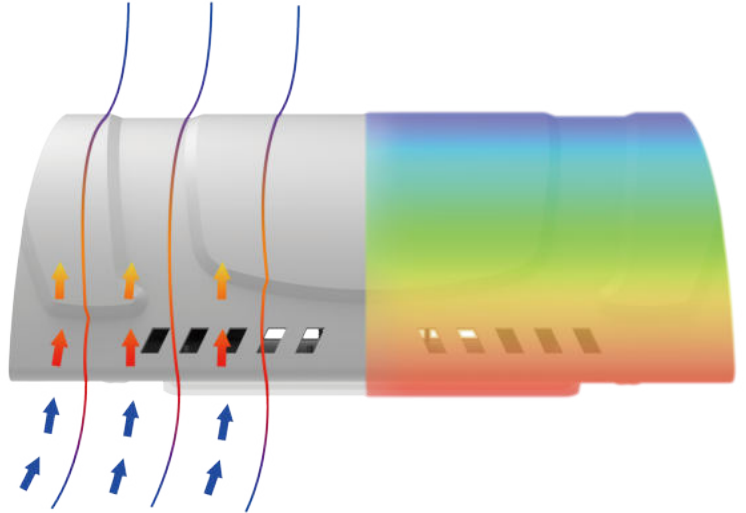
The thickness is only 2.5mm, so that the conduction heat can be directly converted.

- Larger in spaces

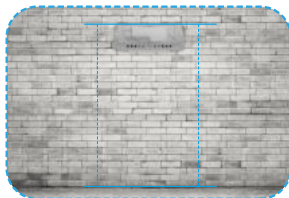
There are 36 convection channels, and the convection radiation channel is increased to dissipate heat quickly.

- Better in materials

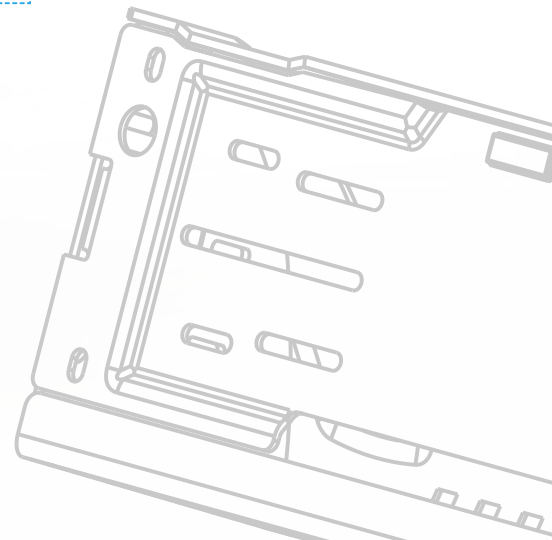
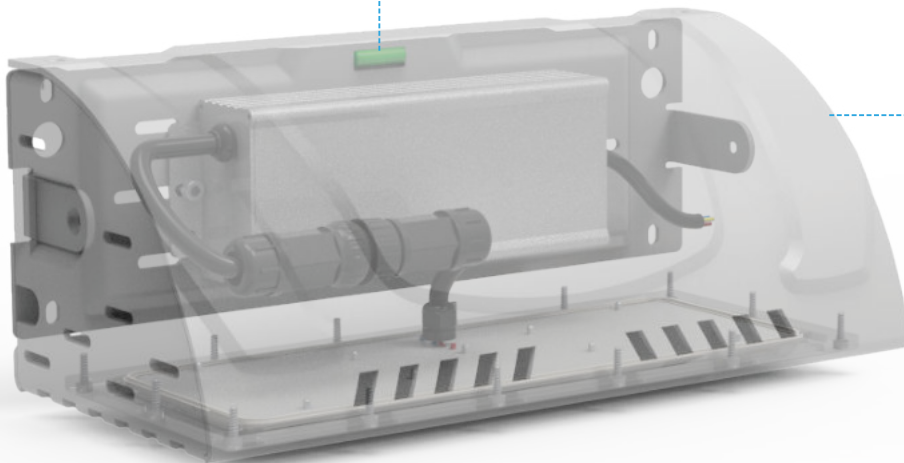
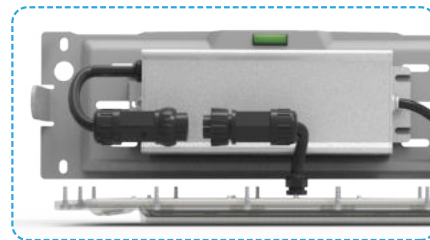
The fins are made of 1070 high thermal conductivity aluminum sheet, and the thermal conductivity is higher than that of die-cast aluminum.



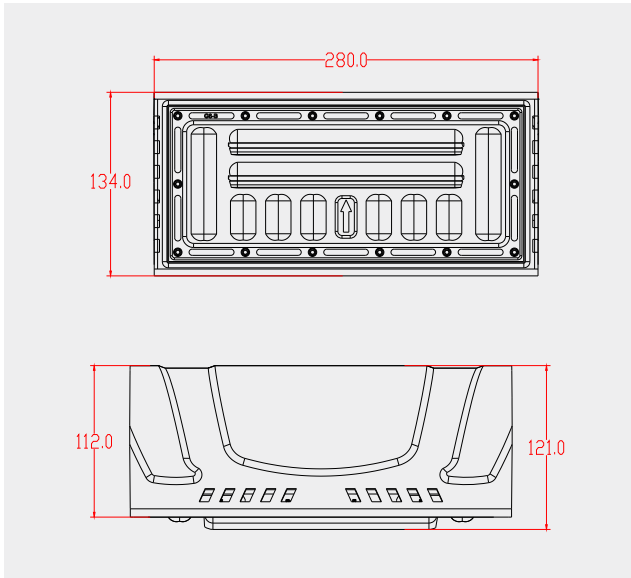
Gradienter Regulate horizontal position



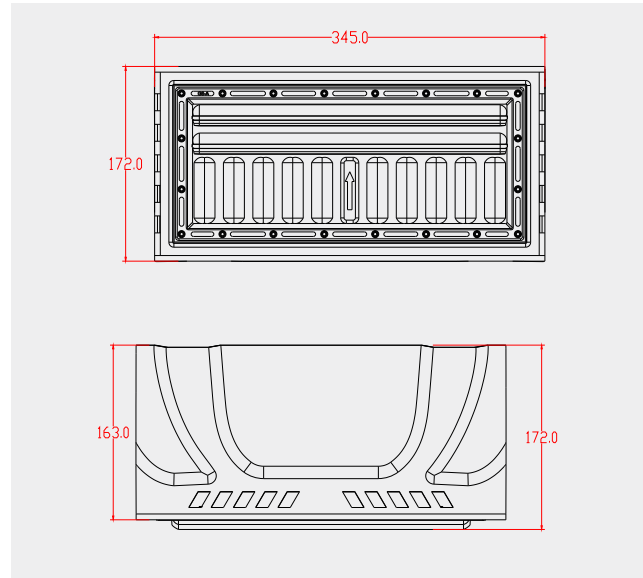
Easy to disassemble



Size (mm)

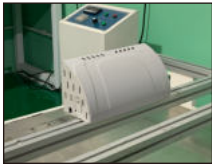


25/50/80/100W: 280×134×112mm



120/150/200W: 345×172×163mm

Test



Vibration Test



Salt Spray Test



Withstand Voltage Test



Low and High Temperature Test



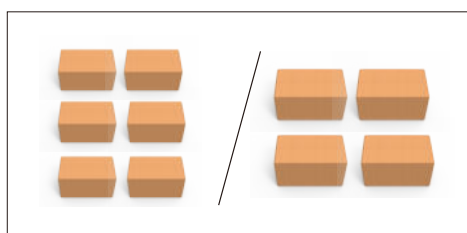
Temperature Rising Test



UV Aging Test

Packaging

Wattage	Size of box	Cross weight	Size of carton	Cross weight	Box quantity /carton
25/50W	310x185x175mm	1.83kg±5%	415x325x565mm	14.30kg±5%	6
80W	310x185x175mm	2.0kg±5%	415x325x565mm	14.30kg±5%	6
100W	310x185x175mm	2.0kg±5%	415x325x565mm	14.30kg±5%	6
120/150W	375x220x230mm	3.2kg±5%	475x405x510mm	13.80kg±5%	4
200W	375x220x230mm	3.25kg±5%	475x405x510	13.80kg±5%	4



**LED Wall Light
DWP25**