

One hundred percent authentic manufacturer, more than 10 years experience in production of led light
 With excelsior attitude, we aim to offer perfect product, as we believe vitality of a enterprise is depends on quality of product
 5 years warranty, release innovative, reliable and high-performance LED light regularly
 We care and take care of every inquiry, feedback and complaint of customers
 Customer is partner, we pursuit profit, value and development with partner together

Product Features

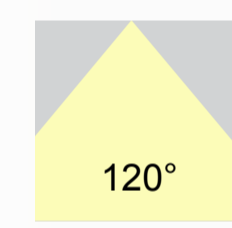
Streamline design classic aesthetics;
 Ultra-slim sleek design, stylish and classic;
 Reflector and heat sink integrated;
 Pure aluminum structure for heat dissipation, professional optical design;
 Luminous efficiency is increased by 50%.



**MODEL NO: LEDFLD-20
 (20W)**

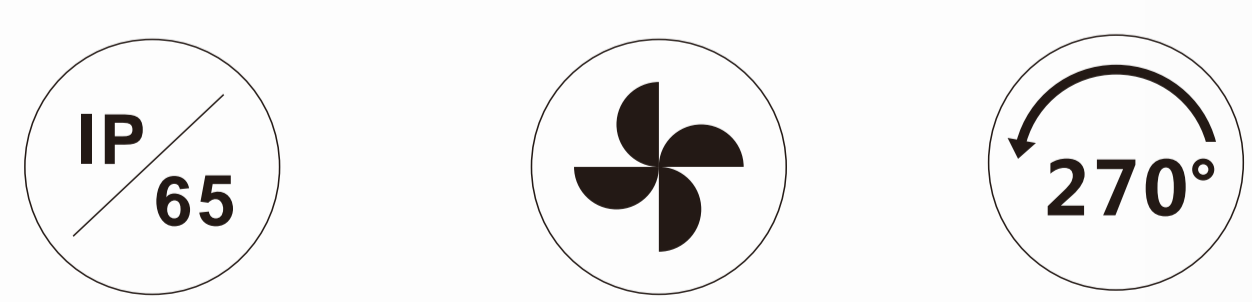
LED QTY: 20 PCS(OSRAM 3030)/20 PCS(PHILIPS 3030)
 Packing Type: 20 unit(s)/ctn
 Inner Packing Dimension: 25x18x4.8cm/1PCS
 Packing Dimension: 51.5X38X26cm
 NW: ≈0.97kg
 GW: ≈1.2kg 1 unit(s)/ctn
 GW: ≈26kg 20 unit(s)/ctn

PHILIPS / OSRAM / NICHIA 3030: 20W



LED By: **PHILIPS LUMILEDS** **OSRAM** Opto Semiconductors **NICHIA**

Powered By: **MW MEAN WELL**



Protection grade reaches Ip65 Anti-Level-17 hurricane Adjustable 270 ° Angle



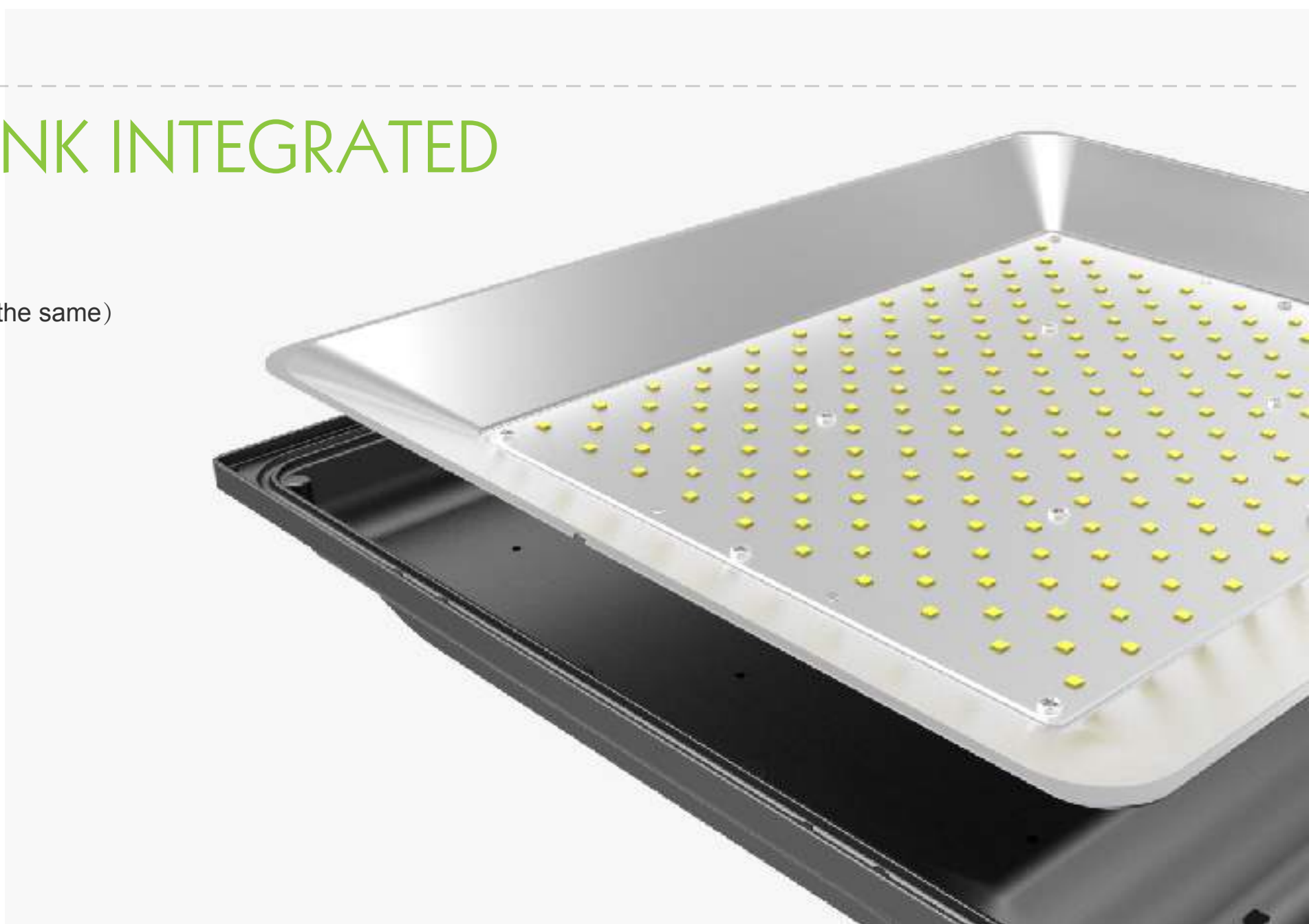
Working Temperature: -40-50°C Working Humidity: 10%~95%RH Best Working Temperature: -20 C ~+30°C Storage Temperature: -40 C ~+80 C

01

REFLECTOR AND HEAT SINK INTEGRATED

Large size aluminum PCB fit aluminum die cast housing, reflector and heat sink integrated

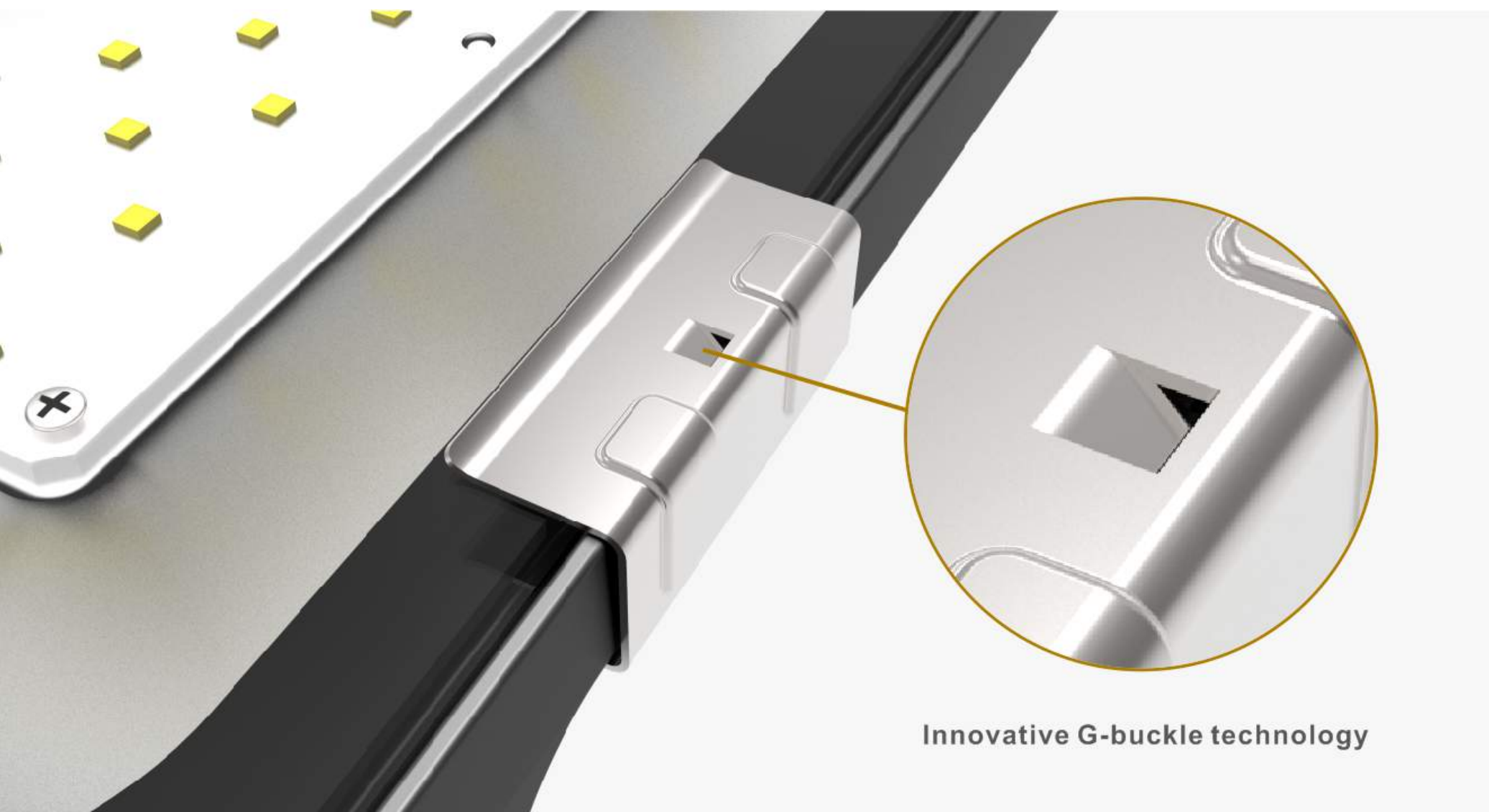
(Note: only as illustrated below, with a series of contrast principle is the same)



02

DESIGN INNOVATION, EFFECTIVE PROTECTION

Innovative G-buckle technology, prevent glass off, free of screw fixing, elegant appearance, easy for assembling



Innovative G-buckle technology



03

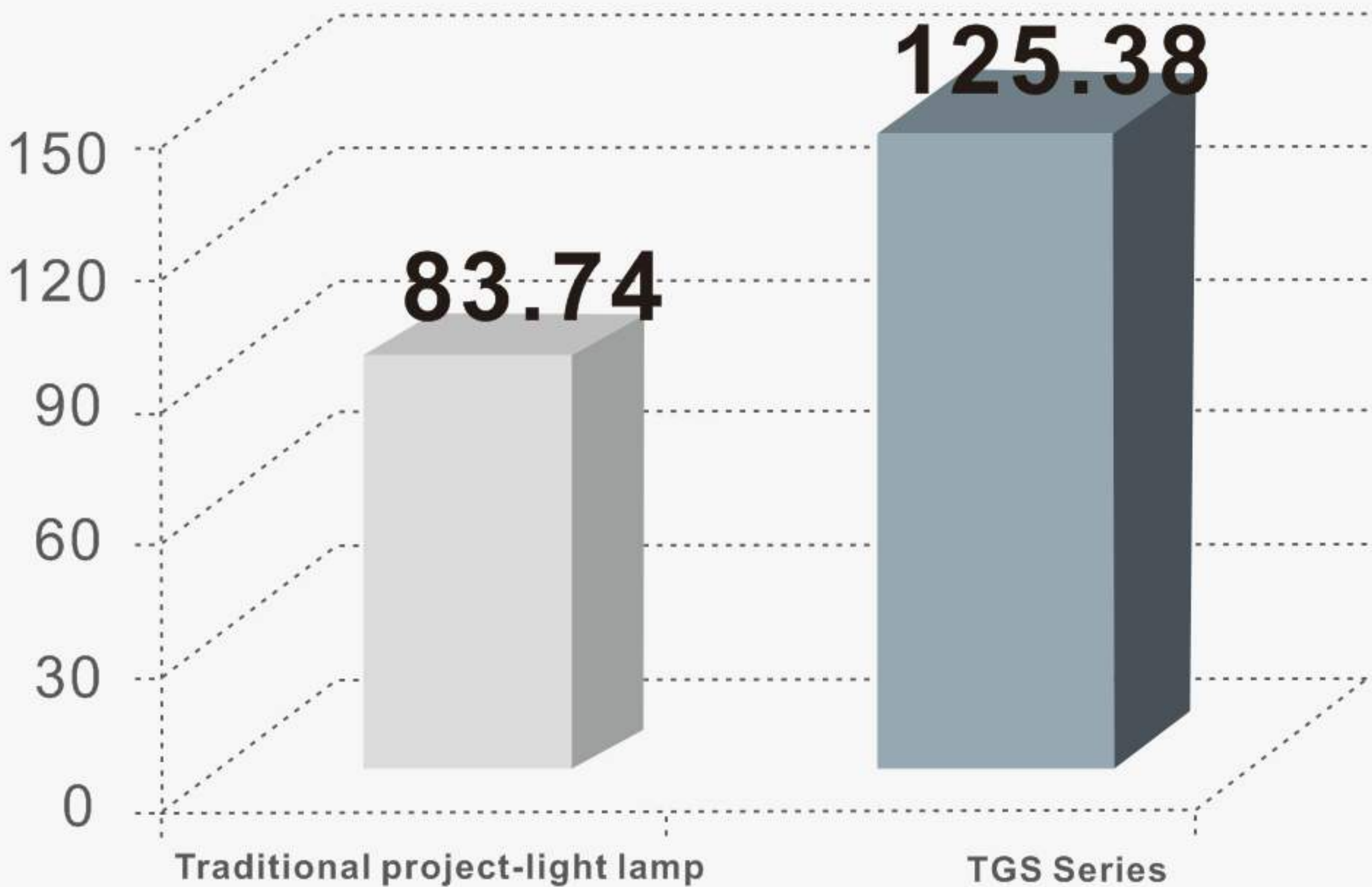
PROFESSIONAL LIGHT DISTRIBUTION AND LIGHT EFFICIENCY INCREASED BY 50%

The same condition, TG3A project-light lamp series by professional optical design, compared to traditional cast light lighting effect can be improved 50%

(Note: only as illustrated below, with a series of contrast principle is the same)

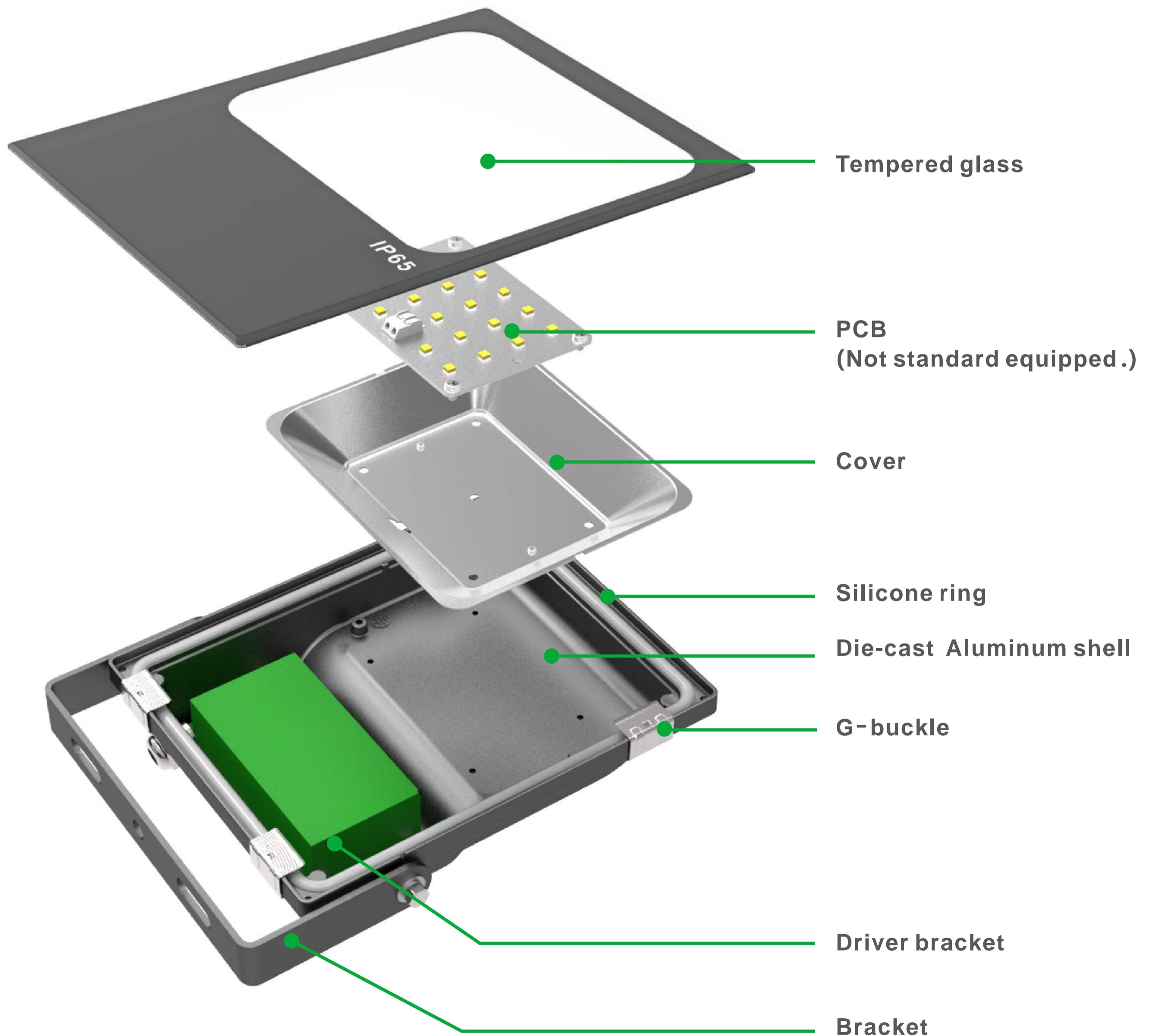
Effect of the light contrast figure

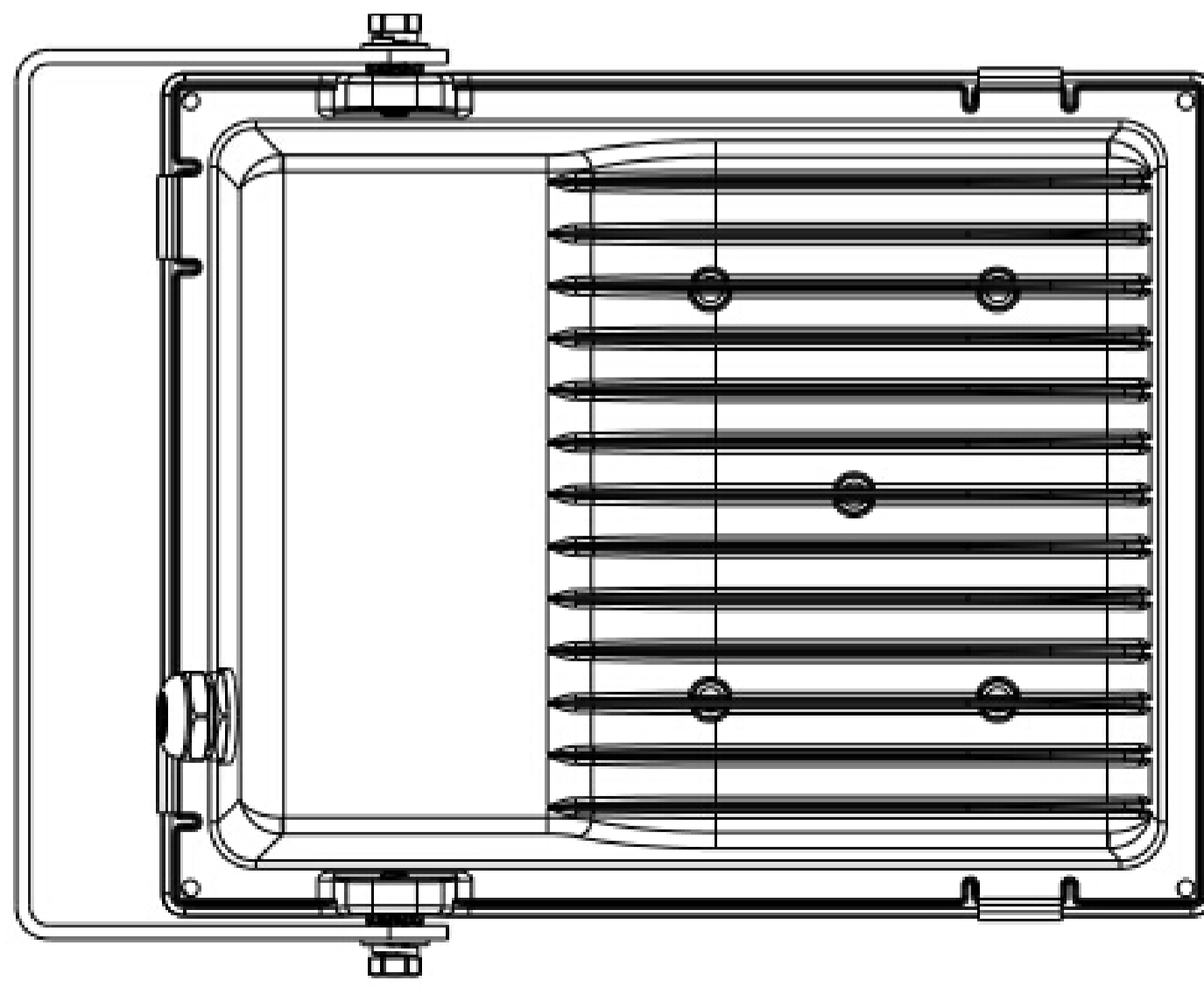
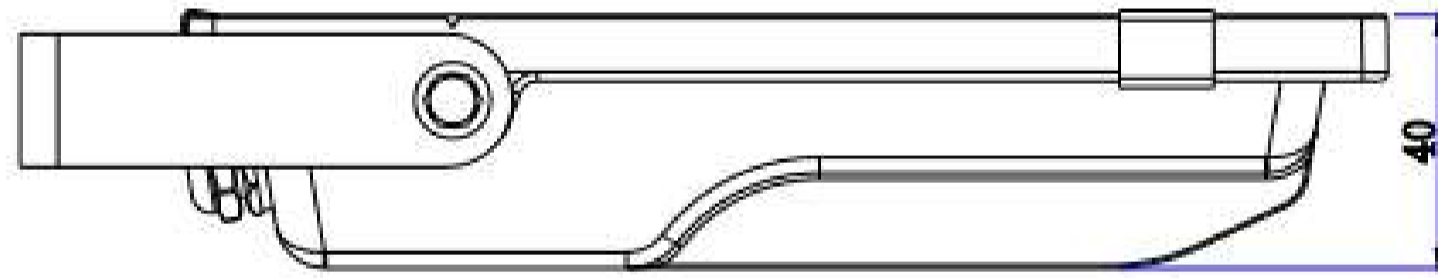
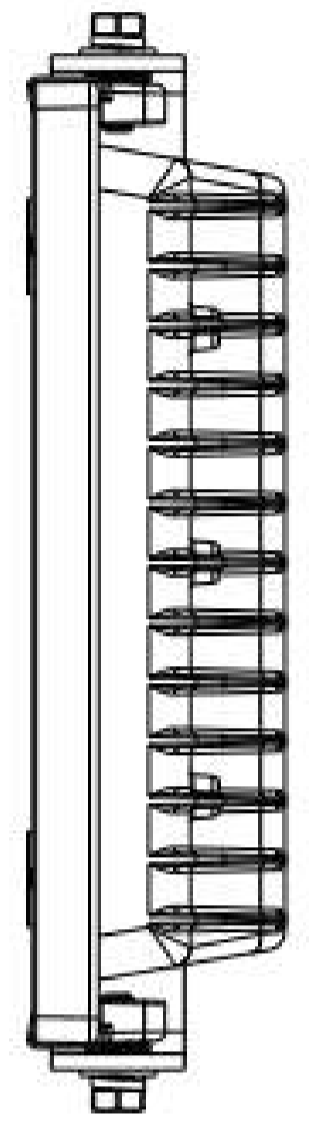
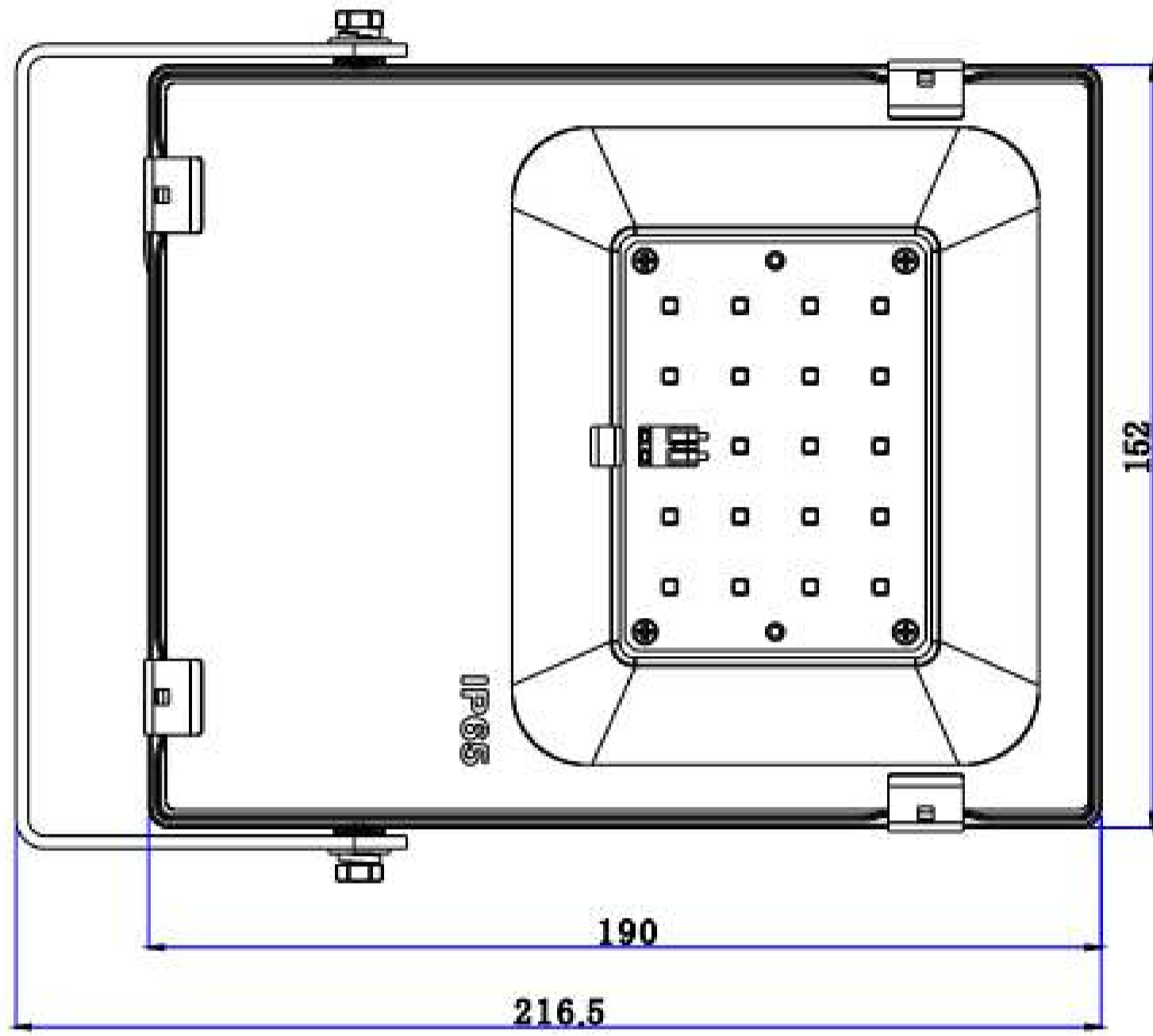
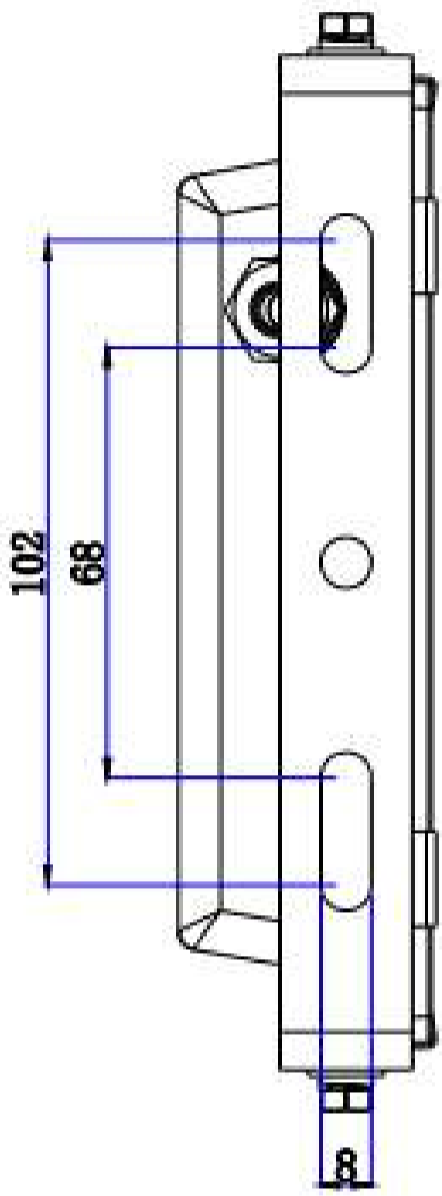
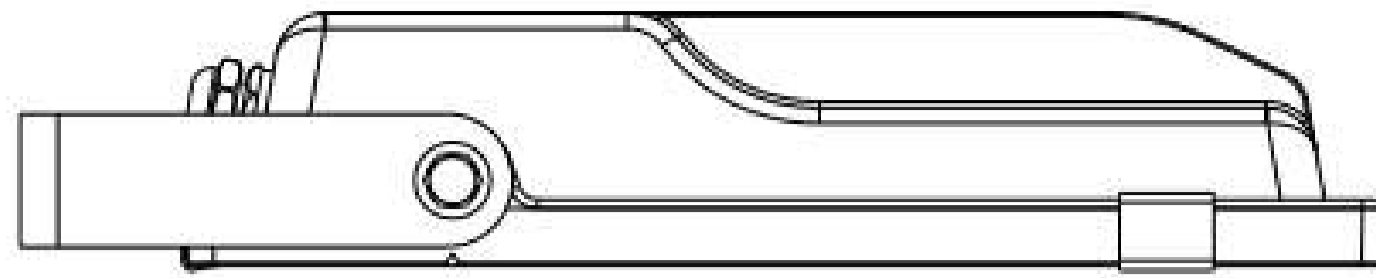
Unit : lm/W

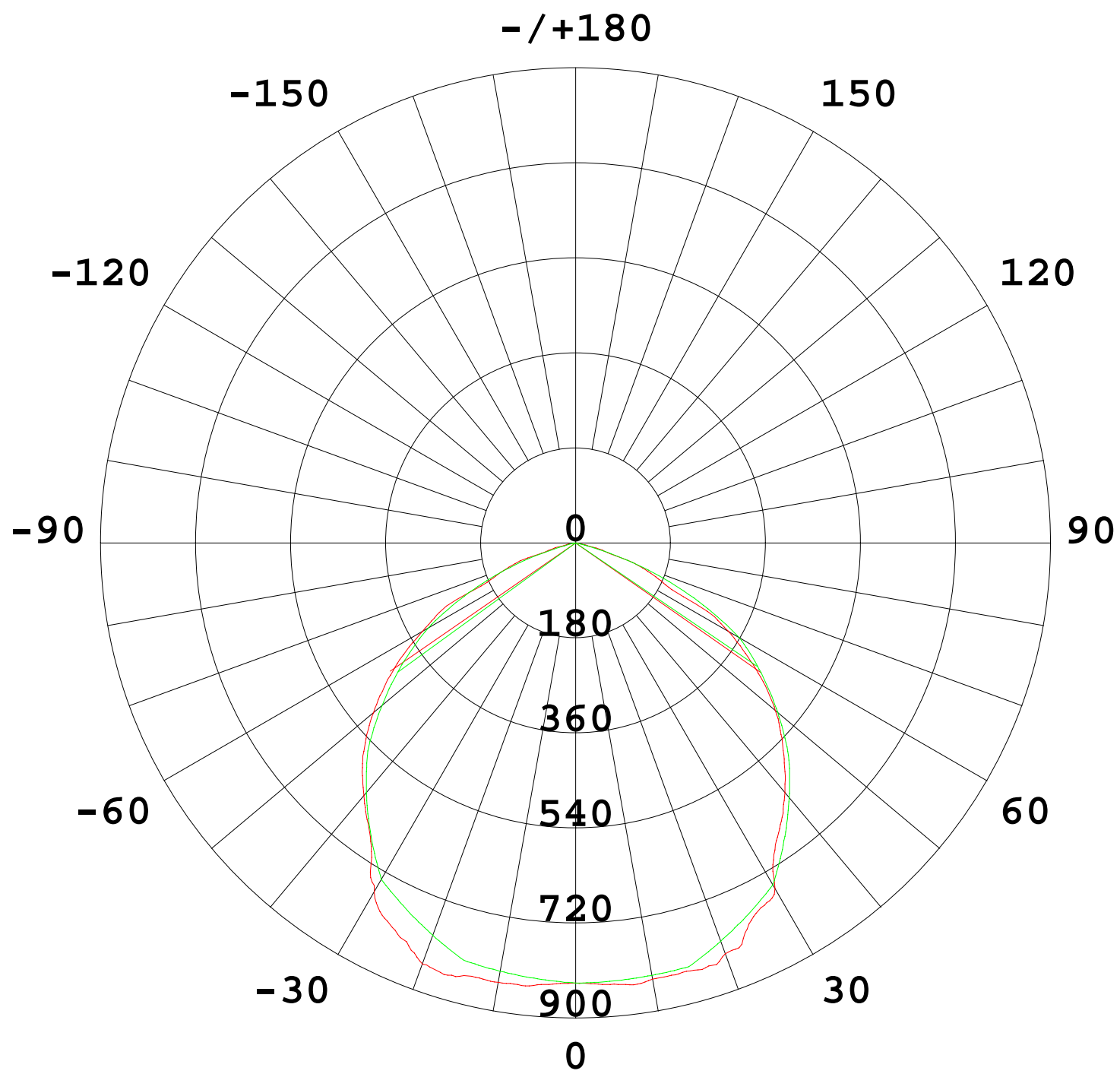


APPLICATION PLACES

Widely used in shopping mall, exhibition hall, parking lot, playground, gymnasium, billboards, park, sculpture, national green lighting project, building facade and public corridor, stair corridor and other indoor and outdoor lighting.







| Height | Eavg, Emax | Diameter |
|----------------|-------------------------------------|----------------------|
| 16.4ft 5m | 1.026, 3.099fc 11.05, 33.36lx | 46.8ft 1426.56cm |
| 32.81ft 10m | 0.2566, 0.7748fc 2.762, 8.340lx | 93.61ft 2853.12cm |
| 49.21ft 15m | 0.1140, 0.3444fc 1.228, 3.707lx | 140.4ft 4279.67cm |
| 65.62ft 20m | 0.0642, 0.1937fc 0.6905, 2.085lx | 187.2ft 5706.23cm |
| 82.02ft 25m | 0.0411, 0.1240fc 0.4419, 1.334lx | 234ft 7132.79cm |

LX-TGS20

LED CHIP MODEL

POWER

Light source



PHILIPS
LUMILEDS

>100lm/ W
20W



X 20



OSRAM
Opto Semiconductors

>105lm/ W
20W



X 20



NICHIA

>110lm/ W
20W



X 20