

One hundred percent authentic manufacturer, more than 10 years experience in production of led light
 With excelsior attitude, we aim to offer perfect product, as we believe vitality of a enterprise is depends on quality of product
 5 years warranty, release innovative, reliable and high-performance LED light regularly
 We care and take care of every inquiry, feedback and complaint of customers
 Customer is partner, we pursuit profit, value and development with partner together

Product Features

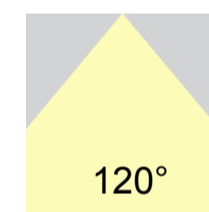
Streamline design classic aesthetics;
 Ultra-slim sleek design, stylish and classic;
 Reflector and heat sink integrated;
 Pure aluminum structure for heat dissipation, professional optical design;
 Luminous efficiency is increased by 50%.



MODEL NO: LEDFLD-150
 (150W)

LED QTY: 150 PCS(OSRAM 3030)/150 PCS(PHILIPS 3030)
 Packing Type: 1 unit(s)/ctn
 Packing Dimension: 51x43x13.5cm
 NW: ≈6.2kg
 GW: ≈7.25kg 1 unit(s)/ctn

PHILIPS / OSRAM / NICHIA 3030: 150W

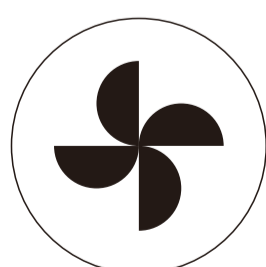


LED By: **PHILIPS LUMILEDS** **OSRAM** Opto Semiconductors **NICHIA**

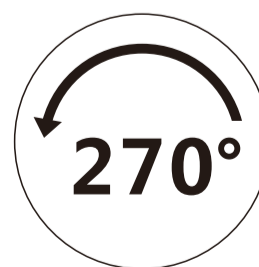
Powered By: **MW MEAN WELL**



Protection grade reaches Ip65



Anti-Level-17 hurricane



Adjustable 270° Angle



Working Temperature: -40-50°C

Working Humidity: 10%~95%RH

Best Working Temperature: -20 C ~+30°C

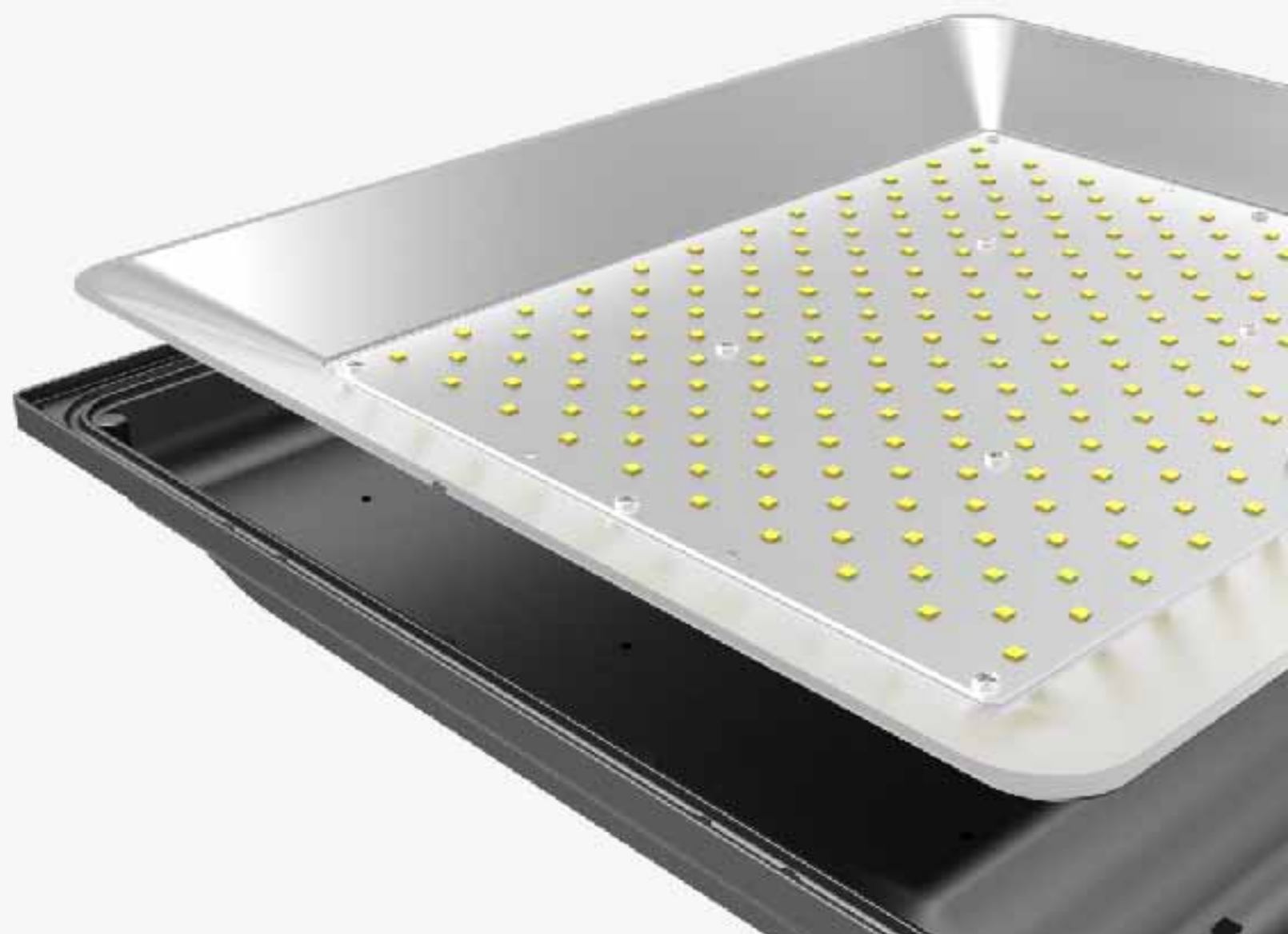
Storage Temperature: -40 C ~+80 C

01

REFLECTOR AND HEAT SINK INTEGRATED

Large size aluminum PCB fit aluminum die cast housing, reflector and heat sink integrated

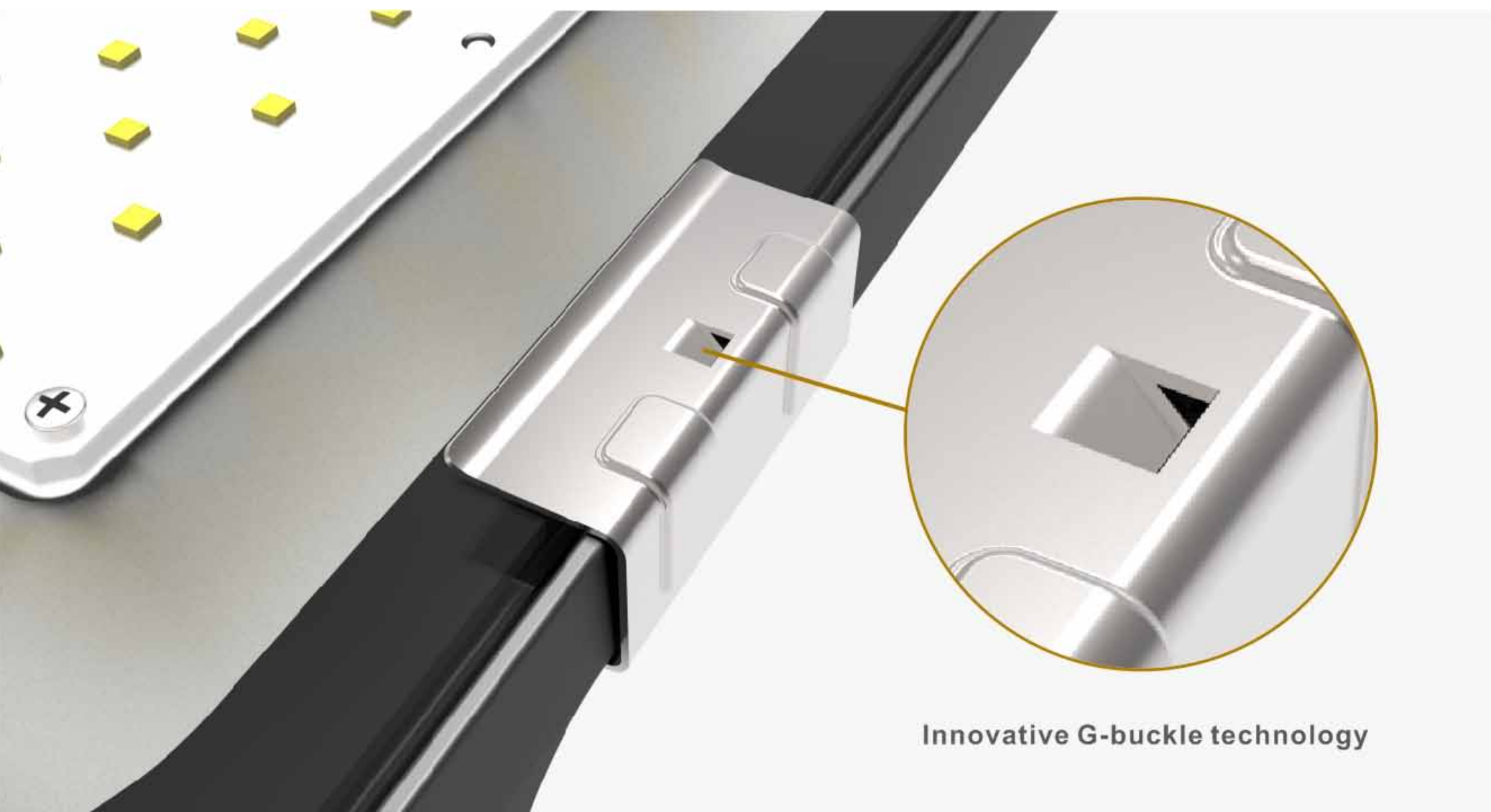
(Note: only as illustrated below, with a series of contrast principle is the same)



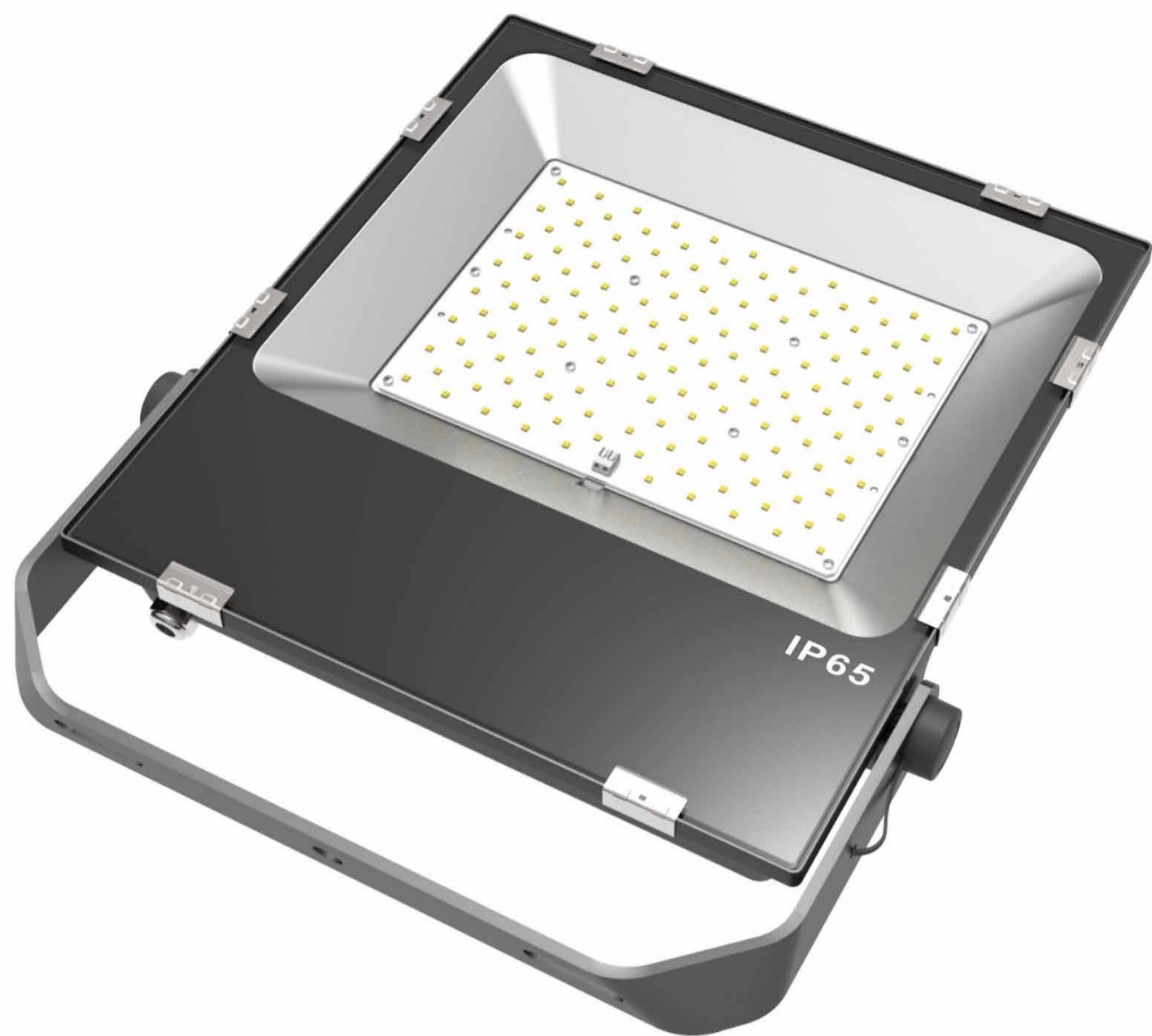
02

DESIGN INNOVATION, EFFECTIVE PROTECTION

Innovative G-buckle technology, prevent glass off, free of screw fixing, elegant appearance, easy for assembling



Innovative G-buckle technology



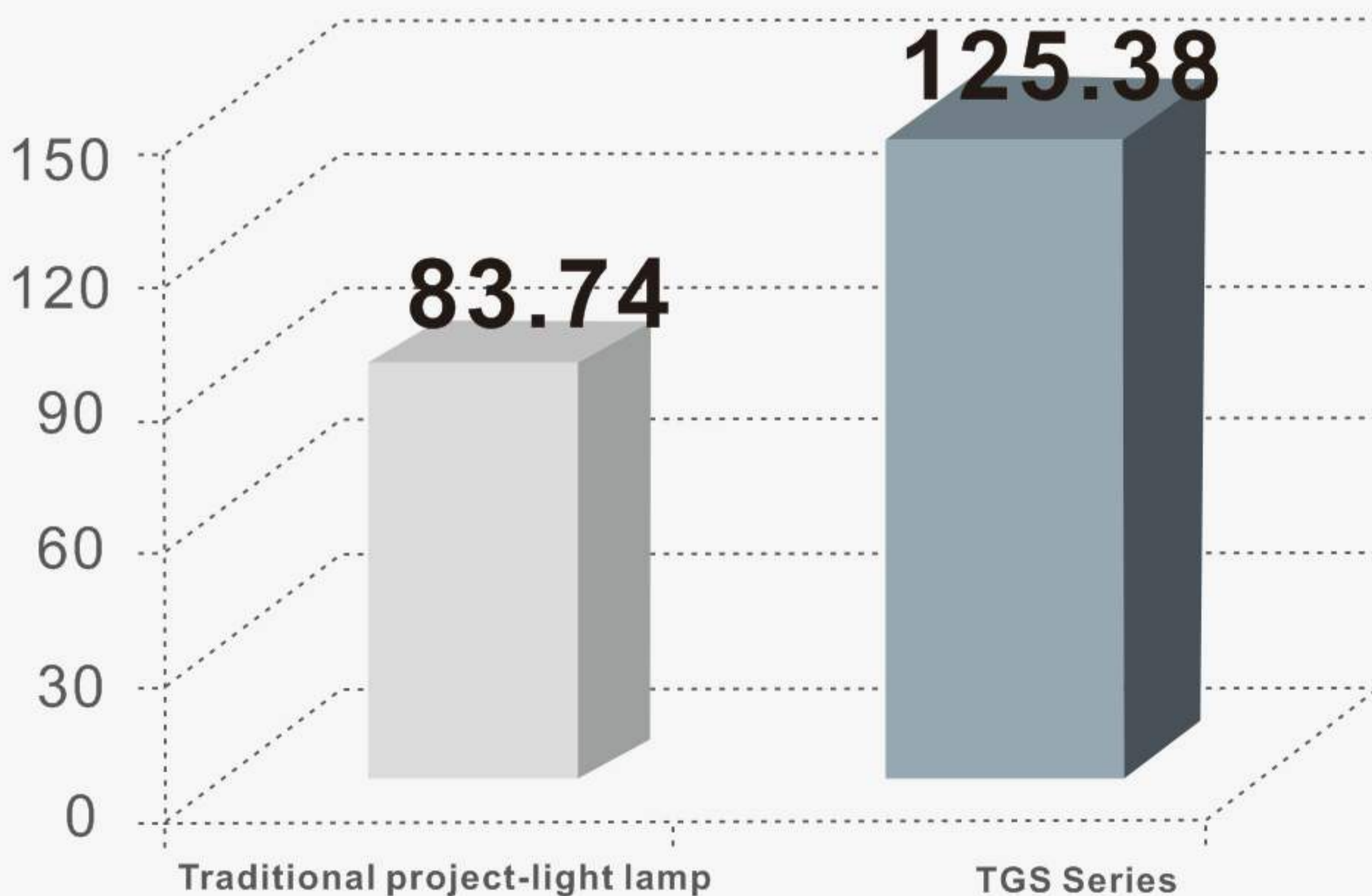
03 PROFESSIONAL LIGHT DISTRIBUTION AND LIGHT EFFICIENCY INCREASED BY 50%

The same condition, TG3A project-light lamp series by professional optical design, compared to traditional cast light lighting effect can be improved 50%

(Note: only as illustrated below, with a series of contrast principle is the same)

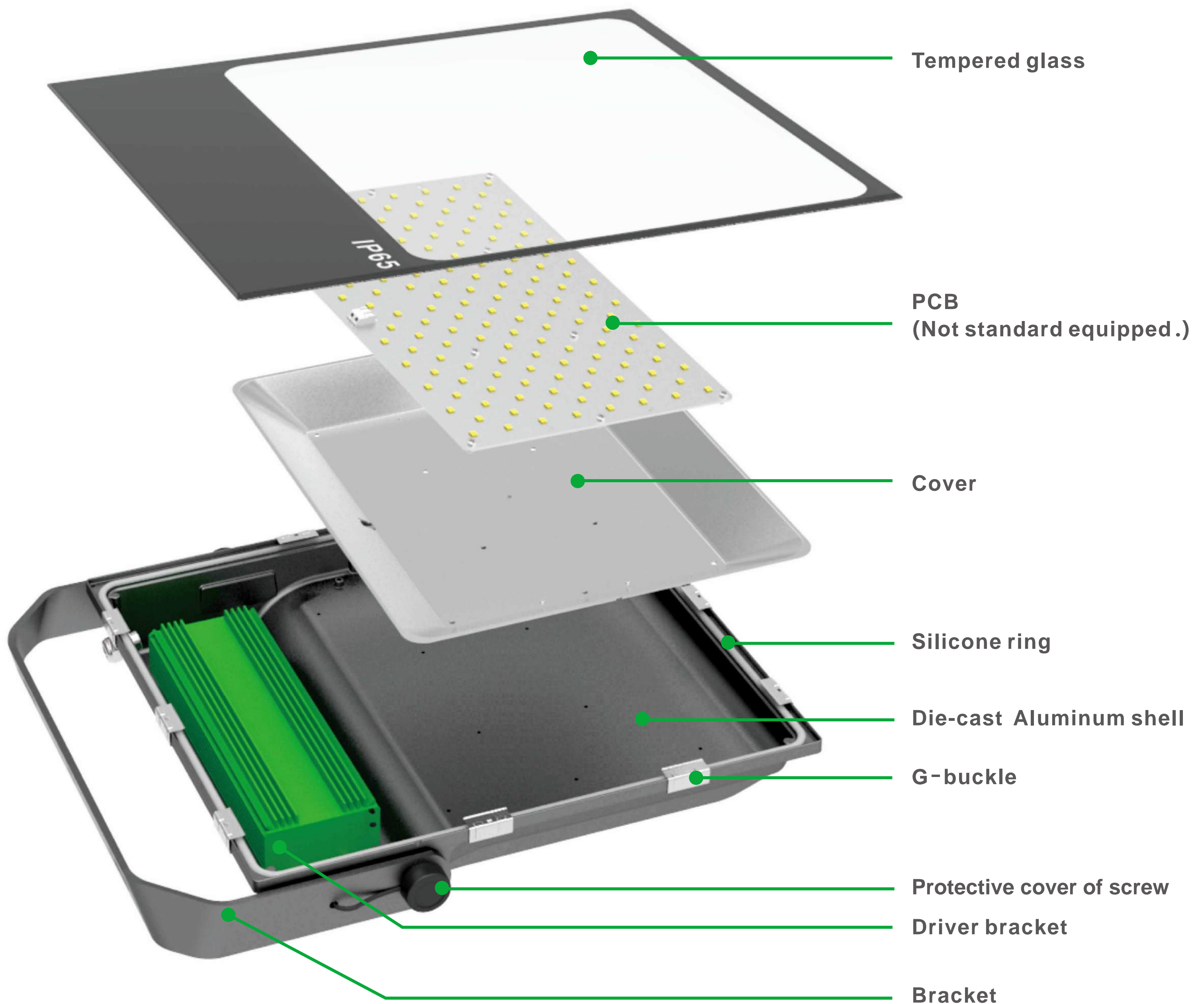
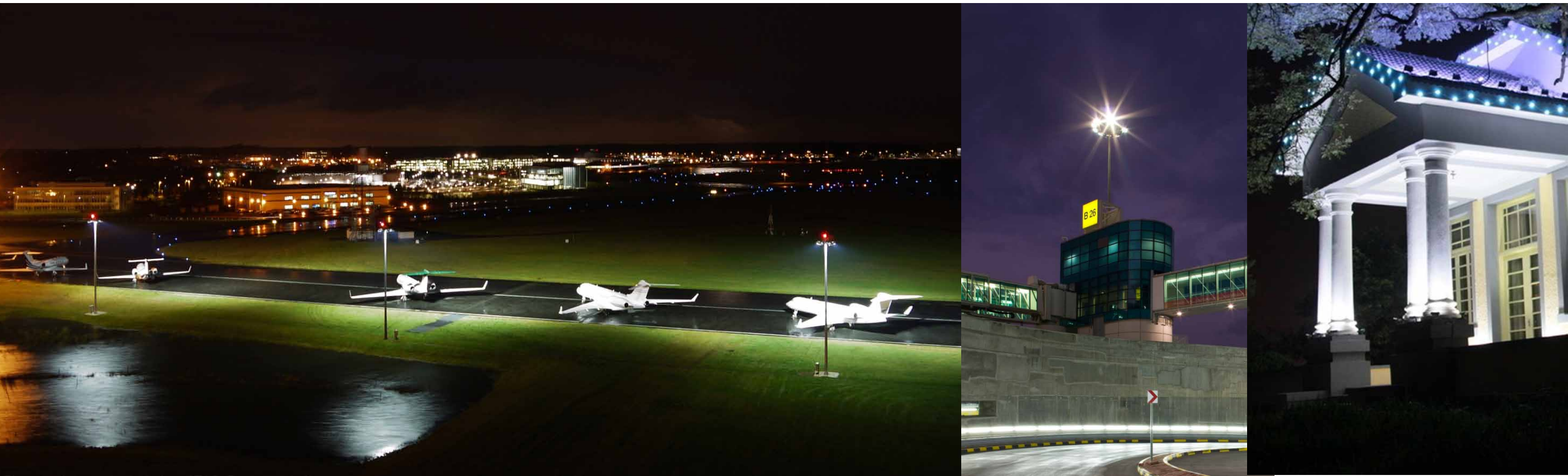
Effect of the light contrast figure

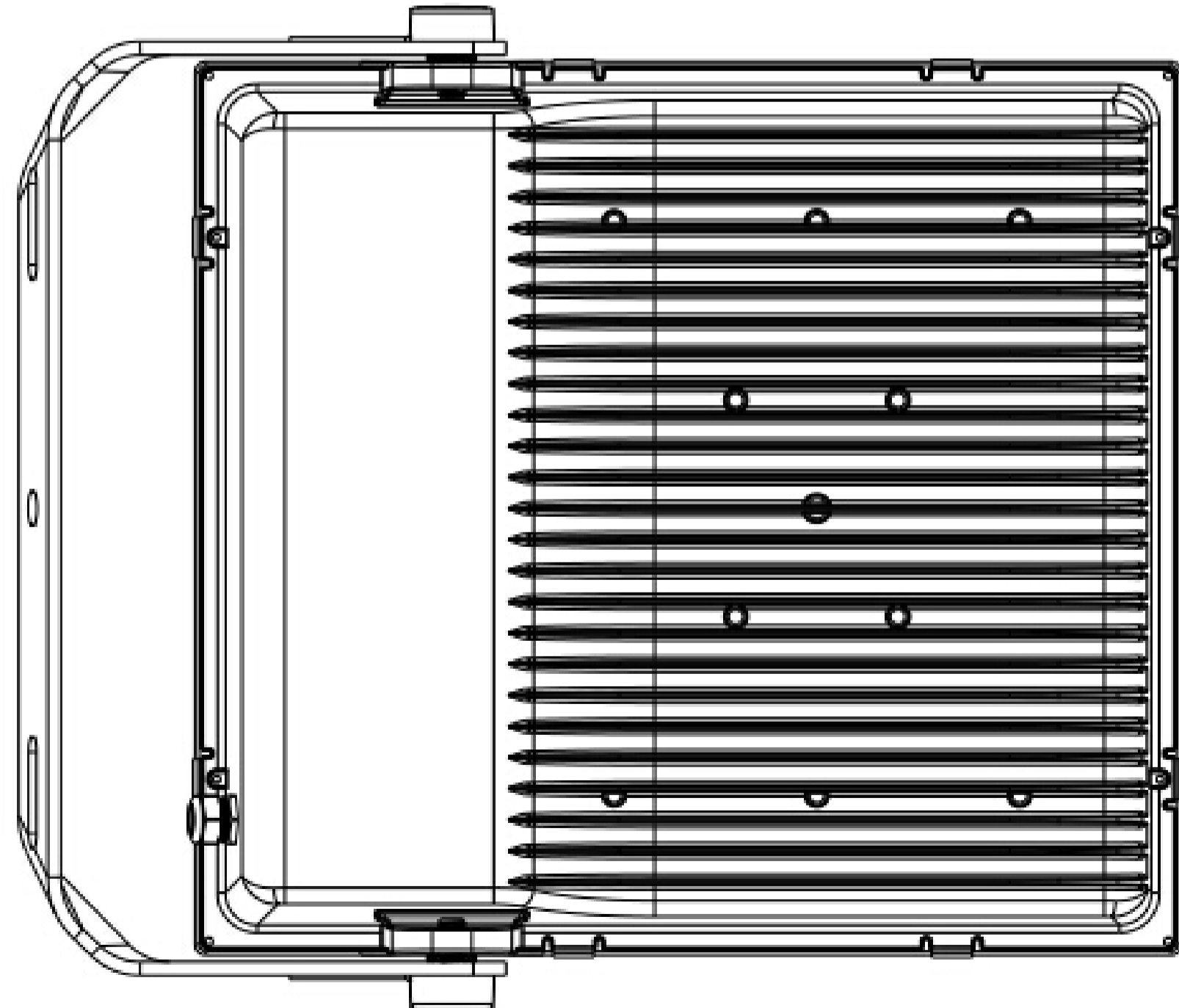
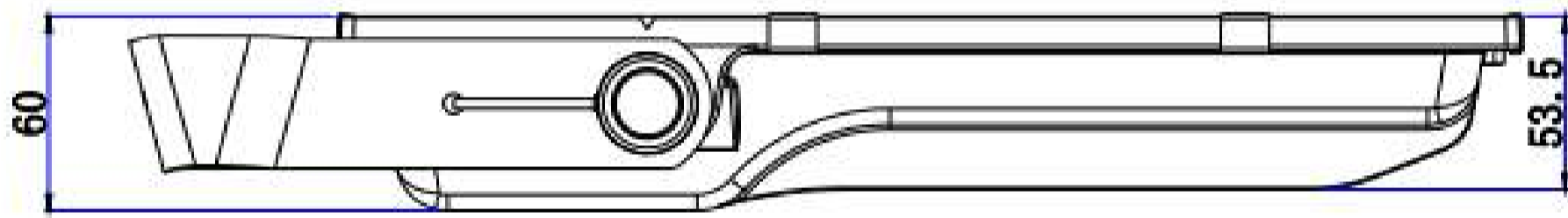
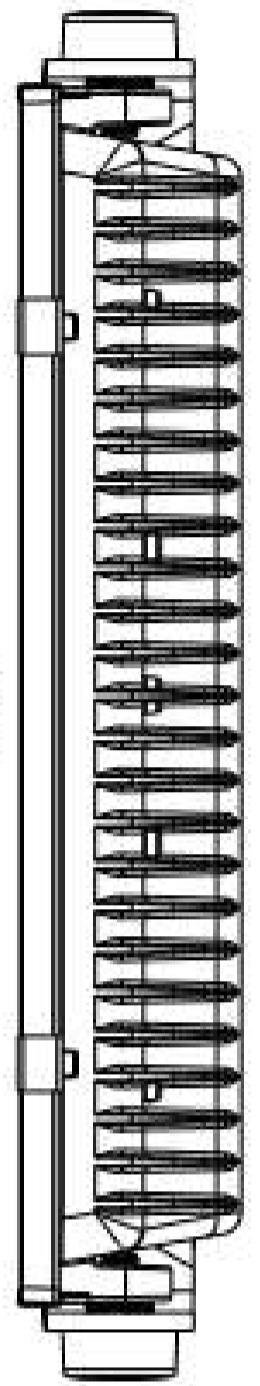
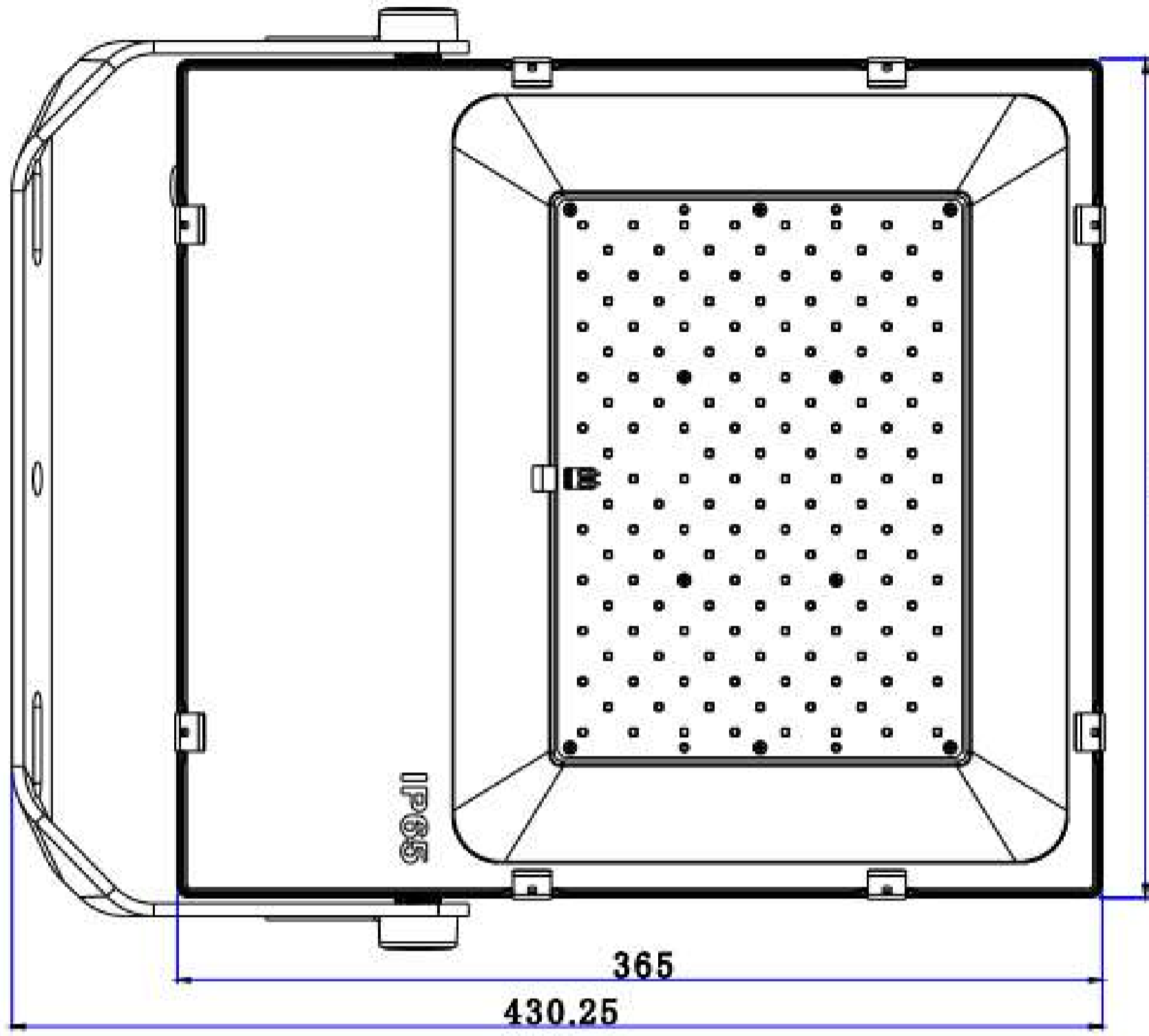
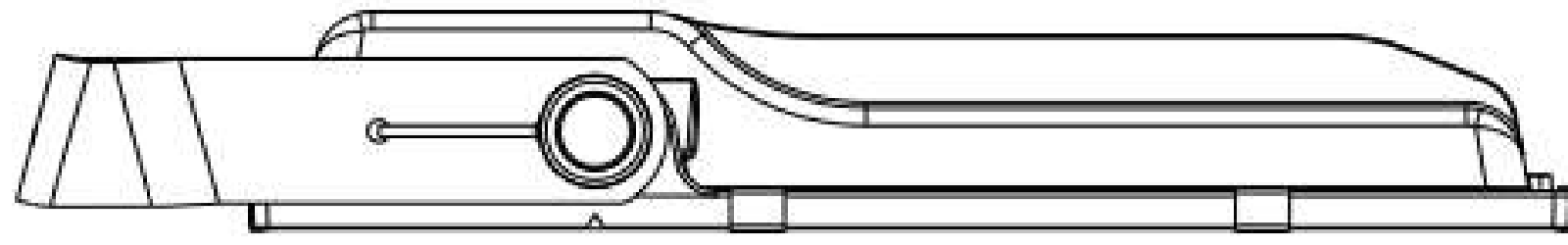
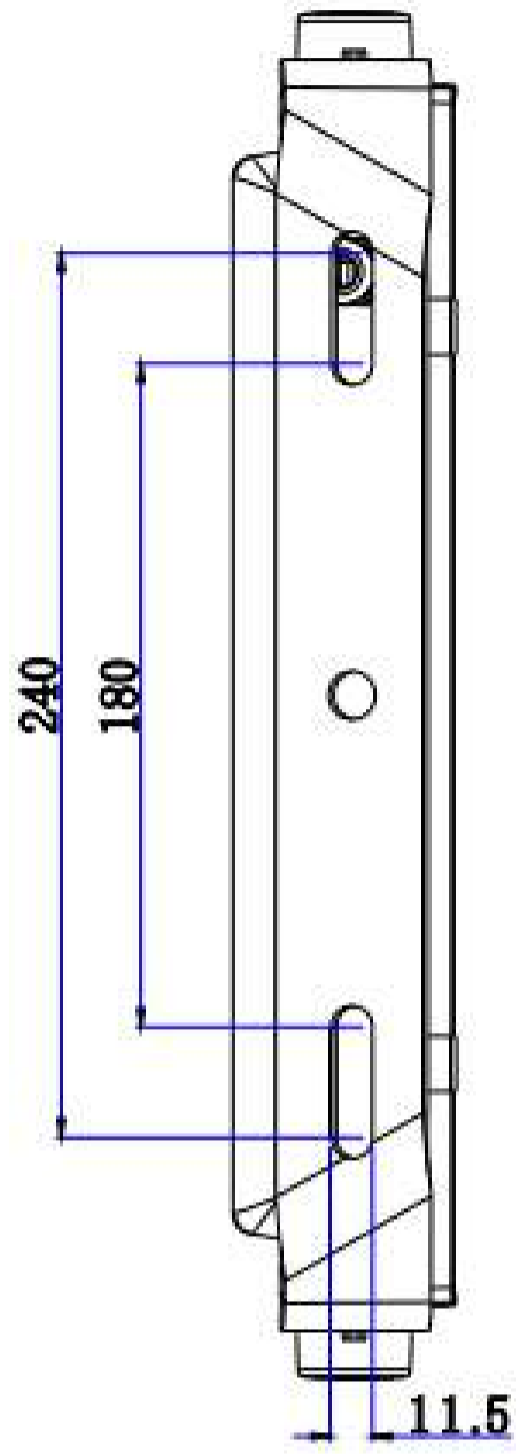
Unit : lm/W

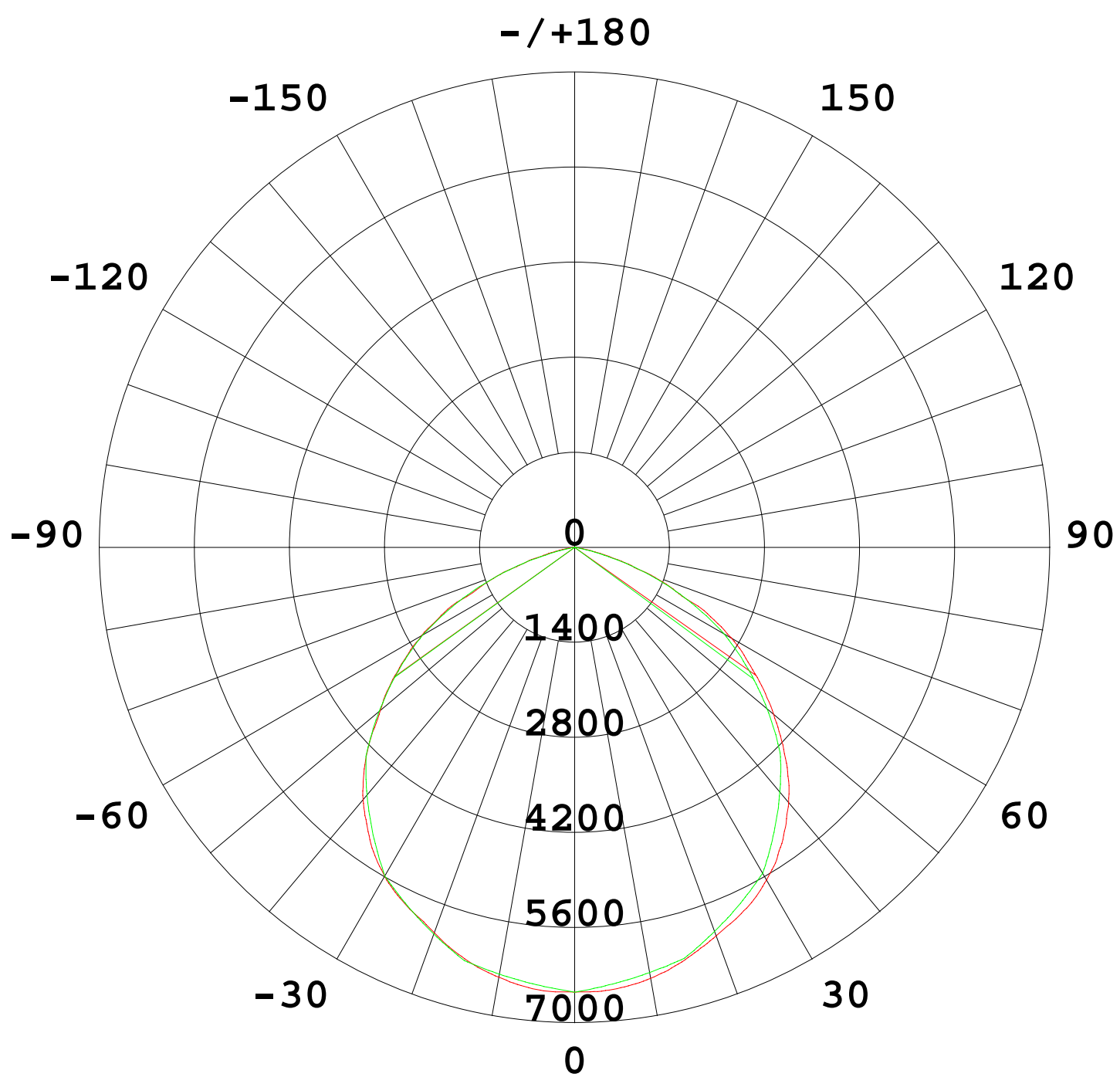


APPLICATION PLACES

Widely used in shopping mall, exhibition hall, parking lot, playground, gymnasium, billboards, park, sculpture, national green lighting project, building facade and public corridor, stair corridor and other indoor and outdoor lighting.







16.4ft 5m	8.021, 24.34fc 86.34, 262.01lx	44.93ft 1369.58cm
32.81ft 10m	2.005, 6.085fc 21.58, 65.49lx	89.87ft 2739.17cm
49.21ft 15m	0.8912, 2.704fc 9.593, 29.11lx	134.8ft 4108.75cm
65.62ft 20m	0.5013, 1.521fc 5.396, 16.37lx	179.7ft 5478.34cm
82.02ft 25m	0.3208, 0.9735fc 3.453, 10.48lx	224.7ft 6847.92cm
Height	Eavg, Emax	Diameter

LX-TGS150

LED CHIP MODEL

POWER

Light source



PHILIPS
LUMILEDS

>100lm/ W
150W



X 150



OSRAM
Opto Semiconductors

>105lm/ W
150W



X 150



NICHIA

>110lm/ W
150W



X 150