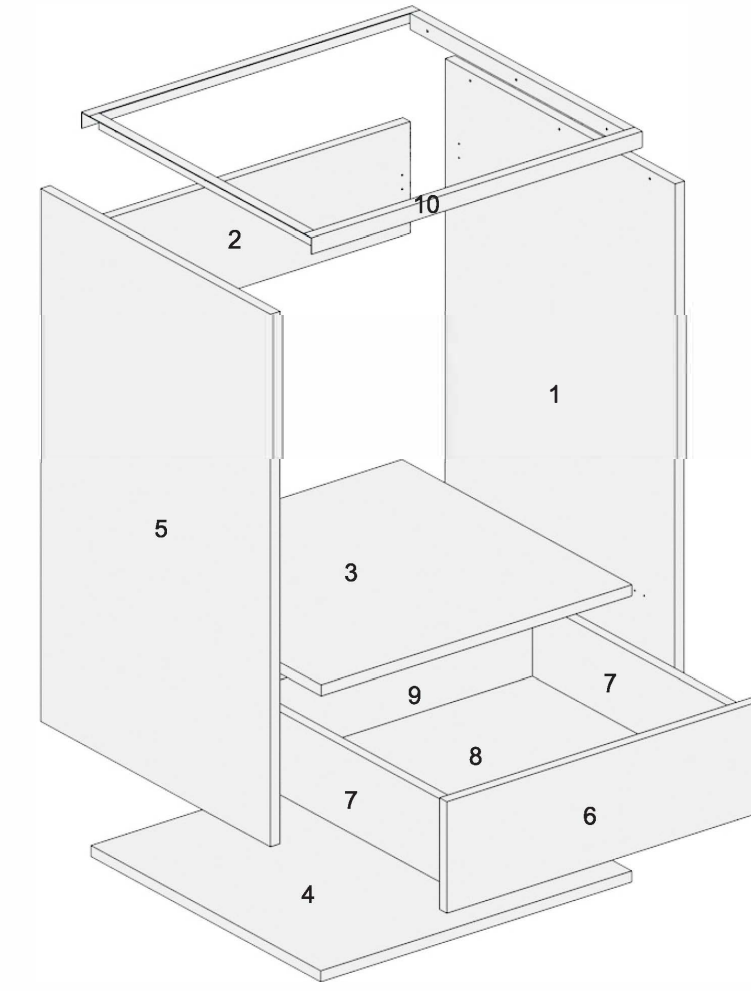
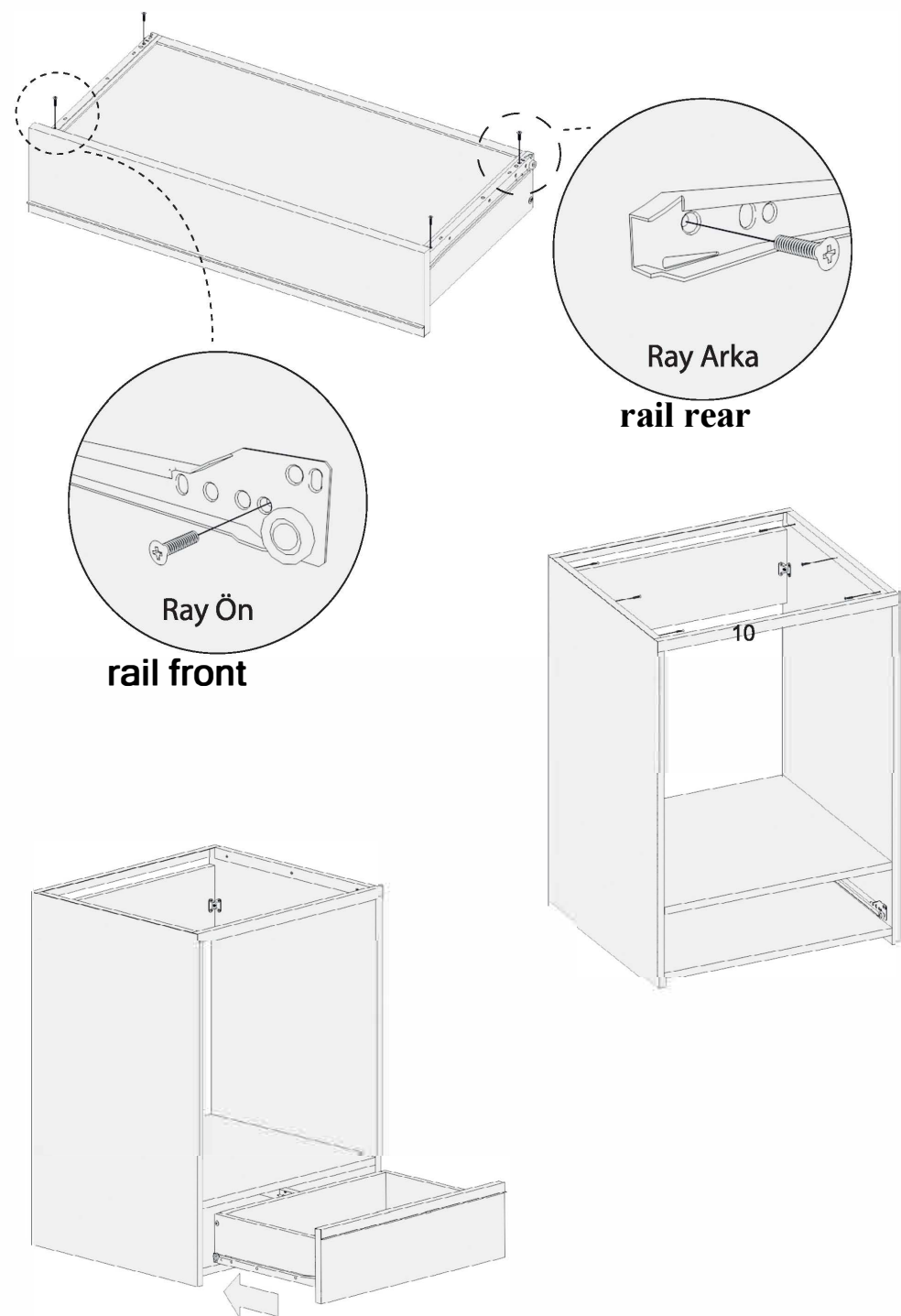
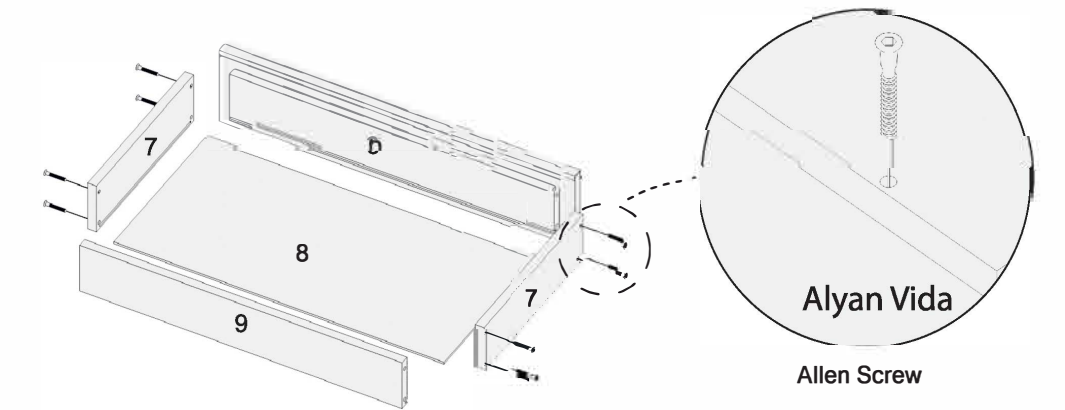
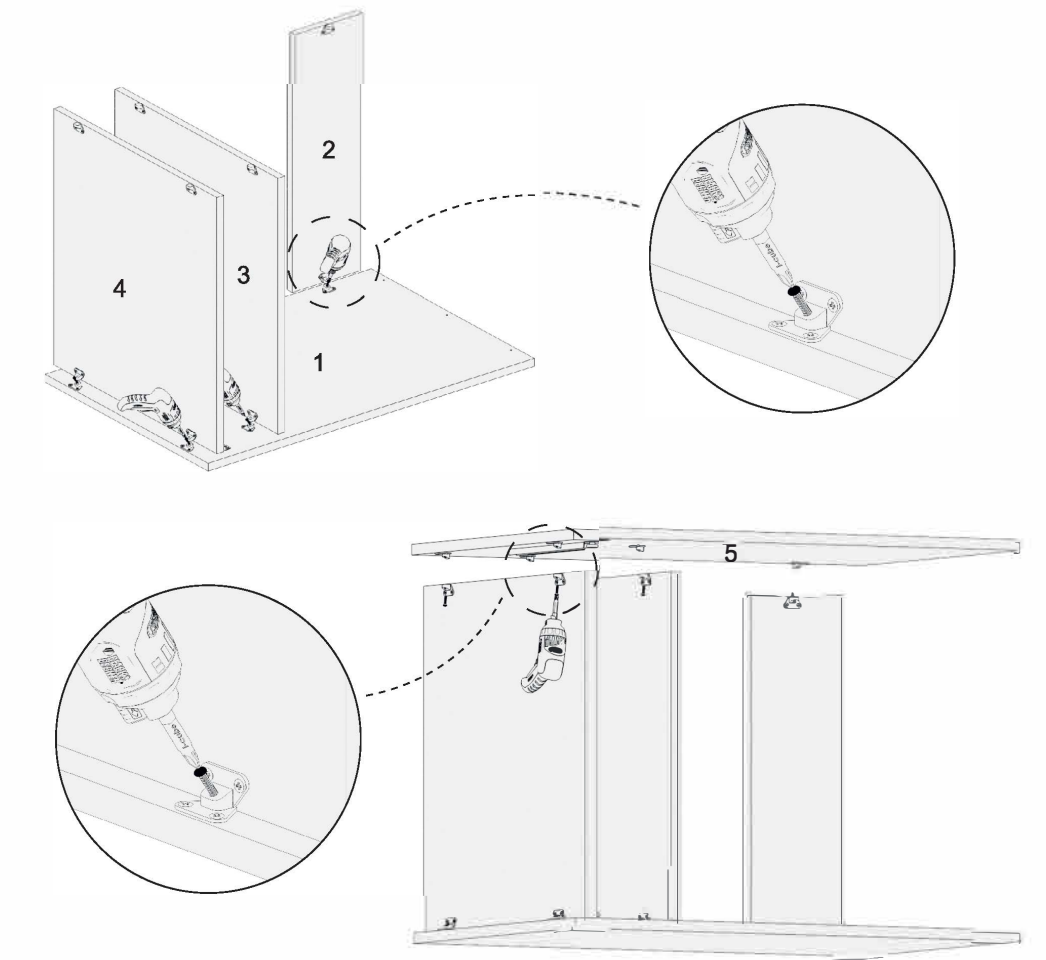
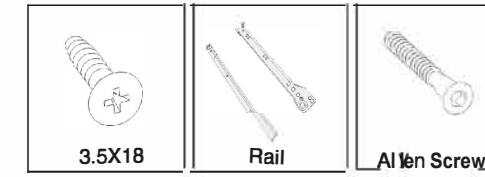


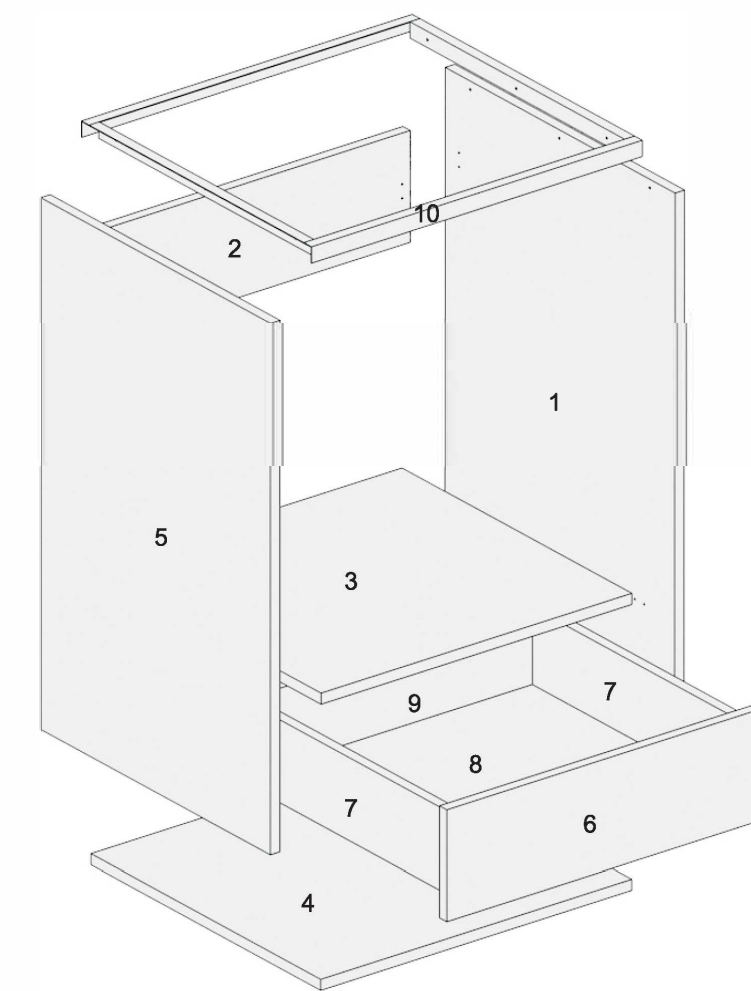
BUILT-IN MOUNTING TEMPLATE



1 RIGHT SIDE TABLE REAR	5 LEFT SIDE TABLE	9 DRAWER BACK LAPEL
2 REAR UPPER TRAVERSE	6 DRAWER FRONT LAPEL	10 TOP IRON
3 MIDDLE TABLE	7 DRAWER SIDE LAPEL	
4 LOWER TABLE	8 DRAWER BOTTOM	



ANKASTRE MONTAJ ŞABLONU



1 SA' YAN TABLA	5 SOL YAN TABLA	9 İEKMEECE ARKA KLAPA
2 ARKA *ST TRAVERS	6 İEKMEECE İN KLAPA	10 *ST DEM'R
3 ORTA TABLA	7 İEKMEECE YAN KLAPA	
4 ALT TABLA	8 İEKMEECE D'B'	

