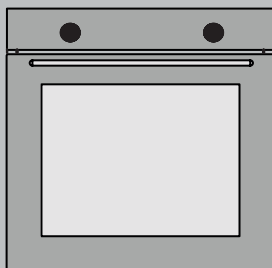


# Built-in Oven



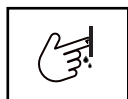
## Installation Manual



EN

# Installation Manual

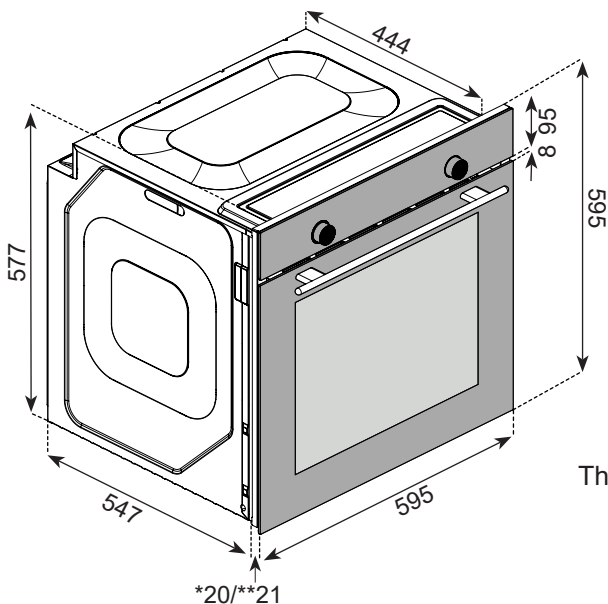
---



## Appliance Dimensions

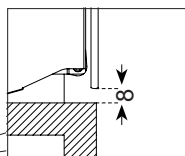
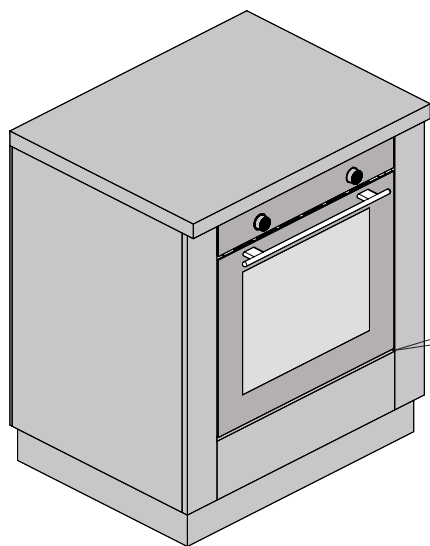
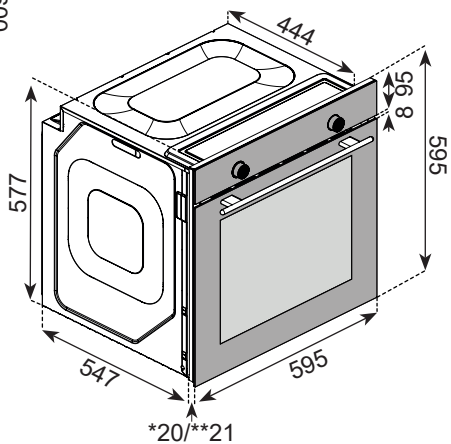
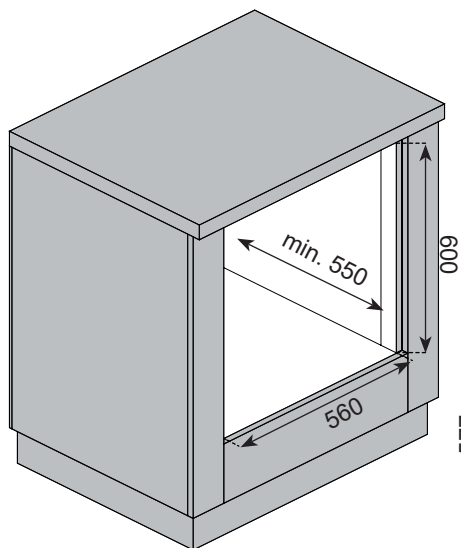
1

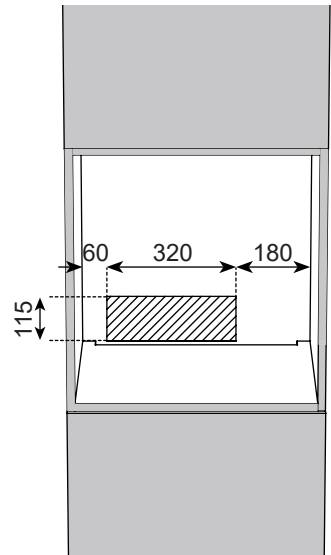
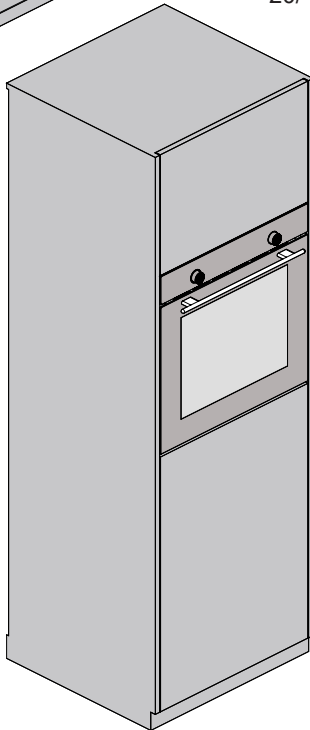
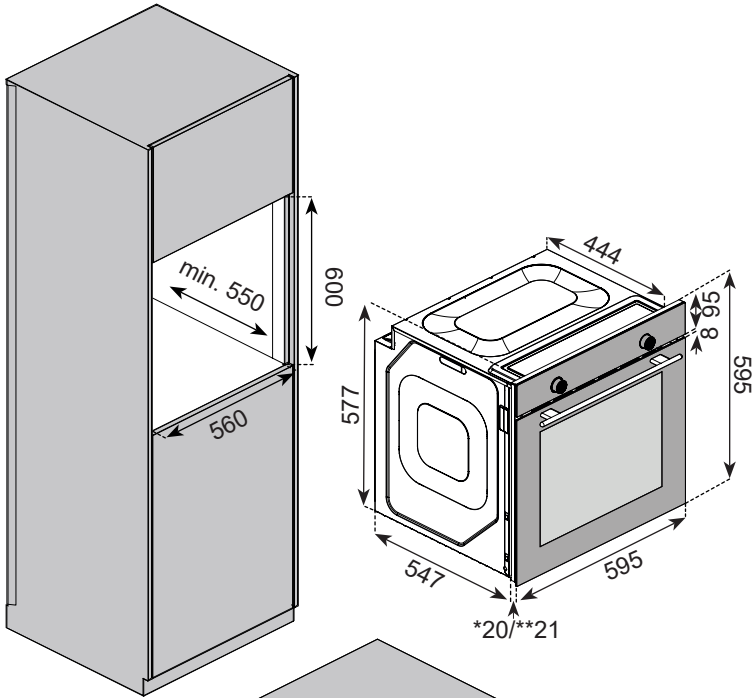
---

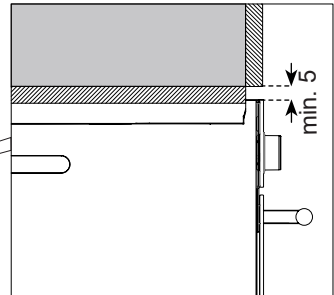
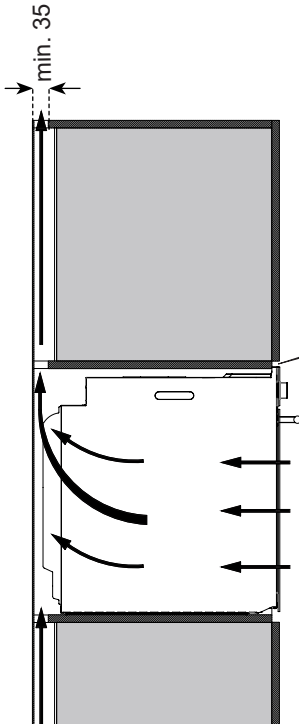
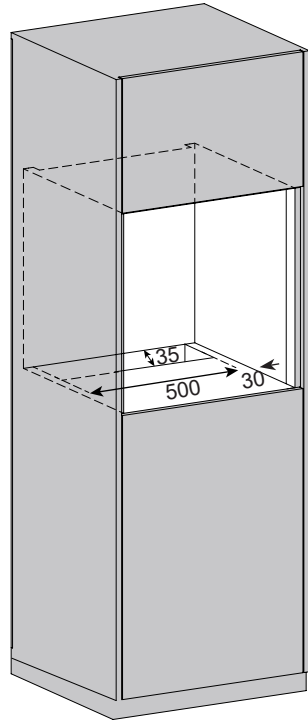
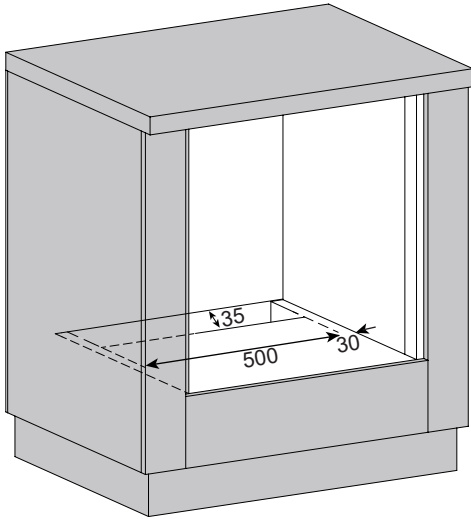


The dimensions mentioned in the image are in mm.

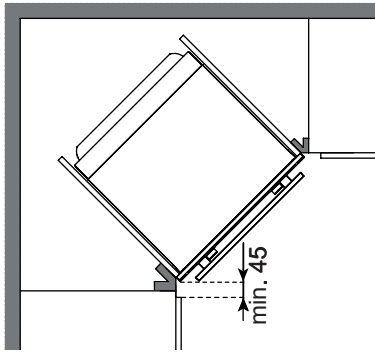
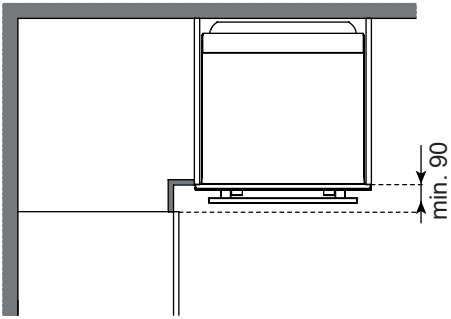
- \* 20 mm Glass Panel
- \*\* 21 mm Inox Panel



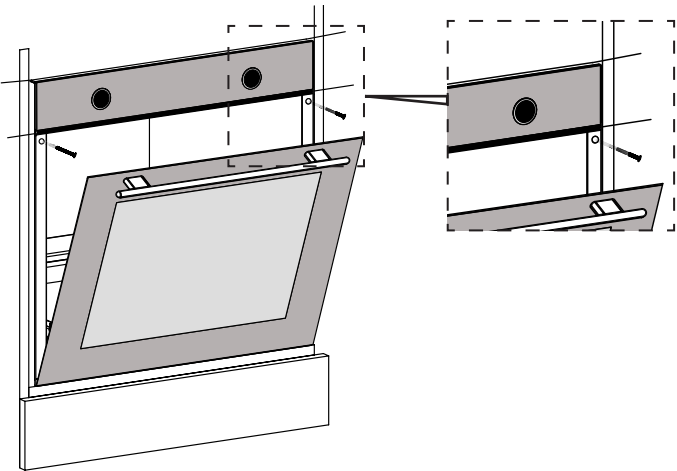




5



6



## Important Warnings

---

Check the suitability of the electrical wiring to make the appliance ready for use. If it is not suitable, call a plumber and have him make the required arrangements. You shall use the appliance safely when you install the appliance as described in the installation manual. The person, who installs the appliance, is responsible for the malfunctions occurred due to incorrect installation.

⚠ The customer is responsible for preparing the place where the appliance would be put and the electrical wiring.

⚠ Our manufacturing company is not responsible for the problems that may occur due to the operations performed by the people other than the authorized ones and the warranty shall be deemed as invalid.

- Carry the appliance together with at least two people. Lift the appliance while carrying so it does not damage the floor.

- The appliance should be checked after its package is opened. In case of a damage, it should not be installed.
- The components may be sharp, wear protective gloves during installation
- The appliance should be installed in accordance with the rules related to the electricity and gas mentioned in the local standards.
- The dimensions mentioned in the image, are in mm.
- Kitchen cabinets should be on the same level with the appliance and fixed.
- Do not mount the appliance in a decoration or closed furniture. It is dangerous due to overheating.
- The furniture, where the installation would be applied, (min. 100°C) should be made of durable material.
- It is not recommended to install the appliance close to the cooler. The performance of these appliances should be impacted negatively due to the heat.

## Electricity Connection and Safety

---

⚠ Power grid should be disconnected during installation. Do not turn it on until the installation ends.

- The appliance should be installed correctly by the authorized service technician in accordance with the specified instructions.
- Do not pass the connection cables over the hot surface. When the cables melt, they may cause a short circuit or a fire.
- If the cables are damaged, they should be replaced by an electrician.
- They should be plugged into a (grounded) outlet in the grounding system in accordance with the rules.

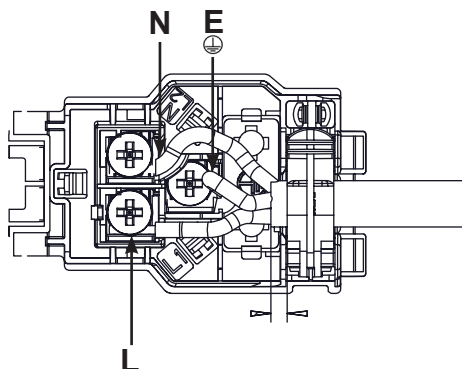
If there is not a suitable outlet, call the electrician and have your electrical wiring checked.

- Make sure that your plug is grounded.
- The company is not responsible for the damages incurred by the ungrounded outlets where the appliance is plugged in.
- **If the product has a cable and a plug;** an electrical connection is established by plugging the appliance in a grounded outlet.
- **If the product has a cable but not a plug;** coding should be performed by an expert suitably.

**Grounding cable = E** → Green - Yellow

**Neutral cable = N** → Blue

**Phase cable = L** → Brown



## Installing Below Counter (Figure 2)

- The cabinet should be in compliance with the dimensions mentioned in figure 2.
- You need to unload the rear compartment of the cabinet in the dimensions mentioned in figure 2 for necessary ventilation.

## Installing Into A Tall Cabinet (Figure 3)

- The cabinet should be in compliance with the dimensions mentioned in figure 3.
- You need to unload the rear compartment of the cabinet in the dimensions mentioned in the figure for necessary ventilation.
- Moreover, if there is a back panel in the tall cabinet, it should also be removed.

## Ventilation (Figure 4)

In order for you to get better efficiency from your oven, there

should be adequate cold air intake. Leave suitable spaces according to the dimensions mentioned in Figure 4.

## Installing On The Corner (Figure 5)

- The installation should be in compliance with the specified dimensions to perform the installation mentioned in Figure 5 and to be able to open the appliance door.

## Fixing The Appliance (Figure 6)

- Center the appliance and push it completely into the furniture.
- Power cable should not be bent under the oven and between the oven and the furniture.
- Open the appliance door.
- Fix the appliance with the screws provided along with it.
- Screw the appliance into the holes, which are shown in figure 6.
- Make sure that the oven is fixed. Otherwise, there is a risk of tilting during use.



## Last Checks

- Turn on the electricity after performing the installation.
- Read the user manual for using the appliance.


## Removing The Appliance


- Turn off the electricity.
- Remove the fixing screws.
- Lift the appliance together with at least two people by pulling it out.

## Future Carrying Procedures

While carrying the appliance in the future;

- Retain the original box of the appliance. In case there is no original box, tape and wrap it with a bubble packaging or a thick cardboard tightly.
- If there is an accessory in it, place a cardboard in the size of the oven door so the oven door is not damaged. Tape the door to prevent it from opening.

 Do not lift the oven by holding its handle or door.

 Do not place an item on the product, carry it uprightly.



QX