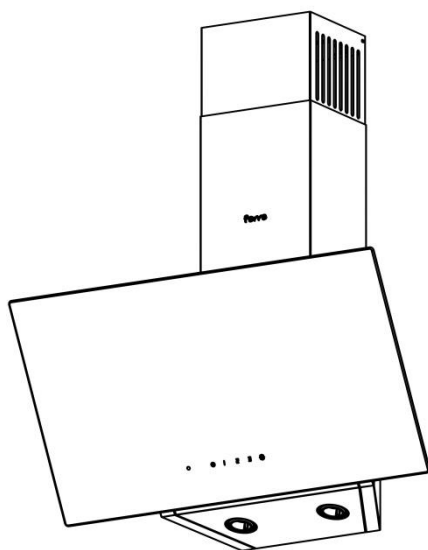
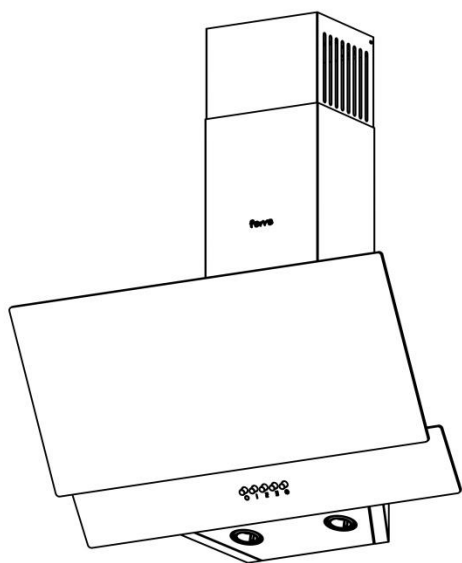


Ferre

[EN] SAFETY, INSTALLATION and OPERATING MANUAL



CE

IMPORTANT SAFETY INSTRUCTIONS PLEASE READ CAREFULLY AND KEEP IT FOR FUTURE REFERENCE

Please first read this manual!

Dear Customer,

Please read this manual thoroughly prior to using the product and keep it for reference purpose. If you transfer the product to another person, give the manual as well.

The manufacturer will not accept any responsibility for any damage or fire caused by possible problems arising from failure to comply with the instructions given in this manual.

Please contact with the authorized service centre for all questions.

Operating manual help you use the product correctly and safely.

- Read the operating manual prior to setting up and operating the product.
- Comply with the safety-related instructions definitely.
- Please keep the operating manual in a handy place for any possible need.
- Read other documents given together with the product as well.

Please remember that the present operating manual may also apply for other versions. There may be differences among the versions due to different manufacturers, but the cleaning and maintenance conditions are same.



: General Warning



: Fire Warning



: Electric Warning

Manufacturer

FEMAŞ METAL SANAYİ ve TİCARET A.Ş.

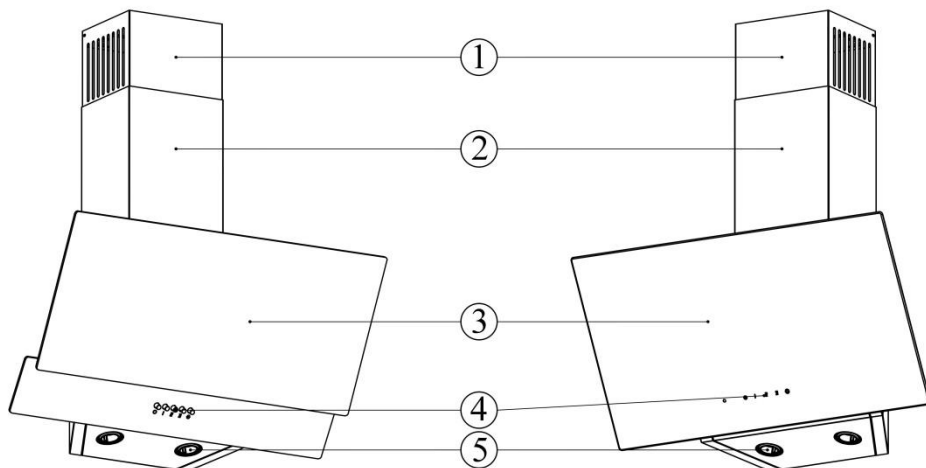
Organize Sanayi Bölgesi 9. Cad. No:17

Melikgazi / Kayseri / TURKEY

TECHNICAL SPECIFICATIONS OF THE EQUIPMENT	5
WARNING AND SAFETY PRECAUTIONS	8
INSTALLATION AND ACCESSORIES	13
INSTALLATION OF THE HOOD	14
OPERATING AND USE OF THE HOOD	18
CLEANING AND MAINTENANCE	22
SERVICE, SPARE PARTS AND WARRANTY	25

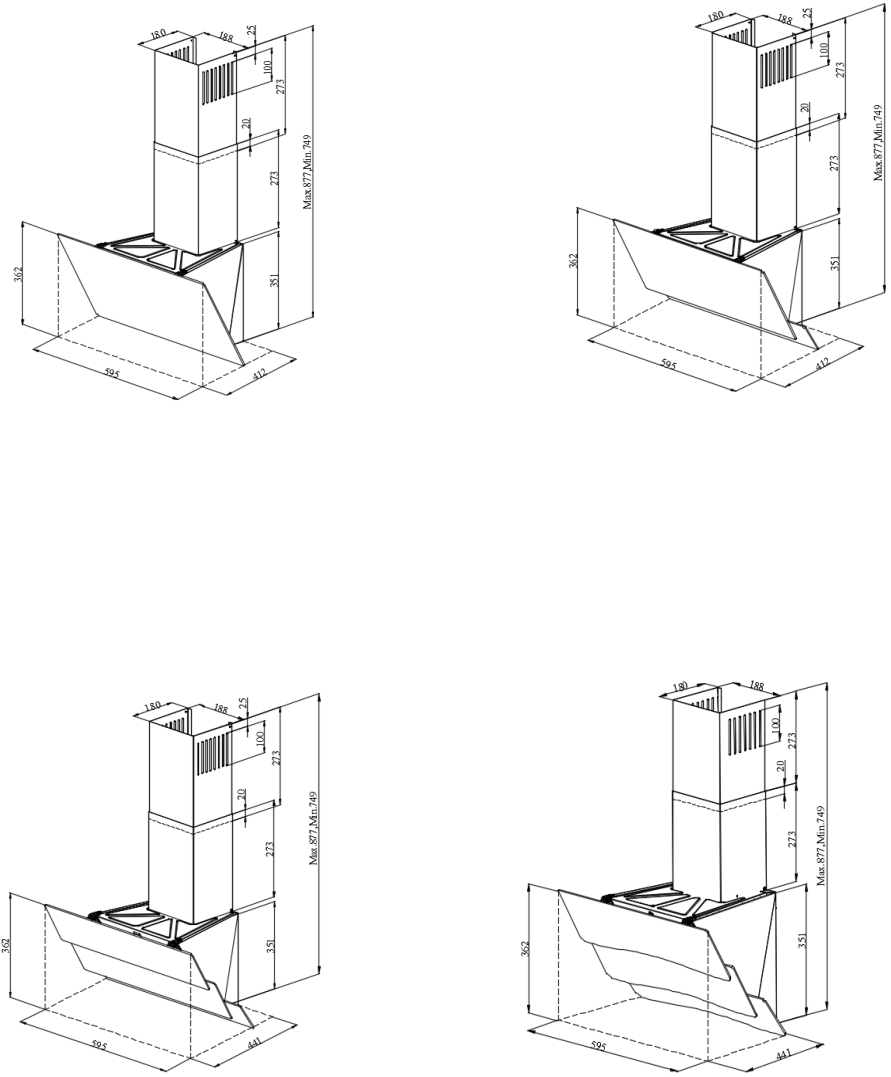
TECHNICAL SPECIFICATIONS OF THE HOOD

OVERALL VIEW



(Figure 1)

1. Height-adjustable interior flue
2. Fixed exterior flue
3. Glass cover
4. Control panel
5. Lighting



(Figure 2)

TECHNICAL SPECIFICATIONS

Product Code	D002.xx.xxx.xx.Z004/Z005
Voltage & Frequency	220-240Vac 50Hz
Total product power	Min 2W- Maks. 117W
Motor power	115W
Lamp power	2 x 1W
Control Panel	3-Speed
Air outlet connection diameter	150-120mm
Product width	595-895 mm
Product depth	412-435-441mm
Product height	624mm - 877mm

Product Code	D002.xx.xxx.xx.Z009
Voltage & Frequency	220-240Vac 50Hz
Total product power	Min 2W- Maks. 222W
Motor power	220W
Lamp power	2 x 1W
Control Panel	4-Speed
Air outlet connection diameter	150-120mm
Product width	595-895 mm
Product depth	412-435-441mm
Product height	624mm - 877mm

Product Code	D002.xx.xxx.xx.Z015
Voltage & Frequency	220-240Vac 50Hz
Total product power	Min 2W- Maks. 242W
Motor power	240W
Lamp power	2 x 1W
Control Panel	4-Speed
Air outlet connection diameter	150-120mm
Product width	595-895 mm
Product depth	412-435-441mm
Product height	624mm - 877mm

WARNING AND SAFETY PRECAUTIONS



WARNING

This product is designed for domestic use as a version to exhaust or filter the air. It is not designed for operating outdoors.



WARNING

Warning: This product may be used for children above 8 years old and by persons with restricted physical, perceptual or mental skills only if they are kept under supervision or given instructions for safety use of the product and they are well aware of the product-related risks. Children should not play with the product. If they are not above 8 years old and under supervision, cleaning and maintenance of the product should not be performed by the children. Keep the product and its cable in a place out of reach of the small children under 8 years old.



WARNING

When the electric range hood is simultaneously used with other equipment using gas or other fuels, the room should be ventilated well (It may not be applicable for equipment which only recirculate the air in the room).



WARNING

Keep the packaging materials in places out of reach of the children or destroy them. Access to the packaging materials by the children may lead to dangerous consequences.



WARNING

Unless there is no supervision and management with respect to use of the product by a person responsible for safety of the product, this product is not intended to be used by persons (including children) who are restricted physical, sensual and metal skills or lack of experience and knowledge.



WARNING

Assure that the plug is easily accessible in order to switch it off in case of any risk.



WARNING

Electric products are dangerous for children. When the equipment operates, keep children away from the electric equipment. Do not allow children to play with the equipment.



Mains values should match with those given in the nameplate of the hood. Lift the glass cover and remove the filter in order to have access to the nameplate.



Use "Maximum 6A" fuse in the power installation to which the hood is connected both for your own safety and product safety.



During installation, power cable should not be subject to compression or crush. If the power cable is damaged, it should be replaced by an authorized service centre or a qualified electrician. It also applies to any possible damage of the power cable in future.



Product should be connected to the mains only by an authorized and qualified electrician. Product warranty starts only after correct installation of it.



Do not plug the product before you fix it on the wall.



Grounded plug is installed to the power cable of your product. This cable should definitely be insert into a grounded socket.



Disconnect power connection of the product prior to cleaning and maintenance. (Remove the plug of the product from the socket for disconnection.)



Warning: Failure to fix the screws or fastening elements according to the instructions may lead to electric risks.



When installation of the product is completed, leave a distance of 60 cm between the product and electric ranges or minimum 65 cm between the product and

ranges using gas or other fuels. If larger distance is specified in the installation instructions of the gas-fueled ranges, you should stick to them.



WARNING

CAUTION: When the hood is used together with the cooking equipment, the accessible parts may be heated.



WARNING

Flammable food should not be cooked under the hood.



WARNING

Bare flame is very harmful for the hood and may lead to fire risk; it should, therefore, be avoided.



WARNING

In case of flaming, disconnect power of the hood and cooking equipment (Disconnect the power by removing the plug of the product from the socket).



WARNING

Operate the hood after you put pot, frying pan or cooking containers on the range. Otherwise, high heat may cause deformation of your product.



WARNING

Switch the range off before you take the cooking containers such as pot or frying pan from the range.



WARNING

Do not leave the cooking containers such as pot or frying pan on the range when they contain hot oil. Cooking containers with hot oil in them may cause to self-ignition. Especially be careful when you fry. Watch the curtains and cloth covers due to easily flammable character of the oil.



WARNING

Oils accumulating on the filters, which are not cleaned and/or replaced timely cause fire risk.



WARNING

If the cleaning is not performed periodically and by proper methods, your product may have fire risk. You should clean inside and outside of the hood by giving due heed to the maintenance instructions (minimum once in a month).



Do not use any filtering materials not resistant to heat and flame instead of the existing filter on the product. Do not operate your product without filter.



Power cable should not run near the ranges because it may melt and cause fire as it would expose to high temperature.



If you operate lamps of the product for a long time, do not touch the lamps. Lamps may burn your hand as they are still hot.



Unless it is specially specified, never use the hood as a supporting surface. Do not place any weight on it.



Use the screw supplied with the product for installation or if they are not supplied then purchase proper type of screws. For installation, use screws with correct diameter and height as specified in the manual.



Regulations related to exhaust of the outlet air should be observed.



Air should never be exhausted into the flue which is intended for exhaust of the smokes emitted from the equipment using gas or other fuels to outside (It may not be applied for the equipment which only recirculates the air in the room). Flue of the hood should be only for the hood. It should not be used with equipment in common.



Exit of the hood should not be connected to the air ducts where flues of other types of equipment are located.



When you connect the hood to the flue, use pipe in diameter of 120 mm. For good performance, the pipe connection should be as short as possible, smooth and with minimum bends.



Discharge pipe is not supplied with the product. It should be purchased separately. Diameter of the discharge pipe should be equal to the diameter of the connection ring.




As the hood expels the air in the room to the outside, other equipment operating with air may be affected. For this reason, when the hood operates, allow entry of fresh air into the house.



In case of use of activated carbon filter without flue connection, never wash the activated carbon filters. Depending on frequency of use of this filter, you are recommended to replace it in 2-4 months in average. When you desire to replace it, please contact with the authorized service centre.

This equipment is market as per the European Directive 2012/19/EC on Waste Electric and Electronic. If you ensure proper disposal of this product, you will prevent adverse effects that may arise due to improper treatment of the product for human health.



The symbol  used on the product itself or on the documents given together with the product refers to the fact that this equipment should not be considered as domestic waste. The equipment should be delivered to the gathering site of recyclable products where this type of electric and electronic equipment is disposed. Disposal of waste should be performed in accordance with the current local environmental regulations with respect to disposal.

For detailed information about recycling conditions of this product, consult to the related department of the local municipality, waste treatment service or dealer of the product.

Prior to Unpacking the Product:

Make sure that the electric installation is proper. If you are not certain, call a qualified electrician and cause the required arrangements are performed by him.

Preparation of the installation site as well as the electric installation is for responsibility of the customer.

For installation of the product, the rules related to power as specified by the local standards should be observed.

Control whether the product has any damage prior to installation of it. If the product is defective, do not install it. Otherwise the defective product may pose risk for safety.



WARNING

The room should be ventilated well for safe operation of the product.

If there is no window for ventilation of the room, you should provide an extra ventilation (vent on the window pane, etc.). If there is vent in your kitchen, never block it.

Inspect condition of other materials inside the hood (e.g. installation accessories, operating manual) in the carton box and remove and keep them in a separate place. Never keep them in the hood.

Do not install the product on such surfaces as tile, gloss or silicon. Fix it on the wall only.

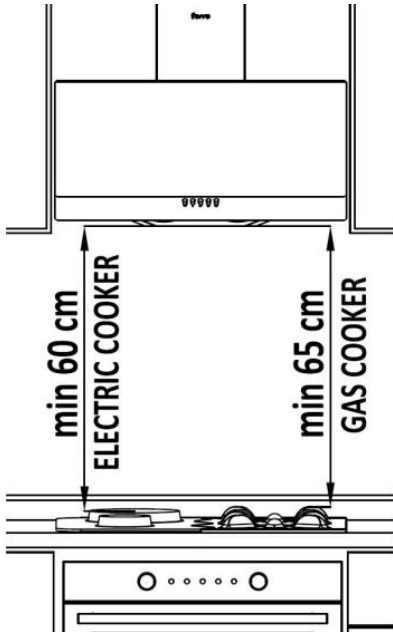


WARNING

Do not allow the children to play with the packaging materials!!!

INSTALLATION OF THE HOOD

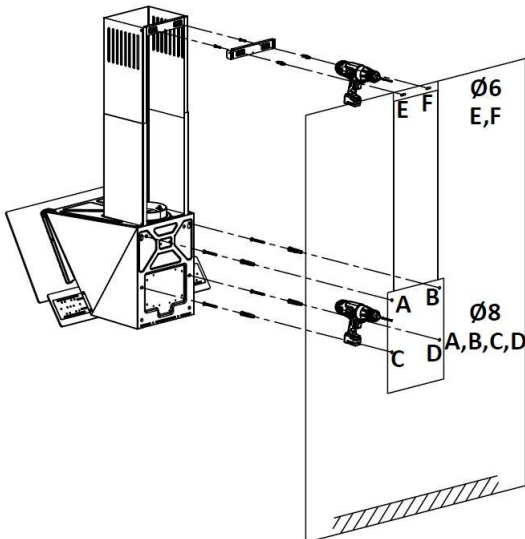
Please follow the following order of actions to install the product.



(Figure 3)

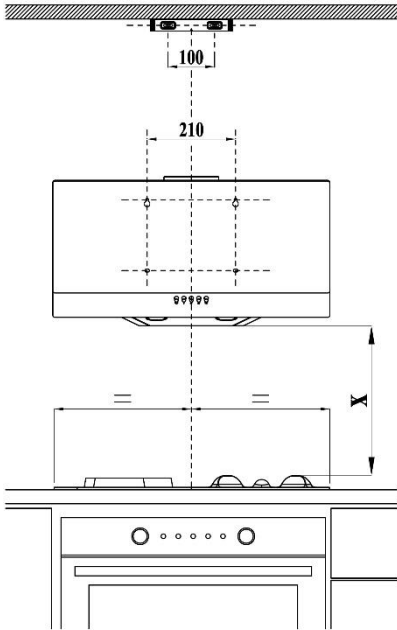
Position of the Product:

When installation of the product is completed, there should be a clearance of 60cm between the product and electric ranges and 65 cm between the product and ranges using gas or other fuels. (Figure 3)



(Figure 4)

1) Drill a hole $\text{Ø}8$ mm on the Wall by using the installation template located in the product box together with the installation equipment. (A,B,C,D) and insert plastic wall plugs into these holes $\text{Ø}8$ mm. (Figure 4)

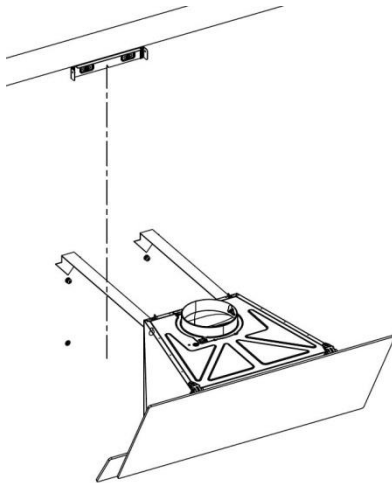
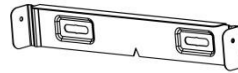


2) Taking into consideration height of the installation site, drill holes $\varnothing 6$ mm on the Wall by using a drilling machine (**E,F**) for interior flue connection sheet and insert plastic wall plugs $\varnothing 6$ mm into these holes.

3) Tighten 2 of 4,8x50 YSB screws in to the wall plugs at the points **A** and **B**. Make sure there is a clearance of 5 mm between the screw head and wall.

4) Fix the interior flue connection sheet into the wall plugs $\varnothing 6$ mm at the points **E** and **F** by using the screws 3,9x22 RYSB.

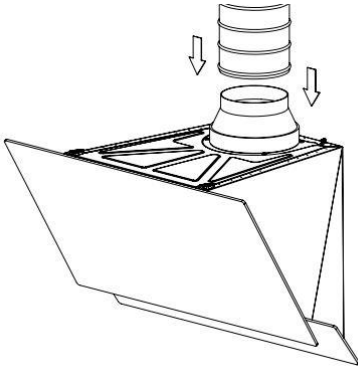
Interior flue connection sheet



(Figure 5)

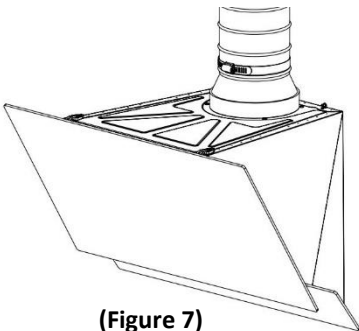
5) Hang the hood by engaging it with the screws through the suspension holes at **A** and **B** where there is a 5-mm clearance of between the screw heads and wall. (Figure 5)

6) Open the glass cover of the hook by pulling it towards yourself and remove the aluminum cartridge filter. And, fix the product by tightening other screws 4,8x50 YSB into the plastic wall plugs in the holes **C** and **D** visible from the inner part of the product.



(Figure 6)

7) Connect the hood with the aluminum pipe. Pass the flexible aluminum pipe into the plastic flue and fix it by using the plastic cable holder or clamp without overtightening. Insert other end of the pipe into the flue hole on the wall. **(Figures 6-7)**



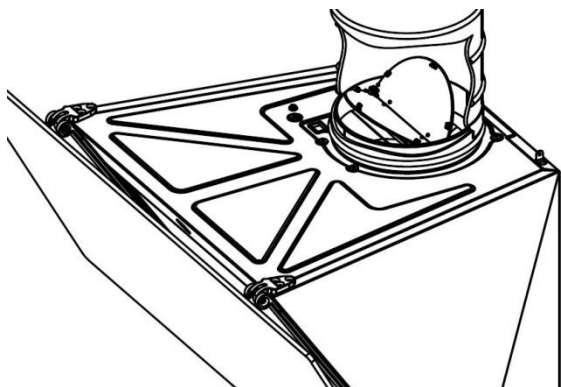
(Figure 7)

**WARNING**

Prior to connecting the hood with the pipe, you should control the plastic flaps at the product air exit point. Before making the pipe connection, operate the hood and make sure the flaps move upwards correctly and allow air exit. Otherwise, change direction of the flaps. **(Figure 8)**

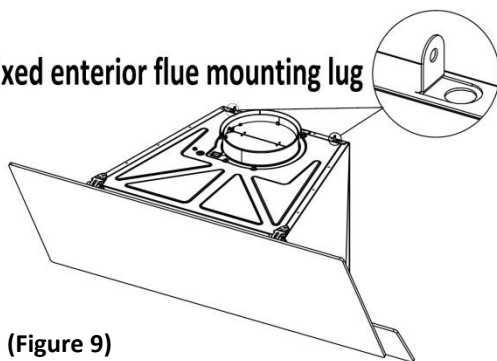
**WARNING**

Overtightening of the cable holder or clamp when making pipe connection may prevent operation of the flaps. Prior to connecting the pipe with the chimney of your house, you, therefore, control whether the hood operates properly by operating it.



(Figure 8)

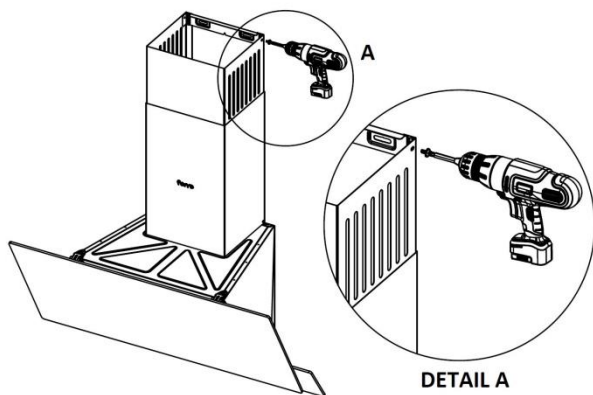
Fixed exterior flue mounting lug



(Figure 9)

8) Insert the interior flue into the exterior flue carefully.

9) Pull the interior flue upwards through the exterior flue and fix it with the screw 3,5x6,5 RYSB on the interior flue connection sheet, which you had screwed on the wall previously. **(Figure 9)**



(Figure 10)

10) Fix the exterior flue on the flue mounting lugs located on the upper surface of the hood (2 pieces, right-left) by using the screws 3,5x6,5 RYSB. **(Figure 10)**

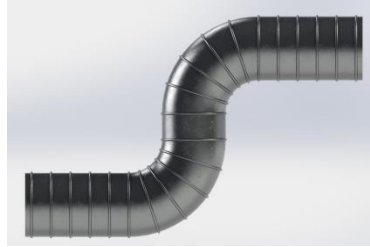
To use the hood efficiently:

When connecting the hood with the flue, use pipe in diameter of 120 mm and minimum number of bends as far as possible. As the bends and elbows on the aluminum pipe will cause reduction in the air suction power, you should avoid use of much bends and elbows as far as possible (**Picture 1**)

Give heed to regular use of the aluminum cartridge filters and replacement times of the carbon filters.



Correct



Incorrect

Picture 1

OPERATION AND USE OF THE HOOD

Prior to Operating the Hood



WARNING

Prior to operating the hood, make sure all mechanical and electric connections are completed.



WARNING

Do not leave any foreign material inside the hood. Make sure there is no packaging material around it.



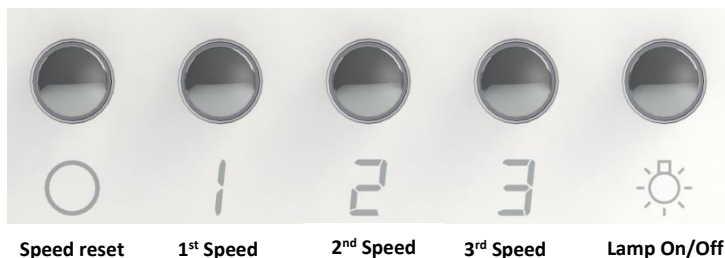
WARNING

Make sure you remove blue protection band at the edges of the washable aluminum cartridge filter on the hood. Please remember that if this protective band is not removed, it poses burning risk as it is not of inflammable character.

Selection of Speed

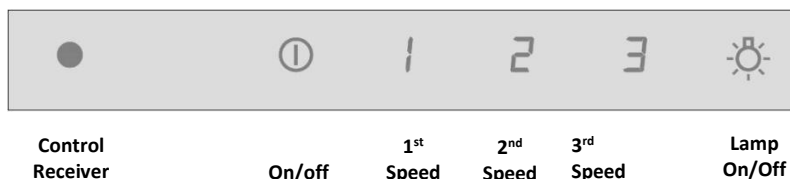
There is 3-speed ventilation on the product. Depending on the steam which occurs during the cooking process, select of the operating speeds, i.e. low (1st speed), medium (2nd speed) and high (3rd speed). After you complete the cooking operation, leave the hood in operation for a while, thus the remaining smell and steam will be sucked.

Mechanical Button Control



To operate the hood, select and press one of the buttons shown above (**1, 2** or **3**). To stop the operation, press the speed reset button leftmost (**0**). Press the lamp on-off button rightmost to control the lamp.

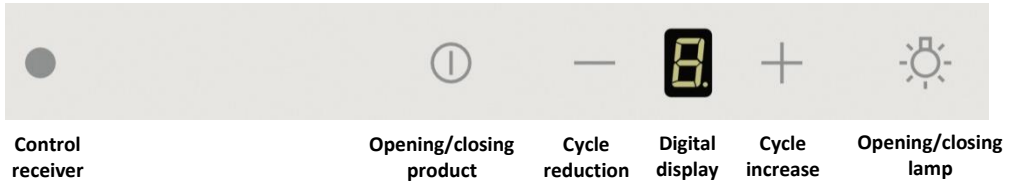
Electronic Control



Touch on-off symbol shown above in order to operate the hood. And, depending on the steam density generated during the cooking process, touch one of the symbols (**1, 2** or **3**). To stop the operation, touch on/off symbol again. To control the lamp, touch the lamp on-off symbol rightmost.

Note: In order to operate air traction function of product, it is required for you to make the product become ready by using opening/closing symbol. Without touching this symbol, product engine will not operate. Product lamp can operate as being independent from the engine.

Electronic Control – 2 (With digital display)



To operate the hood fume, touch the product opening/closing symbol that is showing in above image. Afterwards, by touching + or – symbols depending on vapor density that forms during cooking, determine the operating speed of engine. In order to end the operation, touch the product opening/closing symbol again. In order to control the lamp, touch lamp opening/closing symbol that is on the far right.

Note: In order to operate air traction function of product, it is required for you to make the product become ready by using opening/closing symbol. Without touching this symbol, product engine will not operate. Product lamp can operate as being independent from the engine.

Remote Control

If your product has electronic control, it will come with 1 remote control.

(Picture 2)



Picture 2

1. On/Off
2. Lamp On/Off
3. Speed Reduction
4. Speed Increase
5. Timer

Timing Control (Automatic Stop) 5 minutes:

If your equipment is electronically controlled, it has automatic stop option to automatically stop itself after driving out any undesirable smell and steam left in the atmosphere and some ventilation for a while.

If you press any cycle symbol (1, 2 or 3) that is on control panel for more than 3 seconds to activate automatic stopping function, 5 minute timer will become activated. 5 minutes after timer is activated, device will be automatically closed if no intervention is made. When automatic stop function is activated, if you touch same cycle symbol, automatic stop function will be deactivated and device will continue to operate. Furthermore, please remember then when you switchover to a different speed, this function will be disengaged. If you want your equipment to automatically stop, you should engage the automatic stop function again.

Functions of the equipment

Hood can be used in kitchens with or without flue.

For use with flue:

In case of use with flue connection, the hood should be connected to a flue to exhaust the air. For efficient use of your hood, you should follow the shortest way of the piping to the flue and the airway should be open

Your product is delivered from the factory as suitable for use with flue.



Warning!

Hood should not be connected to air channel where there are other smokes.

For use without flue



Activated Carbon Filter

In the places without any pipe for connection to outside, you should use activated carbon filter to filter and recirculate the air in the place. You should get the activated carbon filter from your authorized service centre. **(Picture 3)**

Picture 3

Replacement of Activated Carbon Filter

You should use 2 carbon filters on the product.

In order to put the carbon filter in place, the channels on the motor cover should be brought to alignment with the lugs on the filter and rotate it half turn clockwise. To remove it, you should rotate it anticlockwise by half turn. **(Figure 11)**

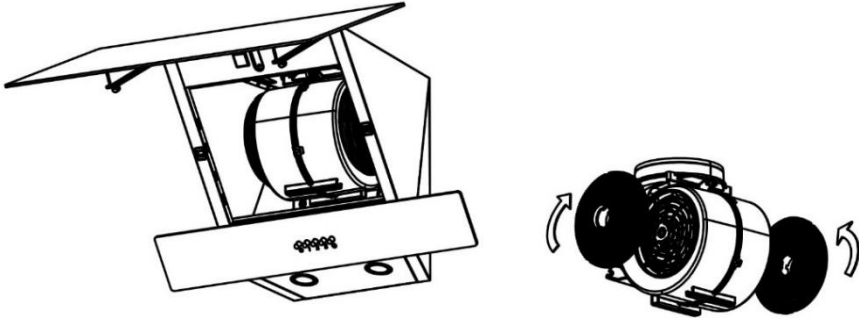


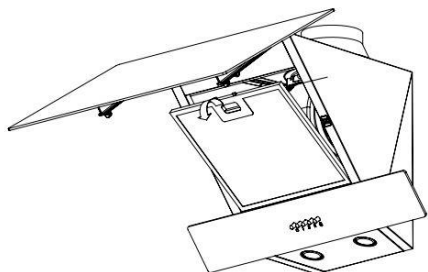
Figure 11

CLEANING AND MAINTENANCE

Cleaning

- Before maintenance and cleaning operations, you should remove the power cable from the socket or switch the hood off.
- External surfaces of the hood should be wiped with a cloth damped with soap water.
- Do not use corrosive and dangerous chemical materials.
- Be careful that water or similar substances should not contact with the electronics.
- For products made of stainless sheet, use of commercially available maintenance and cleaning agents for stainless product will ensure your product to serve longer.
- Aluminum cartridge filters are washable in the dishwashing machines.
- Aluminum cartridge filter should be washed one in several months (after each 40 operating hours in average) depending on frequency of use with hot soapy water or, if possible, individually in the dishwashing machine (maximum 60°C).
- After washing, aluminum cartridge filter and its frame may discolour. This is normal and does not affect function of the filters.
- Remove the aluminum cartridge filter by pushing the spring catch at the end. After cleaning, allow it to dry. Do not put in un place before it gets dry

(Figure 12)



Washable Aluminum Cartridge Filter



Figure 12

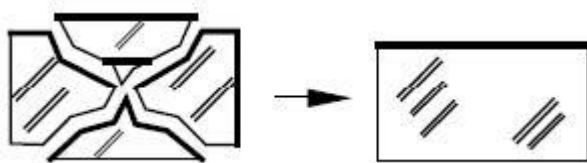
*If you desire to replace aluminum cartridge filter, consult to the nearest authorized service centre to get it. For this purpose, you should state the version number written on the nameplate of your product. Filters for other brands and versions commercially available are not compliant with your product.

General Information About Lamps and Replacement of Lamps

Hood is equipped with a LED-based lighting system.

When LEDs are compared with ideal lighting and normal lamps, they provide a service time 10 times longer, with energy savings up to 90%.

If you encounter any physical deformation of the lamp of the hood or any problem with its lighting, please contact with the authorized service centre.



If there occurs any crack or break on the surface of the lamp, contact with the authorized service centre and replace it.

If it is required to replace the lamps, please check the following info and replace it with an alternative having the same technical specifications.

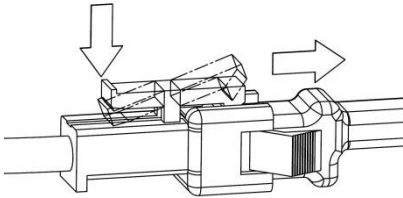
- ILCOS D code: DBR-1-H (ILCOS d code as per standard IEC 61231)
- LED module – semi-transparent plastic
- Rated power of each lamp: 1W

- Maximum lamp potential power for replacement: 2 x 1W
- Voltage range of the lamp: 220 - 240V
- Product sizes: diameter: 35,8 mm / height: 30 mm

If required, you may acquire new lamps from the authorized service centre.

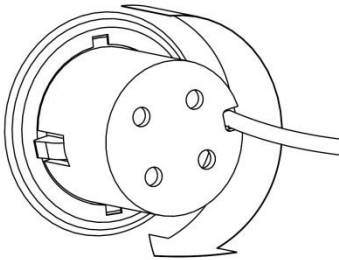
Replacement of the Lamps

Prior to replacement of the lamps, remove power cable of the hood. And then lift the front glass upward and remove the aluminum cartridge filter. Afterwards:



(Figure 13)

1. Disconnect the female and male connectors of the lamps by pushing back part of the plastic lug as shown in the figure at left here to release the locking mechanism. **(Figure 13)**



(Figure 14)

2. Hold the lamp at its body and rotate 2 retaining lugs on the lamp clockwise or anticlockwise to match with the gaps on the lighting panel. After bringing the retaining lugs to align with the gaps, hold the lamp at its body and bring it out. **(Figure 14)**

Things the Customer Should Consider Related to Warranty

Keep the warranty certificate of the product. If the customer cannot submit the warranty certificate, the product is deemed excluded from the warranty. Auxiliary components and accessories to be purchased in addition to the product are kept outside the product warranty. Materials which are required to be replaced over time and depending on use as specified in the operating manual are not covered by the warranty. Your product is under 2-year warranty against electric, electronic or mechanic failures. This warranty granted by Femaş Metal Sanayi ve Ticaret A.Ş. does not cover failures arising from improper or commercial use of the product, and the following situations are excluded from the warranty:

1. Any damage and failure arising from installation and use of the product in contrary to the instructions given in the manual;
2. Any damage and failure which occur during loading, unloading and handling of the product after it is delivered to the customers;
3. Any damage and failure due to low or excessive voltage, defective electric installation, use of it at such voltage that is different from the one indicated on the nameplate of the product;
4. Damage and failure due to fire and/or lightning;
5. Failure arising from use of the product in contrary to the instructions given in the operating manual which should be considered by the user;
6. Glass breaking;
7. Intervention and repair of the equipment by anybody except for the authorized person;
8. Problems arising from mounting of any part except for the parts supplied by the manufacturer.

Issue and delivery of the warranty certificate to the consumer is for responsibility of the seller, dealer, agency or representative from whom the consumer purchases the product. Falsification on the warranty certificate, deletion and destruction of the original serial number on the product will make this warranty invalid.

Aluminum filters used on the hooks should be cleaned in such manner and at such times as specified in the manual. Blackening and discolouration may occur with the filters as a result of use. Such situations are normal and do not prevent the product from performing its duty and function and they are not covered by the warranty. In case the cautions specified in the manual are not regarded with respect to the stainless steel

products, blackening, oxidation and waves on the surface may appear. Such conditions are excluded from the warranty.

Warnings About Transportation and Handling

- Observe the signs on the cartoon when handling.

If transportation is required:

- Keep its original package.
- Transport it in its original package and observe the handling signs on the package.

If the original package is not available:

- Do not put any heavy object on the hood.

AFTERSALE SERVICE:

You may refer to the list of authorized service centres to find out the nearest authorized service centre. If the list is older than 1-2 years, then please call 444 to find out the updated service centres and get answers to your questions.

Please observe the following measures.

1. When you purchase the product, have the Warrant Certificated approved by your Authorized Dealer.
2. When you need service for your product, you may call **Consumer Hotline**.
3. Please ask the service technician about his/her "technician ID".
4. When the service work is completed, remember to ask for "Service Voucher" from the service technician.
Service voucher you will get will be helpful with respect to any problem that may occur with your product afterwards.
5. Service life: 10 years. The manufacturer guarantees to make available spare parts of the product during this period.

If the hood does not operate:

Prior to contact with the service centre:

Make sure the product is plugged and the power use is sound.

Never do anything that may give damage to the product.

Control the hood according to the Table 1 prior to contact with the service centre.

If the problem resists, contact with the nearest authorized service centre.

Service and Spare Parts:

Have your product installed by our authorized service centres free of charge.

If required, you may acquire spare parts of your products from our authorized service centre. There is list of authorized service centre available in the package together with the product. In order to ask for spare part when you contact with the service centre or dealer, state the version of the product as indicated on the product label of it. When you remove the aluminum cartridge filter, you will see the product label.

Table 1

PROBLEM	CAUSE	REMEDY
Equipment does not operate.	It is not plugged in.	Make sure it is plugged in.
	On/off button is not pressed.	Press On/Off button.
Lighting fails	It is not plugged in.	Make sure it is plugged in.
	Product key does not work.	Check the button.
	Lamp is defective.	Replace the lamp.
Performance of the equipment is not sufficient or it makes high noise when working.	If you use the hood without flue, make sure the carbon filters are not older than 4 months.	Replace the carbon filters with the new ones.
	To provide air flow, your kitchen may possibly be lack of sufficient inlet for fresh air.	Ventilate the place by opening the kitchen window.
	Air exit way may be closed partly or completely.	Make sure the air discharge way is open.

If the problem cannot be removed although you complied with the instructions given in this section, you may contact with the nearest authorized service centre or call 444 85 38 to get support from our call centre.

Complies with AEEE Regulation.

Manufacturer

FEMAŞ METAL SAN. ve TİC. A.Ş.
Organize San. Böl. 9. Cad. No:17
Melikgazi / Kayseri / TURKEY
Tel: +90 352 321 36 00
Fax: +90 352 321 36 05
info@ferre.com.tr
www.ferre.com.tr



If you have any complaint, you may settle your complaints and objections by referring to the consumer courts and consumer arbitration tribunals.

For your online service support request

www.ferreservis.com

From the address or the QR code below

You can create a record by reading it.



Online Servis Destek