



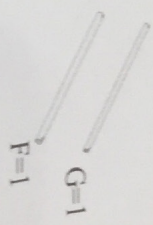
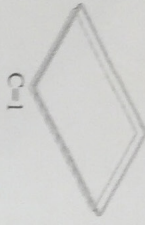
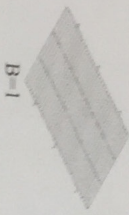
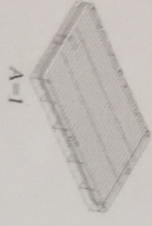
Liberta Transporter



Liberta TRANSPORTER Assembly Instructions

You should have:

All Assembly parts of TRANSPORTER Cage Shown for your reference



A. The whole packed cage

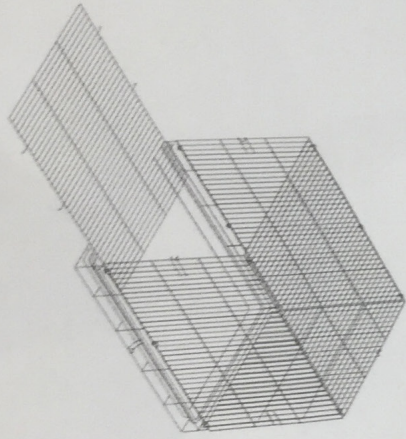
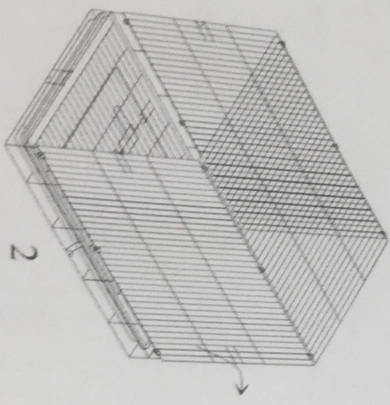
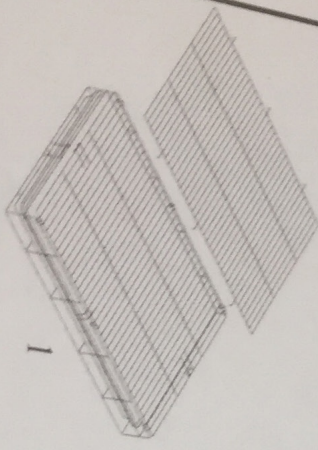
B. Grill

C. Plastic tray

D. Feeder cup

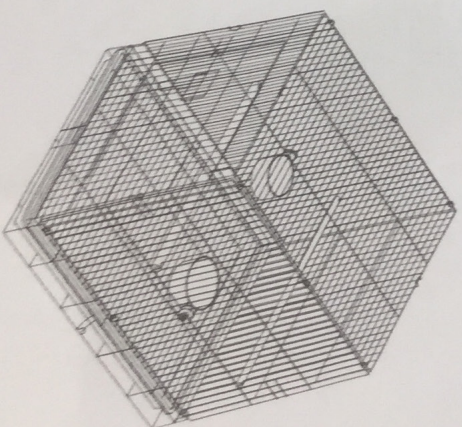
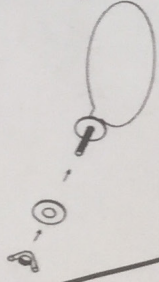
E. Holder

F&G. Perch



Put the grill into the cage with hook

close-up (fix onto the cage wire)



Finished Cage!