



# Liberta Raleigh

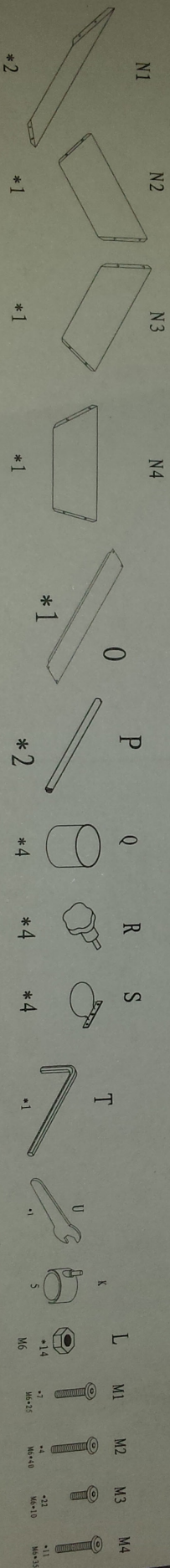
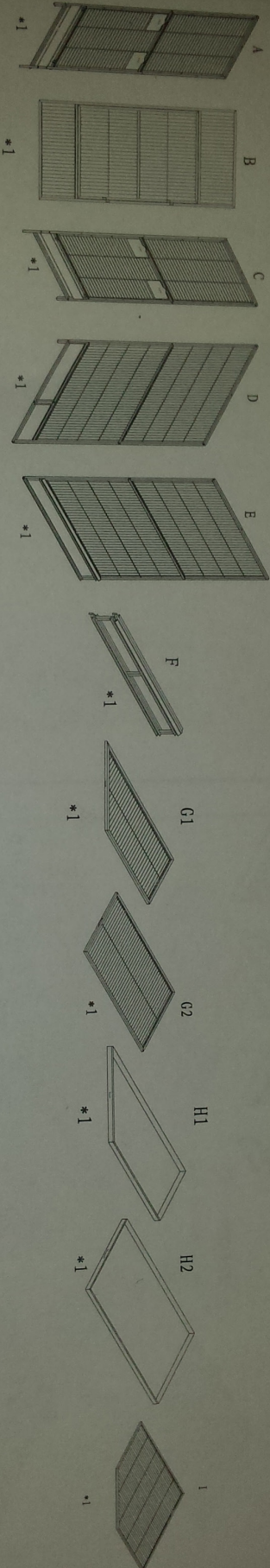


# Liberta RALEIGH

## Assembly Instructions

You should have:

All Assembly parts of RALEIGH Cage Shown for your reference



- A. left side mesh
- B. front wire mesh
- C. right side mesh
- D. right back mesh
- E. left back mesh
- F. connector

- G1. angle grill
- G2. square grill
- H1. angle tray
- H2. square tray
- I. top wire grill
- N1. left&right back seed guard piece

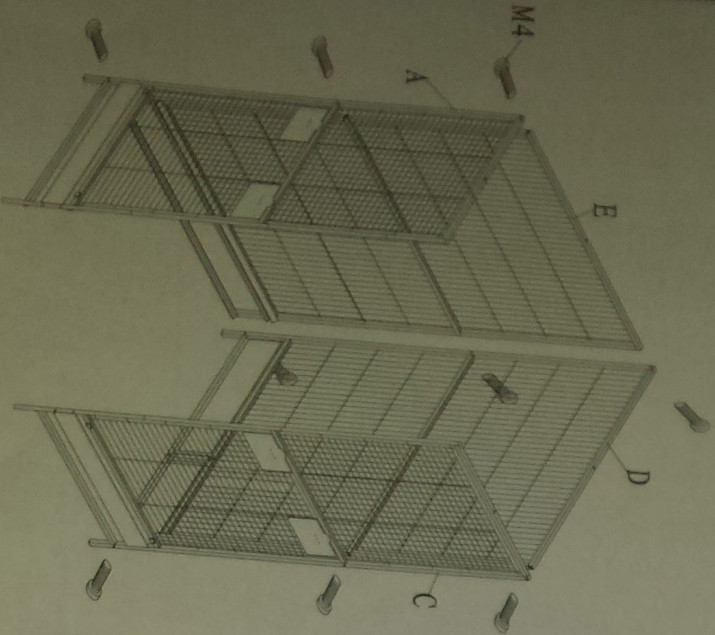
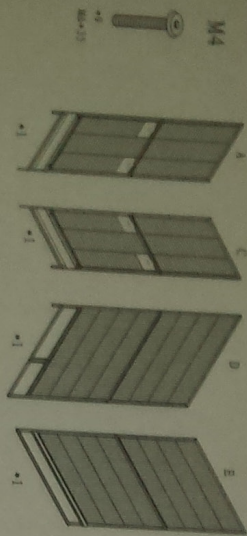
- N2. left seed guard
- N3. right seed guard
- N4. front seed guard
- O. front dam-board
- P. perch
- Q. steel cup

- R. handle of door
- S. cup holder
- T. wrench (screw all bolts)
- U. hexagon wrench
- K. wheel
- L. Nut

- M1. screw (dia=6mm L=25mm)
- M2. screw (dia=6mm L=40mm)
- M3. screw (dia=6mm L=10mm)
- M4. screw (dia=6mm L=35mm)

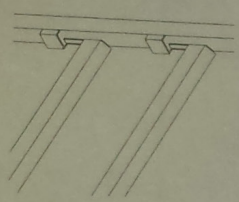
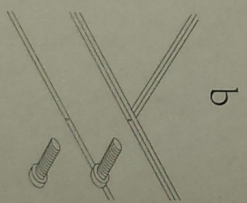
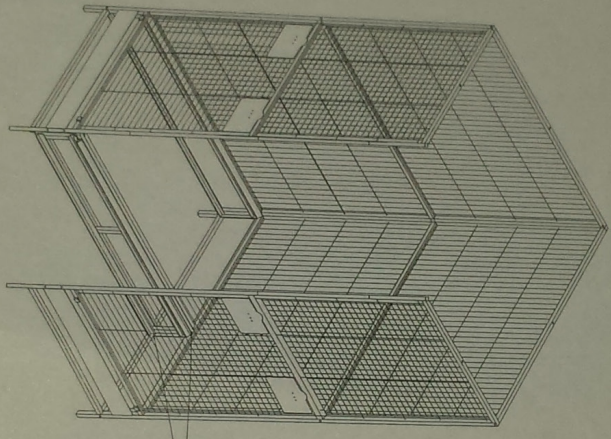
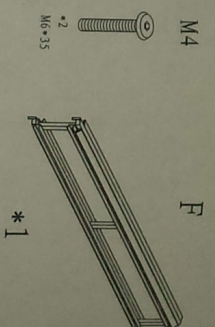
It is recommended that two or three people assemble this cage

# Step 1



Connect D and E, A and E, C and D with 9 pcs M4, keep slideway toward inside (as drawing)

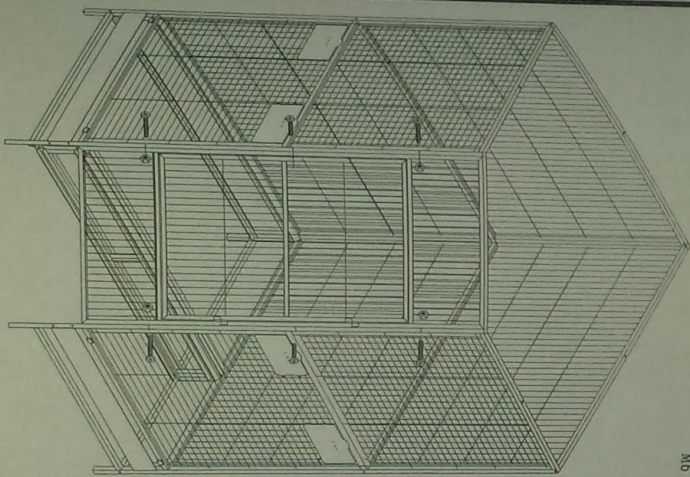
# Step 2



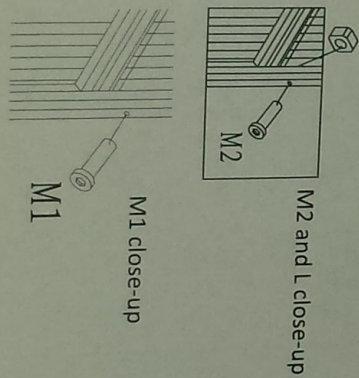
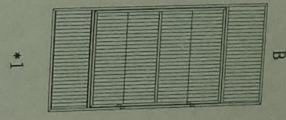
Insert hook of F into holes of A (as close-up a); connect the other end of F to D with 2 of M4 (as close-up b)

to be continue...

# Step 3



- L \*14 M6
- M1 \*2 M6\*2.5
- M2 \*4 M6\*10

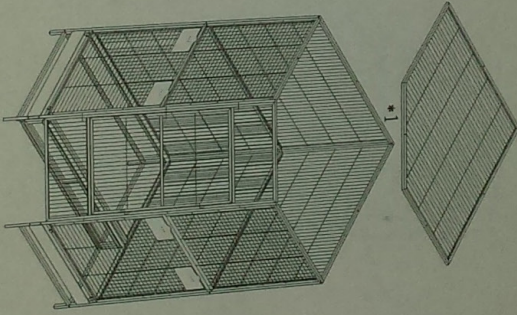


Connect B to A&C with M2 at the top&bottom, screw them up by L; and M1 in the middle position; (as drawing shown)

# Step 4

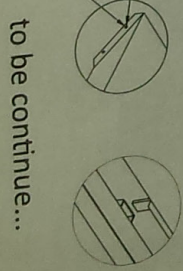
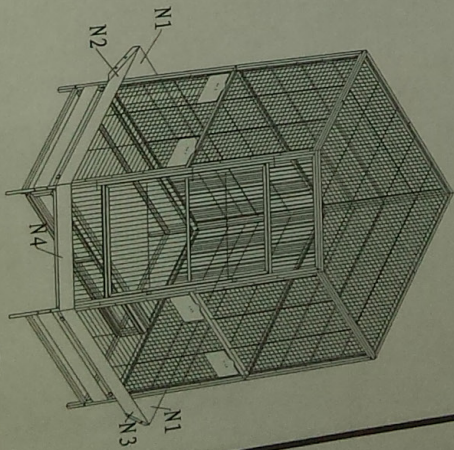
- N1 \*2
- N2 \*1
- N3 \*1
- N4 \*1

- L \*10 M6
- M1 \*5 M6\*2.5
- M3 \*10 M6\*10

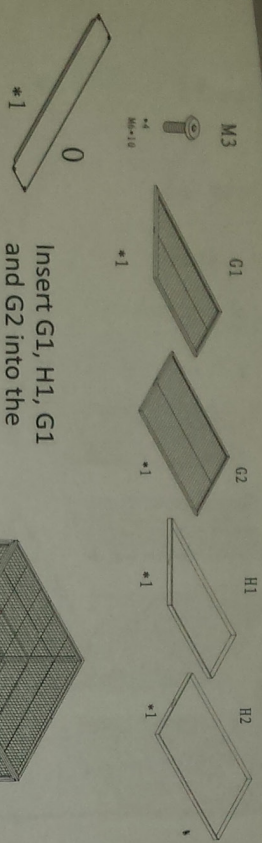


Put I onto the top of cage as drawing and then screw up by 5 of M1

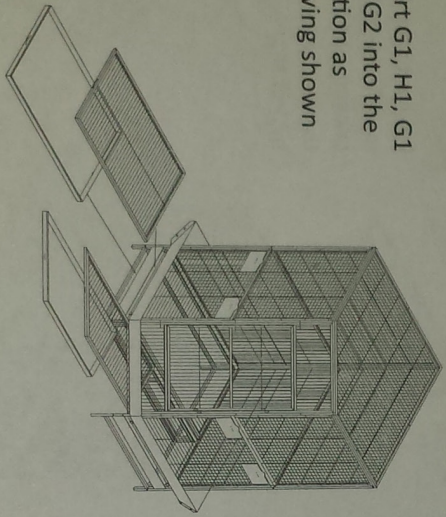
Put two protruding parts of N1&N2 into cage body's holes, then keep holes on border of N1&N2 aline, meanwhile insert M3 into the holes, screw up with L on other side(as close-up); Connect the other pieces as the same step above (position as drawing shown).



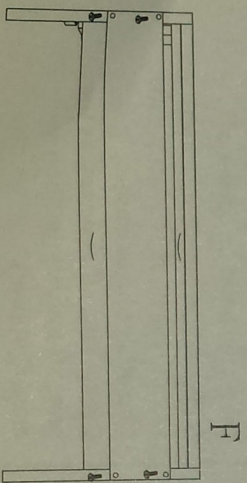
# Step 5



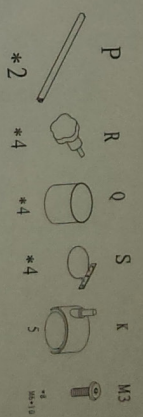
Insert G1, H1, G1 and G2 into the position as drawing shown



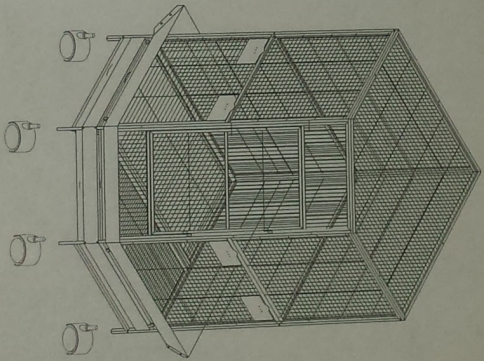
Put O onto the bottom of F, and screw by 4 of M3.



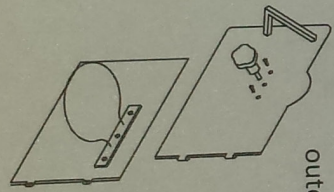
# Step 6



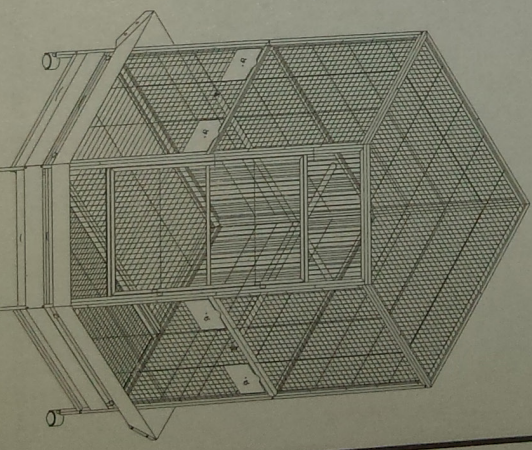
Fix 4 of S on feeder doors separately, then screw them with 8 of M3 and 4 of R (position as drawing) ; put P in the cage, finally insert K into the legs of cage.



outer close-up



inner close-up



Finished Cage!