

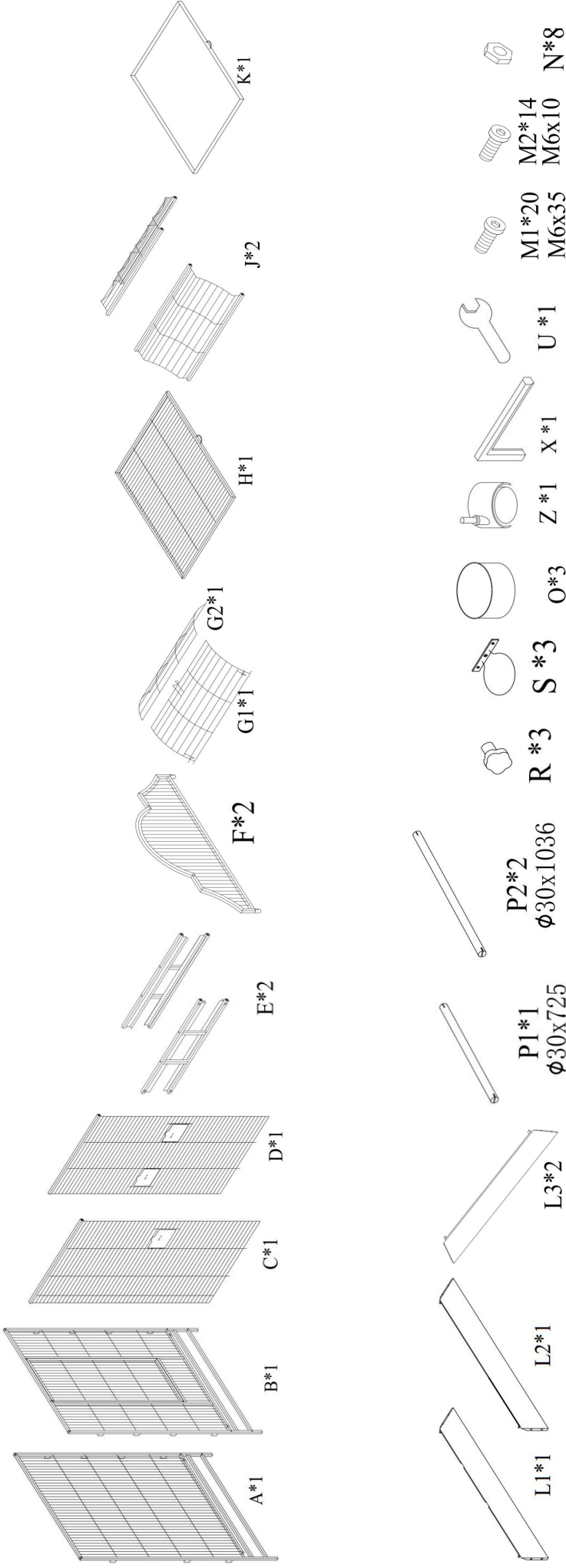


Liberta Enterprise

Liberta ENTERPRISE Assembly Instructions

You should have:

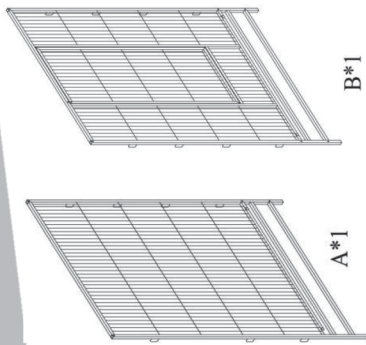
All Assembly parts of ENTERPRISE Cage Shown for your reference



A. back wire mesh	G1. open top with hook	L2. length seed guard piece	O. steel cup	N. Nut
B. front wire mesh	G2. open top without hook	L3. short seed guard piece	X. wrench (screw all bolts)	Z. wheels
C. left side mesh	H-grill	P1.perch(short one)	U. hexagon wrench	
D. right side mesh	J. top mesh	P2. perch(length one)	M1. screw (dia=6mm L=35mm)	
E. left&right connector	K. metal tray	R.handle of door	M2. screw (dia=6mm L=10mm)	
F. arched mesh	L1. length seed guard piece(with groove)	S. cup holder		

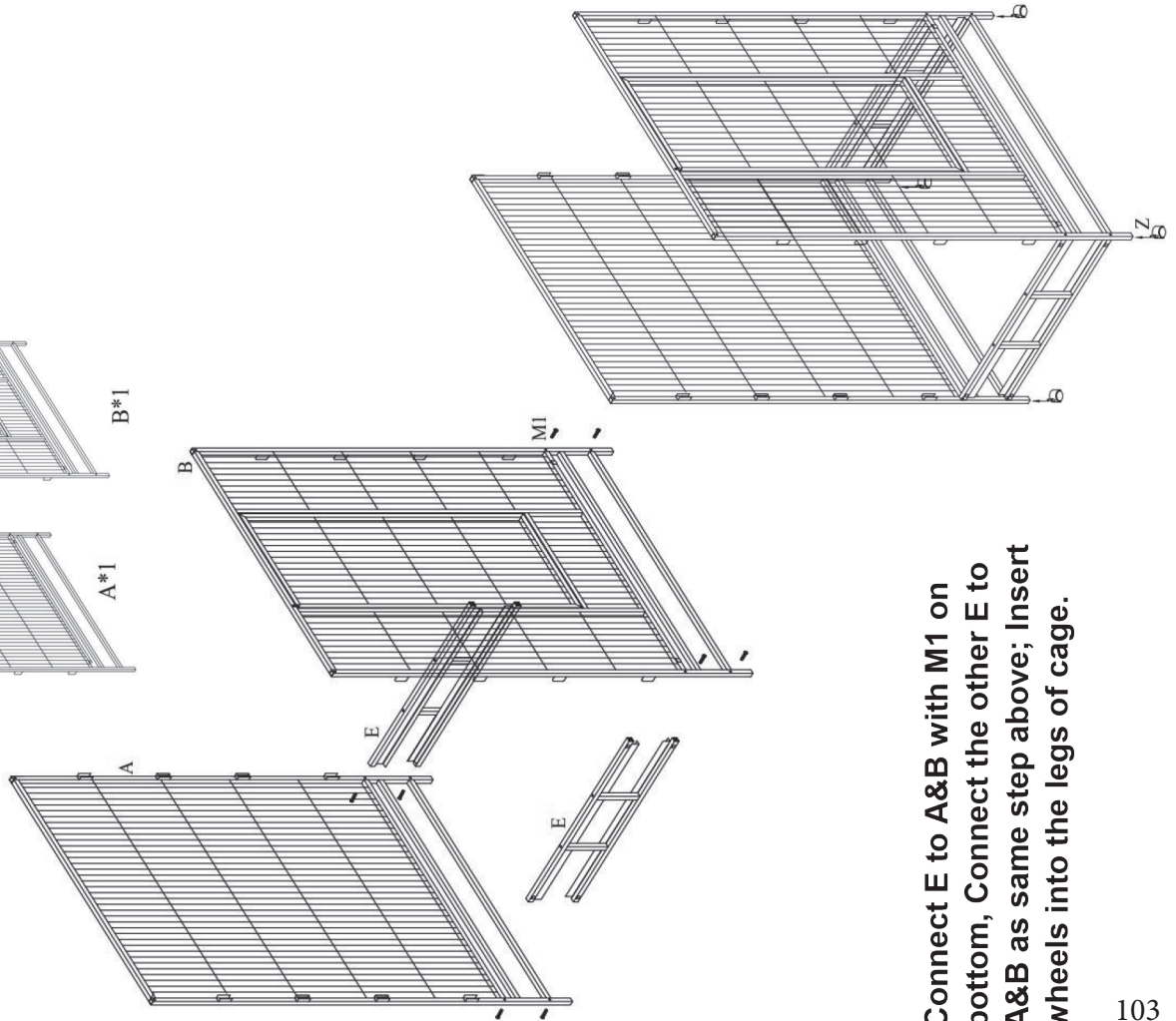
It is recommended that two people assemble this cage

Step 1



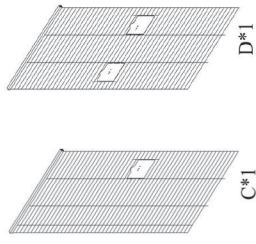
Z*4

M1*8
M6x35



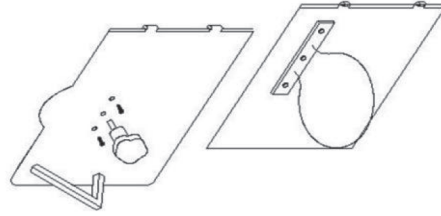
Connect E to A&B with M1 on bottom, Connect the other E to A&B as same step above; Insert wheels into the legs of cage.

Step 2

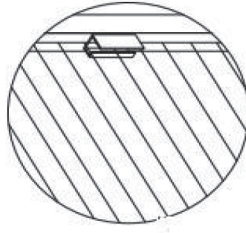


M2*6
M6x10 R *3 S *3

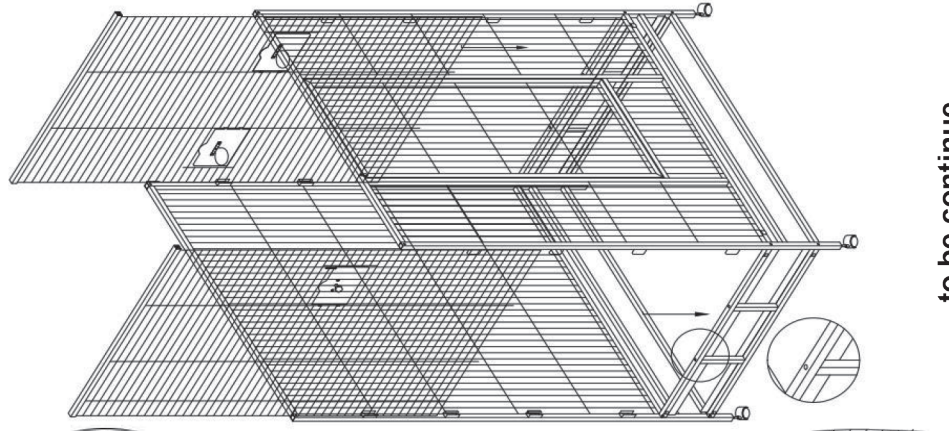
out close-up



inner close-up

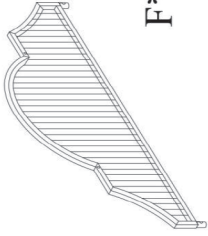


Fix 3 of S onto the feeder door separately, then screw them with 6 of M2 and 3 of R (position as drawing). Slide C and D into E along with chutes of A and B

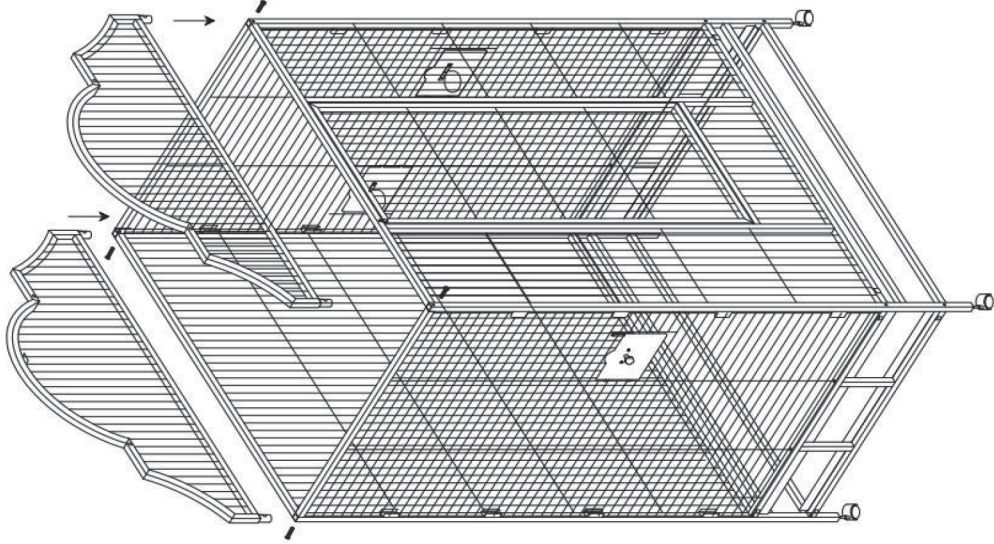


to be continue...

Step 3



Insert the axle of F into the holes of B, and then being screwed together with 2 of M1; Fix the other F as the same step above.

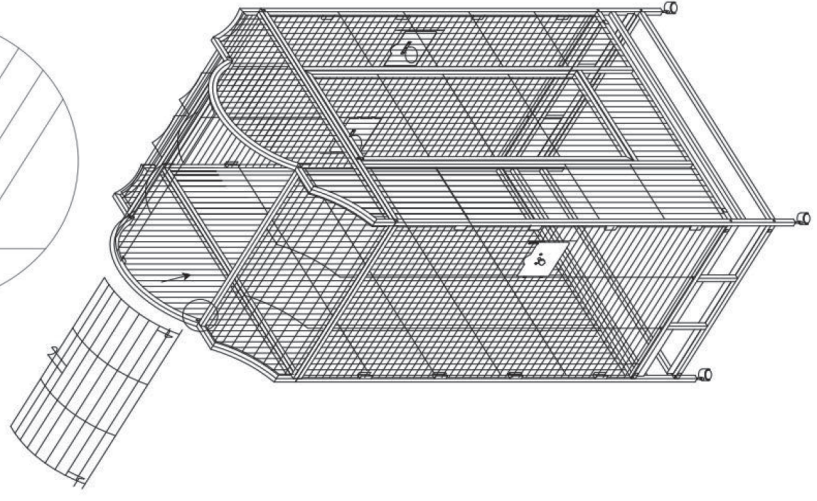
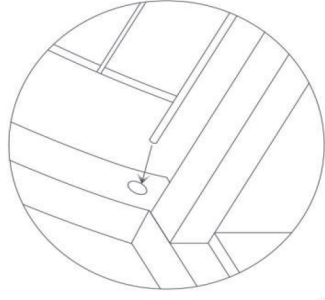


Step 4



G2*1

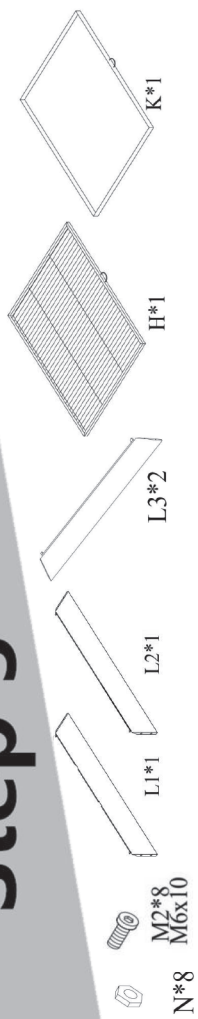
J*2



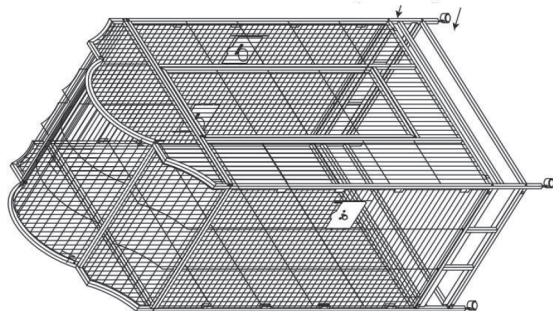
Connect 1 of J to A&B with inserting M1 into A and J, but loose M1 (no screw up), meanwhile insert axle of G1 into the hole of A&B, finally crew M1 up; Fix the other J and G2 onto A&B as the same step above.

to be continue...

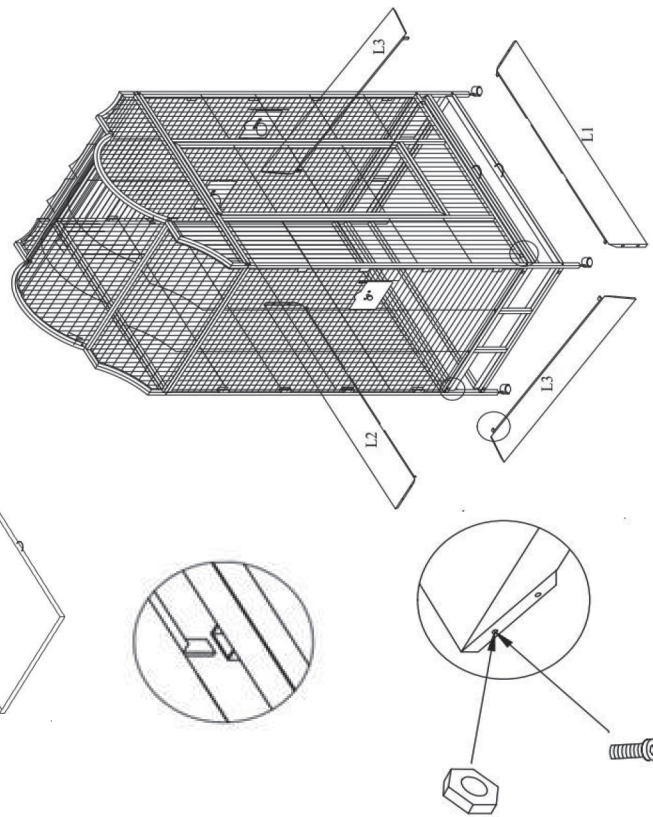
Step 5



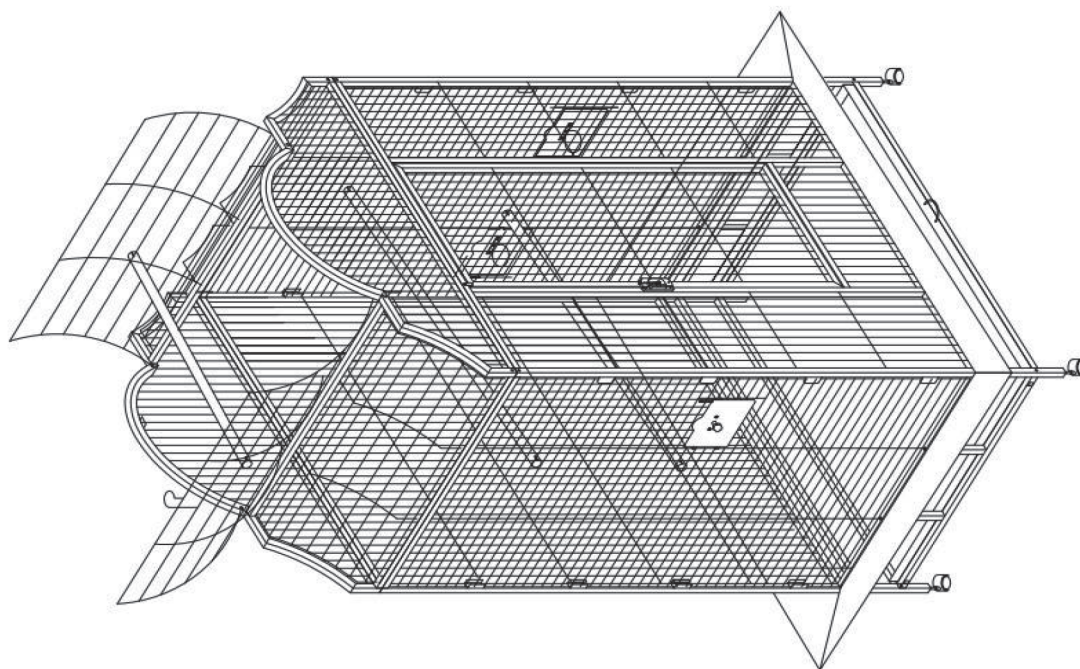
Insert H and K into the position (as arrow drawing)



Put two protruding parts of L1 & L3 into cage body's holes, then keep holes on border of L1 & L3 aline, meanwhile insert M2 into the holes, screw up with N on other side (as close-up); Connect the other pieces as the same step above.



Step 6



Finished cage!