



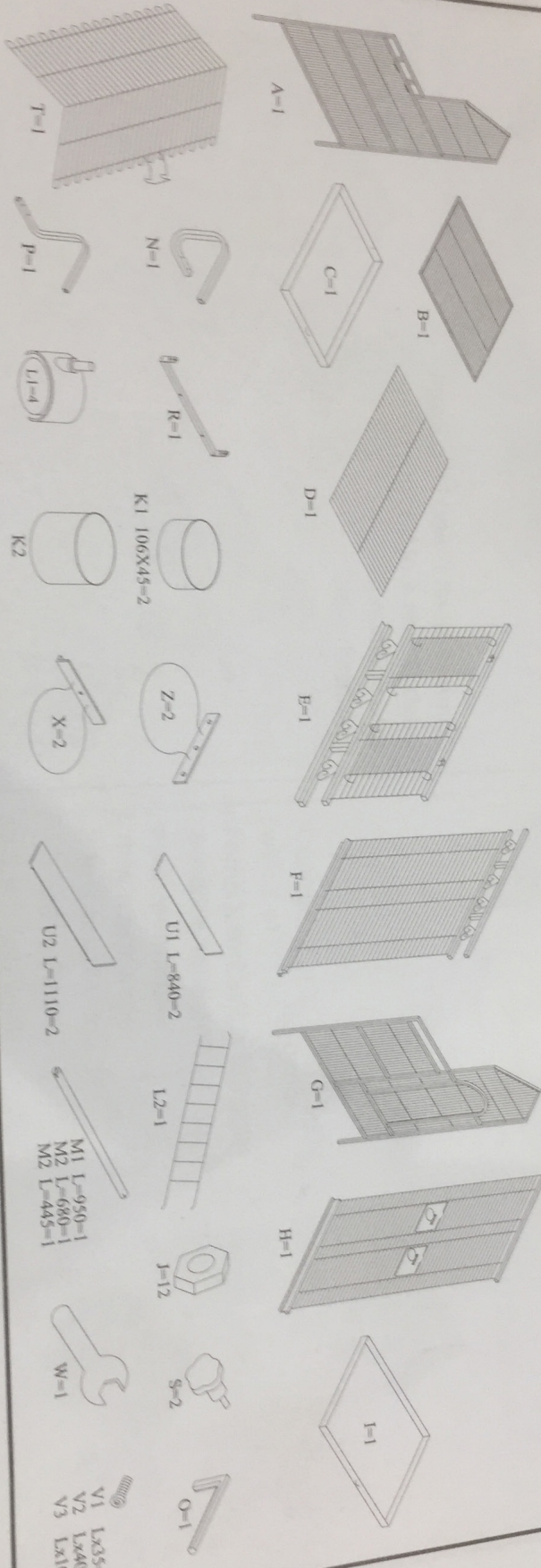
Liberta Angel



Liberta ANGEL Assembly Instructions

You should have:

All Assembly parts of ANGEL Cage Shown for your reference



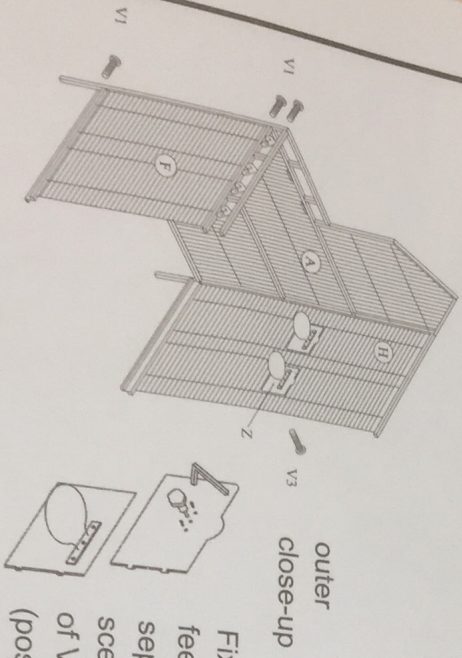
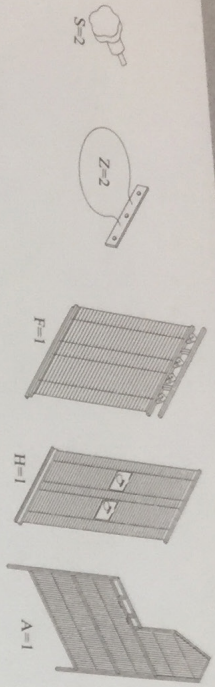
- A. back wire mesh
- B. bottom grill
- C. top metal tray
- D. top grill
- E. middle divider mesh
- F. left wire mesh
- G. front wire mesh
- H. right side mesh
- I. bottom tray
- N. right top frame
- P. left top frame
- R. Perch frame
- T. top mesh

- K1. steel cup (small one)
- K2. steel cup (big one)
- X. cup holder on top
- Z. cup holder on cage
- U1. length seed guard
- U2. short seed guard
- L1. wheel
- L2. ladder
- J. nut
- O. wrench
- M1. perch (L=95cm)
- M2. perch (L=68cm)
- M3. perch (L=44.5cm)

- S. handle
- V1. screw (L=35mm)
- V2. screw (L=40mm)
- V3. screw (L=10mm)
- W. hexagon wrench

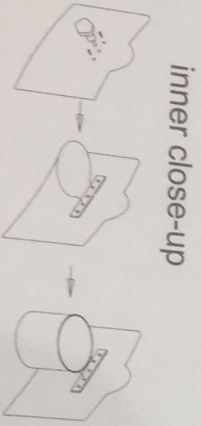
It is recommended that two people assemble this cage

Step 1

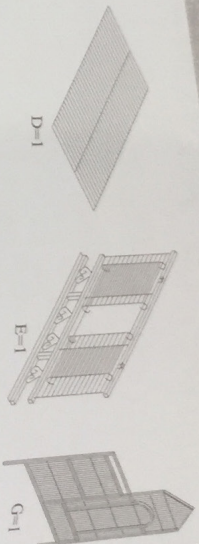


Connect mesh F and H to back mesh with 6 of V1

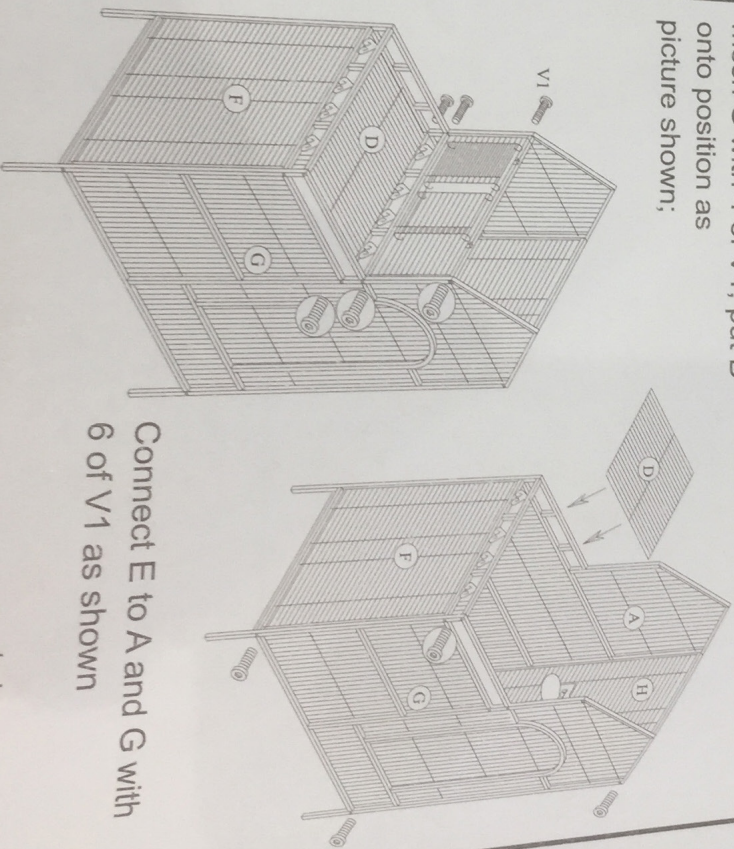
outer close-up
inner close-up
Fix 2 of Z onto the feeder door separately, then screw them with 4 of V3 and 2 of S (position as drawing). Put 2 of K2 on Z;



Step 2



Connect mesh F and H to Front mesh G with 4 of V1; put D onto position as picture shown;

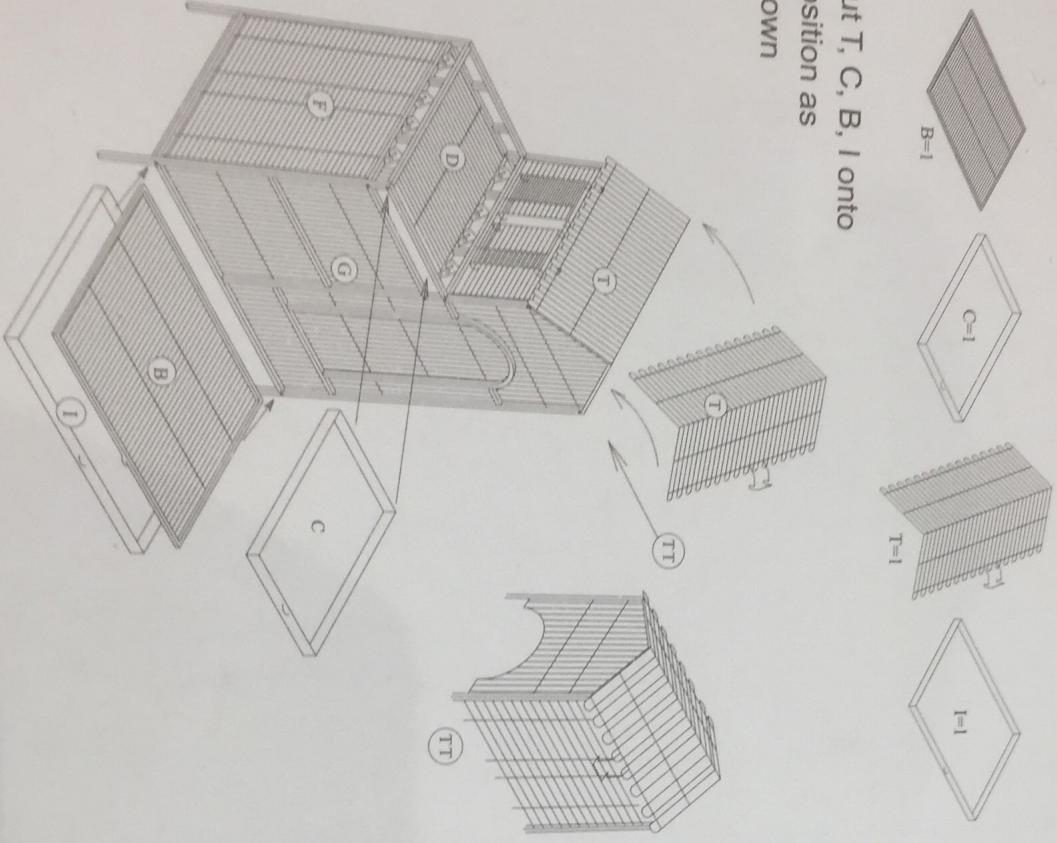


Connect E to A and G with 6 of V1 as shown

to be continue...

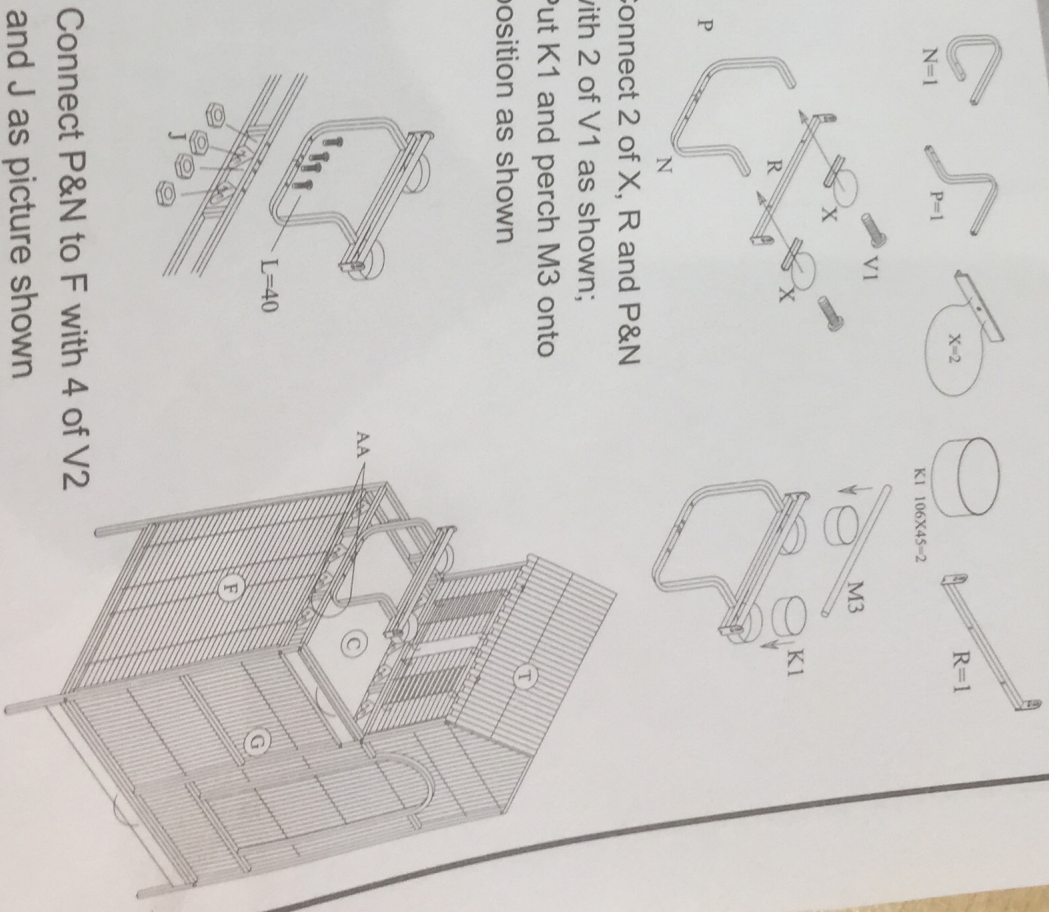
Step 3

Put T, C, B, I onto position as shown



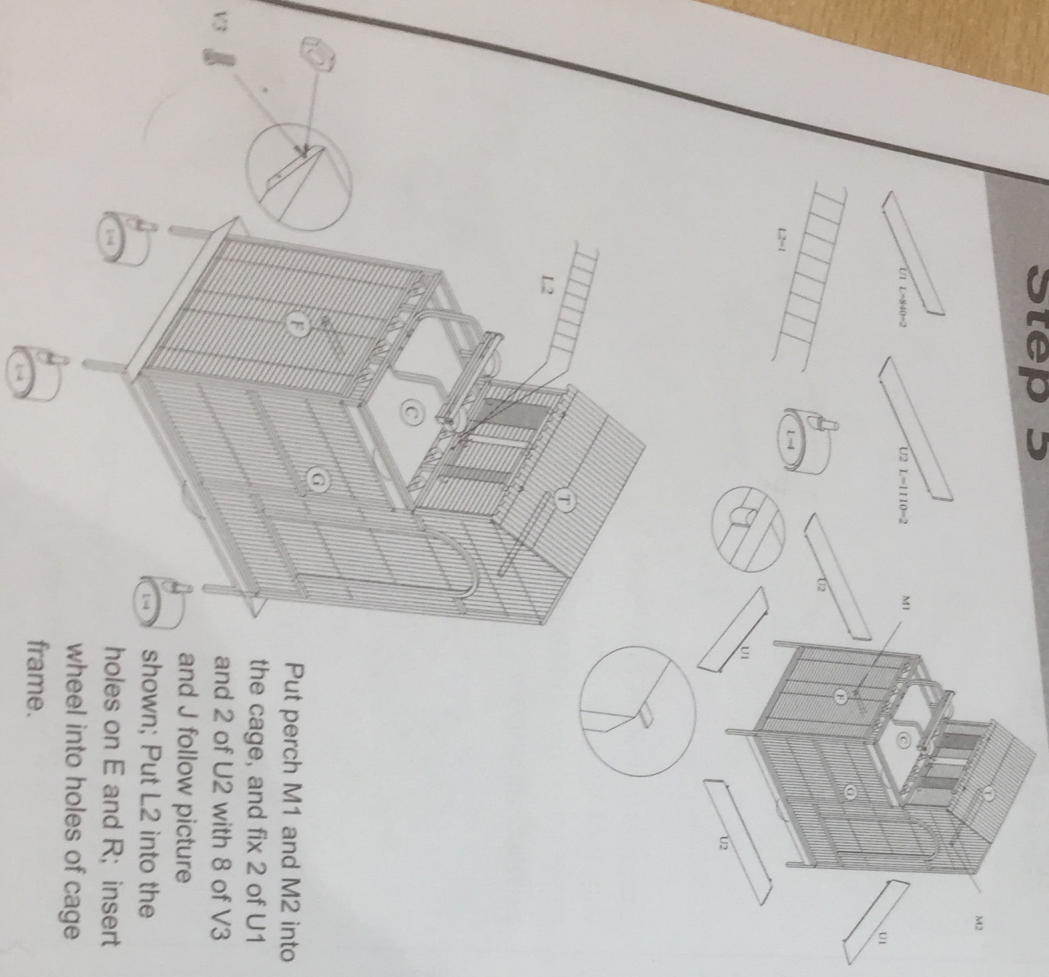
Step 4

Connect 2 of X, R and P&N with 2 of V1 as shown;
Put K1 and perch M3 onto position as shown

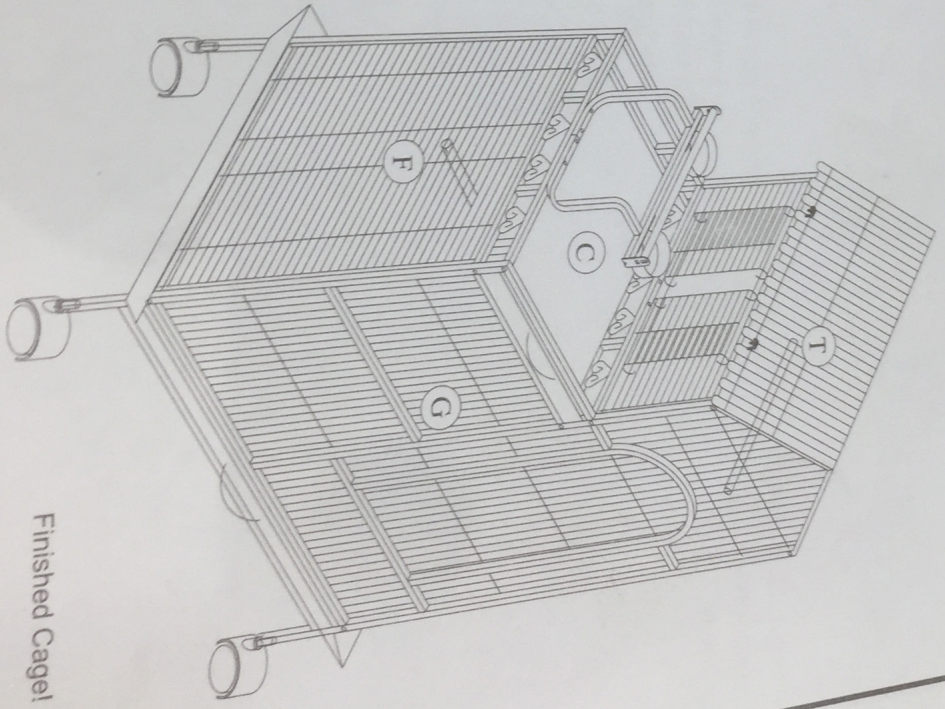


Connect P&N to F with 4 of V2 and J as picture shown

Step 5



Step 6



Finished Cage!