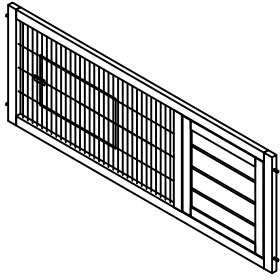
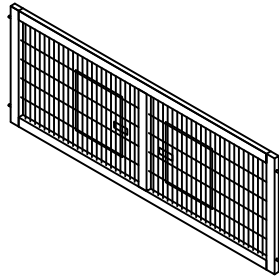


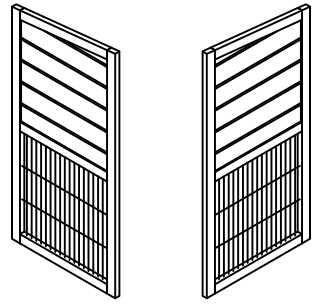
ASSEMBLY INSTRUCTIONS



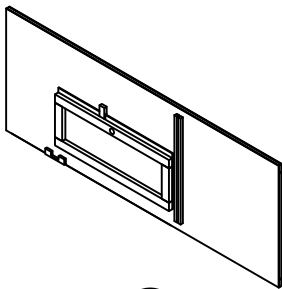
①



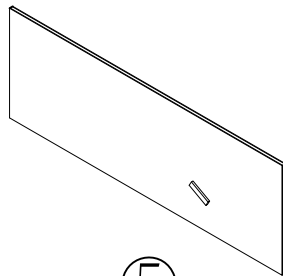
②



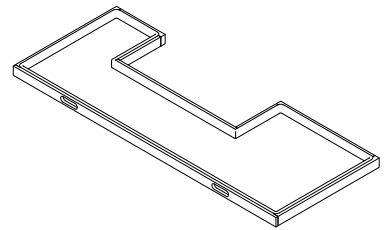
③



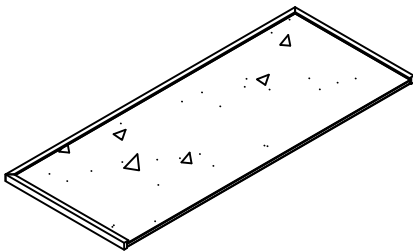
④



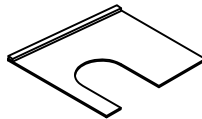
⑤



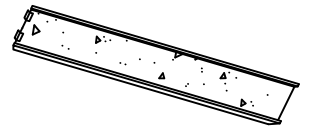
⑥



⑦



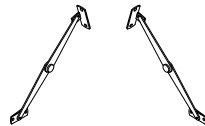
⑧



⑨



⑩



A

L\R

2PCS



B

M3.0*14

20PCS



C

M3.5*35

9PCS



D

M3.5*40

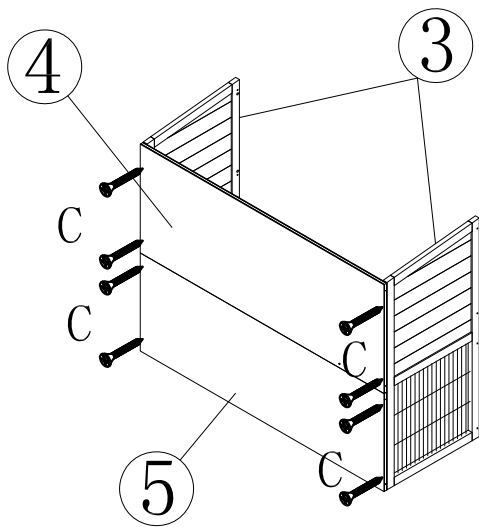
10PCS



E

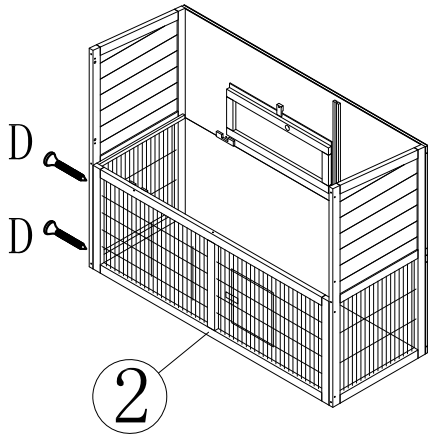
2PCS

C M3.5*35 8PCS



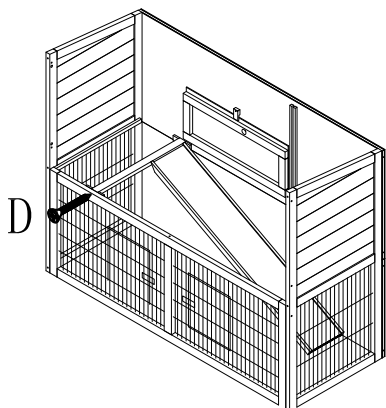
STEP 1

D M3.5*40 2PCS



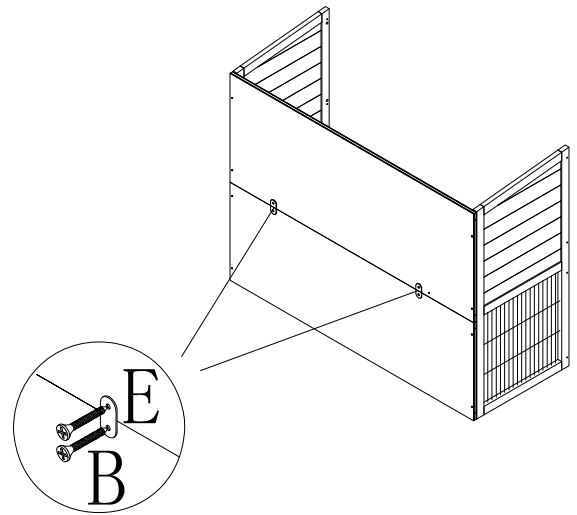
STEP 3

D M3.5*40 1PCS



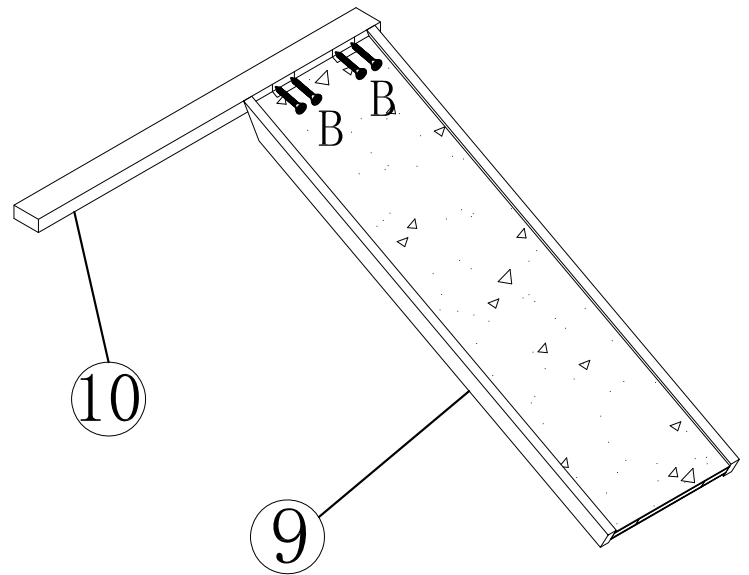
STEP 5

B M3.0*14 4PCS



STEP 2

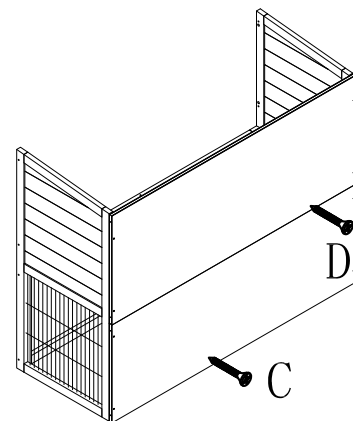
B M3.0*14 4PCS



STEP 4

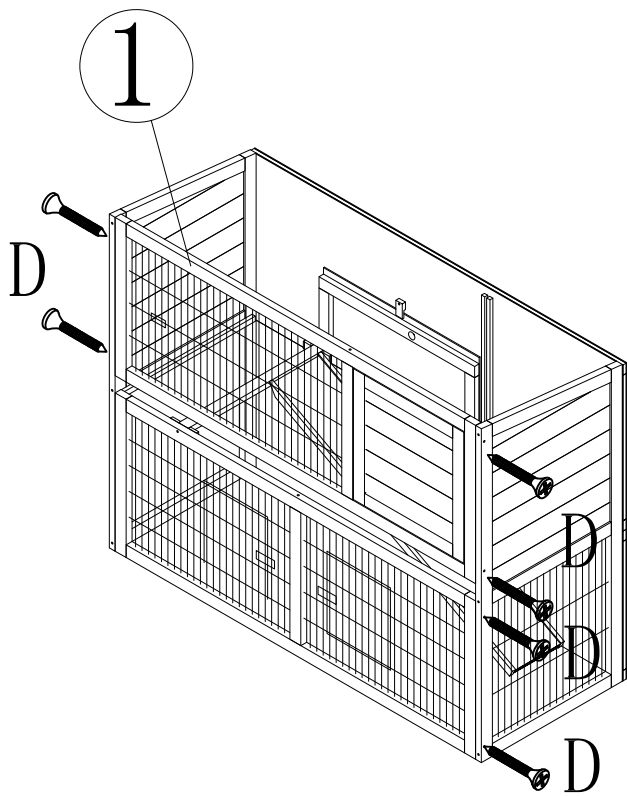
C M3.5*35 1PCS

D M3.5*40 1PCS

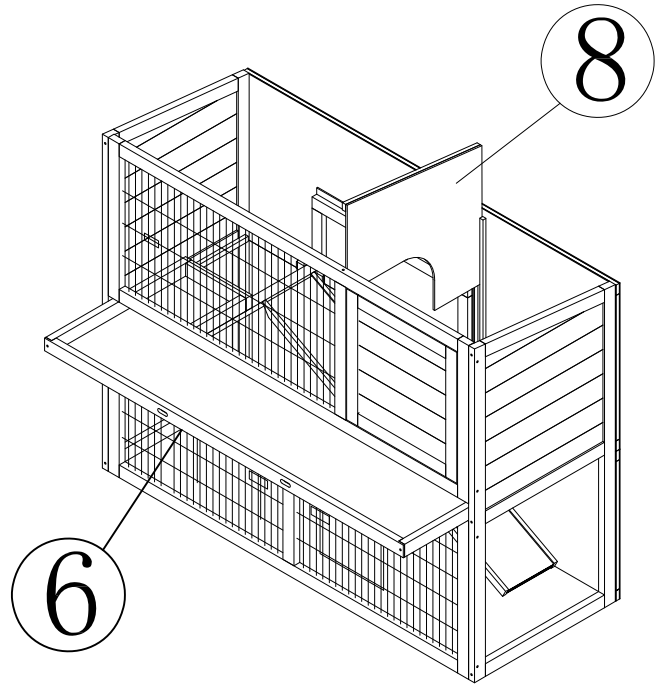


STEP 6

D M3.5*35 6PCS

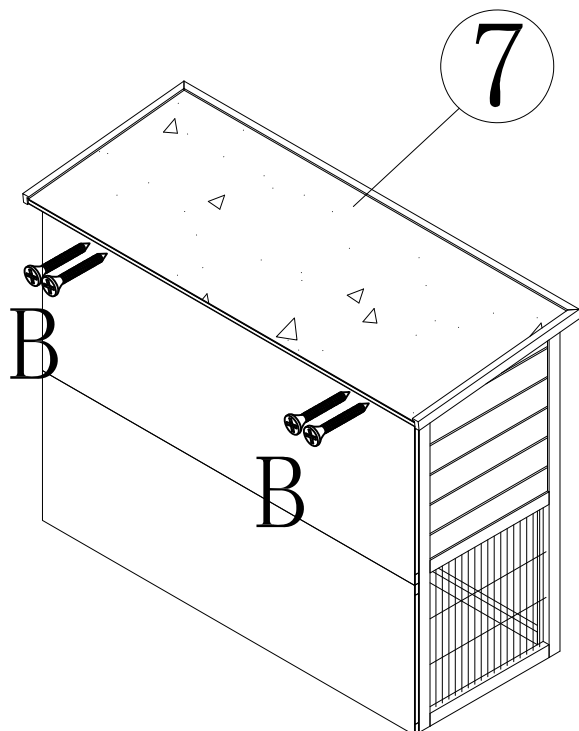


STEP 7



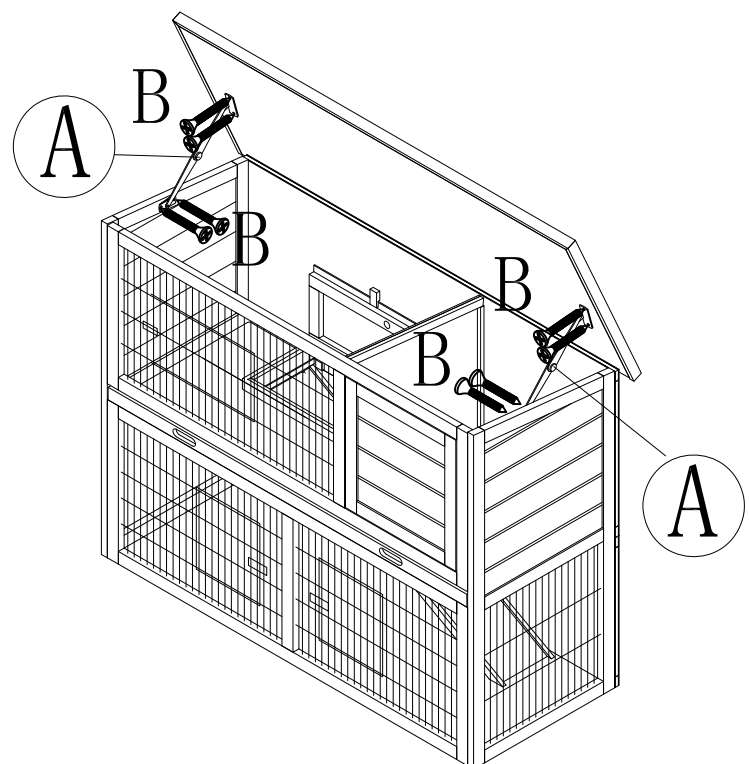
STEP 8

B M3.0*14 4PCS



STEP 9

B M3.0*14 8PCS



STEP 10