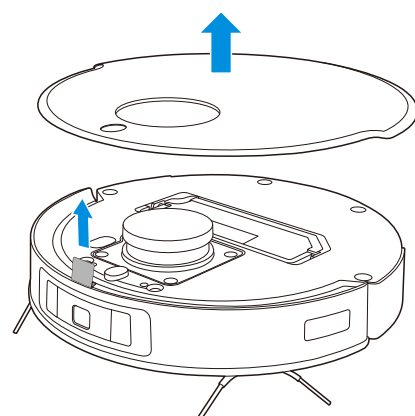


ECOVACS | DEEBOT T20 OMNI Quick Start Guide

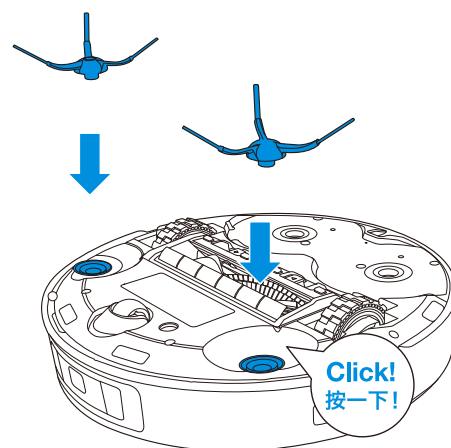
1 Remove Protectors 移除保護物

Please remove all protective materials before use.
使用前請先移除所有保護材料。



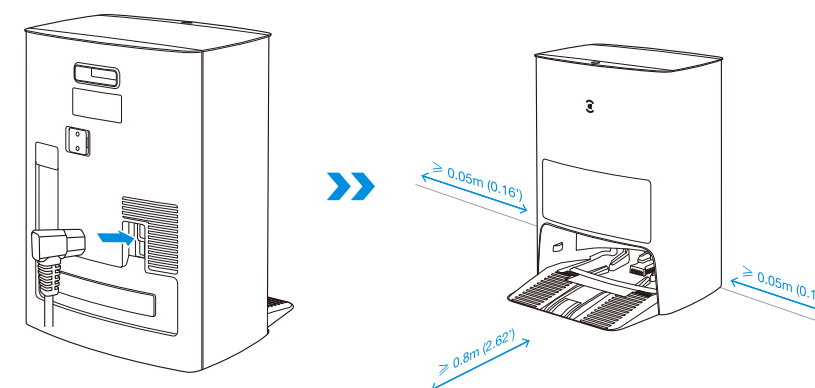
2 Install Dual Side Brushes 安裝雙邊清潔刷

Make sure the colors of Dual Side Brushes are consistent with those of mounting slots.
請確定雙邊清潔刷的顏色與安裝插槽的顏色相同。



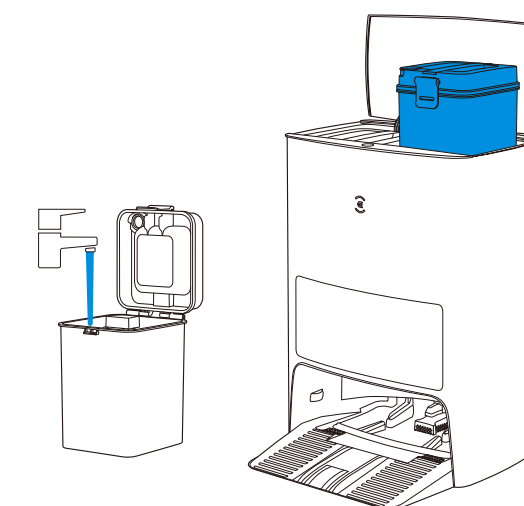
3 Assemble the OMNI Station OMNI全能基座

It is recommended to place the Station on the hard floor to experience complete functions of the robot.
建議將基座放在硬質地板上，以體驗機器人的完整功能。



4 Add Water to Clean Water Tank 將水注入清水箱

Note: The water drops in the Water Tank are left over from the function test, please rest assured to use.
備註: 水箱中的水滴是功能測試時遺留下來的，請放心使用。



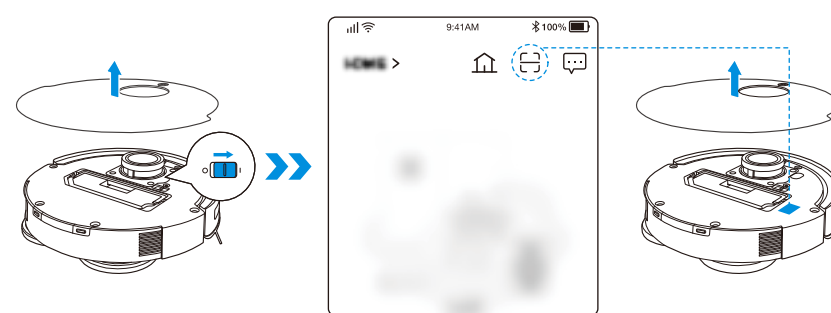
5 Download App 下載App

Scan the QR Code to download ECOVACS HOME App.
掃描QR碼即可下載ECOVACS HOME App。



6 Connect DEEBOT with App 將 DEEBOT 與 App 連線

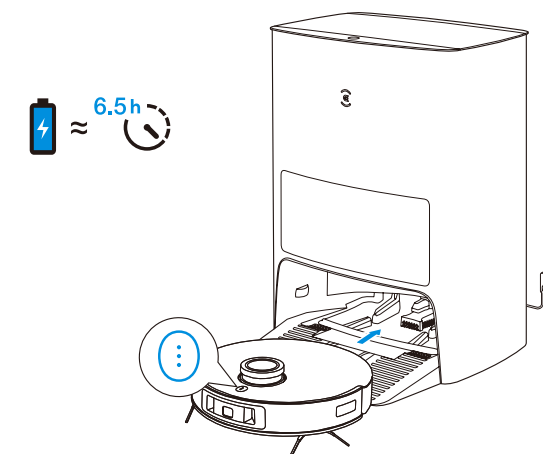
Power on. Open the App. Scan the QR code under the cover to add your robot via the App.
開啟電源。開啟 App。掃描護蓋下方的 QR 碼，透過 App 新增機器人。



Note: Please use a 2.4GHz or 2.4/5GHz mixed network.
備註: 請使用 2.4GHz 或 2.4/5GHz 混合式網路。

7 Charging 充電

Make sure that the OMNI Station is connected to the power. Press and hold the **ⓘ** button for 3 seconds, DEEBOT will enter the OMNI Station and start charging.
請確定 OMNI 全能基座已連接電源。按住 ⓘ 按鈕3秒，DEEBOT 將進入 OMNI 全能基座，並開始充電。



Note: Do not install the Mopping Pad Plates for the first time cleaning. Vacuum Mode is recommended for a quick mapping.
備註: 第一次清掃時，請勿安裝拖地布板。建議使用吸塵模式以快速繪製地圖。

Need Help? 需要協助嗎?

**Save the trouble for return.
Contact us, we are here to help!**
省掉退貨的麻煩。
與我們連絡，我們非常樂意提供協助!



Contact our Customer Service Team
聯絡我們的客戶服務團隊
www.ecovacs.com/global/support/contact-us

WELCOME to the ECOVACS family!
歡迎加入 ECOVACS 家族!

Follow Us
追蹤我們



Control Panel Button 控制面板按鈕

Short press:
短按:
to start/pause/resume cleaning
啟動/暫停/恢復清掃



Press for 5 seconds:
按住 5 秒鐘:
to add water to or drain the water out
of Cleaning Sink
將水加到清潔水槽中或將水排出