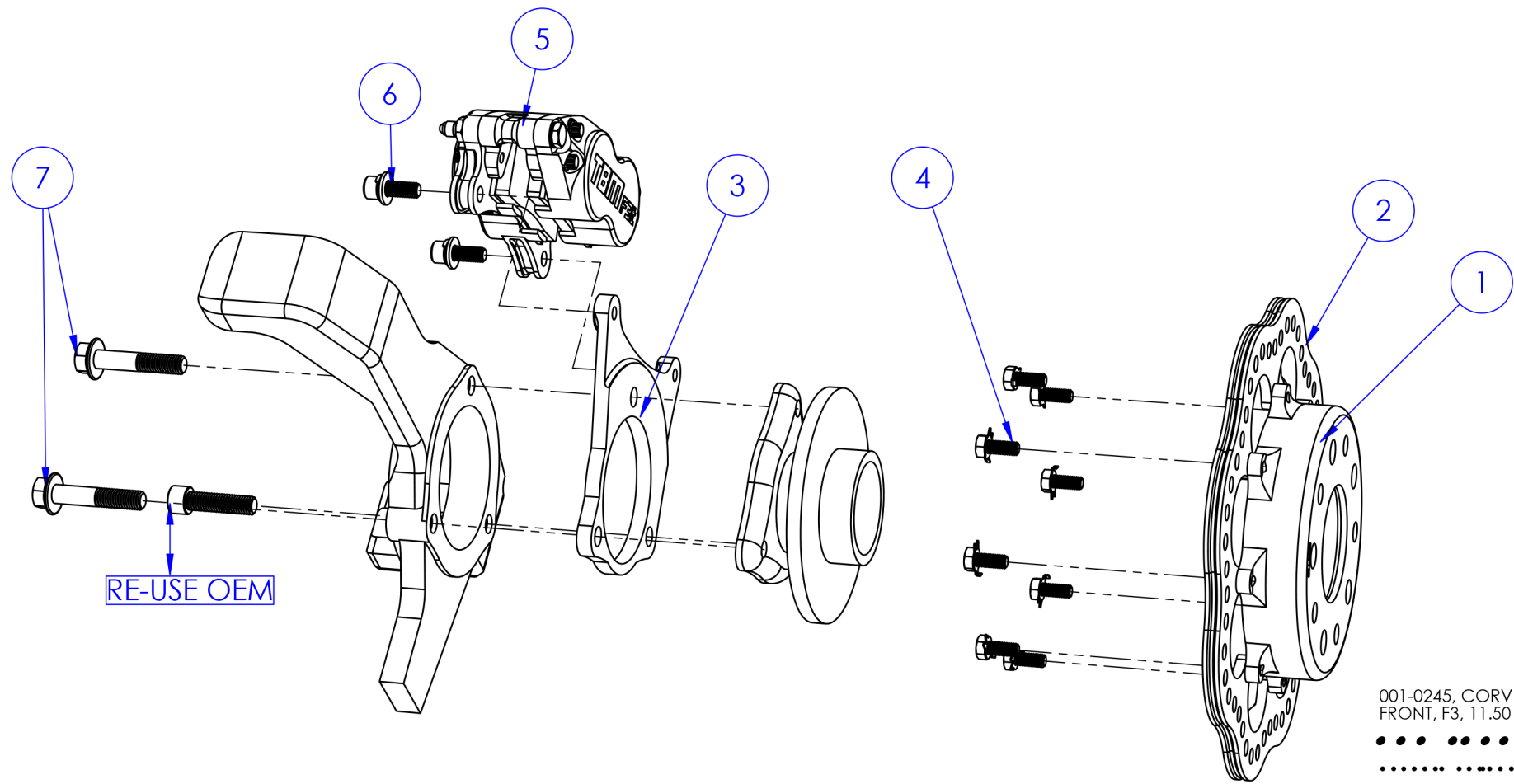


ITEM NO.	PART NUMBER	DESCRIPTION	QTY.
1	204-0209 97-13 C5/C6 CORVETTE DRAG HAT	HAT, 1.25" DEEP, 5 ON 4.75 BC, 8 ON 7.	1
2	3-1150375D REVOLUTION ROTOR	ROTOR, .375 DRAG, STEEL	1
3	16-0243 CALIPER BRACKET	BRACKET, CORVETTE C5-C6, F3, 11.50(-1 LH, -2 RH)	1
4	.3125-18 HEX BOLT, TABBED LOCKWASHER ASSY	5/16"-18 X .75 HEX BOLT AND LOCKWASHER ASSEMBLY, 8 PER BAG	8
5	002-0056SSP	CALIPER, F3, 5.25" MOUNT, 1.75 BORE, .375" ROTOR.	1
6	11-B9851, 11-B9913, 11-B9879	3/8-16 X 1.0" SHCS, 3/8 LOCK WASHER, 3/8 FLAT WASHER	2
7	11-B9774	M12-1.75 X 60MM FLANGE HEX BOLT	1

*INCREASES TRACKWIDTH BY ABOUT 0.375" PER SIDE.



001-0245, CORVETTE C6
FRONT, F3, 11.50 RTR.

