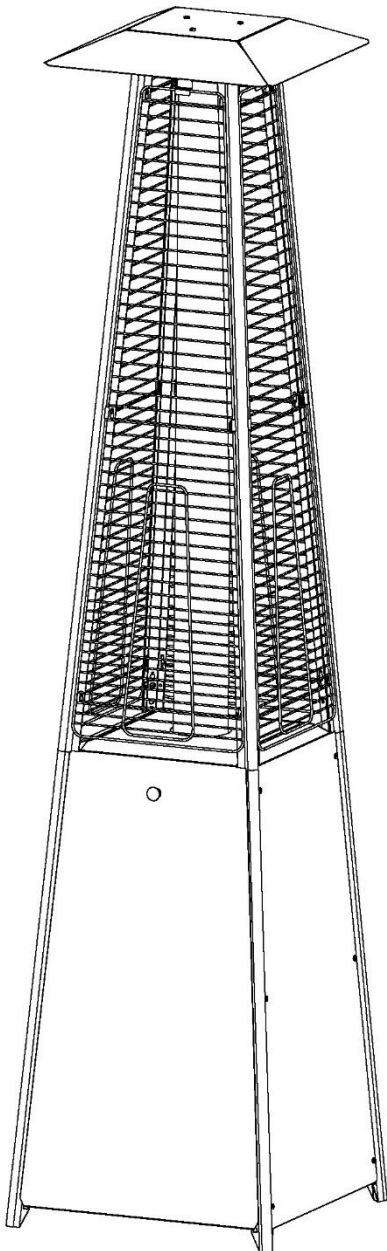




Tahiti - II Flame Heater

FH1000 Series ASSEMBLY INSTRUCTIONS



WARNING

HAZARDOUS FIRE OR EXPLOSION MAY RESULT IF INSTRUCTIONS ARE IGNORED

It is the consumer's responsibility to see that the patio heater is properly assembled, installed, and taken care of. Failure to follow instructions in this manual could result in bodily injury and/or property damage.

PRECAUTIONS

- Leak test all connections after each bottle refill
- Never check for leaks with a match or open flame
- Do not store or use gasoline or other flammable vapors and liquids in the vicinity of this or any other appliance
- Any LPG bottle not connected for use shall not be stored in the vicinity of this or any other appliance

FOR YOUR SAFETY IF YOU SMELL GAS:

- Turn off gas supply at bottle
- Extinguish all naked flames; do not operate any electrical appliances
- Ventilate the area
- Check for leaks as detailed in this manual
- If odor persists, contact your dealer or gas supplier immediately

FOR OUTDOOR USE ONLY

PLEASE READ INSTRUCTIONS CAREFULLY BEFORE ASSEMBLY

RETAIN THIS MANUAL FOR FUTURE REFERENCE

TECHNICAL SPECIFICATIONS

Item Name:	Gas flame heater	Model Number	FH1000 Series
Heat Output	13.2 kW	CE Certificate NO.	ITS-2575-GAR-2129061
PIN	2575DM29061	Series NO.	202105
Country of destination	category	pressure	
CZ, DK, EE, FI, IS, NL, NO, SE, LT, LV, SI, SK, CY, MT:	I3B/P(30)	Butane: 30mbar	
BE, ES, FR, GB, GR, IE, LU, IT, PT, CH :	I ₃₊	Butane: 28-30mbar Propane: 37mbar	
AT, DE:	I2BP(50)	Butane: 50mbar	
PL	I _{3P}	Butane: 37mbar	

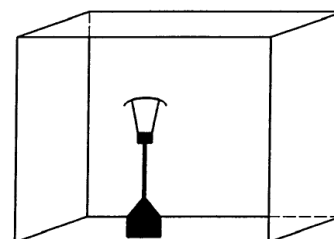
PRECAUTION

Warning:

- The use of this appliance in enclosed areas can be dangerous and is **PROHIBITED** .
- Using this product in an enclosed area may cause injury, death or property damage.
- Read the instructions before using this appliance. This appliance must be installed in accordance with instructions and local regulations

Warning:

- 1) For use outdoors or in amply ventilated areas
- 2) An amply ventilated area must have a minimum of 25 % of the surface area open.
- 3) The surface area is the sum of the walls surface.”



- Do not use the heater in an explosive atmosphere.
- Keep the heater away from areas where gasoline or other flammable liquids or vapours are stored.
- Prior to use, check for damaged parts such as hoses, regulators, pilot or burner.
- Do not move the heater when in operation.
- Shut off the valve at the gas cylinder of the regulator before moving the appliance.
- Disconnect LPG bottle before moving the heater.
- Do not attempt to alter unit in any manner.
Example: Using the heater without the top canopy reflector or radiant screen.
- The appliance shall not be used in basements or above ground level.
- It must always be placed on a solid and level surface.
- Always ensure there is ample fresh air ventilation.
- Never replace or substitute the regulator with any regulator other than the factory suggested replacement.
- Do not clean the heater with cleaners that are combustible or corrosive.
- Do not paint radiant screen, control panel or top canopy reflector.
- All leak tests should be done with a soapy solution. NEVER USE AN OPEN FLAME TO CHECK FOR LEAKS.

- The LP Gas Bottle Valve or the Regulator should be turned off when the heater is NOT in use.
- Do not use when it is raining, always be carefully not let any liquid splash to the glass tube when the heater is working.
- Keep the children away from the heater, always be carefully not to knock over the heater, which will break the glass tube and might cause injury.
- The following clearance distances are required for safe operation when using this heater. It is important that you keep these distances away from combustible materials:
Minimum clearance to adjacent combustibles: From top: 61cm, from sides: 60cm
- **At least once a year, the unit should be inspected for spiders, spider webs or other insects. Such infestations are not covered under the warranty conditions for this heater.**

Check the heater immediately if any of the following exists:

1. The smell of gas.
 2. The heater does not reach temperature.
 3. The burner makes popping noise during use (a slight popping noise is normal when the burner is extinguished after use).
- If you smell gas, turn off the valve immediately. If smell persists, contact the dealer or gas supplier immediately.
 - The propane hose with regulator assembly shall be located out of pathway where people may trip over it or in areas where the hose will not be subject to accidental damage.
 - Children and adults should be aware of the high surface temperature hazard, and should keep a safe distance away to avoid clothes burning or igniting.
 - Young children should be carefully supervised when they are in the area of the heater.
 - Clothing or other flammable material should not be hung from the heater, or placed on or near the heater.
 - Any guard or other protective device removed for servicing the heater must be replaced prior to operating the heater.
 - Installation and repair should be carried out by a qualified service person. The heater should be inspected before use and cleaning may be required at least once a year, or as necessary. It is imperative that control compartment, burner and circulating air passageways of the heater be kept clean.
 - Keep the appliance area clear of combustible materials such as gasoline and other flammable vapors and liquids.
 - Do not obstruct the flow of combustion and ventilation air,
 - Do not obstruct the ventilation holes of the cylinder housing.
 - Keep the ventilation opening of the bottle enclosure free and clear of debris. At least once a year, the unit should be inspected for spiders, spider webs or other insects,

NOTE: PLEASE READ THE FOLLOWING SAFETY RULES

When changing the bottle, the appliance must be in a amply ventilated area, must be away from any ignition source (candle, cigarettes, other flame producing appliances...),
Avoid twisting the flexible tubing while using. NEVER use the appliance near a fire hazard.

Warning: The appliance must ONLY be used for outdoor use.

Warning: The installation of fixed appliances shall only be carried out by competent persons and be in accordance with the relevant Codes of practice. Regularly check the gas hose and if necessary, replace the gas hose.

Warning: This appliance requires a regulator. Check with your gas supplier.

FOR YOUR SAFETY

If you smell gas:

Shut off the gas to appliance.

Extinguish any open flame.

If odour continues, immediately call a gas supplier or engineer.

Combustible materials are considered to be wood, compressed paper, plant fibers, plastic, Plexiglas or other materials capable of being ignited and burned. Such materials shall be considered combustible even though flame proofed, fire-retardant treated or plastered. Additional clearance may be required for glass, painted surfaces and other materials which may be damaged by radiant or convection heat.

The hose assembly should be properly located out of pathways where people may trip over it. The hose must be protected from contact with hot or sharp surfaces both during use and while in storage. The hose assembly should be visually inspected prior to each use of the heater. If excessive abrasion or wear is evident, or the hose is cut, it must be replaced prior to operating the heater. The replacement hose assembly may be obtained from the manufacturer.

DO NOT use any pressure regulator or hose assembly other than those supplied with the appliance or provided by your gas supplier. Replacement pressure regulator and hose assembly must be those specified. Replacement parts may be obtained from the manufacturer or your local sales representative. The valve outlet must be maintained in good condition. When the bottle is not in use, be sure to cover it with a dust cap. A leak test should be performed with soapy water whenever connecting a new bottle. NEVER use a match to test for leaks.

The propane bottle must be turned off whenever the heater is not in use. When the heater is to be stored indoors, the propane bottle and the heater must be disconnected and the bottle stored in accordance with the Standard for Storage and Handling of Liquefied Gases. (i.e.: Not indoors, but in a dry and well ventilated area.)

The patio heater has been designed with several safety features which include a tip over switch.

Any modification to the heater not described in the installation instructions may compromise the safety of this appliance. Special concern is as follows:

- (1) **DO NOT** shorten post length;
- (2) **DO NOT** bypass thermocouple safety;
- (3) **DO NOT** operate heater without a reflector;

Clothing or other flammable materials should not be hung from the heater, or placed on or near the heater. The area above the post may be extremely hot. Direct contact with these metal surfaces should be avoided in order to prevent burns or clothing ignition.

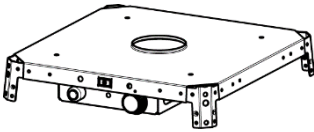

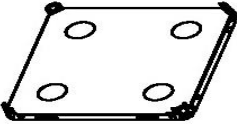
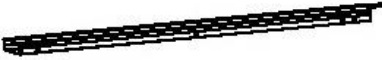

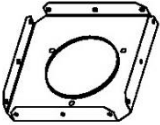
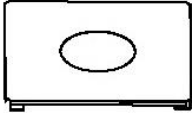
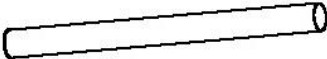
INSTALLATION

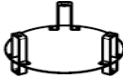
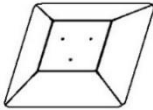




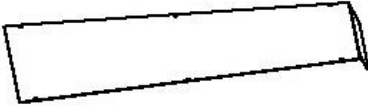

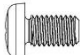


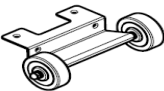
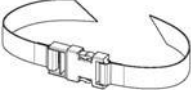
Important Safety Rules:

This appliance is for OUTDOOR USE ONLY

1. This appliance shall not be installed or used indoors, in buildings, garages or any other enclosed area.
2. DO NOT place articles on or against this appliance.
3. DO NOT use or store flammable materials near this appliance.
4. Children and adults should be alerted to the hazards of high surface temperatures, burns and clothing ignition.
5. Children should be carefully supervised when they are in the area of the appliance.
6. NEVER hang anything including clothes or other flammable items on the appliance.
7. DO NOT operate this appliance unless it is fully assembled with reflector in place.
8. DO NOT SPRAY AEROSOLS IN THE VICINITY OF THIS APPLIANCE WHILE IT IS IN OPERATION.
9. Installation and repair should be done by a qualified service person. The appliance must be inspected before use and at least annually by a qualified service person. More frequent cleaning may be required as necessary. It is imperative that control compartment, burners and circulating air passages of the heater be kept clean.
10. In case of violent wind particular attention must be taken against tilting of the appliance

PARTS LIST-1

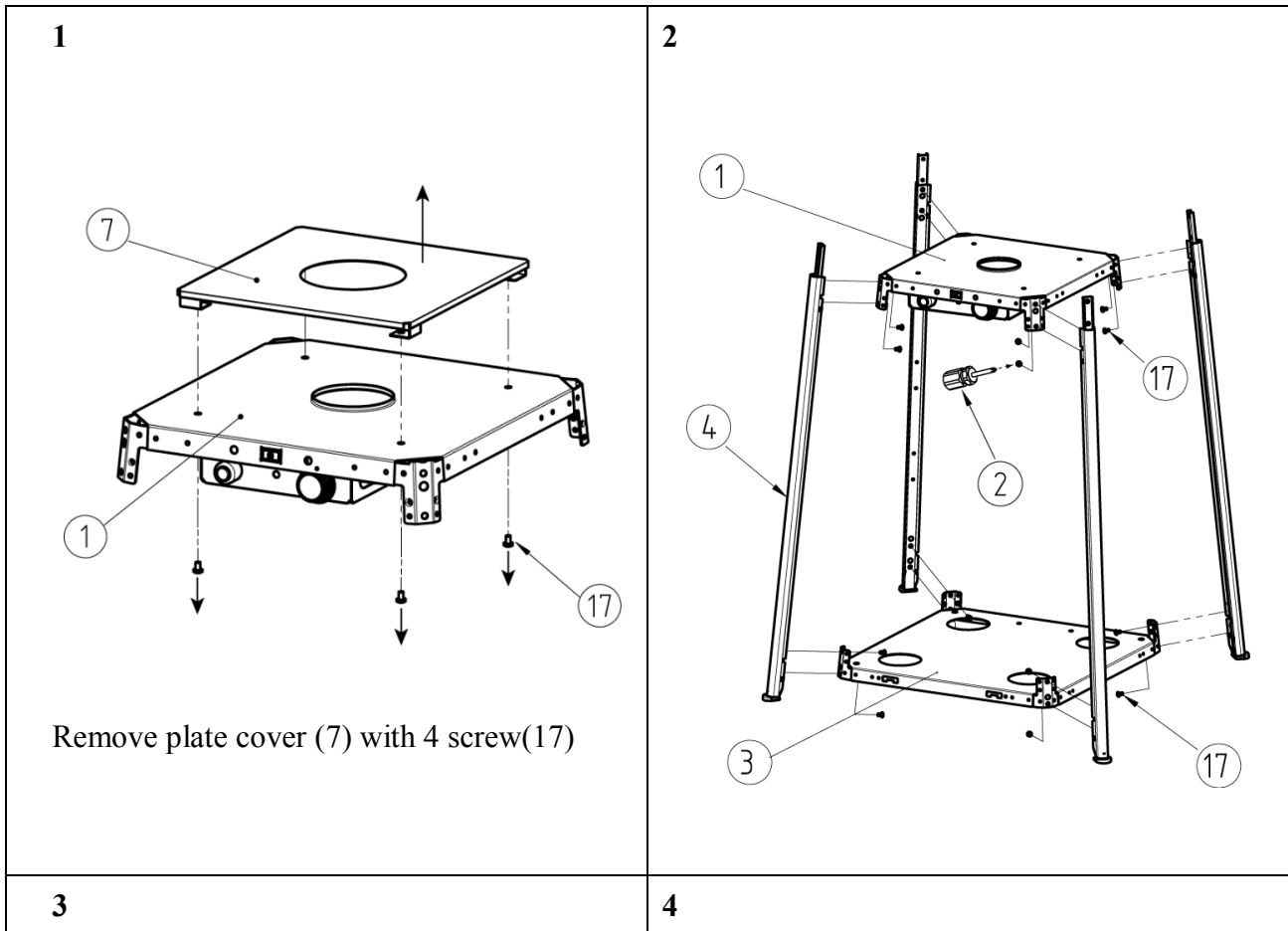
Part NO.	Part Name	QTY	Picture	Remarks
1	Middle Plate	1		
2	Screwdriver	1		
3	Bottom Plate	1		
4	Lower Support	4		
5	Upper support	4		
6	Upper Plate	1		
7	Plate cover	1		Preassembled in the Middle plate
8	Glass tube	1		

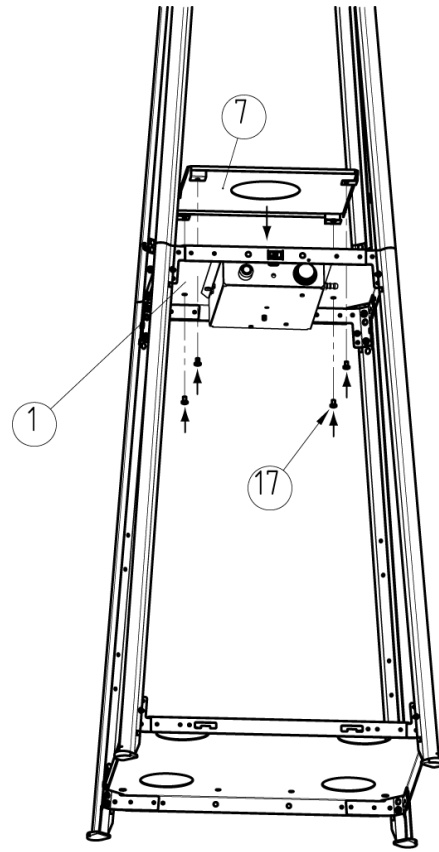
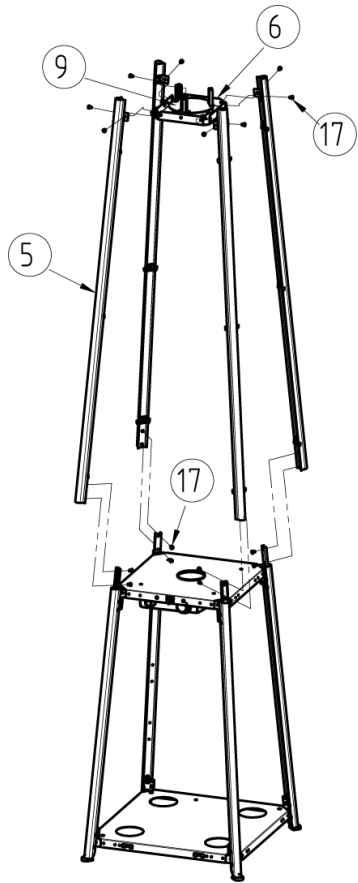
Part NO.	Part Name	QTY	Picture	Remarks
9	Damper	1		Preassembled in upper plate
10	Reflector	1		
11	Lower protection guard	4		
12	Match clip	1		
13	Upper protection guard	4		
14	Fixing bracket	4		
15	Side panel	3		
16	Door panel	1		A chain is preassembled in this panel
17	Screw M5x8	54		
18	Knob	1		
19	Chain	1		Preassembled in the door panel
20	Wheel kit	1		Optional part
21	Bottle belt	2		Optional part

HEATER ASSEMBLY

Tools Required:

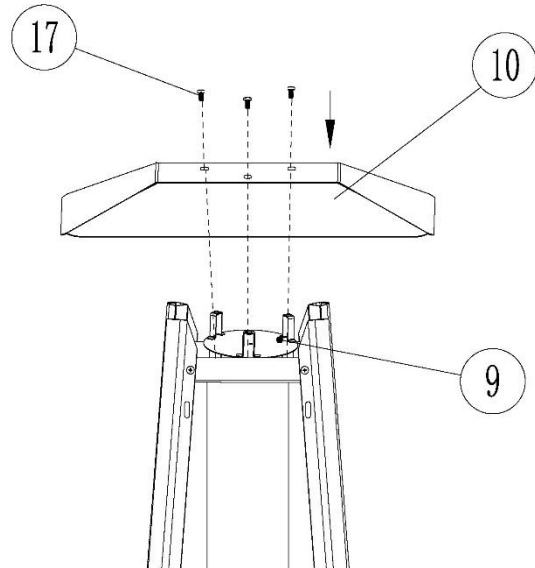
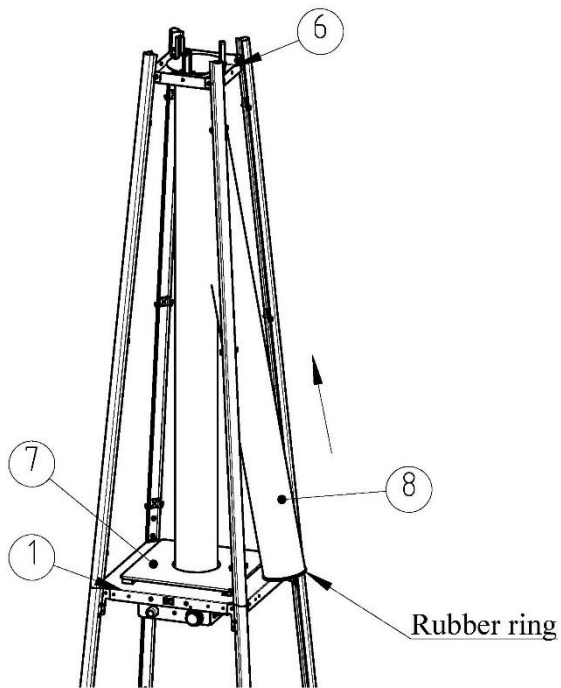
1 Phillips head screwdriver, 1 adjustable spanner



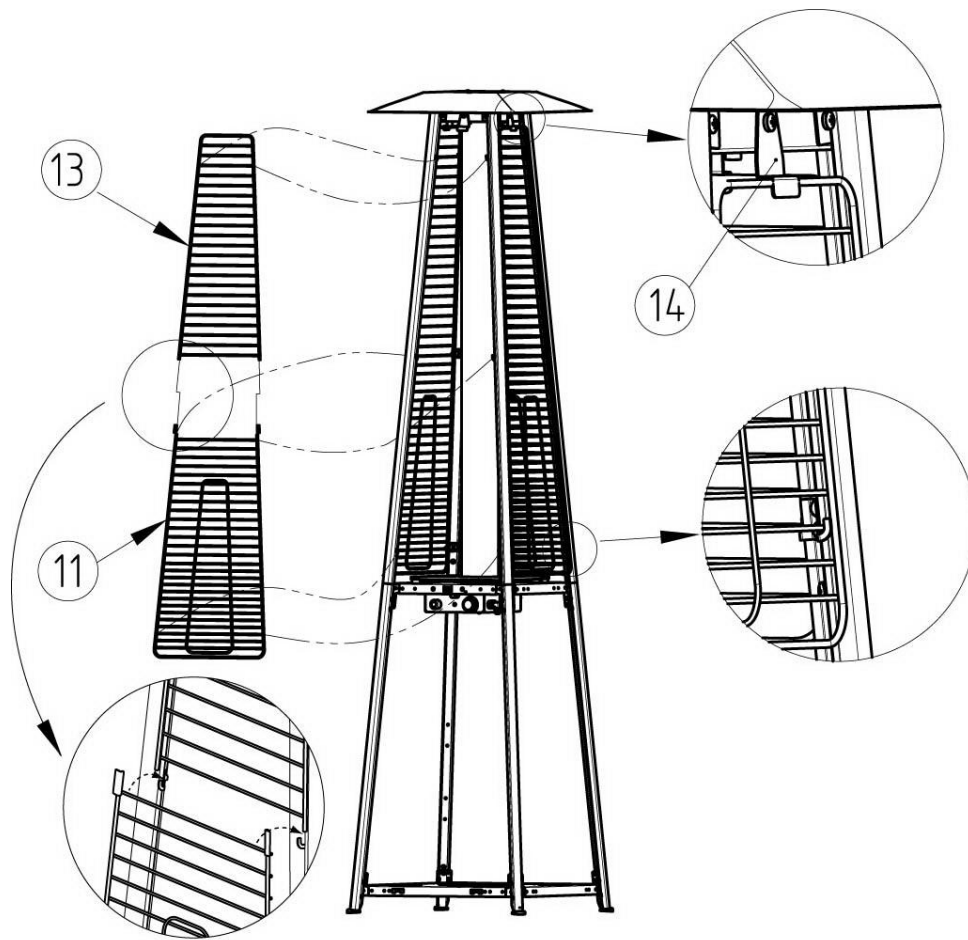


5

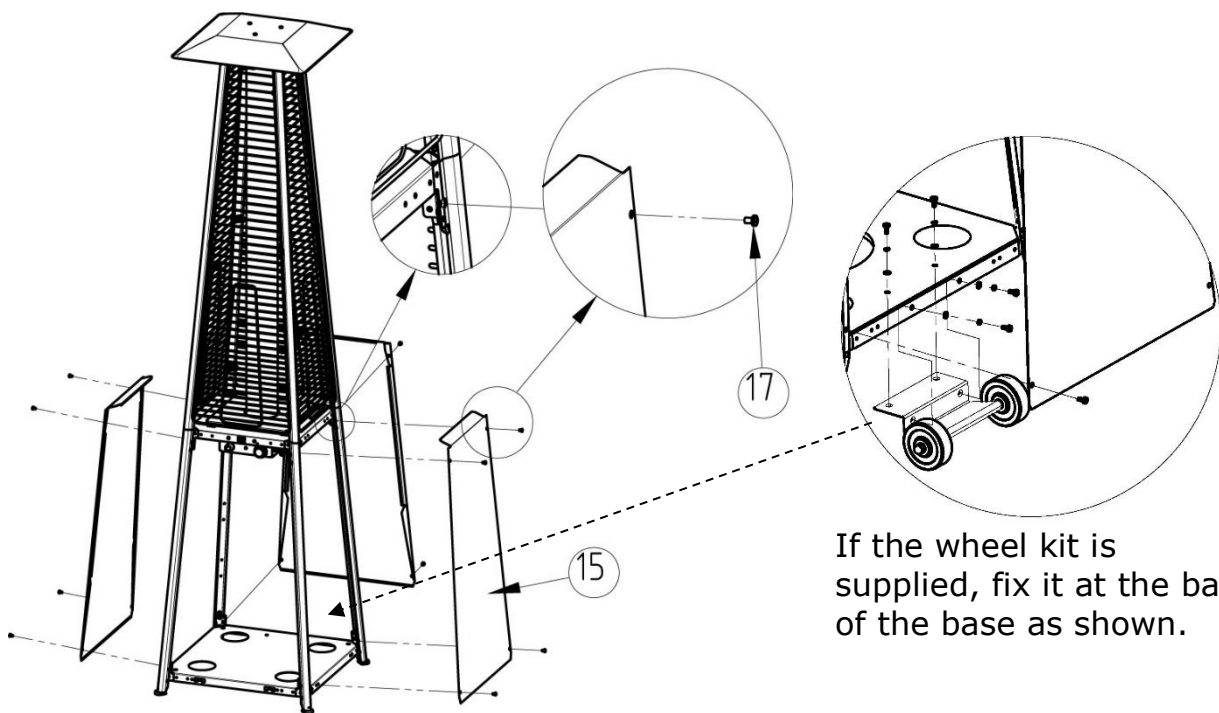
6



7

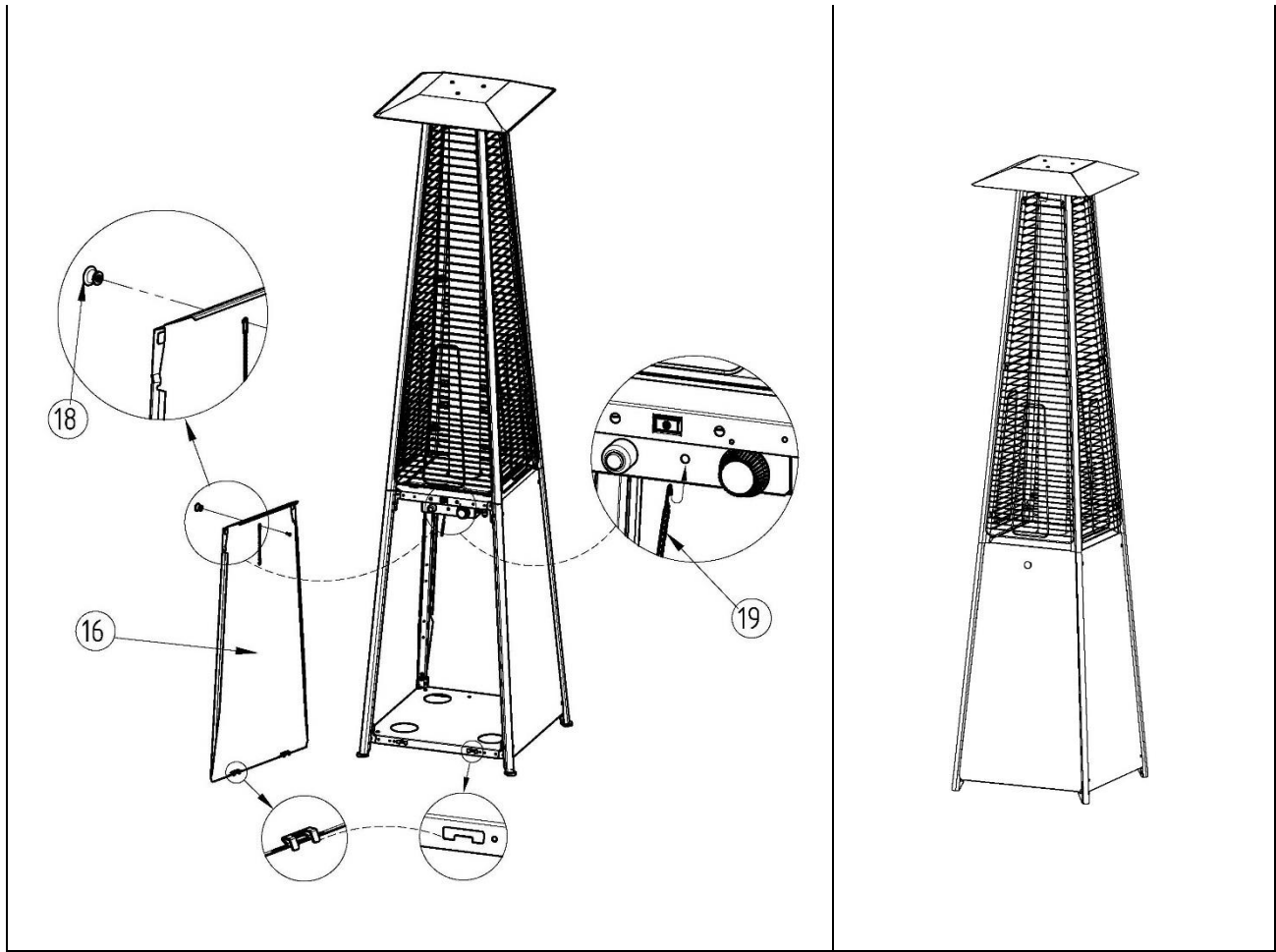


8



If the wheel kit is supplied, fix it at the back of the base as shown.

9

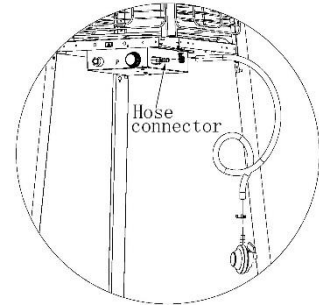


OPERATION

Preparation:

You will need to purchase a propane gas bottle designed to be used with the regulator purchased or supplied. For correct operation of the gas system follow the instructions supplied with the regulator supplied or purchased.

Connect the hose to the hose connector in the control box



Warning:

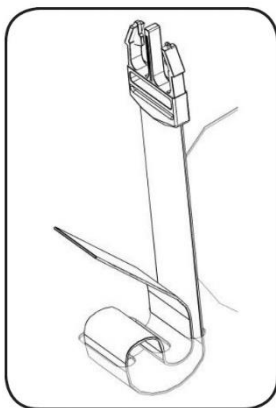
- Always test the hose for leaks with soapy water at the end of all connections.
- The hose used for this heater must comply with standard EN16436-1 Class 2, and the hose must not be longer than 1.5m

Warning:

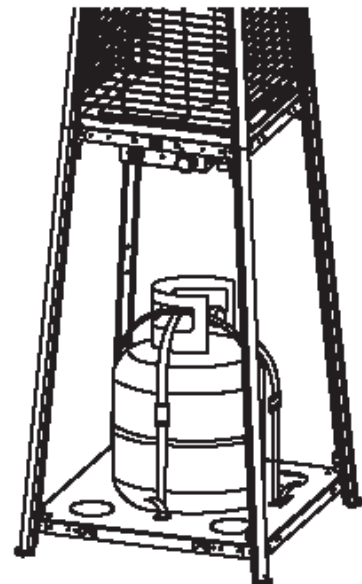
- Never use the heater while it is raining, the glass tube could break when it suddenly meets water.
- Always turn the heater OFF if it starts to rain.
- Never splash any liquid onto the glass tube when the heater is working
- The glass tube will be extremely hot whilst it is working, never try to touch it and keep children away from the heater.
- Always ensure the heater stands horizontally, and firmly on a hard standing surface, the Glass Tube could break, if the heater was to fall over.
- Never use the heater if the glass tube is damaged in any way.

If the wheel kit is supplied

If the heater is to be moved, to avoid the Gas Bottle from damaging the side panels, it is recommended the belts provided are set up as follows:



Loop Strapping through slots in bottom shelf and secure over top of propane tank as illustrated



Warning:

When the Gas Bottle is properly tied in by the Belts, and the Heater is moved, the Gas Bottle might still damage the panels, if the Heater is tilted in other directions.

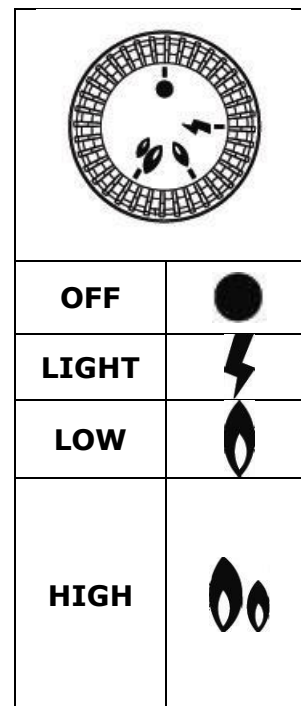
LIGHTING INSTRUCTIONS

Check and ensure that an AA battery is inside the ignition chamber and has power. Ensure the anode (+) faces outside.



Electric igniter Lighting

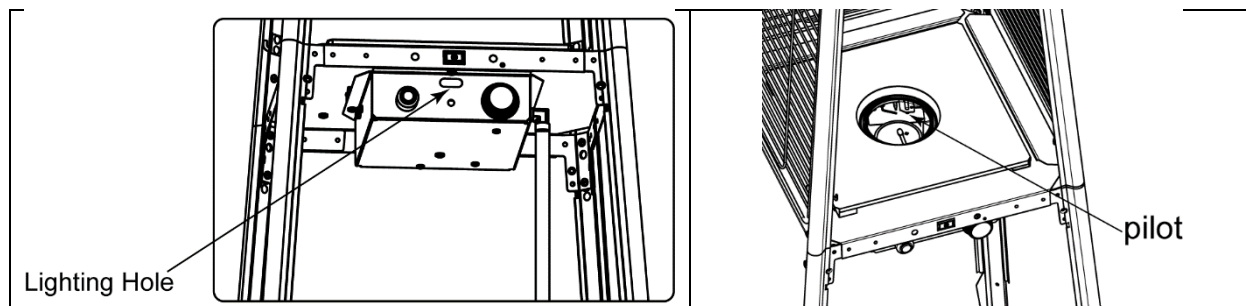
1. Ensure that the control knob is in the **OFF position**. Slowly open the gas bottle valve or turn your regulator to the ON position
2. Press and turn the control knob to **LIGHT** position, push the igniter to generate spark whilst keeping the control knob pressed in. * **purging the air from the gas system can take up to 60 seconds before ignition is possible** *
3. Check for pilot flame through the glass tube. If pilot does not light, turn control knob to '**OFF**' position, wait 5 minutes and try again from the start. Several attempts may be necessary.
4. With the pilot alight, keep the control knob depressed for 15 seconds then turn the control knob to '**LOW**' position.
5. For maximum heat turn control knob to '**HIGH**' position.
6. To turn heater off, turn the control knob to '**OFF**' position.



If the Electric igniter fails, the heater can be lit by a match

Match Lighting

A long reach match is needed. Hold the lit match through the hole in the front of the control box, attach the flame of the match to heater's pilot whilst pressing and turning the Control Knob to **LIGHT** position .



MAINTENANCE/STORAGE

CLEANING AND MAINTANCE

NOTE: IMPORTANT

1) **ALL MODELS – UPPER AND LOWER PROTECTION GUARDS**

THE GUARDS ARE MANUFACTURED FROM STAINLESS STEEL BUT SHOULD BE CLEANED OR POLISHED ON A REGULAR BASIS (ONCE EVERY TWO MONTHS) TO AVOID DISCOLOURATION, WITH A QUALITY STAINLESS STEEL CLEANER.

2) **MODELS WITH STAINLESS STEEL SIDE AND FRONT PANELS.**

THE PANELS ARE MANUFACTURED FROM STAINLESS STEEL BUT SHOULD BE CLEANED OR POLISHED ON A REGULAR BASIS (ONCE EVERY TWO MONTHS) TO AVOID DISCOLOURATION, WITH A QUALITY STAINLESS STEEL CLEANER.

3) **MODELS WITH POWDER COATED SIDE AND FRONT PANELS**

USE WARM SOAPY WATER FOR CLEANING. NEVER USE INFLAMMABLE, CORROSIVE OR ABRASIVE CLEANERS. WHILE WASHING YOUR UNIT, BE SURE TO KEEP THE AREA AROUND THE BURNER AND PILOT ASSEMBLY DRY AT ALL TIMES. IF THE GAS CONTROL IS EXPOSED TO WATER IN ANY WAY, DO NOT TRY TO USE IT. IT MUST BE REPLACED.

4) **ALL MODELS – NOTE:**

IF THE UNIT IS SITUATED IN A SALT AIR ENVIRONMENT (SUCH AS NEAR THE OCEAN) CORROSION CAN OCCUR MORE QUICKLY THAN NORMAL. IT SHOULD THEREFORE BE CLEANED ON A MORE REGULAR BASIS.

- To enjoy years of outstanding performance from your heater make sure you perform the following maintenance activities on a regular basis:
- Keep exterior surfaces clean.
- At least once a year, the unit should be inspected for spiders, spider webs or other insects.
- Air flow must be unobstructed. Keep controls. Burner and circulating air passageways clean. Signs of possible blockage include:
 - Gas odour with extreme yellow tipping of flame.
 - Heater glow is excessively uneven.
 - Heater makes popping noises.
- Spider and insects can nest in burner or orifices. This dangerous condition can damage heater and render it unsafe for use. Clean burner holes by using a heavy-duty pipe cleaner. Compressed air may help clear away smaller particles.
- Carbon deposits may create a fire hazard. Clean reflector and glass tube with soapy water if any carbon deposits develop. Always be careful when cleaning the glass tube.

CLEANING AND MAINTAINANCE OF THE GLASS TUBE

IMPORTANT

MAKE SURE THE UNIT IS SWITCHED OFF AT THE GAS SUPPLY AND HAS NOT BEEN LIT FOR A MINIMUM OF 4 HOURS.

PARTS REQUIRED

BUCKET OF HOT SOAPY WATER SOLUTION
BUCKET OF WARM WATER
SOFT SPONGE
BROOM OR BRUSH HANDLE

CLEANING

- 1) REMOVE THE GLASS TUBE FROM THE HEATER (REFER TO YOU INSTRUCTION MANUAL) HOW TO DO THIS.
- 2) HAVE A BUCKET OF HOT SOAPY SOLUTION OF WATER AND A SOFT SPONGE.
- 3) TAKING EXTRA CARE, PLACE THE SPONGE WHICH HAS BEEN DIPPED IN THE HOT SOAPY SOLUTION, AND PUSH THE SPONGE UP THE NECK OF THE TUBE TO REMOVE THE SOOTY BUILD UP. USE THE BROOM OR BRUSH HANDLE TO PUSH THE SPONGE UP AND DOWN THE TUBE.
- 4) YOU MAY HAVE TO DO THIS TWO OR 3 TIMES (DEPENDING ON THE SOOT).
- 5) ONCE ALL THE SOOT HAS BEEN REMOVED RINSE THE SOAPY SOLUTION AWAY WITH CLEAN WARM WATER.
- 6) LEAVE TO DRY AND FIT GLASS TUBE BACK INTO THE HEATER, AGAIN REFER TO THE INSTRUCTION MANUAL.
- 7) **NOTE:**
DO NOT LIGHT THE HEATER UNTIL THE UNIT IS TOTALLY DRY.

STORAGE:

Between uses:

- Turn the control knob to “OFF” position.
- Turn LPG bottle to “OFF” position.
- Store heater upright in an area sheltered away from weather conditions (such as rain, sleet, hail, snow).
- If desired, cover heater to protect exterior surfaces and to help prevent dust and debris collecting in air passages.

During periods of extended inactivity or when transporting:

- Turn the control knob to “OFF” position.
- Disconnect LPG Bottle and move to a secure, well-ventilated location outdoors.
Do NOT store in a location that will exceed 51 degrees C.
- Store heater upright in an area sheltered away from weather conditions (such as rain, sleet, hail, snow).
- If desired, cover heater to protect exterior surfaces and to help prevent dust and debris collecting in air passages.

WARNING

FOR YOUR SAFETY:

- DO NOT touch or move heater for at Least 45 minutes after use.
- Allow all burner elements to cool before Touching.

NOTE

- In a salt-air environment (such as near an Ocean) corrosion occurs more quickly than normal.
- Frequently check for corroded areas and Repair them promptly.
- Wait until heater is cool before covering.

TROUBLESHOOTING

PROBLEM	PROBABLE CAUSE	SOLUTION
Pilot will not light	Gas valve may be OFF	Turn the gas valve ON
	Fuel Bottle empty	Refill LP gas bottle
	Orifice blocked	Clean or replace
	Air in supply system	Purge air from lines
	Loose connection	Check all fittings
	Pilot will not stay on	Debris around pilot
Loose connection		Tighten connection
Thermocouple Faulty		Replace Thermocouple
Gas leak in line		Check connections
Lack of fuel pressure		Fuel bottle is nearly empty
Burner will not light		Pressure is low
	Orifice blocked	Remove, clean and replace
	Control Valve not ON	Turn valve to ON
	Thermocouple Faulty	Replace Thermocouple
	Pilot light assembly out of alignment or not in correct location	Place pilot light in correct Position and retry

- Any modifications or repairs to the patio heater must be carried out by a suitable qualified engineer

Distributed by Lifestyle Appliances Limited
 Unit 66, Enfield Industrial Estate, Redditch, Worcestershire B97 6DE
Tel: 01527 65126 **Email:** sales@lifestyleappliances.co.uk

Due to production continuously developing, the product you bought might slightly differ from the one in this manual (1111)