

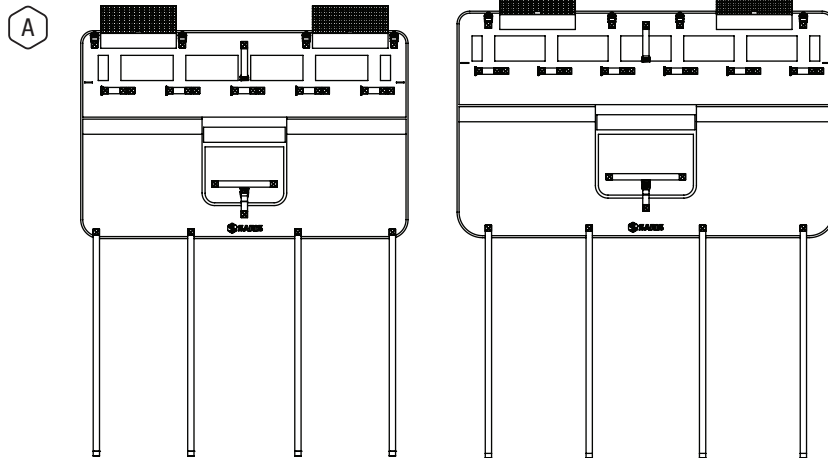
# Saris Tailgate Pad #TGP100, TGP200

Assembly Instructions | Instrucciones de montaje | Instructions d'assemblage



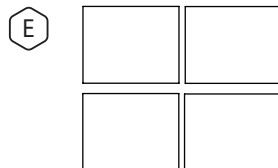
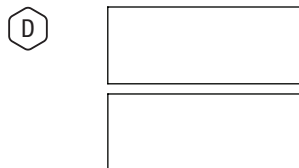
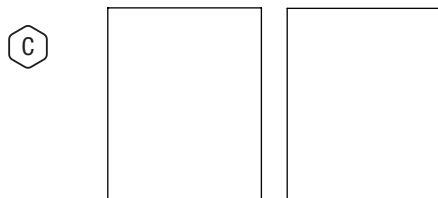
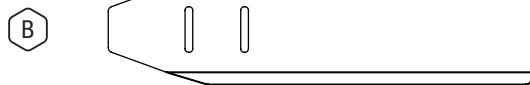
## WHAT'S IN THE BOX

LETTER	QTY	PART DESCRIPTION
A	1	Tailgate Pad
B	1	Installation Tool
C	2	Down Tube Protective Film Bottom
D	2	Down Tube Protective Film Top
E	4	Tailgate Lower Protective Film



TGP100 Small

TGP200 Large



## FOLLOW INSTRUCTIONS



### ASSEMBLY/INSTALLATION VIDEO

<https://saris.com/pages/videos>



### REGISTER YOUR PRODUCT

<https://saris.com/pages/product-registration>



## SPECIFICATIONS

### TGP100 Small

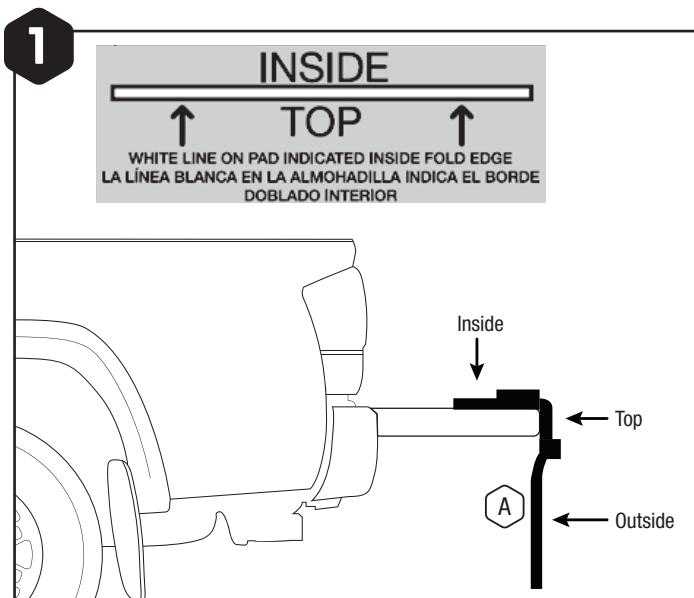
5 bike max (51-1/8" minimum required inner truck bed clearance)

### TGP200 Large

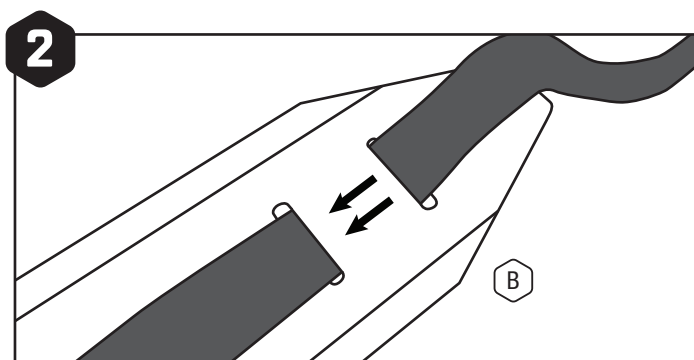
6 bike max (59" minimum required inner truck bed clearance)

LOT CODE

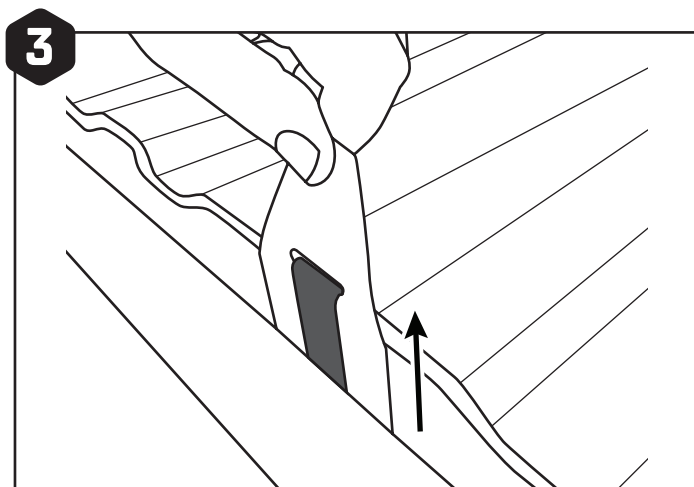
## INSTALL TAILGATE PAD:



Open tailgate. Place tailgate pad (A) on tailgate, with the white line on the pad positioned on the inner edge of the tailgate, as shown.

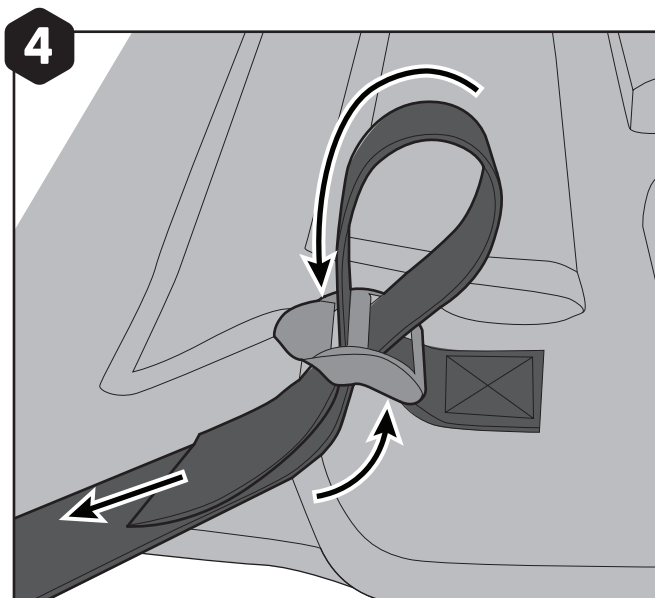


Place attachment straps into the installation tool (B), as shown.



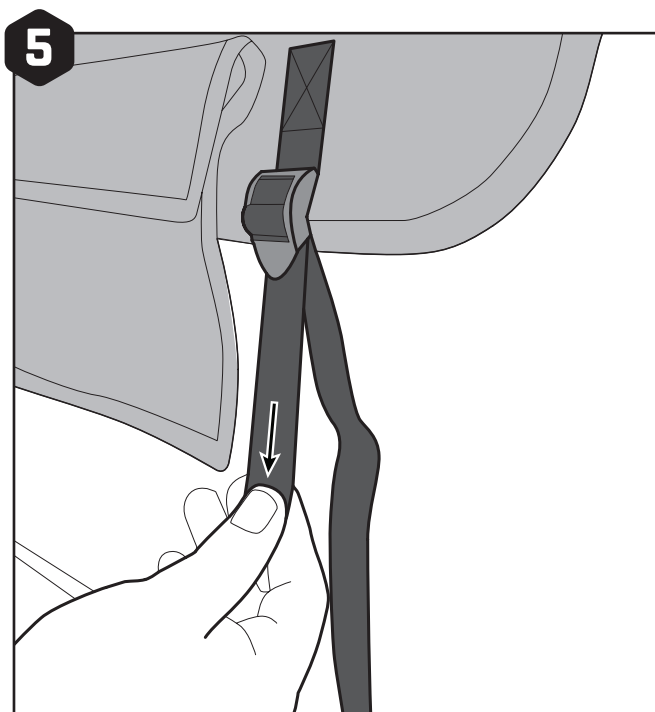
Feed the tool with the strap under your tailgate.

Note: Tailgate may need to be adjusted to partially open in order to feed tool and strap through.



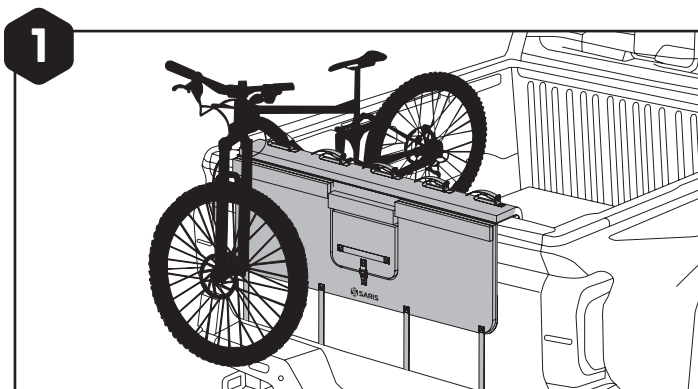
Pull the strap from the installation tool and thread it through the corresponding buckle on the inner side of the tailgate pad. Then, thread the strap over the top buckle ladder and leave the strap loose.

Repeat steps 2–4 with the remaining 3 straps.

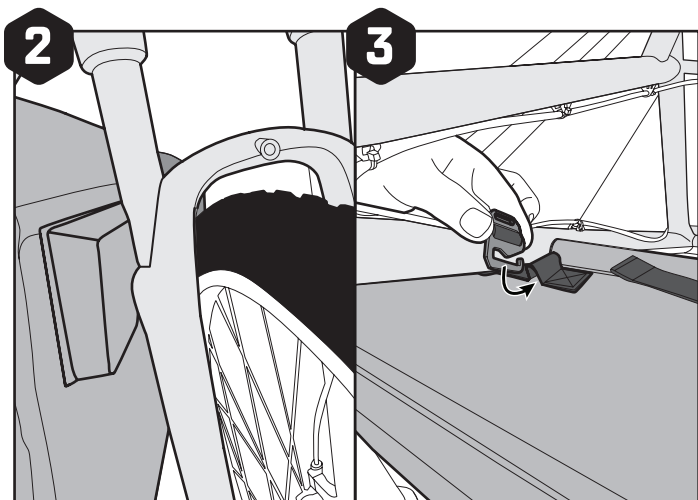


Evenly tighten all four straps.

## LOAD BIKES:



Place the front wheel of your bicycle over the tailgate pad, and turn handlebars as shown.



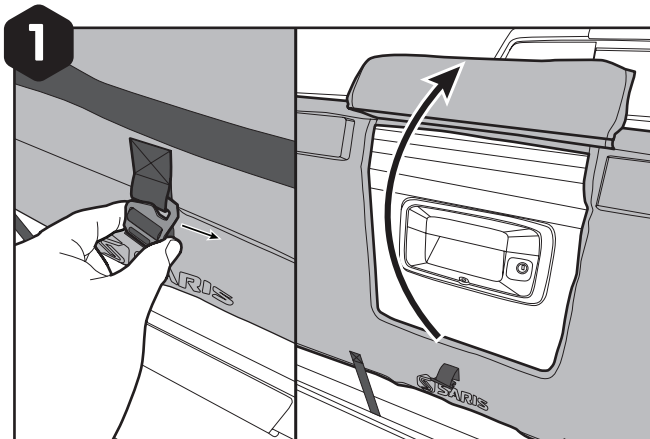
Position your bike's down tube between the blocks and hook the strap through the loop. Tightly cinch the strap.

Repeat steps 1-3 for additional bikes, matching the wheel/handlebar direction on additional bikes.

Load bikes smallest to largest.

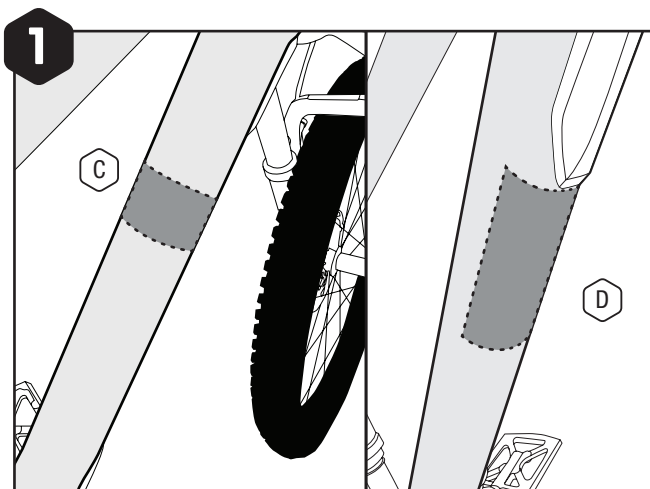
## BACKUP CAMERA ACCESS:

The Saris Tailgate pad features a large flap for convenient access to your tailgate's handle and backup camera.

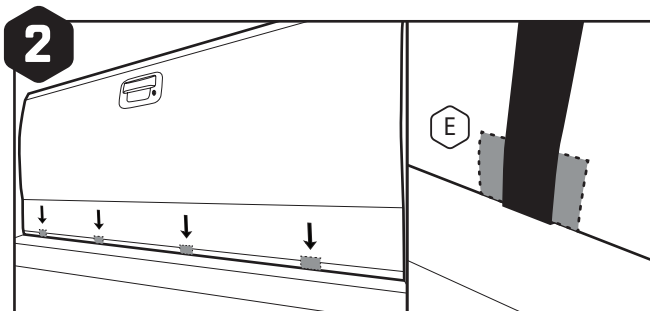


Disengage the lower hook at the center of the pad and flip the window up. Secure the strap hook to loop on inner side of the pad.

## INSTALL PROTECTION FILM (OPTIONAL):



Take note of bike's down tube position on tailgate pad and install protective film (C and D) on bike's down tube as shown. Apply to a clean down tube.



Optional -Take note of lower strap tailgate contact points and install protective film (E) as shown. Apply to a clean tailgate.

**TECHNICAL SPECIFICATIONS:**

Permitted load capacity: 250 or 300 lbs. (5 or 6 bikes)

Max bike weight: 50 lb.

**RECOMMENDED MAINTENANCE:**

Each use:

Wipe down or wash tailgate before installation.

Every 90 days:

Clean with water and mild soap

**CAUTIONS:**

- All requirements for compatibility/fit as stated in the current Saris vehicle/carrier compatibility guide must be followed. (Available at any Saris dealer or [www.saris.com](http://www.saris.com)). If your vehicle is not listed or you have any questions, please call our customer service at 800-783-7257 or visit [www.saris.com](http://www.saris.com).
- Read and follow instructions carefully. Save owner's manual for future reference or parts information. Ensure that any other users of the bicycle carrier are familiar with their content.
- Drive slowly over speed bumps, 5 to 10 mph max speed.
- It is the end user's responsibility to ensure that use of this product meets all local and state laws.
- When cleaning vehicle and rack, use only water-soluble cleaners. Do not take rack through car wash.
- Make sure bike tires are not directly behind exhaust pipe.
- Prior to usage on the road, remove all loose parts from bicycle, including (but not limited to) child seat, basket, lock, light, pump, etc.
- This carrier is not recommended for off-road use or for use at speeds exceeding 70 mph (113 km/h).
- The handling characteristics of a vehicle will change when a rear bicycles carrier is fitted and especially when it is loaded (in particular crosswind sensitivity, handling on bends and breaking). Driving techniques should be altered to allow for these changes, reduce speed, especially on bends, and allow for longer braking distances.
- The vehicle's total length increases when the bike carrier is attached. The bikes themselves may increase the vehicle's total width and height. Take care when reversing and/or entering garages or ferries, etc.
- Remove carrier from vehicle when not in use.
- This carrier is constructed to carry standard bike frames. It is not intended for use with tandem or recumbent bicycles.
- Replacement parts are available through your local Saris dealer or call 1-800-783-7257.
- Tighten straps regularly during the journey.
- Vehicle should be in good condition in the area at which the hitch is located.
- Saris absolves itself of responsibility for any personal injuries or consequential damage to property or wealth caused by incorrect fitting or use.
- The vehicle's tailgate should be in good working condition to ensure bicycle security and stability.

**WARNING AND DISCLAIMER:**

This carrier has been designed to carry bicycles on specific vehicles. Before installation, user must read and follow current Saris Fit Guide (available through Saris dealer or at <https://saris.com/pages/fit-guide>) recommendations and enclosed instructions. Fit recommendations are based on vehicle's standard features; optional features may affect the fit recommendations. User must attach carrier correctly to the vehicle, check its attachment before each use, and inspect carrier parts for wear. Carrier's attachment to vehicle is critical and beyond the control of the manufacturer. Manufacturer and seller expressly disclaim any and all liability for personal injury, property damage or loss, whether direct, indirect, or incidental, resulting from the incorrect attachment, improper use, inadequate maintenance, or neglect of this carrier.

**OFFICIAL WARRANTY TERMS:**

Saris Equipment LLC warrants our product to the original consumer to be free from defects in material and workmanship. Please retain your sales slip for your records, as proof of purchase will be required.

**WARRANTY TERM:**

Note: No damage to mounting surfaces is covered.

Any product or part thereof found to be defective within the term as set forth above will be replaced without charge provided that: (1) its failure resulted from a defect in material or workmanship and not from normal wear and tear expected in the use of the product; (2) the product was not misused, improperly assembled, improperly maintained or damaged by accident; (3) there was no failure to follow instructions or warnings in **Owner's Manual**; (4) no alterations or modifications were made; and (5) the product or part is delivered, freight prepaid, to Saris Equipment LLC or an authorized service center. Please call 1-800-783-7257 to obtain return authorization prior to return. Saris Equipment LLC reserves the right to inspect any product before issuing a replacement. Saris Equipment LLC's only obligation shall be to replace such products or parts that it determines are defective.

**LIMITATIONS:**

The foregoing warranties are in lieu of and exclude all other warranties not expressly set forth herein, whether expressed or implied by operation of law or otherwise. Other than set forth as above, Saris Equipment LLC makes no warranty, whether express, implied or statutory, with respect to any product, including, but not limited to, warranties of reliability, merchantability, fitness for a particular purpose, or those arising from any course of performance, dealing, usage or trade. Saris Equipment LLC shall not be liable for incidental or consequential losses, damages or expenses in connection with its products. Saris Equipment LLC's liability hereunder is expressly limited to the replacement of goods not complying with this warranty or, at Saris Equipment LLC's election, to the repayment of an amount of the purchase price of the product in question. Some states do not permit the exclusion or limitation of implied warranties or incidental or consequential damages, so the preceding limitations and exclusions may not apply to you.