

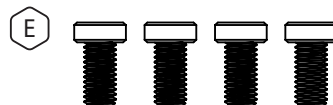
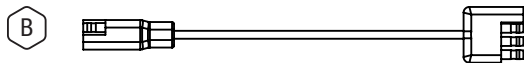
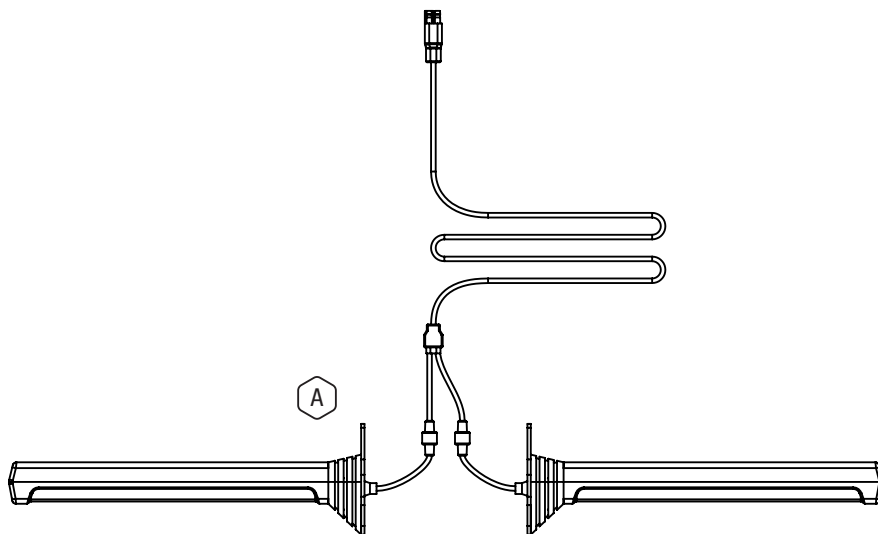
# MHS Light Kit # 4695

Assembly Instructions | Instrucciones de montaje | Instructions d'assemblage



## WHAT'S IN THE BOX

LETTER	QTY	PART DESCRIPTION
A	1	LED Light Bar set
B	1	4 pin square to 4 pin flat adapter
C	2	Wire pass through plug
D	1	Hex Key
E	4	Bolts 5 mm



## FOLLOW INSTRUCTIONS



### SARIS FIT GUIDE

<https://saris.com/pages/hitch-fit-guide>



### ASSEMBLY/INSTALLATION VIDEO

<https://saris.com/pages/videos>



### REGISTER YOUR PRODUCT

<https://saris.com/pages/product-registration>



LOT CODE

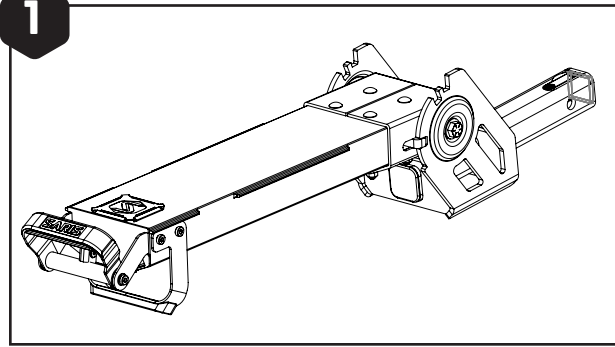
## MHS LIGHT KIT INSTALLATION INSTRUCTIONS

MHS Light Kit only works on MHS Base units (SKU: 4610, 4620 or 4630).

The MHS Light Kit is designed to be installed on the rear of any MHS Base while in use or in the stowed position.

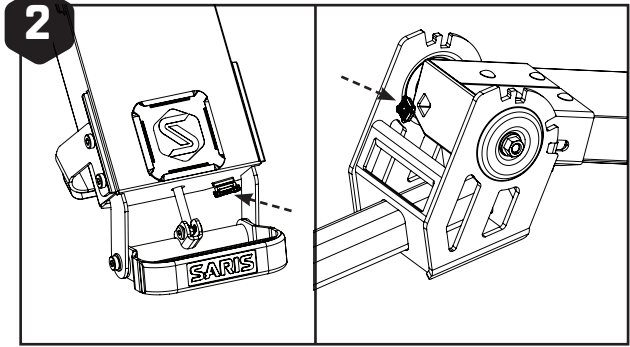
MHS Light Kit uses a 4-pin flat power connection, is FMVSS108, DOT certified, and features full-function driving OE (running lights, turn signals, hazards, and braking).

### 1 PREP MHS BASE UNIT



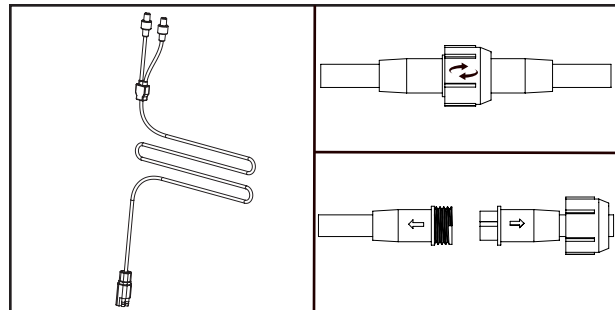
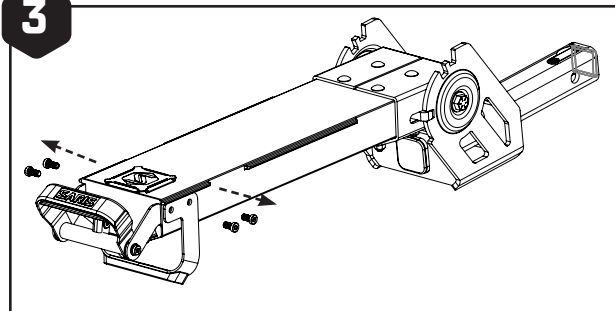
- Remove any installed modules or trays from your MHS Base. (optional)
- Assembly can be done while MHS Base is installed on the vehicle or separate. If separate, connect power adapter later.

### 2 REMOVE MHS BASE WIRE PASS THROUGH PLUGS



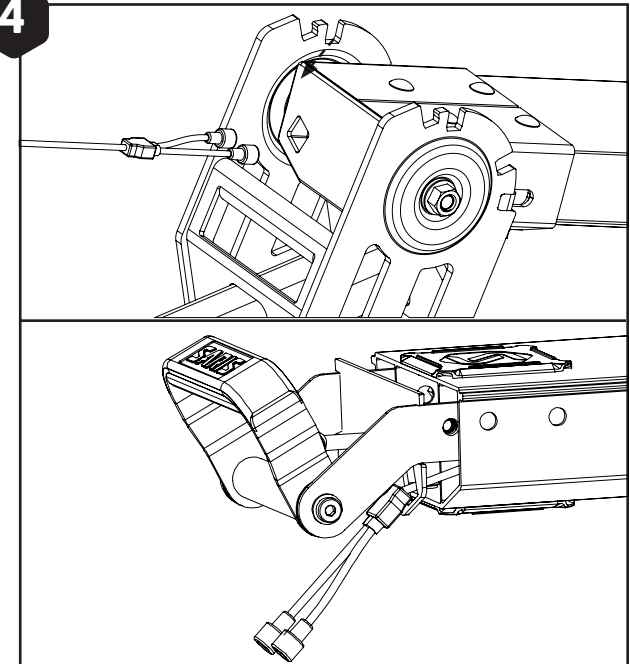
- Remove the wire pass through plug on the front of the MHS base.
- This will be used to feed power connection cable through receiver base.

### 3 REMOVE HANDLE BOLTS



- Use a 5mm hex key to remove bolts (x4) that hold existing tilt handle.
- MHS Light Kit brackets will leverage these bolt holes for installation.
- Twist barrel on each wire connection and disconnect the wire leads from each light bracket.

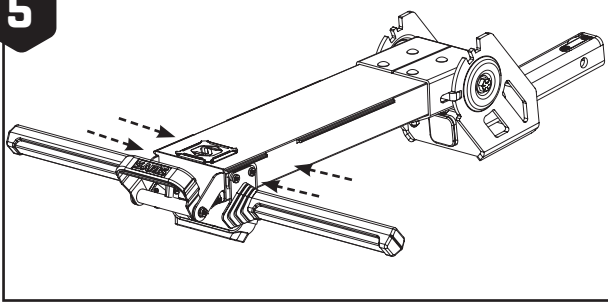
### 4 POWER CABLE IN BASE UNIT



- Feed the cables through the removed cap rear wire pass through port out the front handle wire pass through port.
- Install the wire pass through plugs at rear and front of rack base.

### INSTALL MHS LIGHT KIT BRACKETS

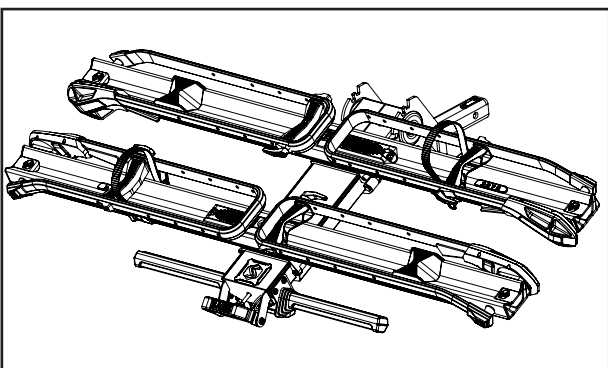
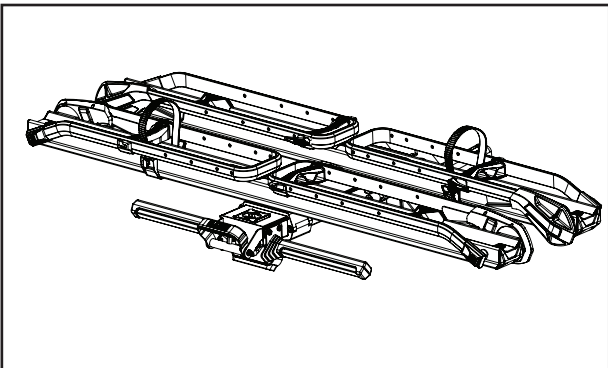
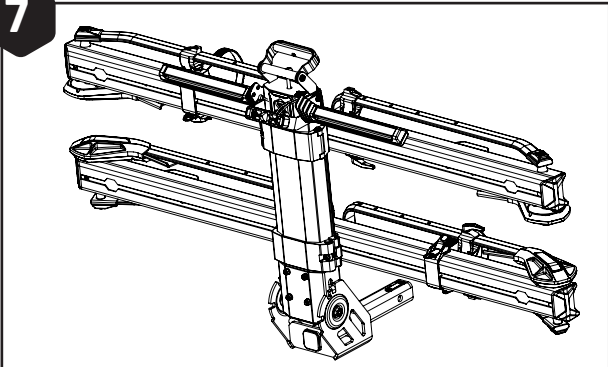
5



- Verify correct orientation of driver side and passenger side light bars.
- Align bracket holes with bolt holes on the MHS Base unit.
- Position the tilt handle so the bolt holes are aligned.
- Using 5mm hex key allen wrench and new longer, bolts (included in MHS Light Kit), install each bracket on their respective side of the base.

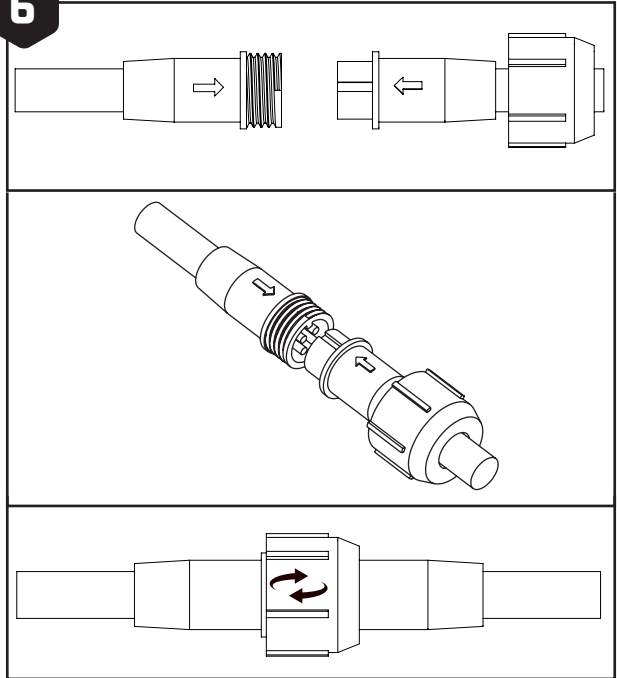
### DRIVE IN STYLE! USER FUNCTION:

7



### RECONNECT WIRE LEADS TO LIGHT BRACKETS

6



- Reconnect wire leads by lining up key way and threading barrel to secure
- Connect the 4-square pin to 4-flat pin adapter.
- Connect adapter to vehicle power.

**RECOMMENDED MAINTENANCE :**

Before Each Use:

- Check for loose bolts, tighten as necessary

Every 90-Day Actions:

- Clean with water and mild soap
- Lubricate (use wet, oil-based lubricant; NO WD-40)
- Lubricate 4-pin connectors with dielectric contact grease

**CAUTIONS:**

- All requirements for compatibility/fit as stated in the current Saris vehicle/light kit compatibility guide must be followed. (Available at any Saris dealer or [www.saris.com](http://www.saris.com)). If your vehicle is not listed or you have any questions, please call our customer service at 800-783-7257 or visit [www.saris.com](http://www.saris.com).
- Read and follow instructions carefully. Save owner's manual for future reference or parts information. Ensure that any other users of the carrier are familiar with their content.
- Drive slowly over speed bumps, 5 to 10 mph max speed.
- It's the end users responsibility to ensure that use of this product meets all local and state laws.
- When cleaning vehicle and rack, use only water soluble cleaners. Do not take rack through car wash.
- This is not recommended for off-road use or for use at speed exceeding 70 mph (113 km/h).
- Saris absolves itself of responsibility for any personal injuries or consequential damage to property or wealth caused by incorrect fitting or use.

**WARNING AND DISCLAIMER:**

Before installation, user must read and follow current Saris Fit Guide (available through Saris dealer) recommendations and enclosed instructions. Fit recommendations are based on vehicle's standard features; optional features may affect the fit recommendations. User must attach carrier correctly to the vehicle, check its attachment before each use, and inspect carrier parts for wear. Carrier's attachment to the vehicle is critical and beyond the control of the manufacturer. Manufacturer and seller expressly disclaim any and all liability for personal injury, property damage or loss, whether direct, indirect, or incidental, resulting from the incorrect attachment, improper use, inadequate maintenance, or neglect of this carrier.

**OFFICIAL WARRANTY TERMS:**

Saris Equipment LLC, parent company of Saris Racks, warrants our product to the original consumer to be free from defects in materials and workmanship. Please retain your sales slip for your records, as proof of purchase will be required.

**WARRANTY TERM:**

**Note:** No damage to mounting surfaces is covered.

This light kit is DOT certified for use with Saris' MHS system and is not applicable to other devices or vehicles

MHS light kit is compatible with 4-pin trailer wiring connectors. If your vehicle has a 7-pin connector an adapter is required.

1-year warranty on electronics from date of purchase.

Warranty is null and void if light kit is taken through a carwash.

Any product or part thereof found to be defective within the term as set forth above will be replaced without charge provided that: (1) its failure resulted from a defect in material or workmanship and not from normal wear and tear expected in the use of the product; (2) the product was not misused, improperly assembled, improperly maintained or damaged by accident; (3) there was no failure to follow instructions or warnings in **Owner's Manual**; (4) no alterations or modifications were made; and (5) the product or part is delivered, freight prepaid, to Saris Equipment LLC or an authorized service center. Please call 1-800-783-7257 to obtain return authorization prior to return. Saris Equipment LLC reserves the right to inspect any product before issuing a replacement. Saris Equipment LLC's only obligation shall be to replace such products or parts that it determines are defective.

**LIMITATIONS:**

The foregoing warranties are in lieu of and exclude all other warranties not expressly set forth herein, whether expressed or implied by operation of law or otherwise. Other than as set forth above, Saris Equipment LLC makes no warranty, whether express, implied or statutory, with respect to any product, including, but not limited to, warranties of reliability, merchantability fitness for a particular purpose, or those arising from any course of performance, dealing, usage or trade. Saris Equipment LLC shall not be liable for incidental or consequential losses, damages or expenses in connection with its products. Saris Equipment LLC's liability hereunder is expressly limited to the replacement of goods not complying with this warranty or, at Saris Equipment LLC's election, to the repayment of an amount of the purchase price of the product in question. Some states do not permit the exclusion or limitation of implied warranties or incidental or consequential damages, so the preceding limitations and exclusions may not apply to you.

**EXCLUSIONS :**

- If consumer does not heed cautions listed in Instruction Manual, damage is not covered under warranty
- Impact/collision damage is not covered under warranty
- Cradles and strap damage due to improper arm placement are not covered under warranty
- Rust is wear and tear and is preventable with rack maintenance
- Weather impact (UV, salt air/water)