



SIMPLY DESIGNED TO LAST. GUARANTEED.*

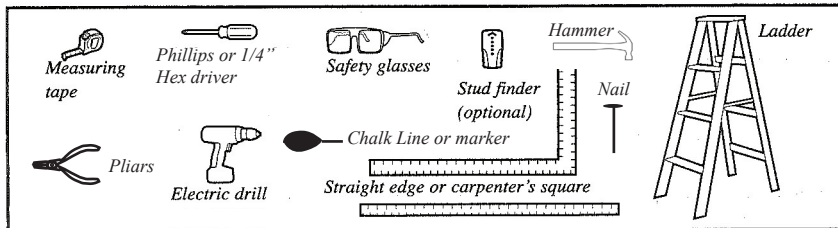
FINALLY – A COMPANY THAT LOVES BIKES AS MUCH AS YOU DO.

Chances are, your bikes are just like ours - your most valued possessions. And if it has the Saris name on it, nothing we build goes out the door unless it's worth putting those possessions on. Call it obsessive. Call it eccentric. We just chalk it up to caring a hell of a lot about creating the last rack you'll ever need.

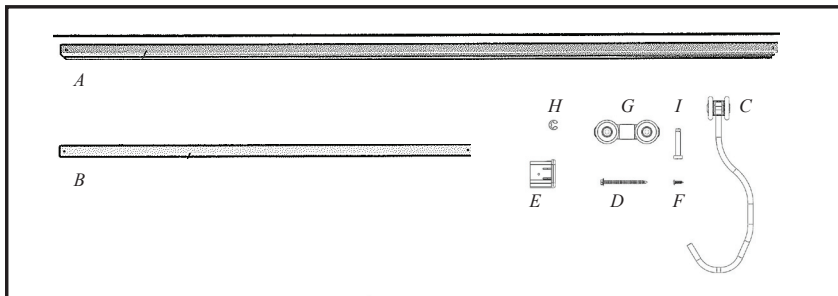
READ THIS ENTIRE MANUAL BEFORE INSTALLATION

This manual provides instructions on how to install and use the CycleGlide bicycle storage system. The instructions are written for a person with a basic understanding of tools and procedures. Read the entire manual before proceeding. If you do not understand any portion of these instructions, do not attempt to install the CycleGlide; consult your dealer.

Tools Required



Parts Included



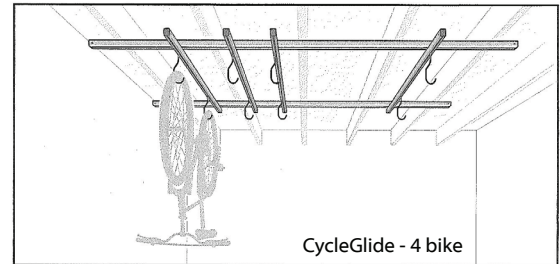
CycleGlide

Assembly Instructions

6020 - 4 bike

6021 - 2 bike add-on

Installation video available at www.saris.com



	Item Description	4 Bike Model QTY
A	76" Ceiling tracks	2
B	55" Gliders	4
C	Hooks Assemblies	8
D	2" Screws for Ceiling Tracks	10*
E	End Caps	12
F	Small Screws for End Caps	24*
G	Wheel Sets	8
H	E-Ring [†]	10
I	Headed Pin	8

*Extra parts may be included
[†]Never use after market e-rings

SAFETY PRECAUTIONS

Installing your new CycleGlide bike storage unit is simple and can be done in just an hour or two. However, it is critical that the CycleGlide be installed correctly according to the following instructions.

CAUTION: Failure to properly install and use the CycleGlide could allow the CycleGlide or bicycles to detach from the ceiling and fall, injuring the bicycles and anything they fall upon, including you.

USE TOOLS SAFELY: The procedures in these instructions require climbing ladders and operating power tools. Make sure you are familiar with these tools and their safety procedures before attempting to use them when installing your CycleGlide system. In building construction, electrical wires are often attached to the edge of studs. If you contact an electrical wire while installing your CycleGlide system you could receive a severe electrical shock, or start a fire. When drilling, make sure you are in the center of a stud.

CAUTIONS ON INSTALLATION: Do not overtighten mounting screws. Once a screw is tight, it does no good to tighten it further, and may cause damage to the ceiling tracks by bending or deforming them. Only straight ceiling tracks will allow the gliders to roll smoothly.

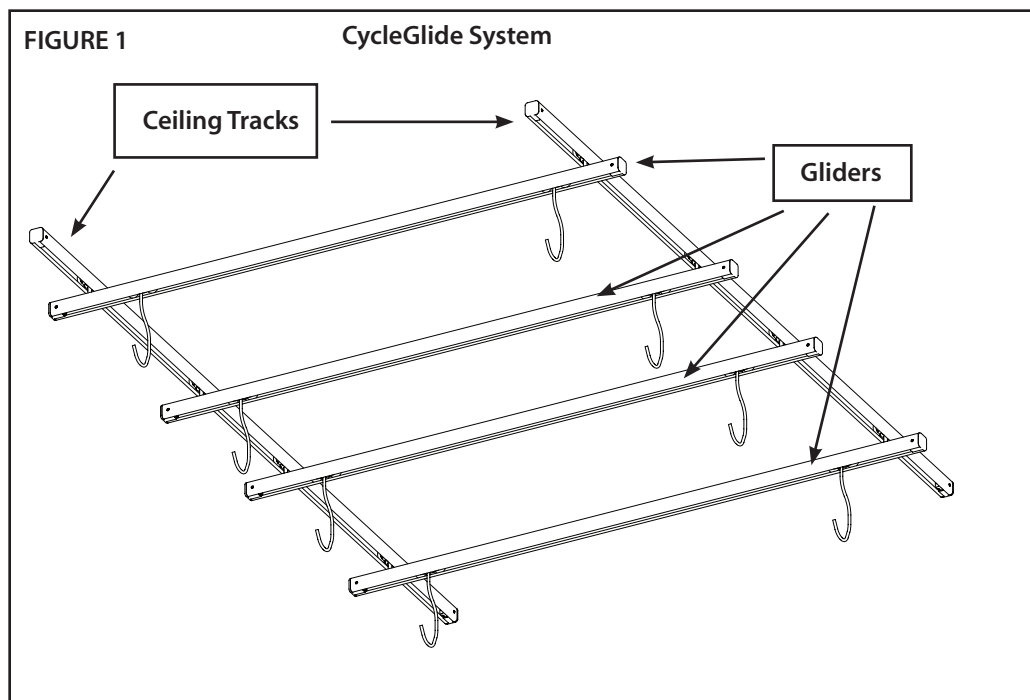
WARNING!

Contact with wires can give you a severe electrical shock, which may cause injury or death. If you do not know where wires are, have the work done by an experienced crafts-person.

1. CEILING TRACK INSTALLATION

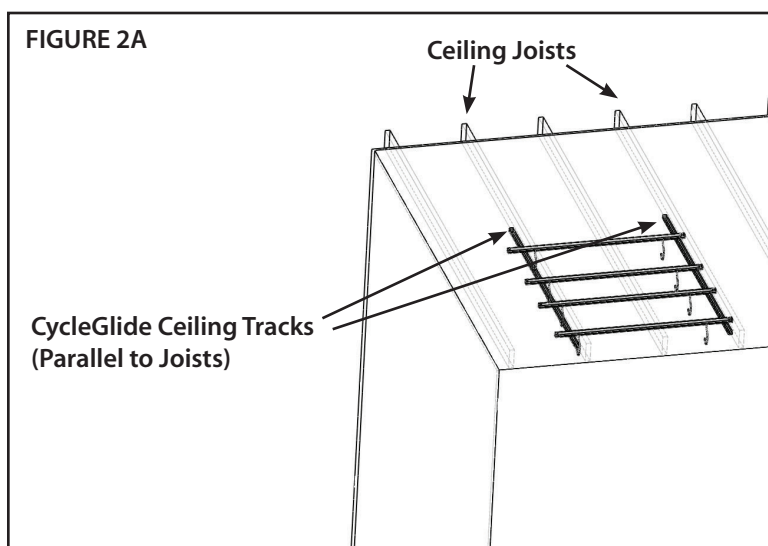


NOTE: This is the most critical step of your installation. Proper installation of the ceiling tracks is important for the proper function of the CycleGlide system as well as to ensure its load carrying capacity. Please read and follow directions carefully. An extra set of hands may be helpful for this step.

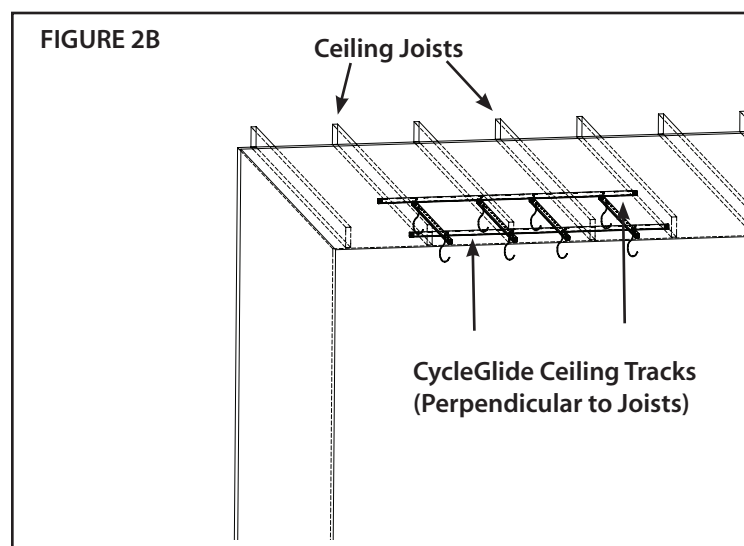


- A. Decide on the general location where you'd like to install the CycleGlide system. **Keep the CycleGlide system at least 11" away from the wall parallel to bicycle placement to avoid bicycle handlebars from hitting the wall. This is the 'nesting wall'.**
- B. Determine direction of the ceiling joists (if not exposed).
 - 1. Look for rows of nails or screws holding up the drywall.
 - OR
 - 2. Look in attic and check visually for joist direction.

** Note that in some instances, ceiling joists in one area of the ceiling may not run the same direction as in other areas.*
- C. Determine your installation method (Figure 2A or Figure 2B)



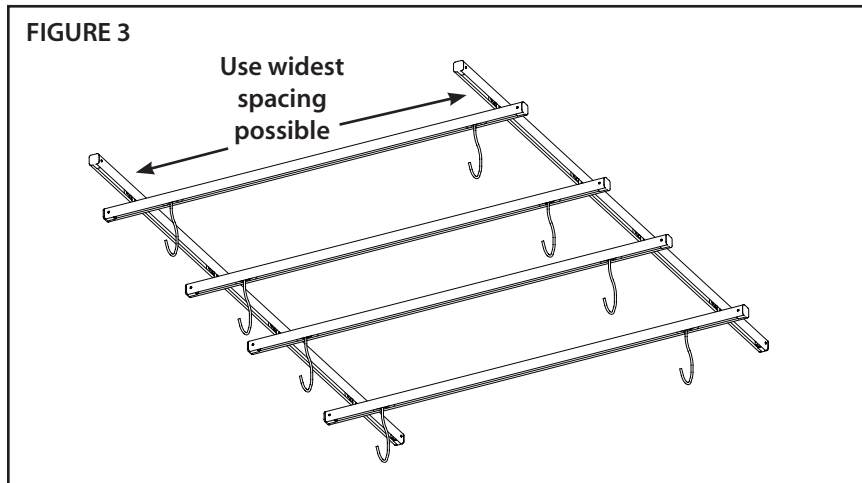
Parallel: CycleGlide ceiling tracks run parallel to the ceiling joists. See Figure 2A. **(PARALLEL INSTRUCTIONS ARE ON PAGE 3)**



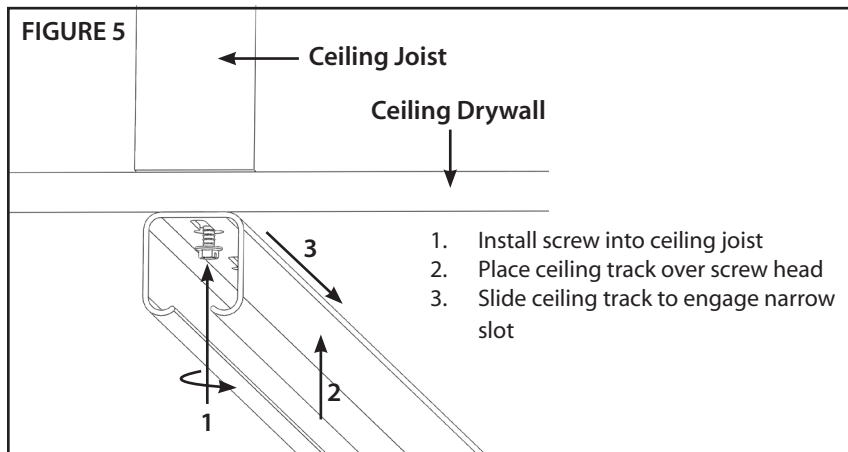
Perpendicular: CycleGlide ceiling tracks run perpendicular to the ceiling joists. See Figure 2B. **(PERPENDICULAR INSTRUCTIONS ARE ON PAGE 4)**

2A. PARALLEL INSTALLATION ONLY

A. Install ceiling tracks.



1. 16 and 24 inches on-center are both standard spacing for ceiling joists. Determine which applies to your installation.
2. With a stud finder, locate and mark the center position of the ceiling joists in the area you wish to install the CycleGlide.
3. Choose two ceiling joists to mount the ceiling tracks to. These joists should be 16, 24, 32, or 48 inches apart.
4. It is recommended to use the widest spacing possible for best stability and performance of system.

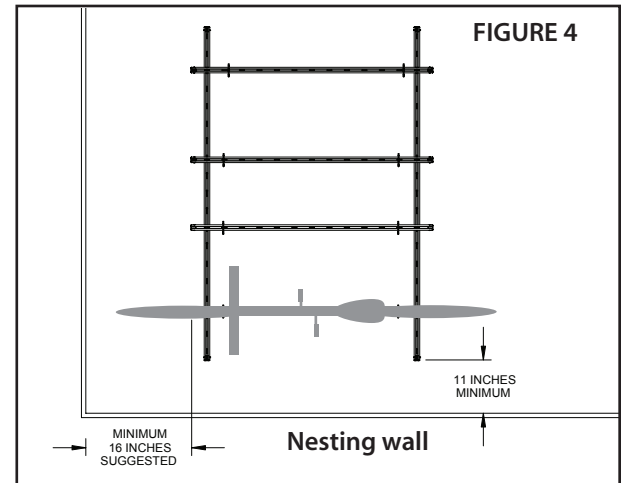
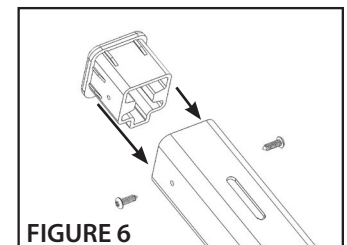


9. For ease of installation, you may install a single screw into the joist near the center of the ceiling track. Leave enough space between the ceiling and the head of the screw. Insert the ceiling track over the screw using the keyhole slots and slide the ceiling track over to engage the head of the screw.
10. Use a minimum of 4 screws per ceiling track.
11. **It is important that a mounting screw is within 14 inches of each end of the ceiling track. Failure to do so may result in system failure.**
12. After all screws are tight, remove any dust or debris from ceiling track. This will ensure the gliders run smoothly.

! Make sure screws engage ceiling joist at least 1" of threads minimum.

B. Install ONE end cap.

1. On the end of the **ceiling track** closest to the nesting wall, install an endcap for each ceiling track and secure with two #2 screws provided. See Figure 6.

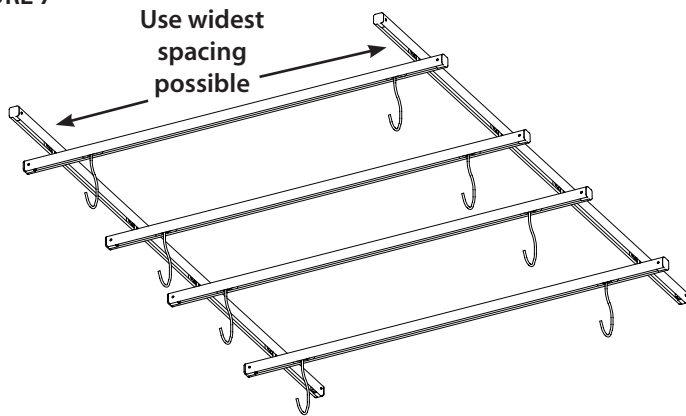


5. Bicycles may extend beyond the gliders that will run in the ceiling tracks. When installing the ceiling tracks, make sure there will be sufficient room on either end of the gliders so the bicycles will not interfere with walls or other obstacles.
6. Once you've chosen two joists to mount the ceiling tracks to, mark a straight line the length of the ceiling track (76") on the ceiling along the approximate center of each joist.
7. With a hammer and nail, verify that the line made in the previous step is on a ceiling joist. Do this on each end of each line.
8. Remembering to stay at least 11 inches away from the nesting wall, mount the 76" ceiling tracks to the ceiling joist(s) centered directly on the lines made in the previous step using the 2" wood screws provided. Leave the screws slightly loose until all screws have been installed.

2B. PERPENDICULAR INSTALLATION ONLY

A. Install ceiling tracks.

FIGURE 7

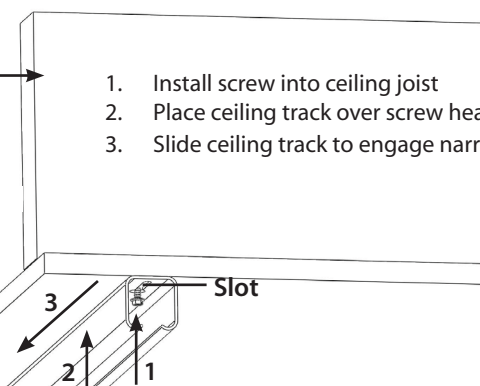


- 16 and 24 inches on-center are both standard spacing for ceiling joists. Determine which applies to your installation.
- With a stud finder, locate and mark the position of the ceiling joists.
- Once you have located the position of the joists, make a straight line on the ceiling in the location you intend to mount the first ceiling track. This line will run perpendicular to the joists. This line is where you will mount the first ceiling track.
A framing square placed against the nesting wall may help ensure your line is perpendicular with the joists.
- Choose a ceiling track spacing (16, 24, 32, 40 or 48 inches) that will work best for your chosen location.
It is recommended to use the widest spacing possible for best stability and performance of system.

FIGURE 9

Ceiling Joist

1. Install screw into ceiling joist
2. Place ceiling track over screw head
3. Slide ceiling track to engage narrow slot



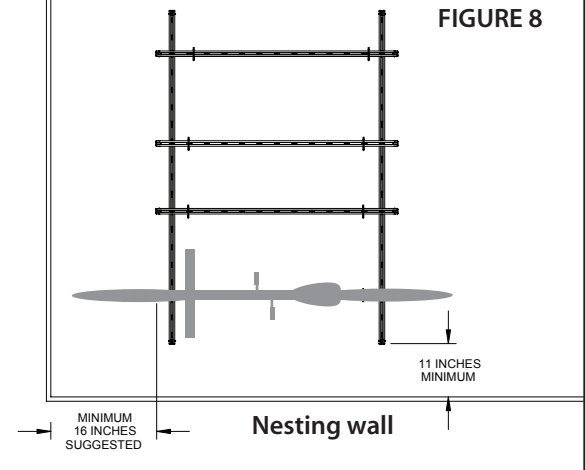
into the joist near the center of the ceiling track. Leave enough space between the ceiling and the head of the screw. Insert the ceiling track over the screw using the keyhole slots and slide the ceiling track over to engage the head of the screw. See figure 9.

- Use minimum of 4 screws per ceiling track.**
- It is important that a mounting screw is within 14 inches of each end of the ceiling track. Failure to do so may result in system failure.**
- For a ceiling joist spacing that is 24 inches on center, you should place the CycleGlide ceiling track so that the mounting screw hole on each end lines up with a ceiling joist. Mount the ceiling track to a joist at each end.**
- After all screws are tight, remove any dust or debris from ceiling track.
This will ensure the gliders run smoothly.

B. Install ONE end cap.

- On the end of the **ceiling track** closest to the nesting wall, install an endcap for each ceiling track and secure with two #2 screws provided. See Figure 10.

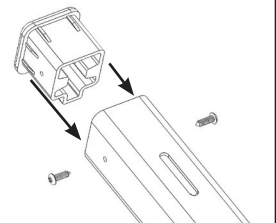
FIGURE 8



- Bicycles may extend beyond the gliders that will run in the ceiling tracks. When installing the ceiling tracks, make sure there will be sufficient room on either end of the gliders so the bicycles will not interfere with walls or other obstacles.

- Make a second line on the ceiling parallel to the line made in the previous step. This line will be spaced 16, 24, 32, 40 or 48 inches away from the first line. This is where the second ceiling track will be mounted.
- With a hammer and nail, verify that your joist markings (from stud finder) are on a joist. Do this by pounding a nail at the intersection of the joist marking and ceiling track lines. Do this at each joist you plan to screw to.
- Remembering to stay at least 11 inches away from the nesting wall, mount the 76" ceiling tracks to the ceiling joist(s) centered directly on the lines made in the previous step using the 2" wood screws provided.
For ease of installation, you may install a single screw

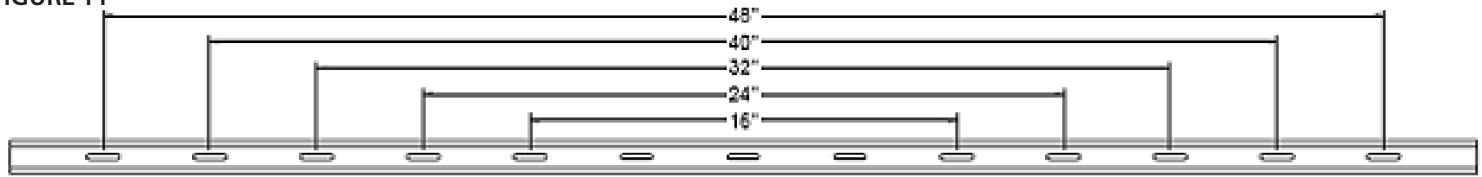
FIGURE 10



3. ASSEMBLE GLIDERS

A. Install glider wheel sets

FIGURE 11



1. Choose the holes in the 55" glider track that correspond to your ceiling track spacing (16, 24, 32, 40, or 48 inches on center).

FIGURE 12

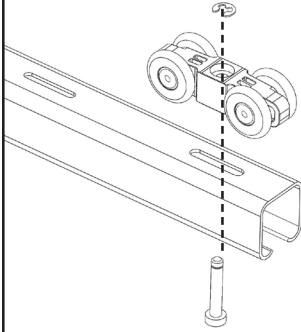


FIGURE 13

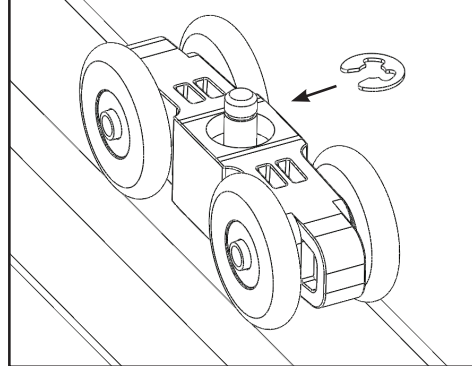
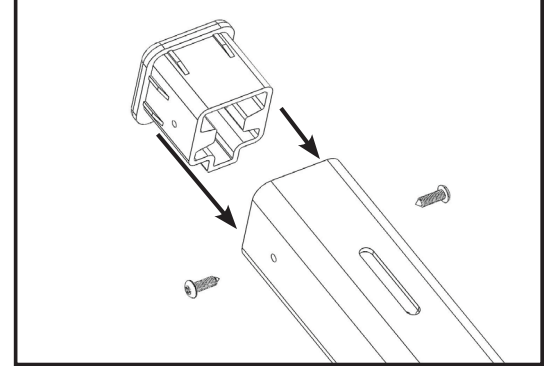


FIGURE 14



2. Install the wheel set pins as shown

3. With the pins sticking through the glider, install a wheel set onto the pin.
4. Using a pliers, secure pin to wheel set with E-ring provided, and recess E-ring into pocket of wheel set.
5. Check to make sure the wheel sets are spaced apart the same dimension as the ceiling track spacing.
6. Repeat for each glider.

1. On the end of the **glider track**, install an endcap and secure with two #2 screws provided. See Figure 14.

FIGURE 15

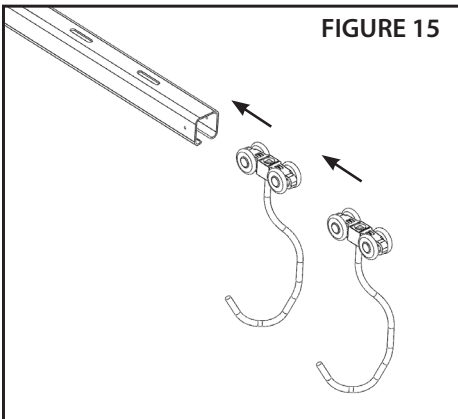
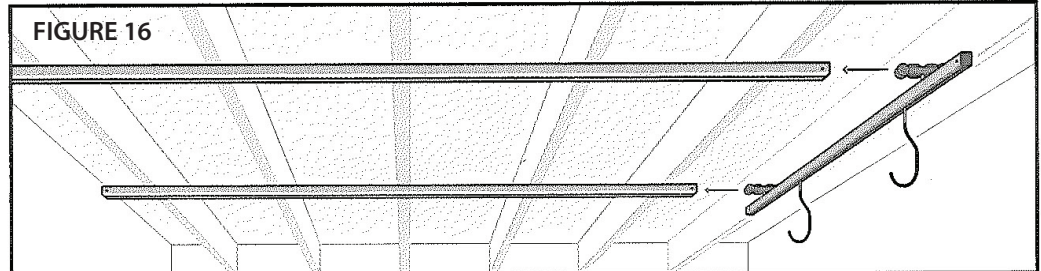


FIGURE 16



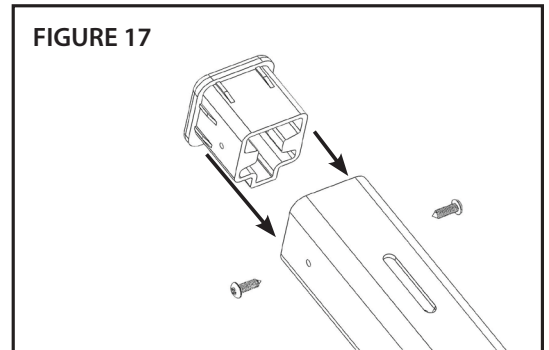
C. Install hooks

1. Install two hook assemblies into each glider assembly as shown.
2. After both hooks are installed on each glider, install the other end cap and secure with two #2 screws.
3. Repeat steps 1-2 for each glider.

D. Install gliders to ceiling tracks

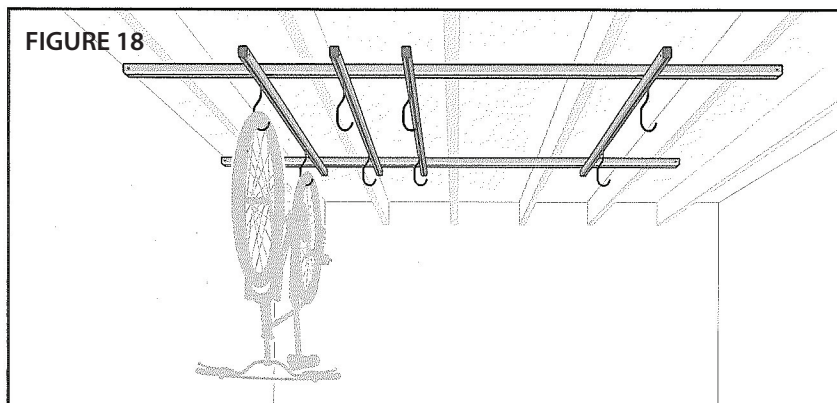
1. Install each glider assembly's exposed wheel sets into the ceiling tracks as shown
2. After all gliders are installed, install end caps in the exposed ends of the ceiling track and secure with two #2 screws. See Figure 17.

FIGURE 17



4. LOAD CYCLEGLIDE SYSTEM

** Your CycleGlide system is designed for holding four bicycles (or six bicycles with 6021 add-on) with a maximum combined weight of 200lbs (90kg), 300lbs with add-on. Exceeding this weight limit could cause the system to fail. Do not hang heavy items that exceed a total of 300lbs from the CycleGlide or 50lbs per glider.



- A. Push all empty gliders to the front of the ceiling tracks.
- B. Lift the bicycle (upside down) and place the wheels onto the hooks. When loading multiple bicycles, it will be helpful to alternate the direction the bicycle points to avoid handlebar interference.

CAUTION:

1. Read and follow all instructions carefully.
2. It is the consumer's responsibility to install this system in accordance with all codes, ordinances, and local regulations.
3. When installing the CycleGlide system, it is the consumer's responsibility to ensure the structural integrity of the structure it is being mounted to.
4. Always be aware of electrical wires during installation. Failure to do so could result in an electrical shock or death.
5. The CycleGlide system is intended for storage of bicycles only.
6. When hanging a bicycle, always hang it from both wheels.
7. Hang only one bicycle per glider.
8. This bicycle storage system has a maximum load capacity of 50 lbs per glider. Overloading this system could result in damage to property or injury. Maximum system capacity is no more than 300 lbs total system capacity when a two bike add-on is installed.
9. Use extreme caution when loading and unloading bicycles from this system, as loads above your head can easily become unstable.
10. It is the consumer's responsibility to ensure that the CycleGlide system is in proper working condition before loading bicycles. Failure to do so could result in damage to property or injury.
11. The wheels of the bicycles being hung on the CycleGlide must be tightly secured to the bicycle frame.

WARNING AND DISCLAIMER:

Manufacturer and seller expressly disclaim any and all liability for personal injury, property damage or loss, whether direct, indirect, or incidental, resulting from the incorrect mounting, improper use, inadequate maintenance, or neglect of this system.

WARRANTY:

Saris Cycling Group, Inc. ("Saris") warrants that your Saris product will be free from defects in materials and workmanship for as long as you own the product. This warranty only extends to the original consumer buyer. This warranty does not apply to parts that have worn out through normal use or been damaged through misuse, abuse, neglect, accident or unauthorized modifications. ANY IMPLIED WARRANTIES WHICH THE BUYER MAY HAVE ARE LIMITED IN DURATION TO THE TIME THAT THE ORIGINAL CONSUMER BUYER OWNS THE PRODUCT. Some states do not allow limitations on how long an implied warranty lasts, so the above limitation may not apply to you. At its option, Saris will repair or replace, or refund the purchase price of, any Saris product which is defective or fails to conform with this warranty under normal use and service. To obtain service under this warranty, return the defective Saris Product or part, freight prepaid, to Saris at the address below. Please contact our customer service department prior to return to get a return authorization number. Repair or replacement of a defective Saris product or refund of the purchase price, shall be the sole remedy of the buyer under this warranty, and in no event shall Saris be liable for incidental or consequential damages, losses or expenses. Some states do not allow the exclusion or limitation of incidental or consequential damages, so the above limitation or exclusion may not apply to you. This warranty gives you specific legal rights, and you may also have other rights which vary from state to state.