



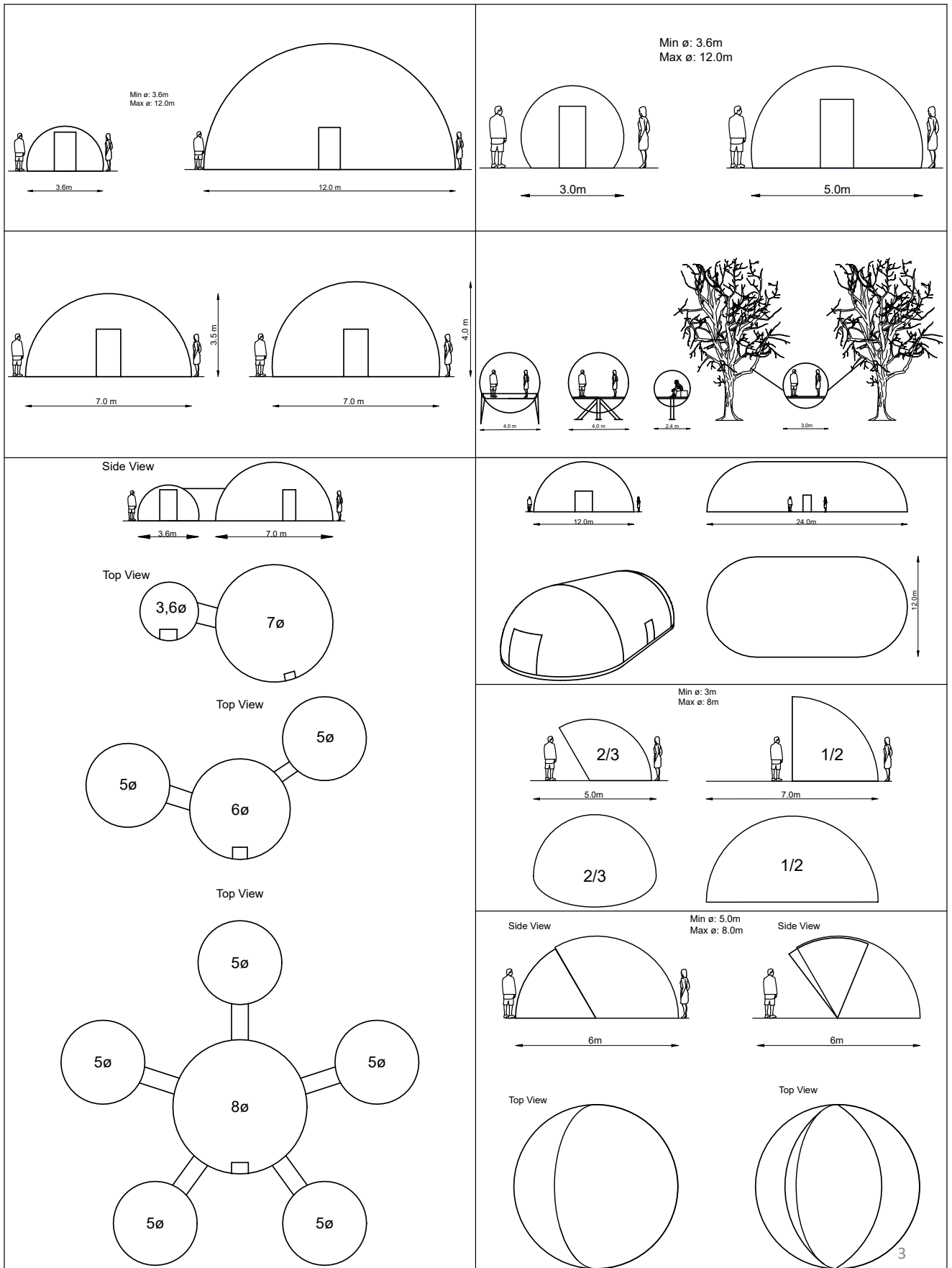
# AURA DOME™ ARCHITECTURE



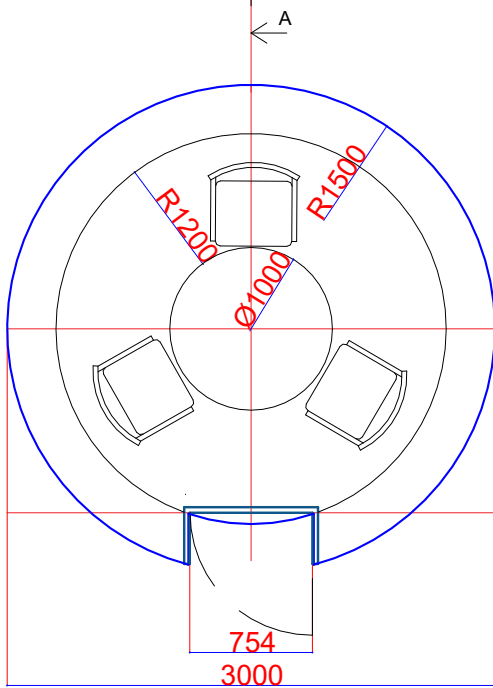
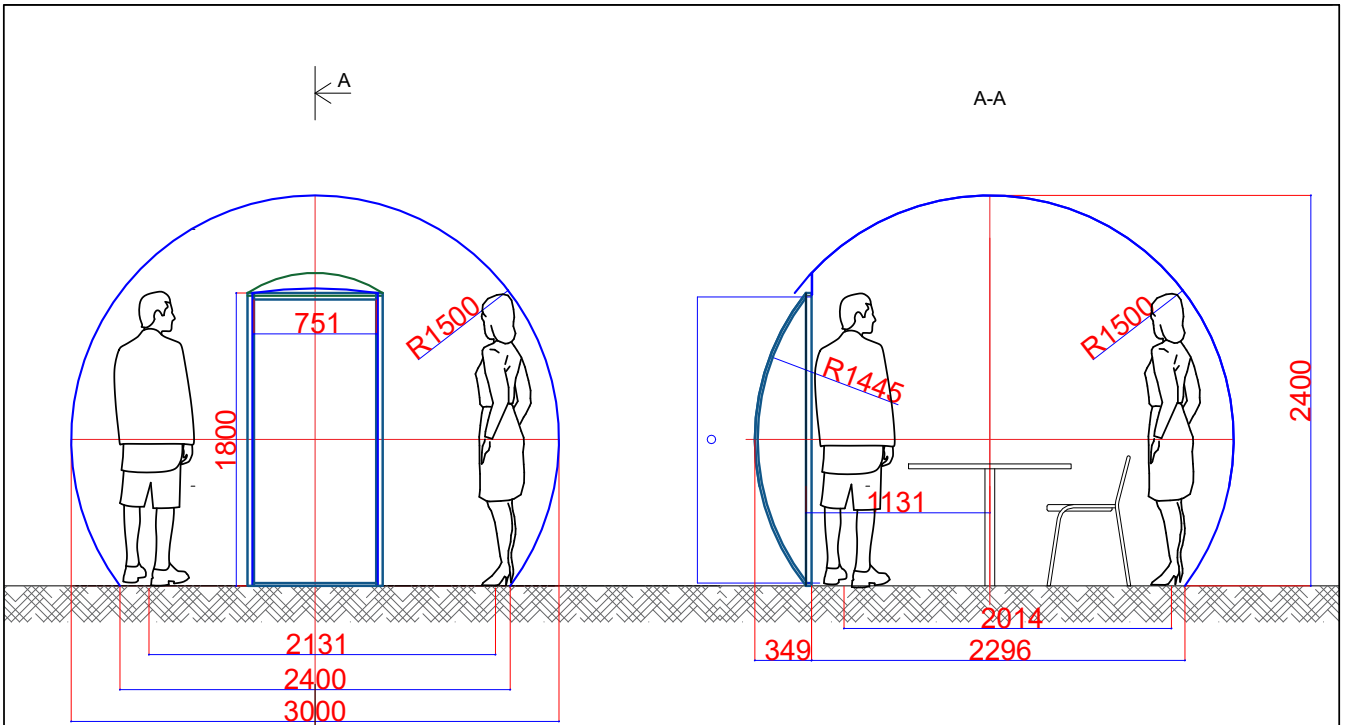
# Table of Contents

|   |                  |                                   |                  |
|---|------------------|-----------------------------------|------------------|
| <u>Aura Dome All Models</u>             | <u>3</u>         | <u>⅔ Aura Shelter D5 H2.5</u>     | <u>25</u>        |
| <u><b>Aura Bubble D3 H2.4</b></u>       | <u><b>4</b></u>  | <u>⅔ Aura Shelter D6 H3</u>       | <u>26</u>        |
| <u>Aura Bubble D3.5 H2.4</u>            | <u>5</u>         | <u>⅔ Aura Shelter D7 H3.5</u>     | <u>27</u>        |
| <u><b>Aura Dome D3.6 H2.14</b></u>      | <u><b>6</b></u>  | <u>⅔ Aura Shelter D8 H4</u>       | <u>28</u>        |
| <u>Aura Dome D4 H2.38</u>               | <u>7</u>         | <u>⅔ Aura Shelter D9 H4.5</u>     | <u>29</u>        |
| <u>Aura Dome D4.5 H2.6</u>              | <u>8</u>         | <u>⅔ Aura Shelter D10 H5</u>      | <u>30</u>        |
| <u>Aura Dome D5 H3</u>                  | <u>9</u>         | <u><b>Aura Glamping D6 H3</b></u> | <u><b>31</b></u> |
| <u>Aura Dome D6 H3</u>                  | <u>10</u>        | <u>Aura Glamping D7 H3.5</u>      | <u>32</u>        |
| <u>Aura Dome D7 H3.5</u>                | <u>11</u>        | <u>Aura Glamping D8 H4</u>        | <u>33</u>        |
| <u>Aura Dome D7 H4.15</u>               | <u>12</u>        | <u>Aura Glamping D9 H4.5</u>      | <u>34</u>        |
| <u>Aura Dome D8 H3.86</u>               | <u>13</u>        | <u>Aura Glamping D10 H5</u>       | <u>35</u>        |
| <u>Aura Dome D9 H4.5</u>                | <u>14</u>        | <u><b>Aura Tunnel L24 W12</b></u> | <u><b>36</b></u> |
| <u>Aura Dome D10 H5</u>                 | <u>15</u>        | <u>Aura Tunnel L4,87 W2,44</u>    | <u>37</u>        |
| <u>Aura Dome D11 H5.5</u>               | <u>16</u>        | <u>Aura Tunnel L13 W5</u>         | <u>38</u>        |
| <u>Aura Dome D12 H6</u>                 | <u>17</u>        | <u><b>Contact</b></u>             | <u><b>39</b></u> |
| <u><b>½ Aura Shelter D4.5 H2.67</b></u> | <u><b>18</b></u> |                                   |                  |
| <u>½ Aura Shelter D5 H2.5</u>           | <u>19</u>        |                                   |                  |
| <u>½ Aura Shelter D6 H3</u>             | <u>20</u>        |                                   |                  |
| <u>½ Aura Shelter D7 H3.5</u>           | <u>21</u>        |                                   |                  |
| <u>½ Aura Shelter D8 H4</u>             | <u>22</u>        |                                   |                  |
| <u>½ Aura Shelter D9 H4.5</u>           | <u>23</u>        |                                   |                  |
| <u>½ Aura Shelter D10 H4.5</u>          | <u>24</u>        |                                   |                  |

# Aura Dome All Models



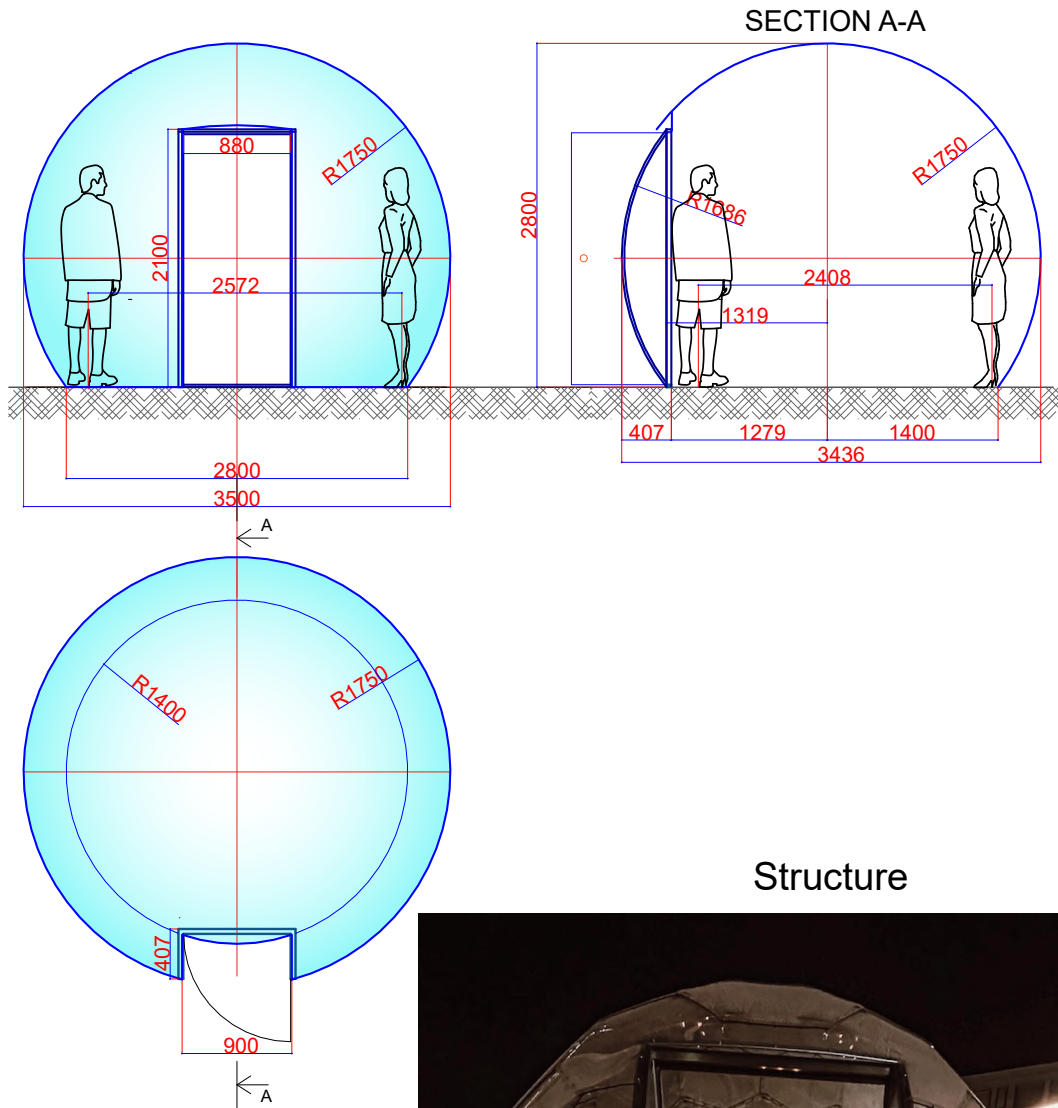
# Aura Bubble 3m Diameter 2,4m Height



Sphere surface- 22 m<sup>2</sup>  
 Floor area- 4,5 m<sup>2</sup>

Internal volume- 12 m<sup>3</sup>  
 Weight- 100 kg

# Aura Bubble 3,5m Diameter 2,8m Height



Structure

Sphere surface- 30,8 m<sup>2</sup>

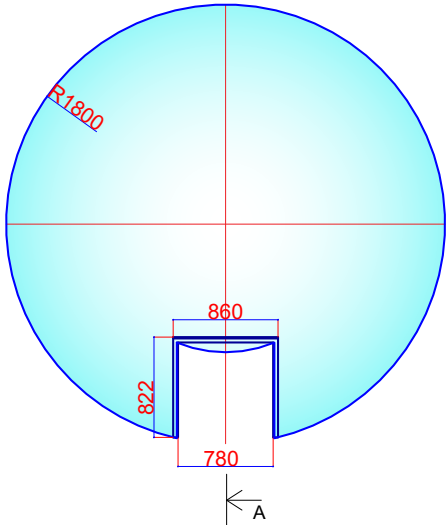
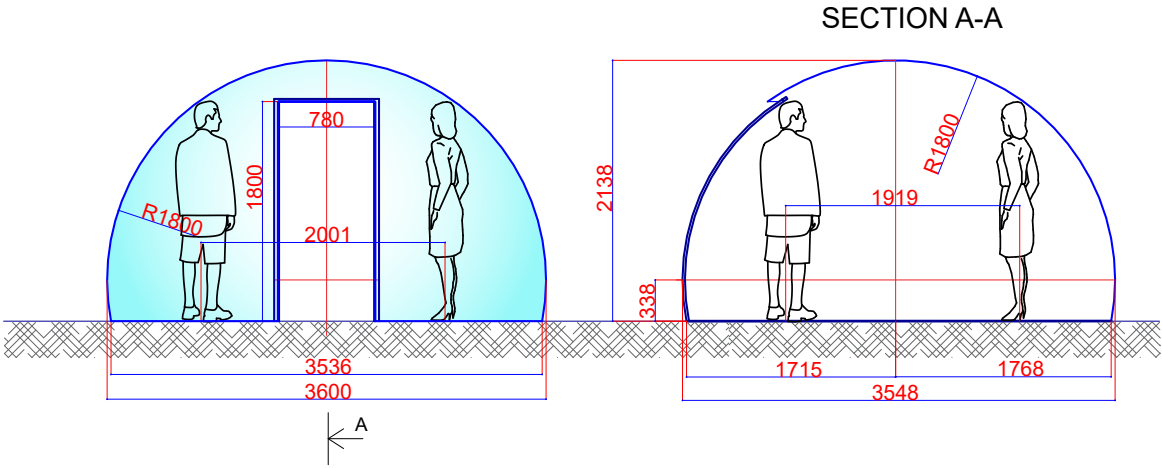
Floor area- 5,8 m<sup>2</sup>

Internal volume- 20 m<sup>3</sup>

Weight- 235 kg



# Aura Dome 3,6m Diameter 2,14m Height

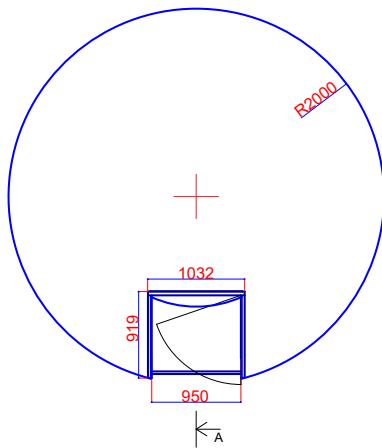
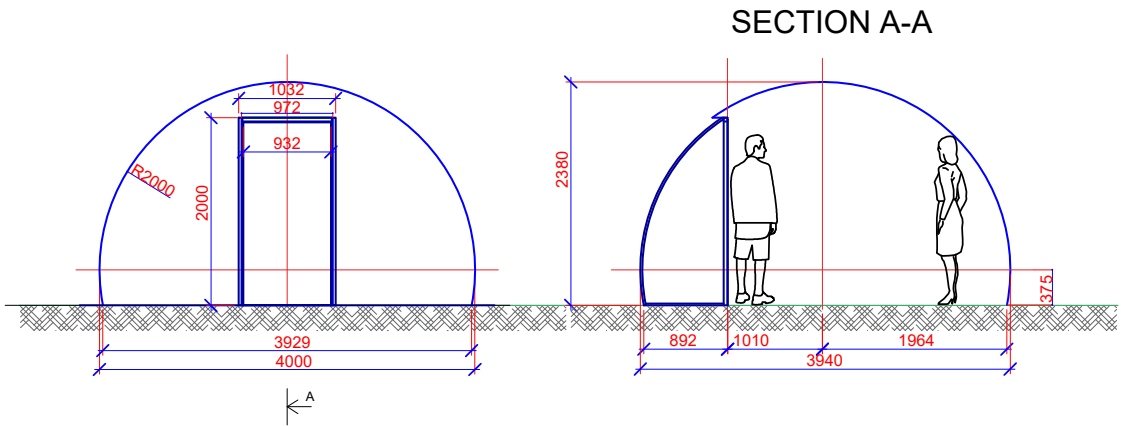


Sphere surface- 24 m<sup>2</sup>  
 Floor area- 9,8 m<sup>2</sup>  
 Internal volume- 16 m<sup>3</sup>  
 Weight- 120 kg

Structure



# Aura Dome 4m Diameter 2,38m Height



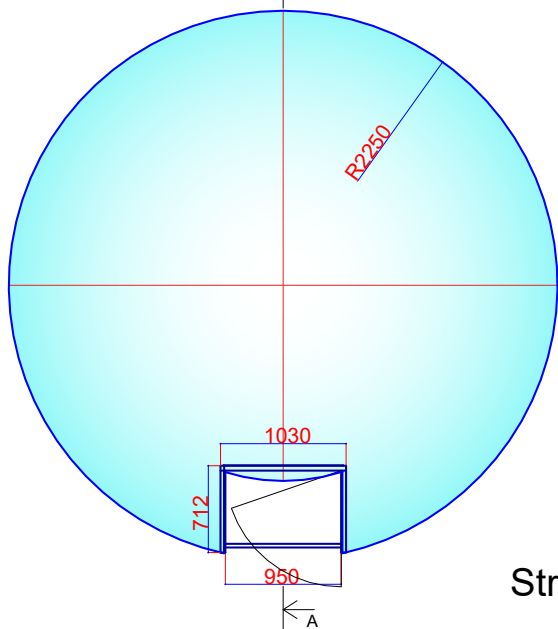
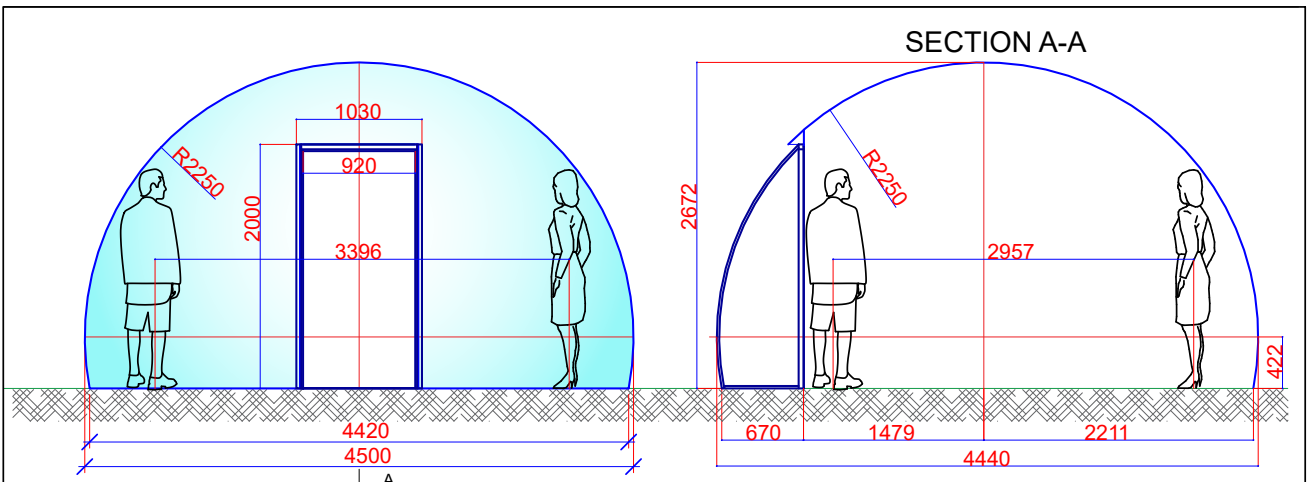
Sphere surface- 30 m<sup>2</sup>  
Floor area- 12 m<sup>2</sup>  
Internal volume- 20 m<sup>3</sup>  
Weight- 170 kg

## Structure



Aura Dome

# Aura Dome 4,5m Diameter 2,6m Height



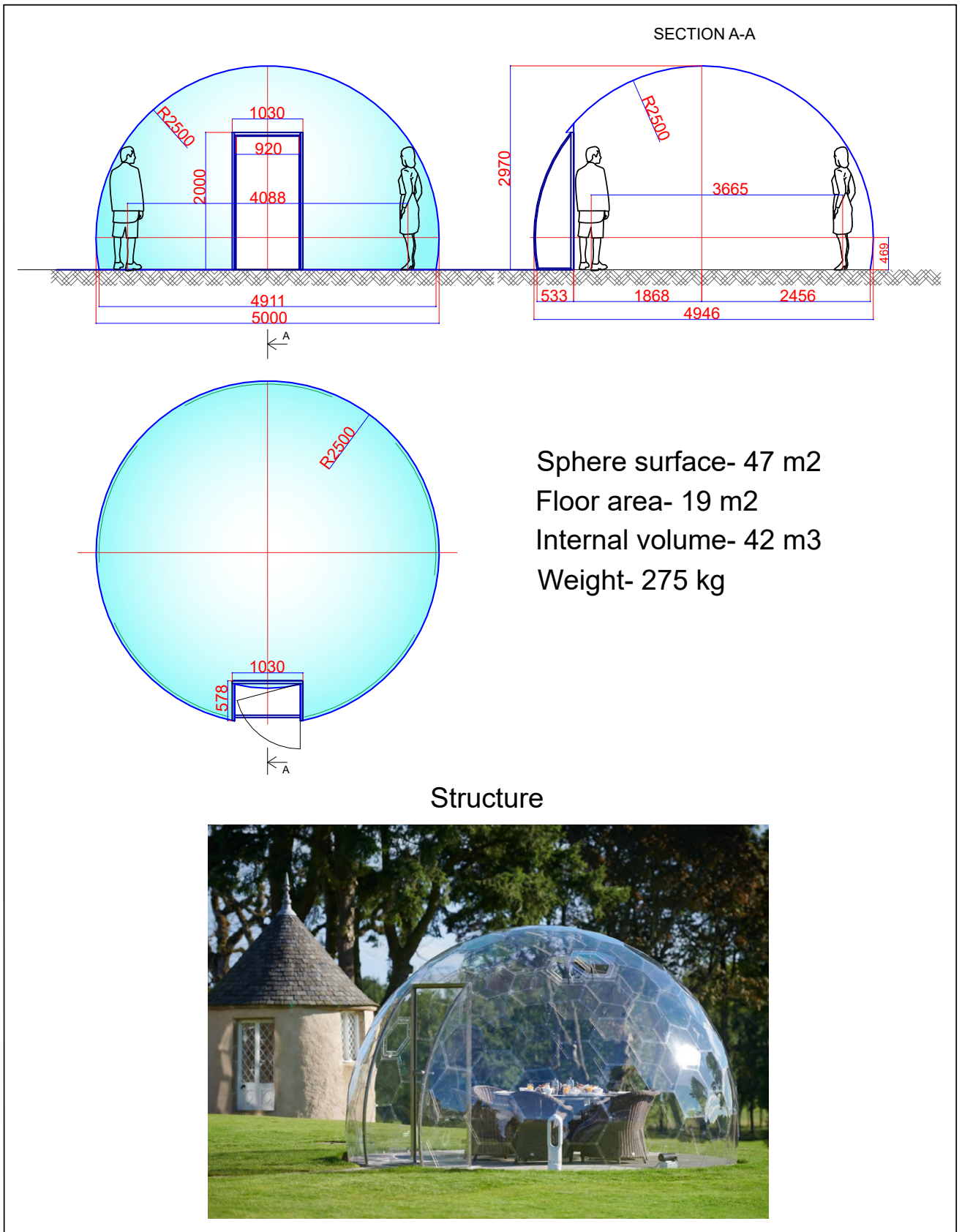
Sphere surface- 38 m<sup>2</sup>  
 Floor area- 15 m<sup>2</sup>  
 Internal volume- 30 m<sup>3</sup>  
 Weight- 265 kg

Structure

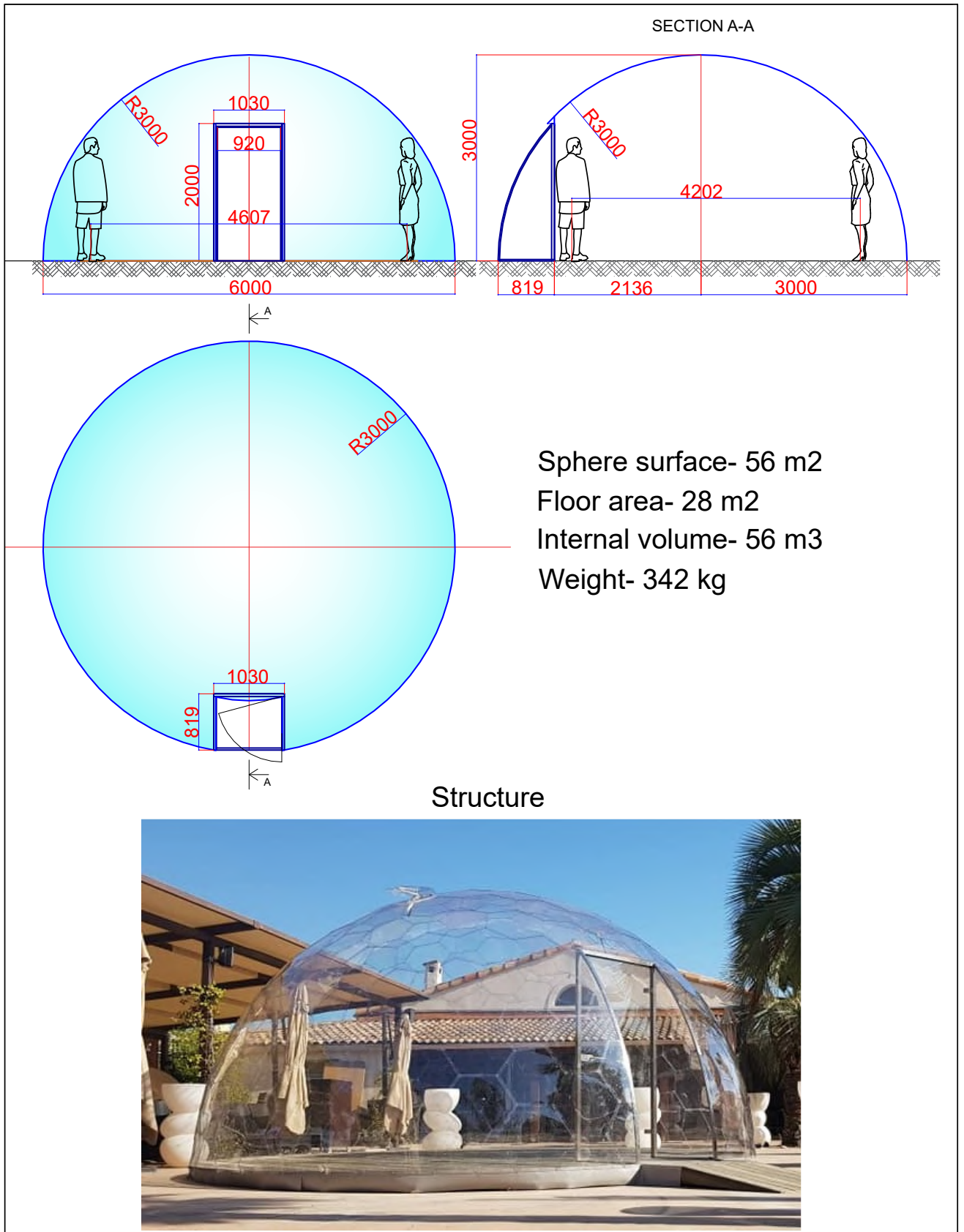




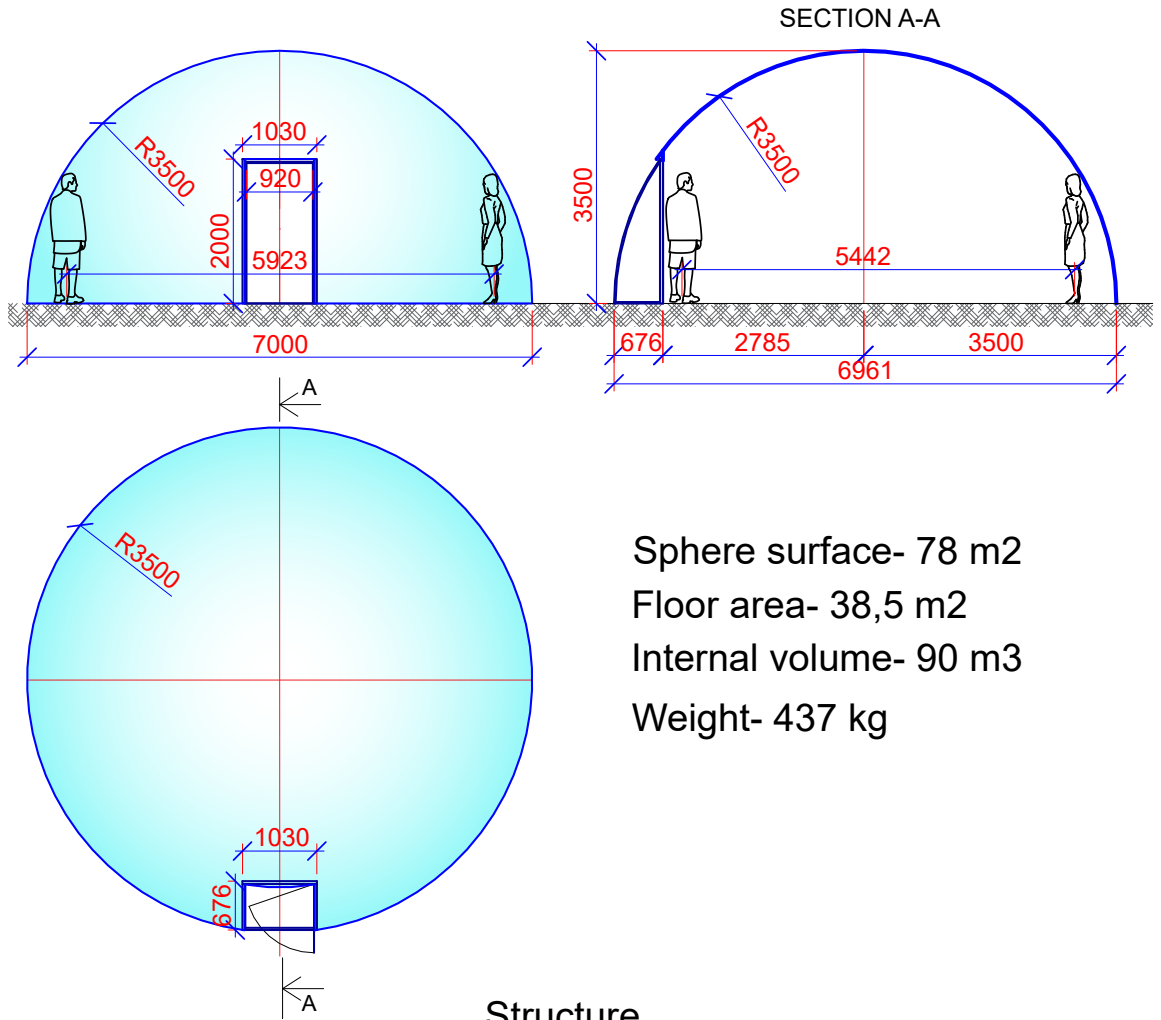
# Aura Dome 5m Diameter 3m Height



# Aura Dome 6m Diameter 3m Height



# Aura Dome 7m Diameter 3,5m Height

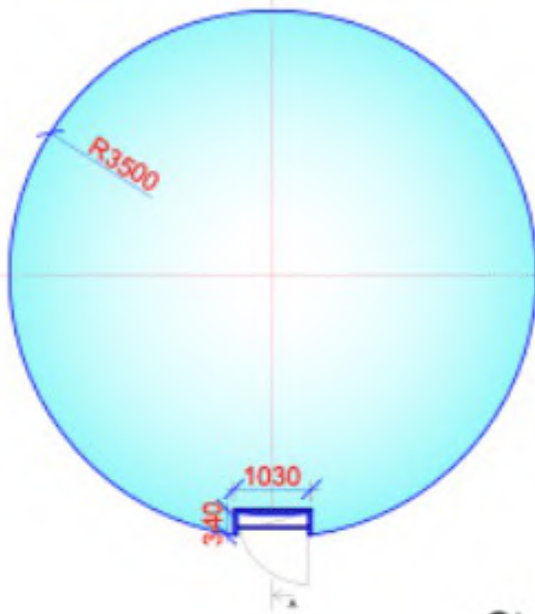
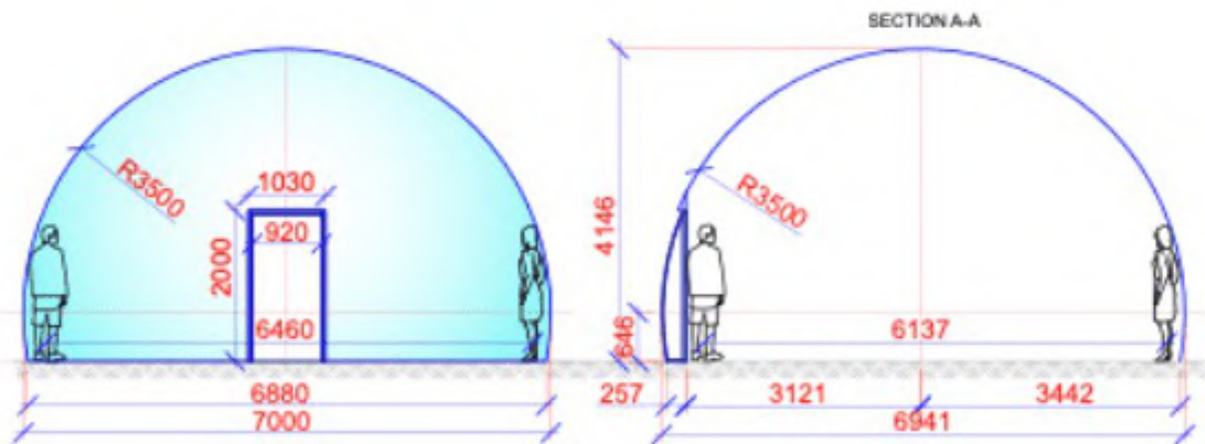


Sphere surface- 78 m<sup>2</sup>  
Floor area- 38,5 m<sup>2</sup>  
Internal volume- 90 m<sup>3</sup>  
Weight- 437 kg

Structure



# Aura Dome 7m Diameter 4,15m Height



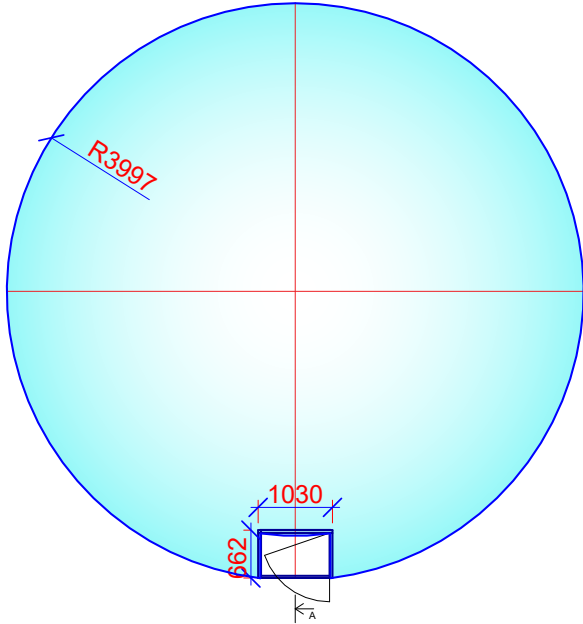
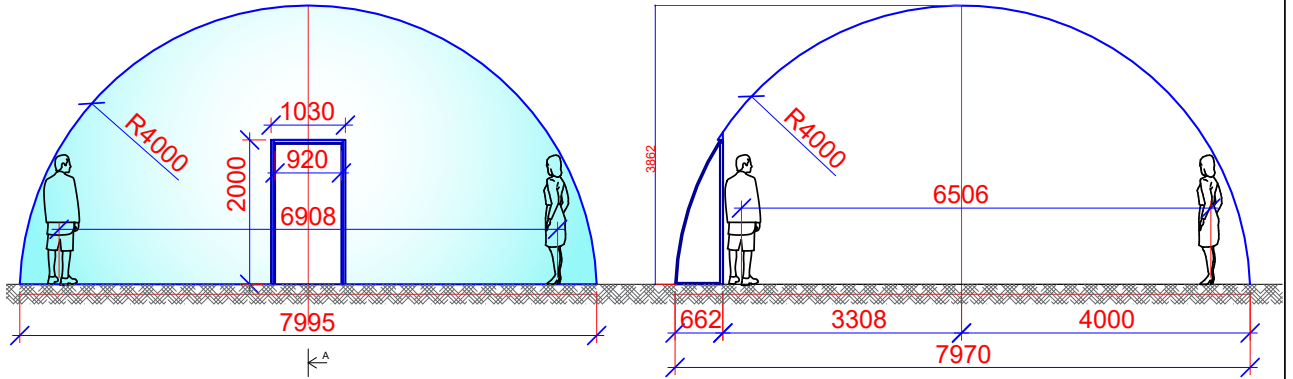
Sphere surface- 91 m<sup>2</sup>  
Floor area- 37 m<sup>2</sup>  
Internal volume-114 m<sup>3</sup>  
Weight- 624 kg

Structure



# Aura Dome 8m Diameter 3,86m Height

SECTION A-A

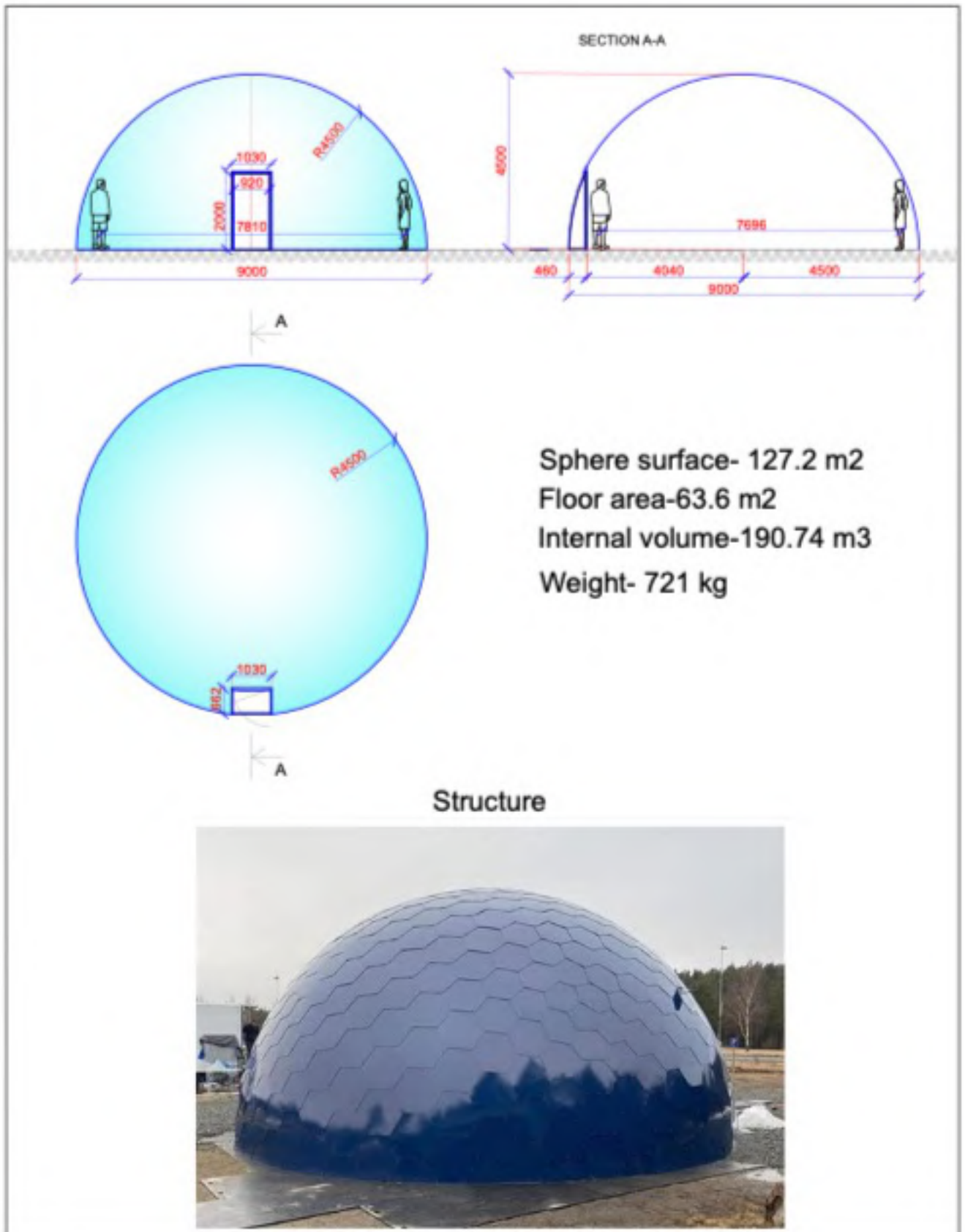


Sphere surface- 97 m<sup>2</sup>  
Floor area-50 m<sup>2</sup>  
Internal volume-127 m<sup>3</sup>  
Weight- 660 kg

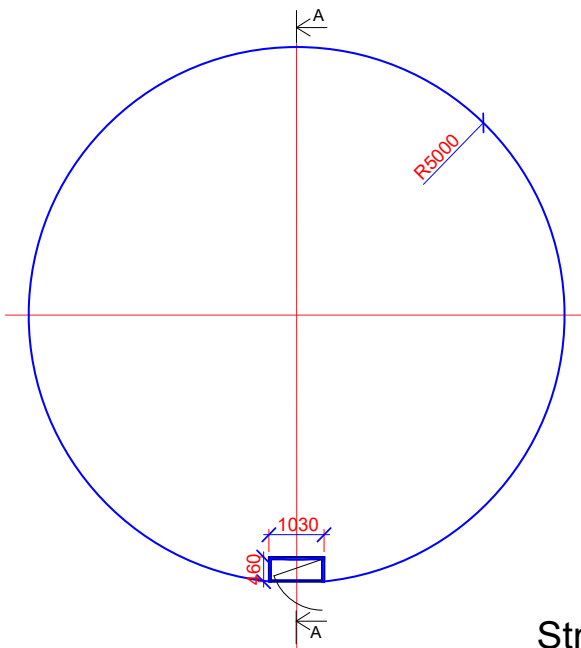
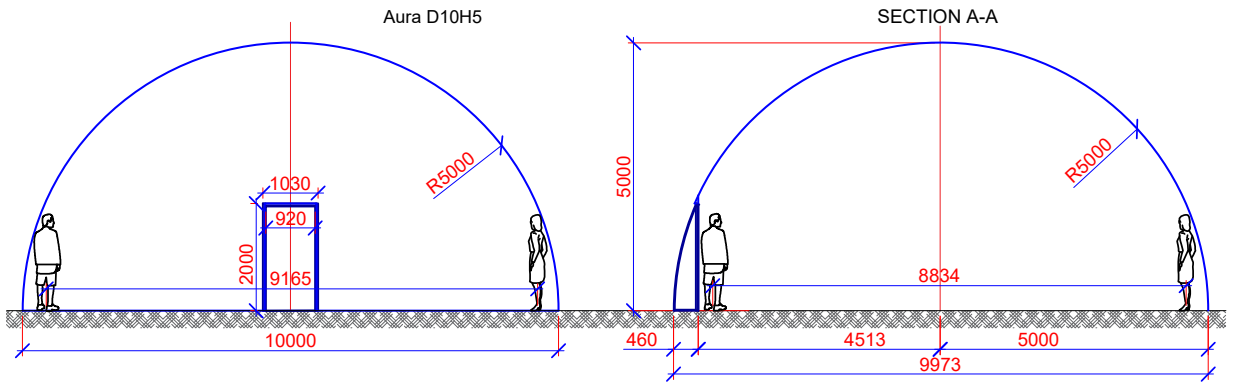
Structure



# Aura Dome 9m Diameter 4,5m Height



# Aura Dome 10m Diameter 5m Height

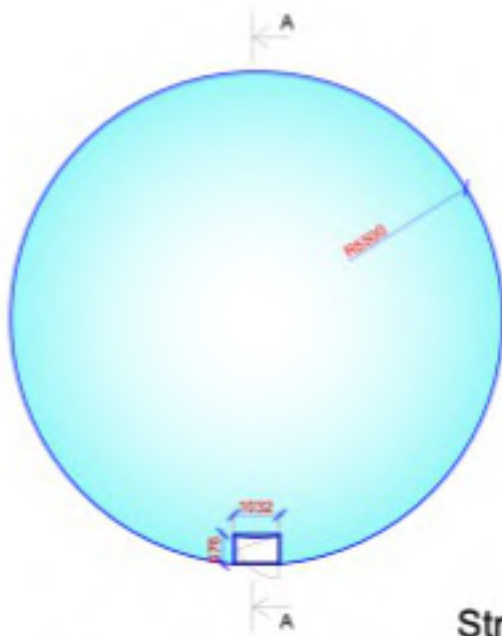
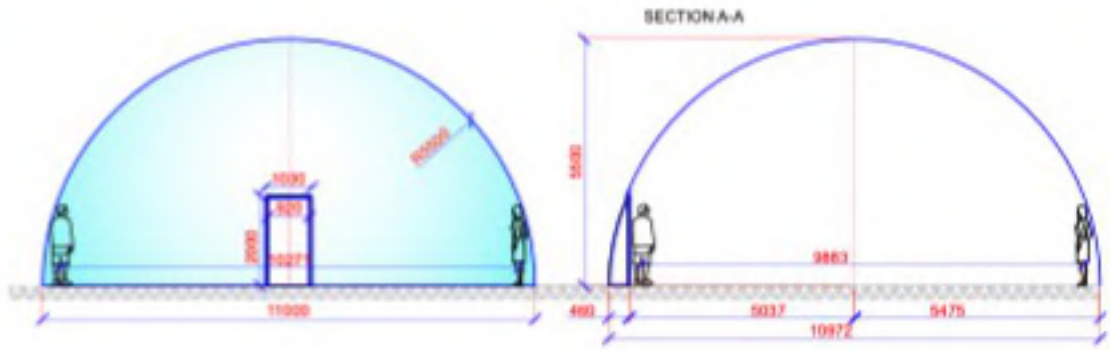


Sphere surface- 157 m<sup>2</sup>  
Floor area-78 m<sup>2</sup>  
Internal volume-262 m<sup>3</sup>  
Weight- 1300 kg

Structure



# Aura Dome 11m Diameter 5,5m Height



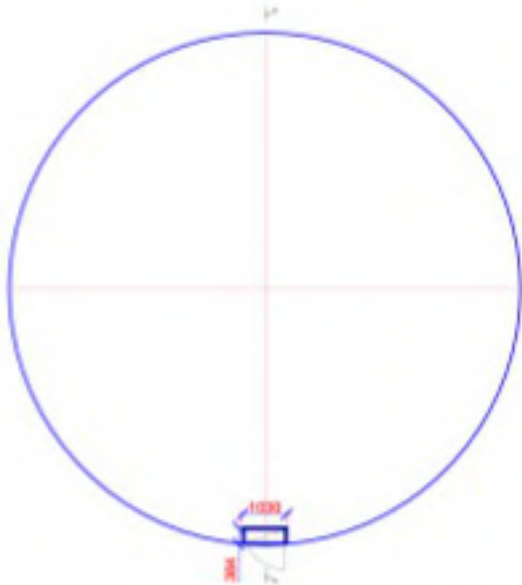
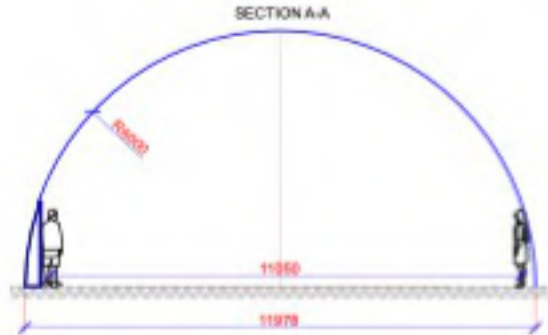
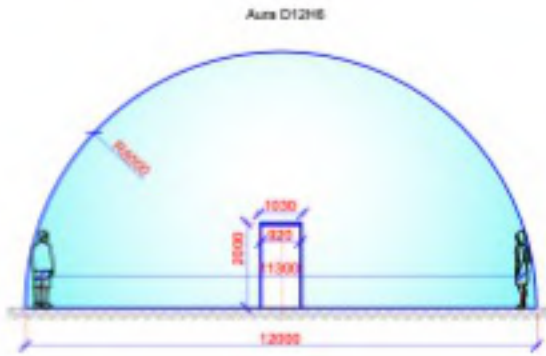
Sphere surface- 190 m<sup>2</sup>  
Floor area-95 m<sup>2</sup>  
Internal volume-348.26 m<sup>3</sup>  
Weight- 1555 kg

Structure





# Aura Dome 12m Diameter 6m Height



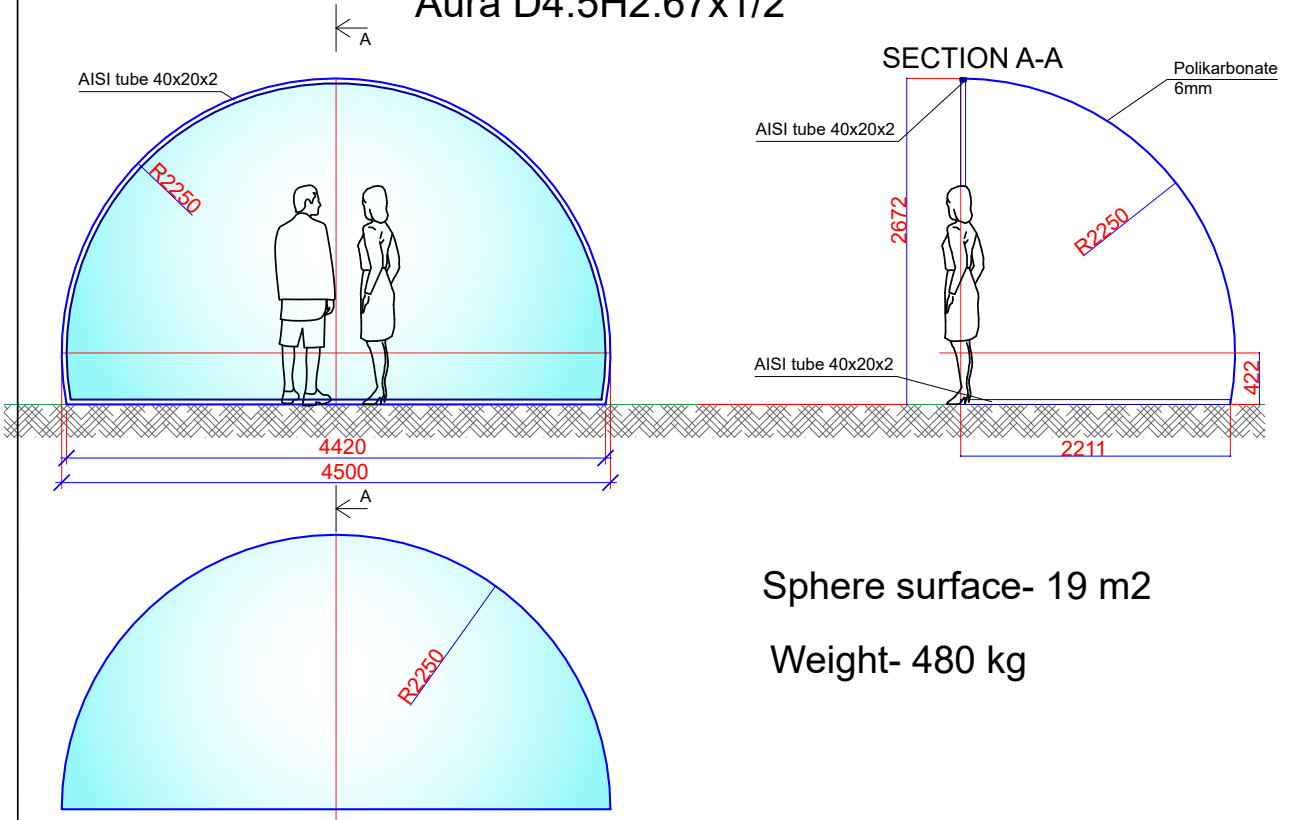
Sphere surface- 226 m<sup>2</sup>  
Floor area-113 m<sup>2</sup>  
Internal volume-452 m<sup>3</sup>  
Weight- 2000 kg

Structure



# ½ Aura Shelter 4.5m Diameter 2,67m Height

Aura D4.5H2.67x1/2



Sphere surface- 19 m2

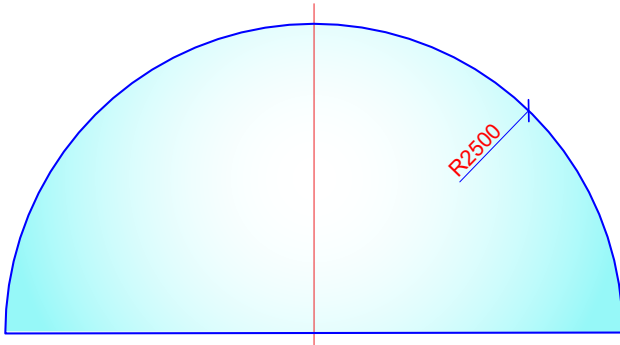
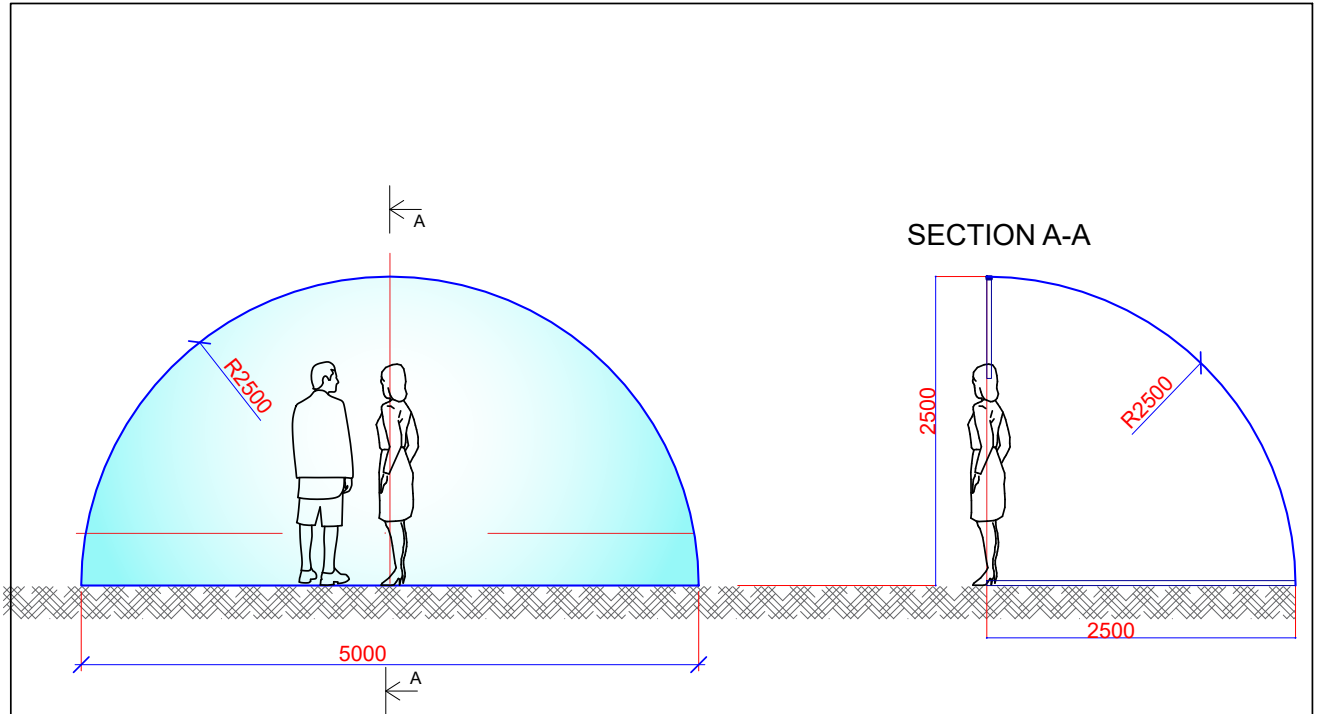
Weight- 480 kg

Structure

Aura D4,5H2,67F12T3  
in Japan



# ½ Aura Shelter 5m Diameter 2,5m Height



Sphere surface- 19.65 m<sup>2</sup>

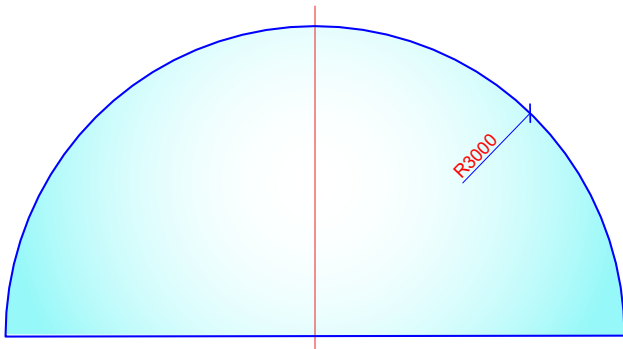
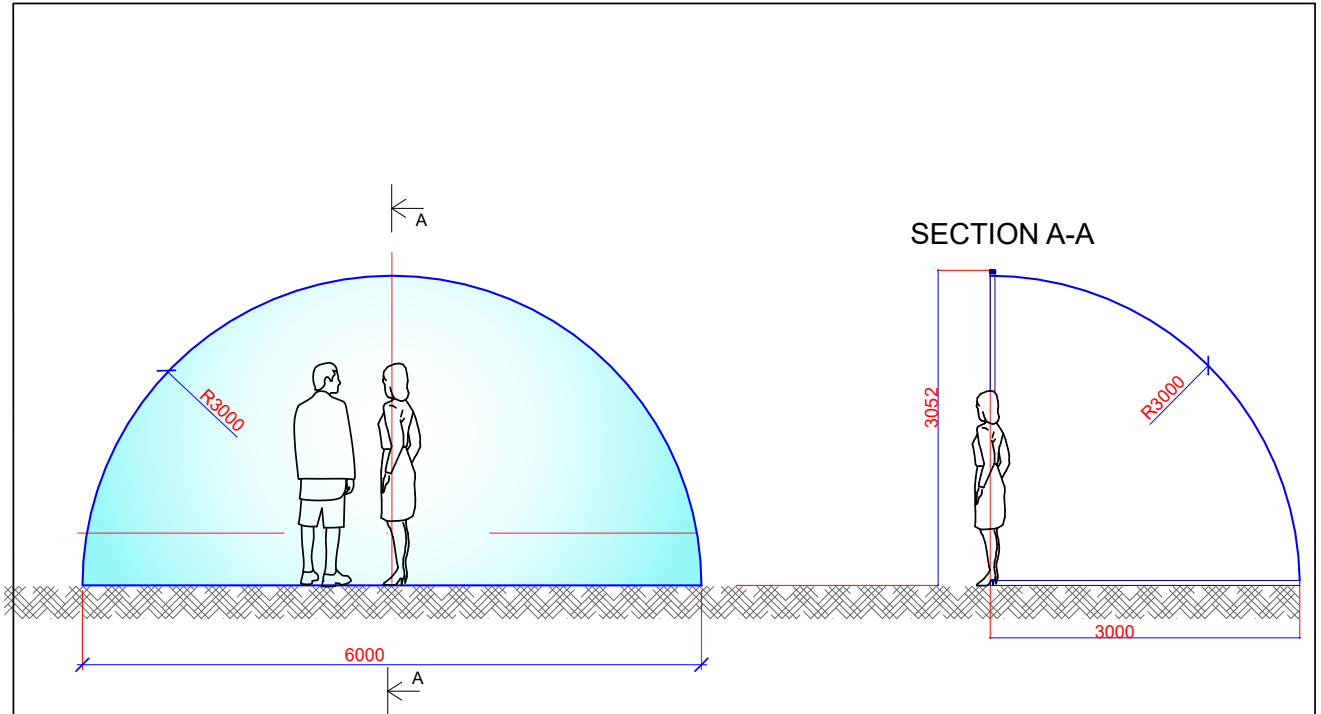
Floor area- 9.8 m<sup>2</sup>

Weight- 93 kg

Structure



# ½ Aura Shelter 6m Diameter 3m Height

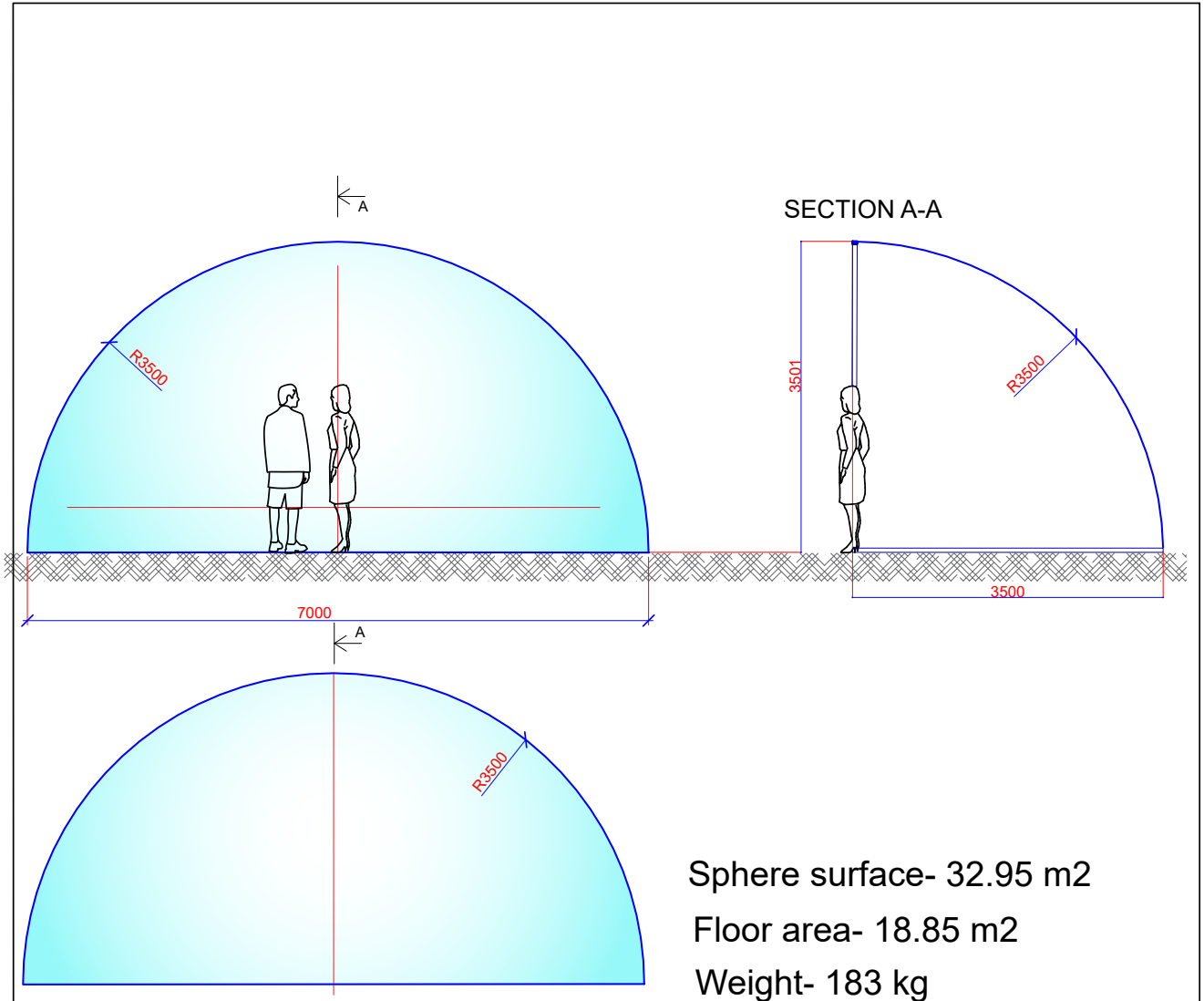


Sphere surface- 28.25 m<sup>2</sup>  
Floor area- 14.15 m<sup>2</sup>  
Weight- 134.5 kg

Structure



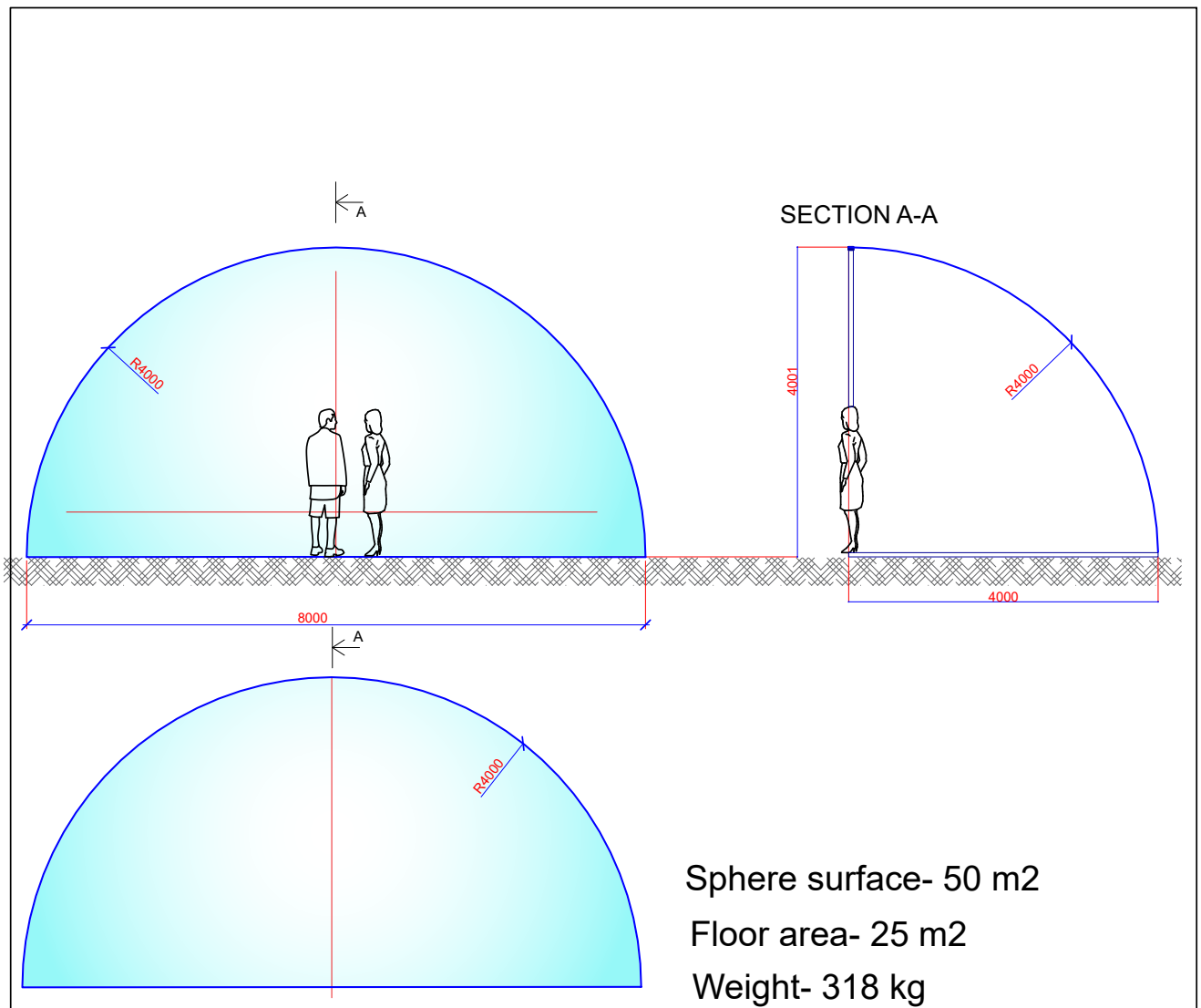
# ½ Aura Shelter 7m Diameter 3,5m Height



Structure



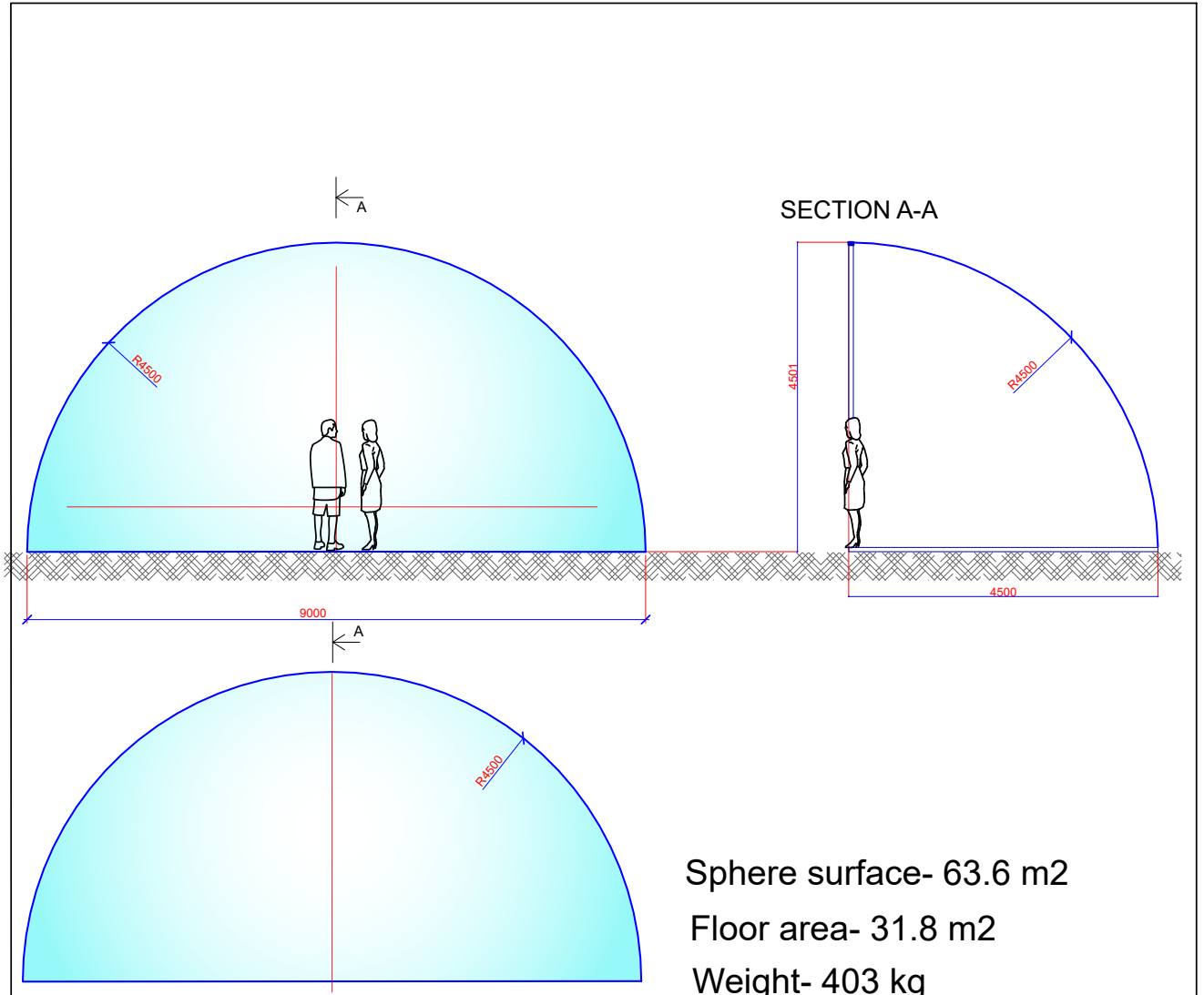
# ½ Aura Shelter 8m Diameter 4m Height



Structure



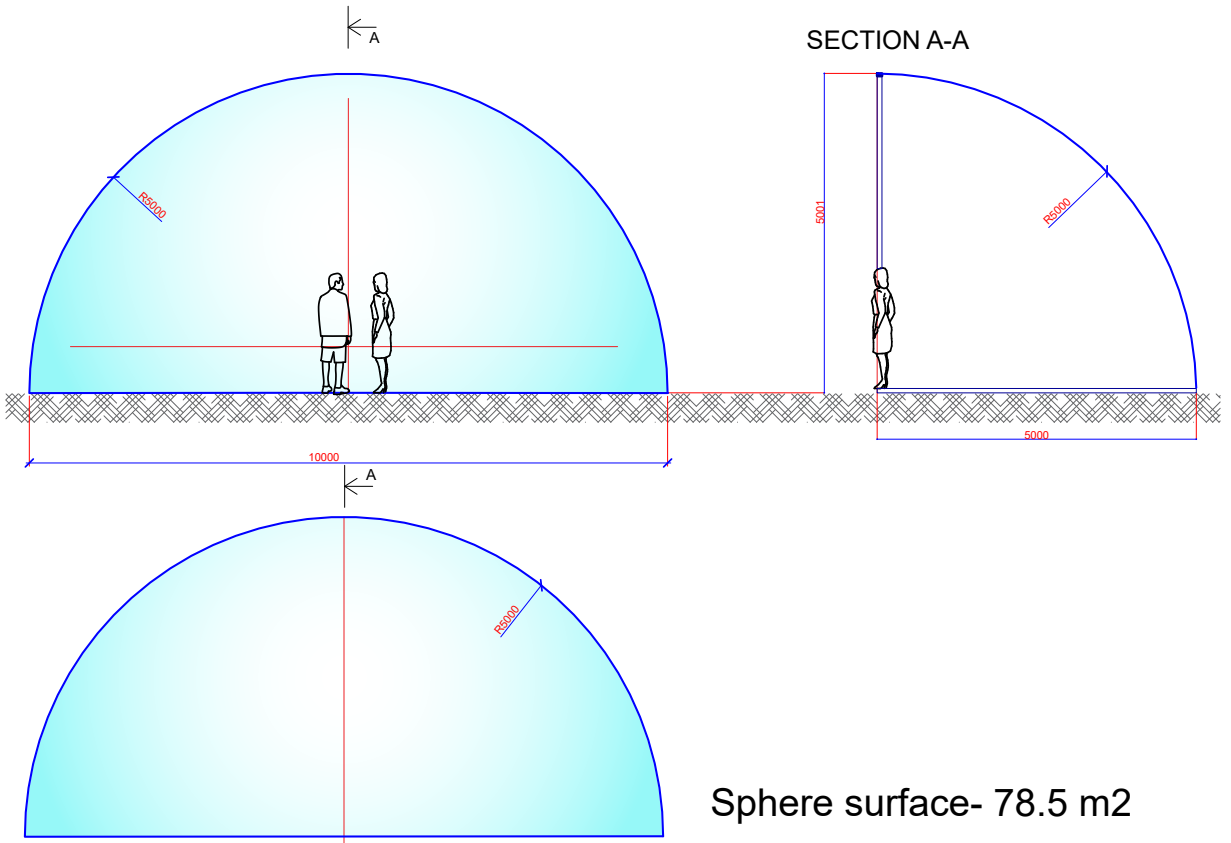
# ½ Aura Shelter 9m Diameter 4.5m Height



Structure



# ½ Aura Shelter 10m Diameter 5m Height



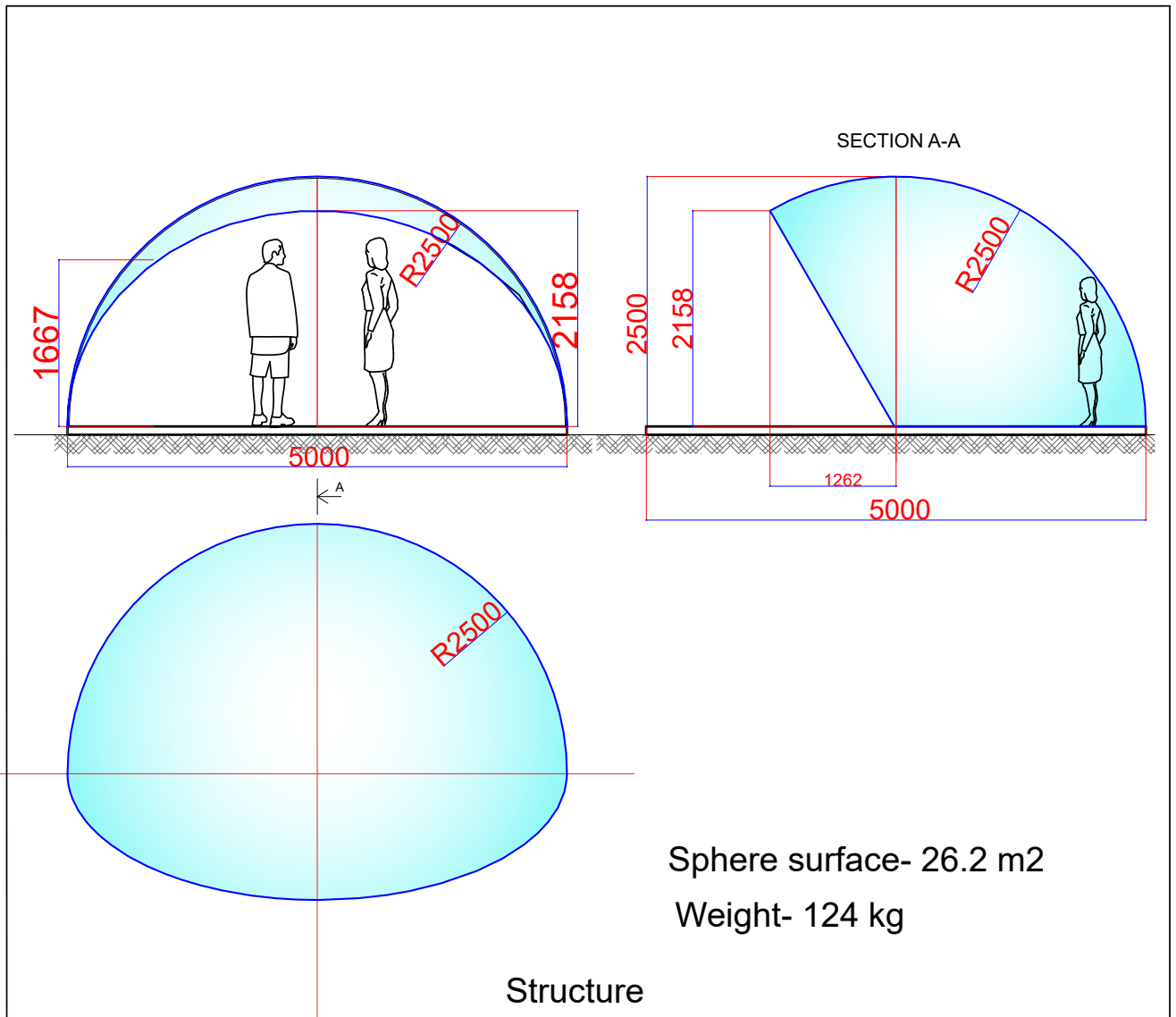
Sphere surface- 78.5 m<sup>2</sup>  
Floor area- 39.25 m<sup>2</sup>  
Weight- 746 kg

Structure

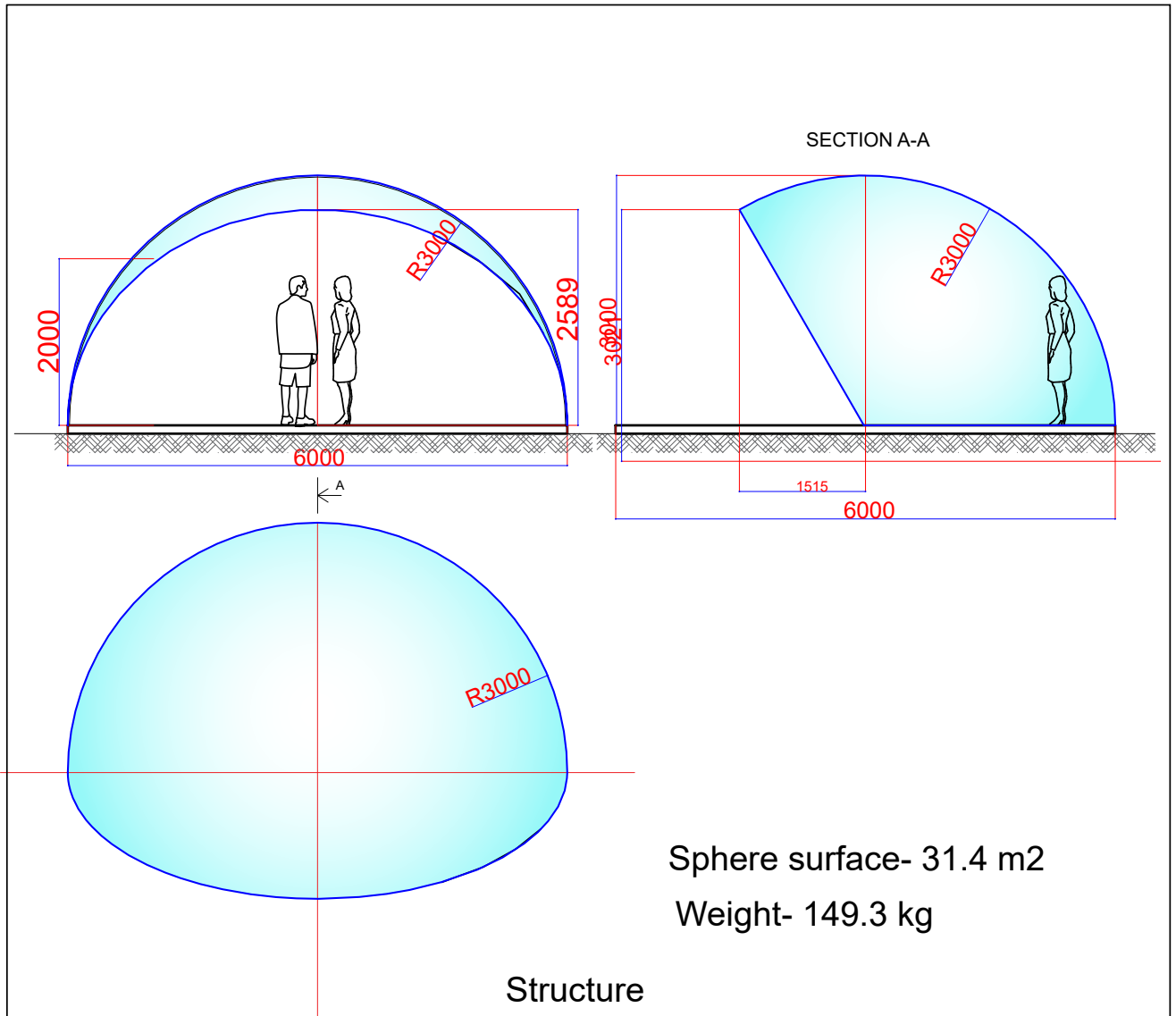




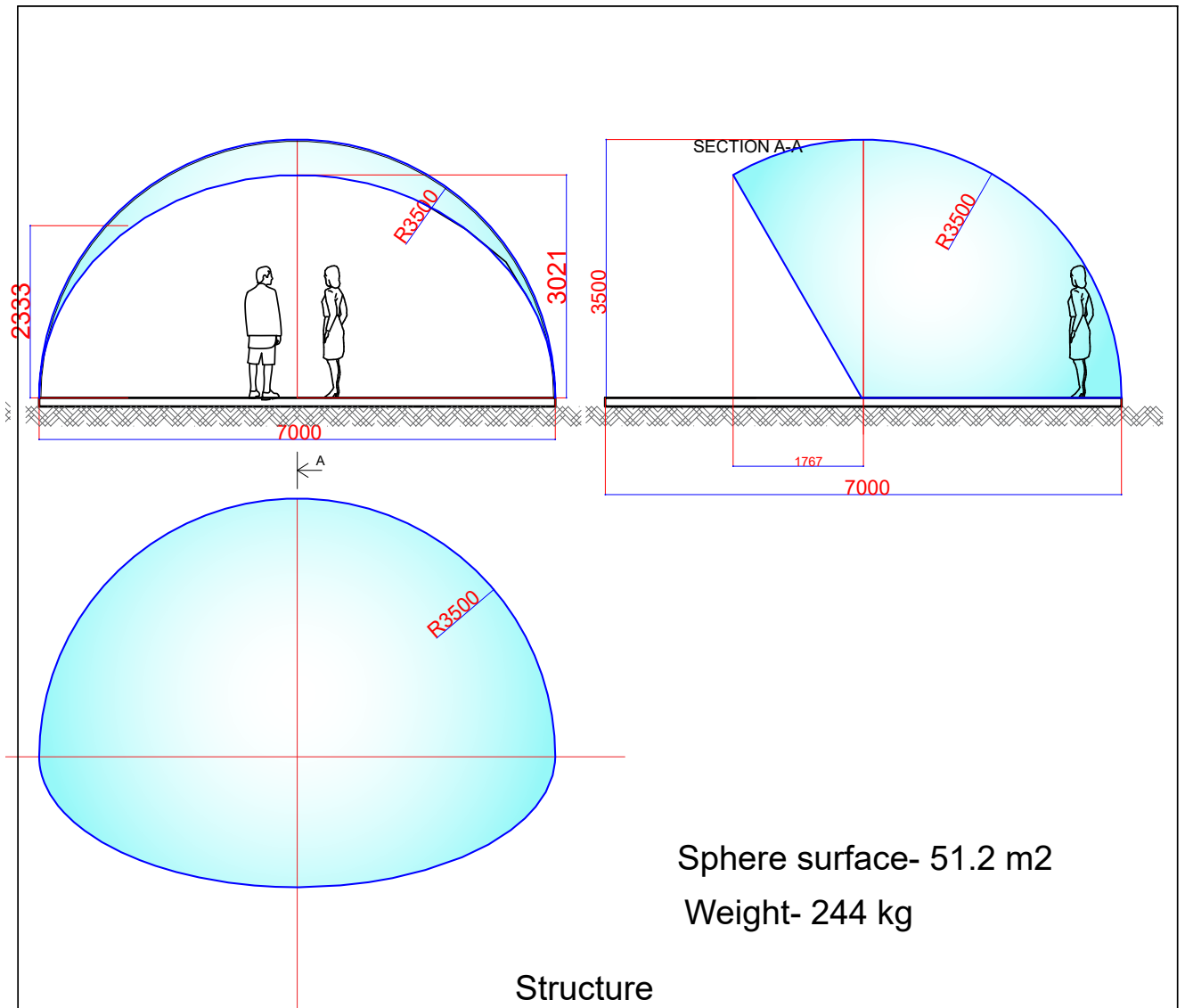
# 2/3 Aura Shelter 5m Diameter 2,5m Height



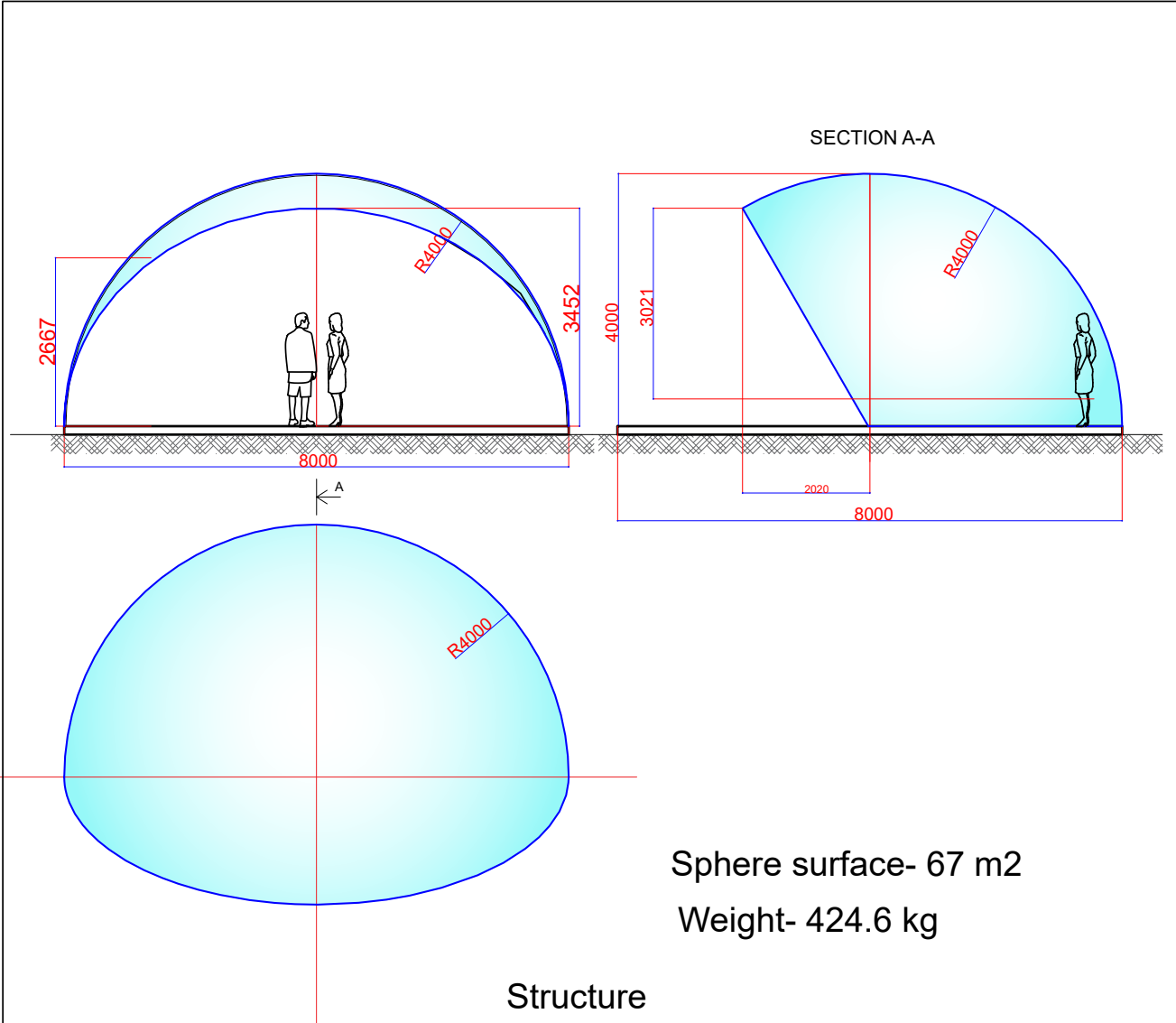
# 2/3 Aura Shelter 6m Diameter 3m Height



# 2/3 Aura Shelter 7m Diameter 3.5m Height

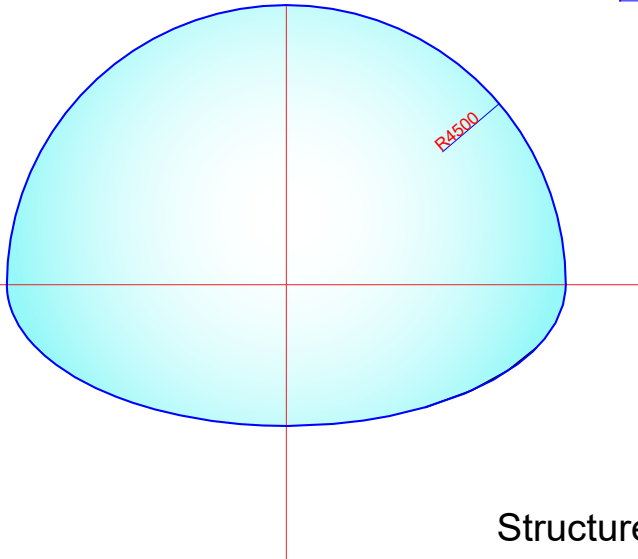
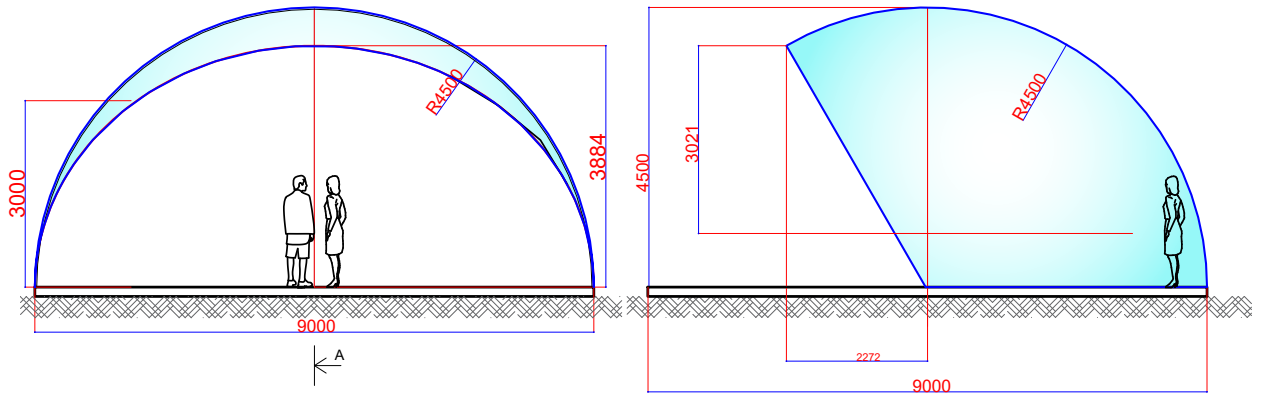


# 2/3 Aura Shelter 8m Diameter 4m Height



# 2/3 Aura Shelter 9m Diameter 4.5m Height

SECTION A-A



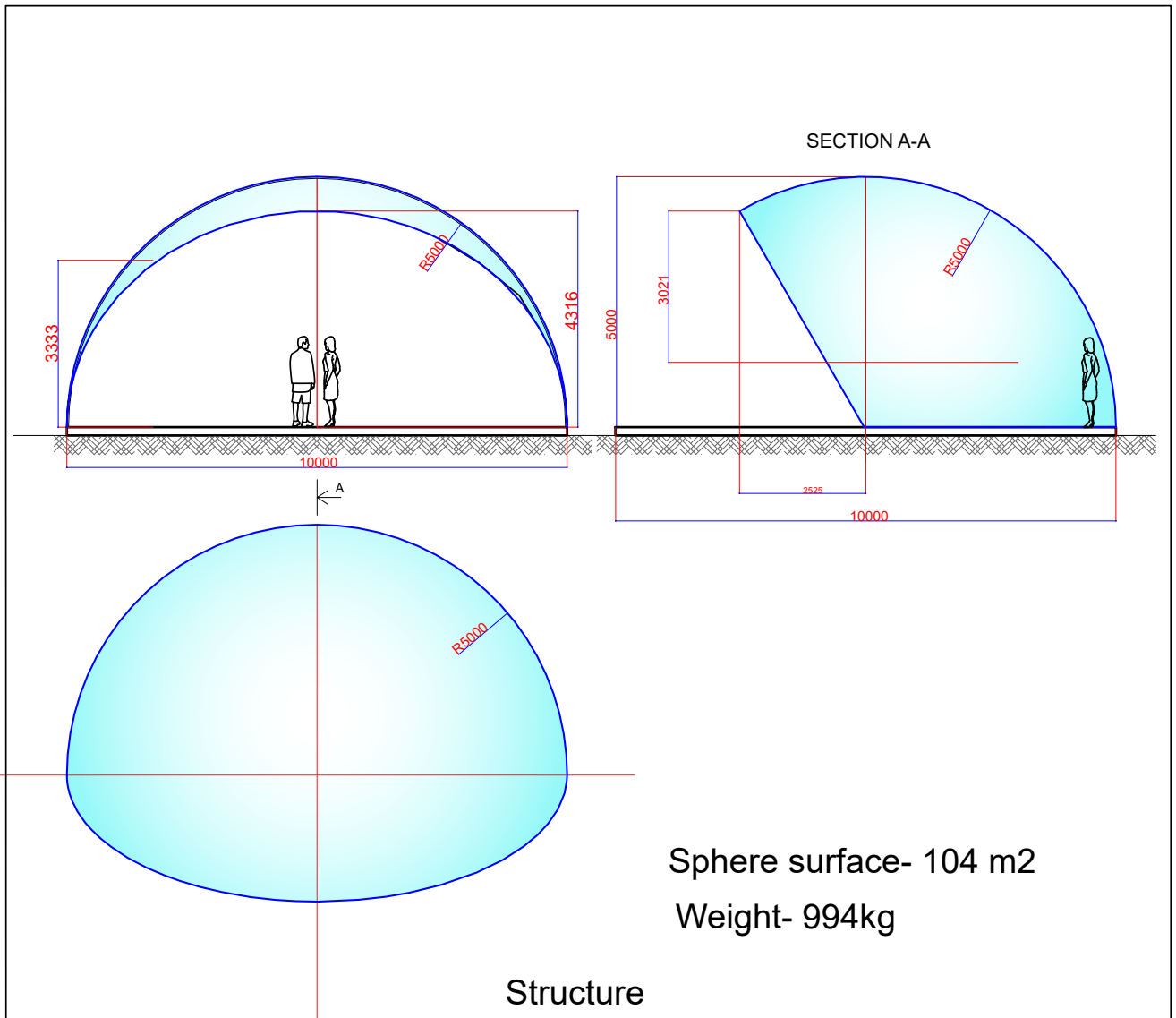
Sphere surface- 75 m<sup>2</sup>

Weight- 477kg

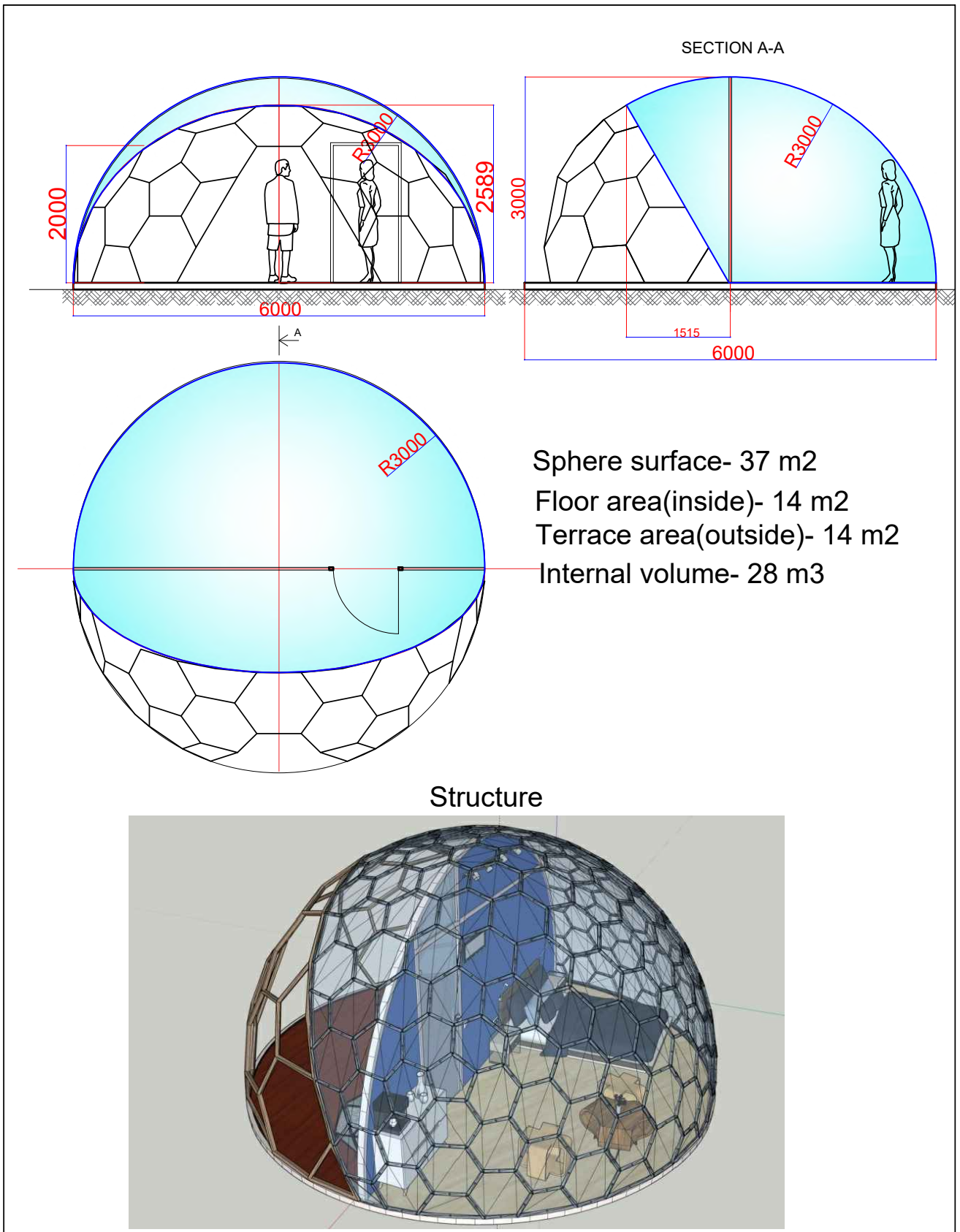
Structure



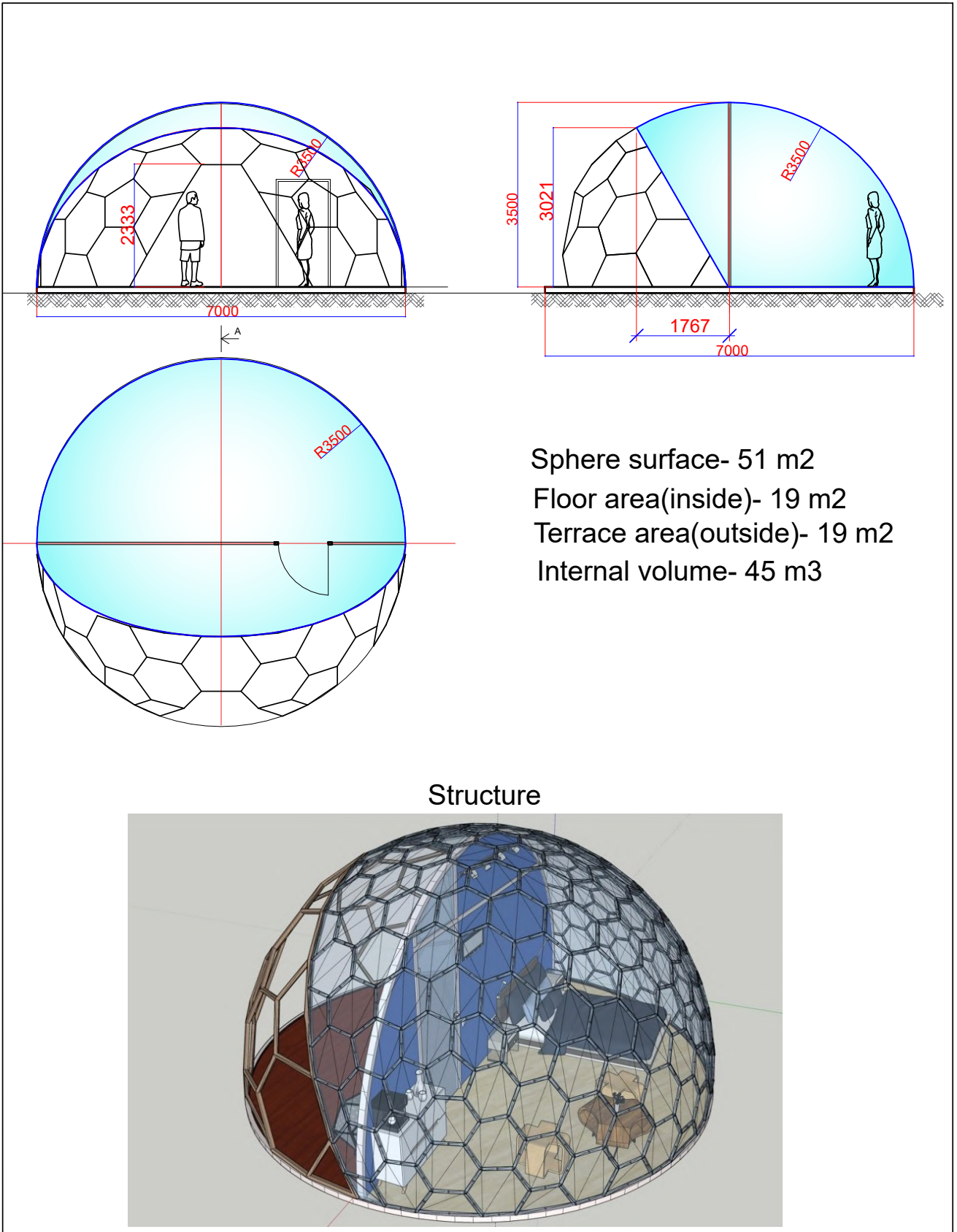
# 2/3 Aura Shelter 10m Diameter 5m Height



# Aura Glamping 6m Diameter 3m Height



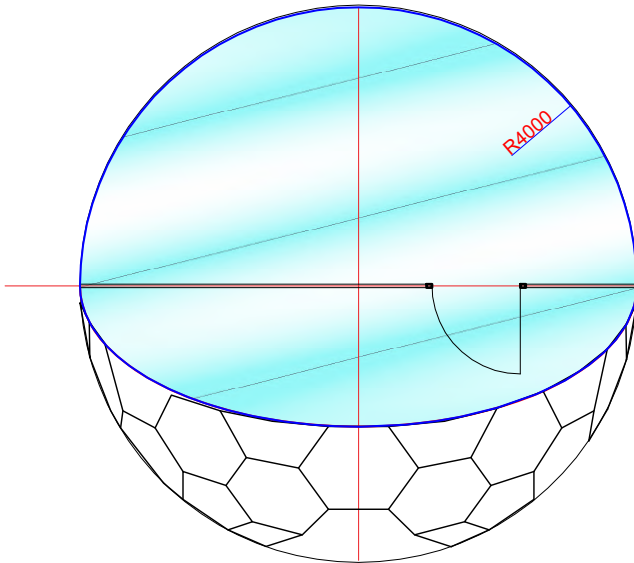
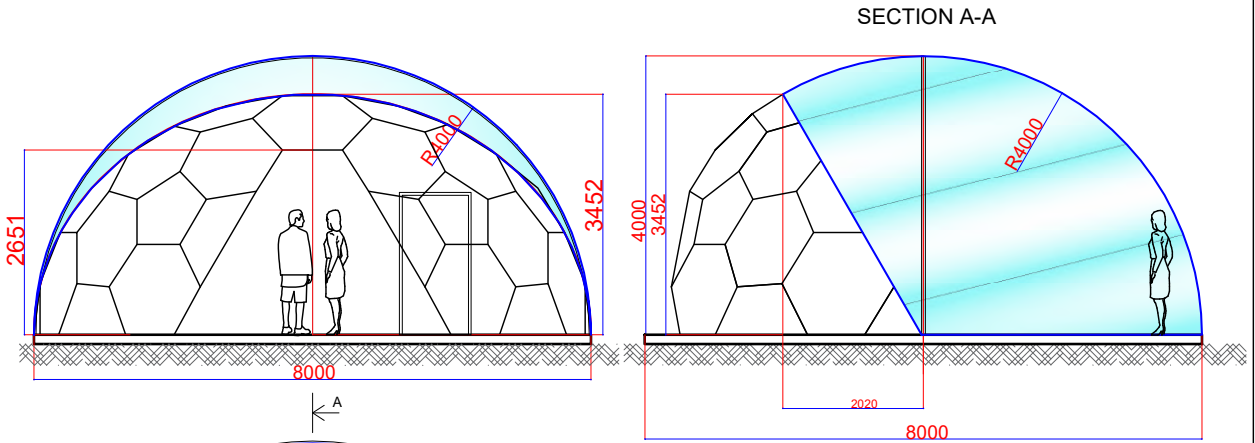
# Aura Glamping 7m Diameter 3,5m Height



Structure

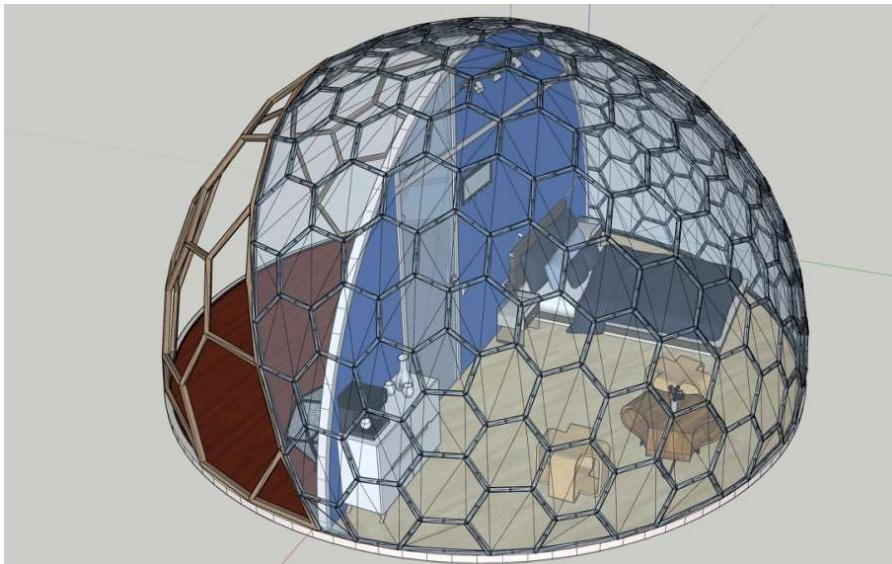


# Aura Glamping 8m Diameter 4m Height

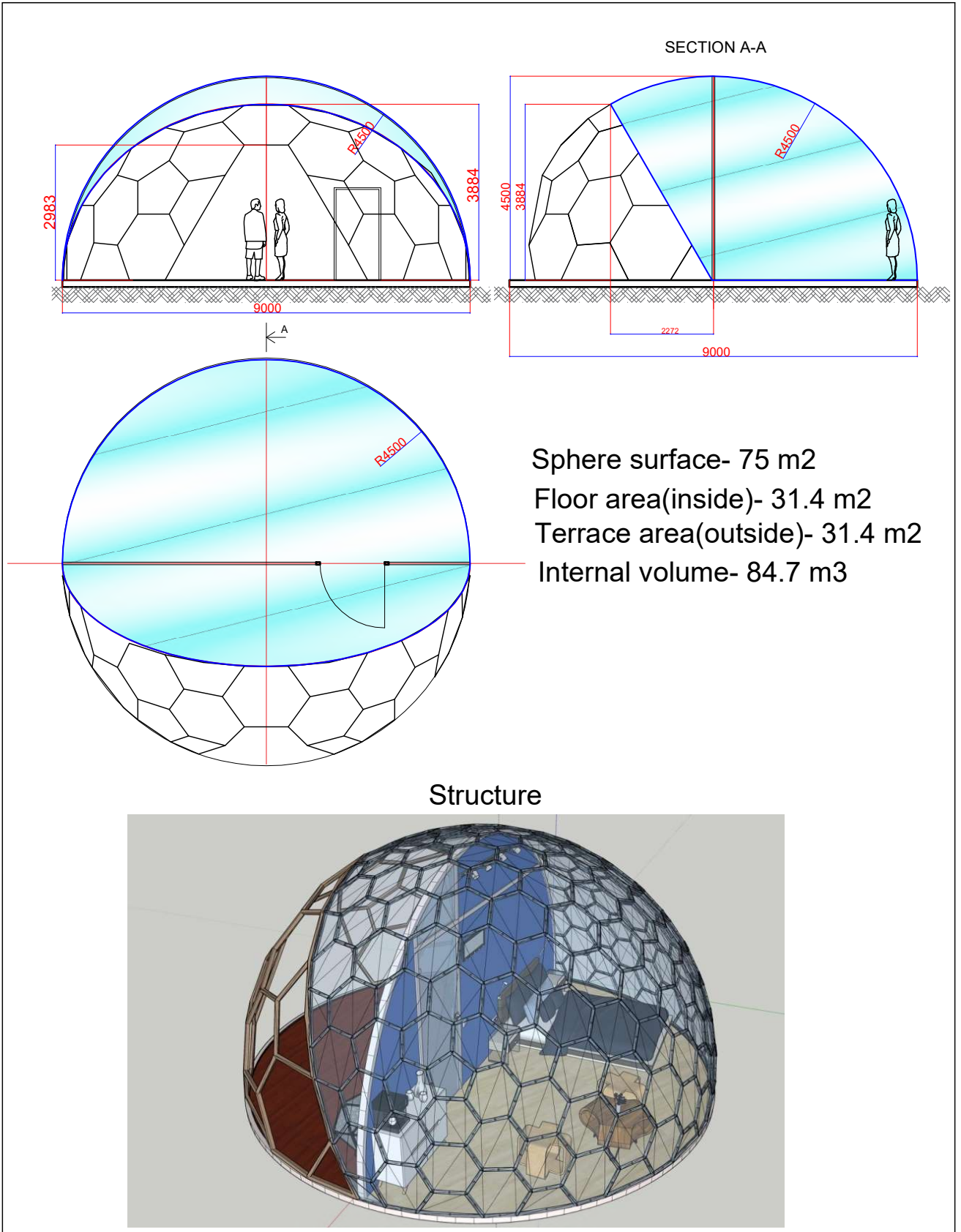


Sphere surface- 66.6 m<sup>2</sup>  
Floor area(inside)- 25 m<sup>2</sup>  
Terrace area(outside)- 25 m<sup>2</sup>  
Internal volume- 66.5 m<sup>3</sup>

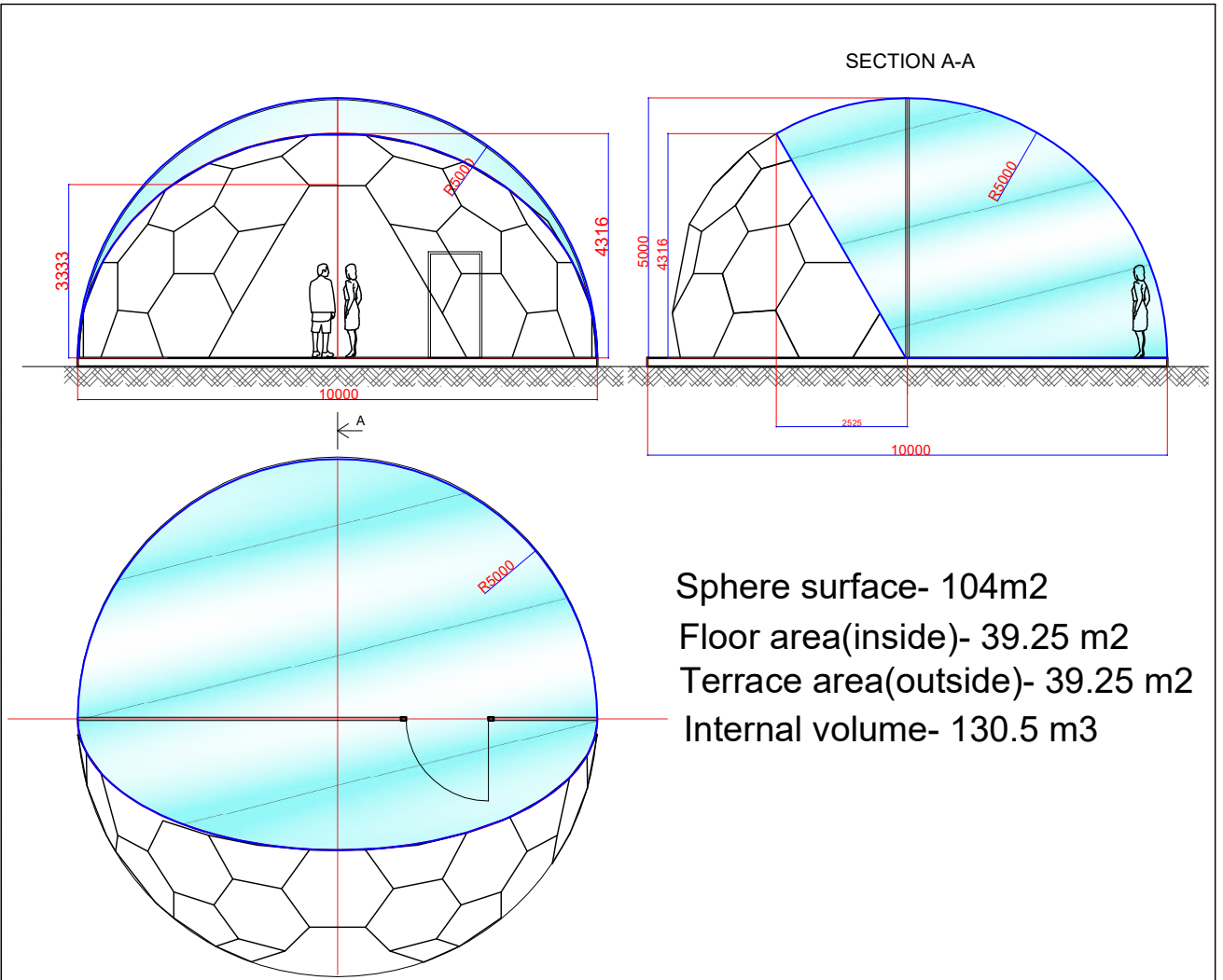
## Structure



# Aura Glamping 9m Diameter 4,5m Height

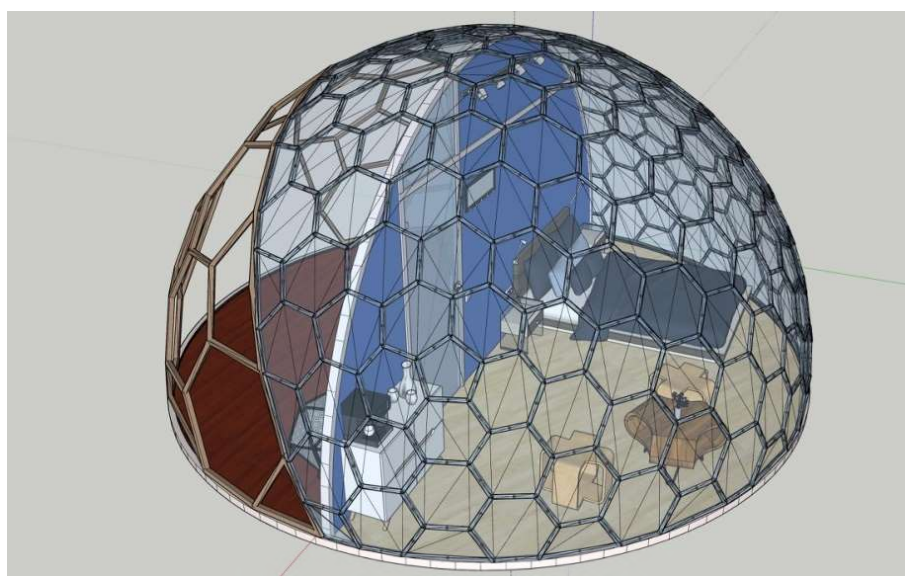


# Aura Glamping 10m Diameter 5m Height

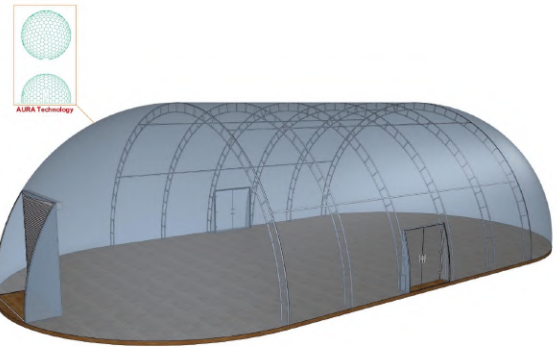
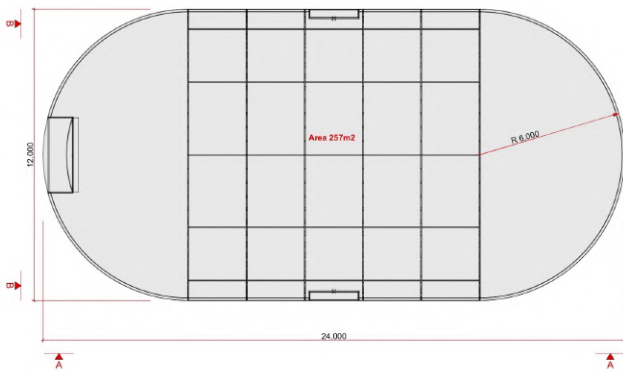
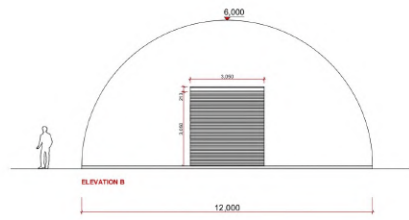
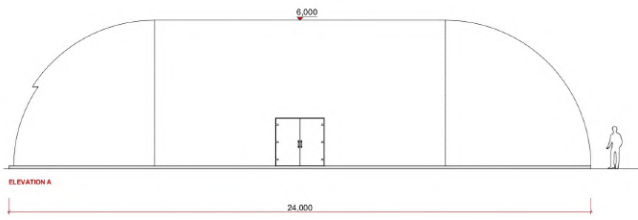


- Sphere surface- 104m<sup>2</sup>
- Floor area(inside)- 39.25 m<sup>2</sup>
- Terrace area(outside)- 39.25 m<sup>2</sup>
- Internal volume- 130.5 m<sup>3</sup>

Structure

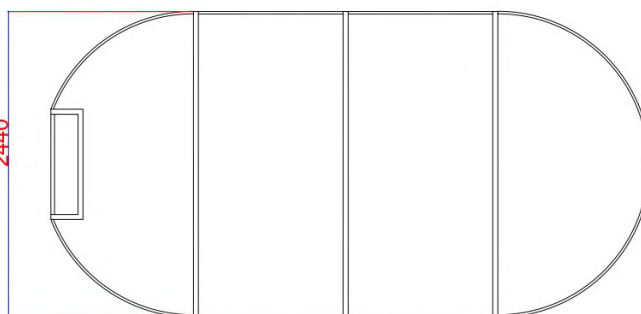
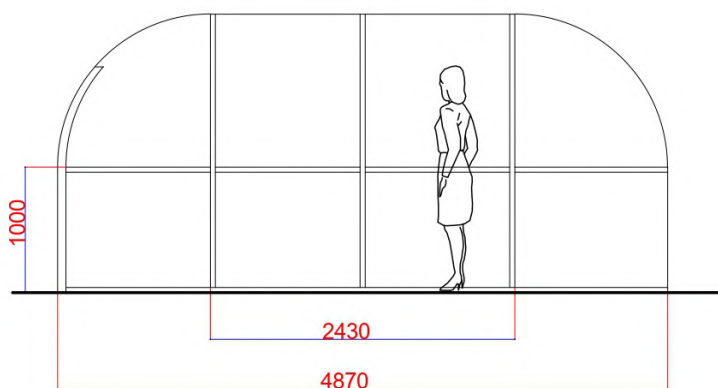
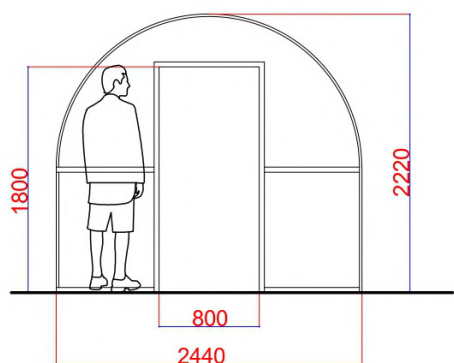


# Aura Tunnel 24m Length 12m Width



|           |  |              |  |
|-----------|--|--------------|--|
|           |  | <b>ALPHA</b> |  |
| Nome:     |  | Indirizzo:   |  |
| Telefono: |  | E-mail:      |  |
| Web:      |  | Pagine:      |  |
| Data:     |  | Versione:    |  |
| Autore:   |  | Data:        |  |
| Data:     |  | Versione:    |  |
| Data:     |  | Versione:    |  |

# Aura Tunnel 4,87m Length 2,44m Width



Sphere surface- 30,4 m2

Floor area- 10,5 m2

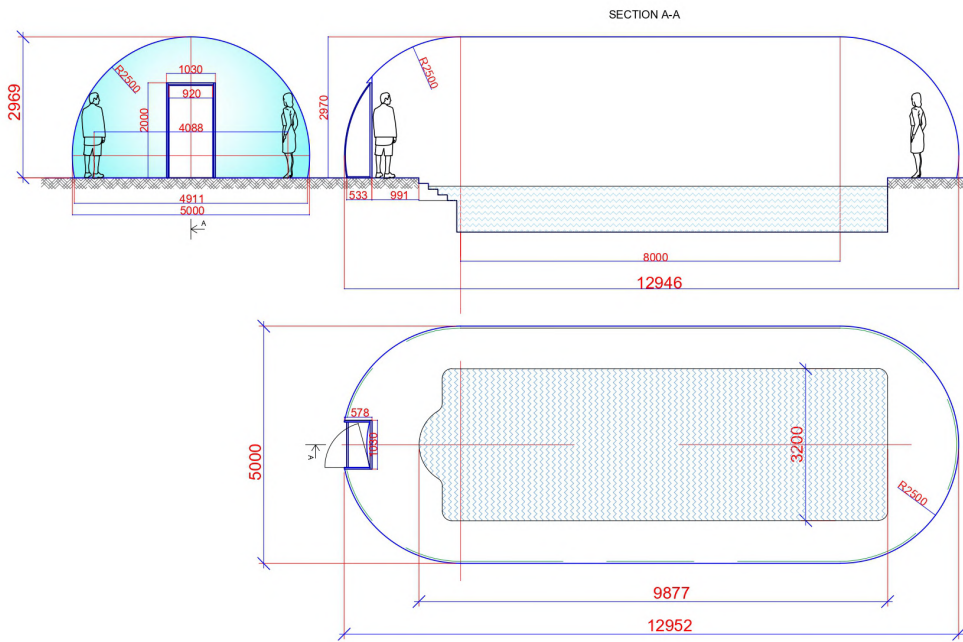
Internal volume- 20 m3

PVC door -1pcs.

|                         |  |                            |   |                  |    |
|-------------------------|--|----------------------------|---|------------------|----|
| Certificate No.<br>8884 |  <b>VIKING DOME</b> | Šeškinės sodų 2<br>Vilnius | Mobile: +37067003131<br>E-mail: info@vikingdome.com | D2,44H2,2L4,87T3 |    |
| TPV0075                 | Engineer   | G.Brėskys                  | 2022/08/24  | Architektūra     |    |
| Stadija                 | Customer:<br>xxxxxxx<br>xxxxxxx  |                            |   | Page             | A4 |
| DP                      |  |                            |   | 1                |    |

# Aura Tunnel 13m Length 5m Width

Aura D5H3



Cover surface- 117 m2  
 Floor area- 59 m2  
 Internal volume- 140 m3  
 Weight- 750 kg

|                        |                      |                              |  |                     |              |
|------------------------|----------------------|------------------------------|--|---------------------|--------------|
| Certificate No<br>8884 | V.I.K.I.N.G.<br>DOHE | Šeštinskės sodų 2<br>Vilnius | Mobile - +37067002131<br>E-mail: info@vikingdohe.com | Aura D5H3F12T3-4L13 |              |
| TPV0075                | Engineer G. Brėškys  | 2020/12/16                   | Architekture   | A4                  | Version<br>1 |
| Customer:              |                      |                              |  | Page                | Pages        |
|                        |                      |                              |  | 1                   | 1            |



**VIKING  
DOME**

VikingDome – engineering and construction company behind development and manufacturing of the Aura Dome™ technology.



**Worldwide delivery**

Contact us:

[www.vikingdome.com](http://www.vikingdome.com)

[sales@vikingdome.com](mailto:sales@vikingdome.com)