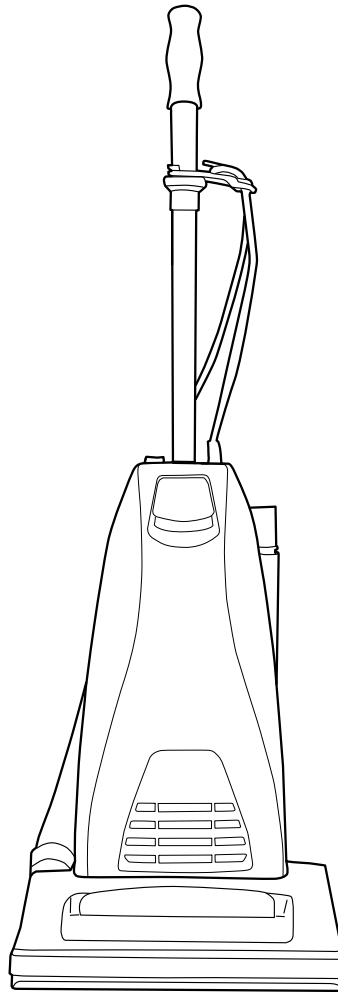
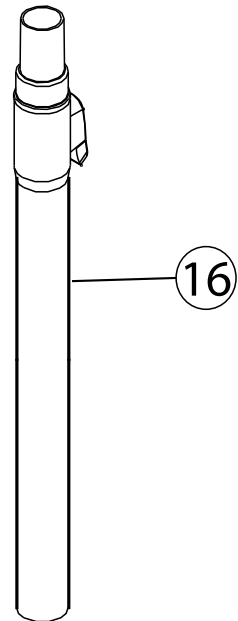
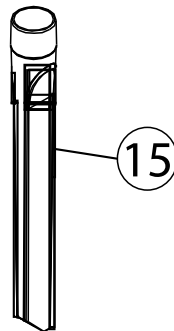
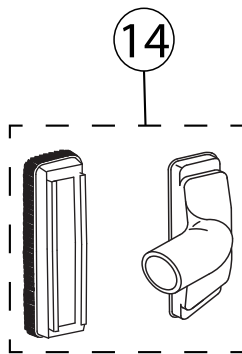
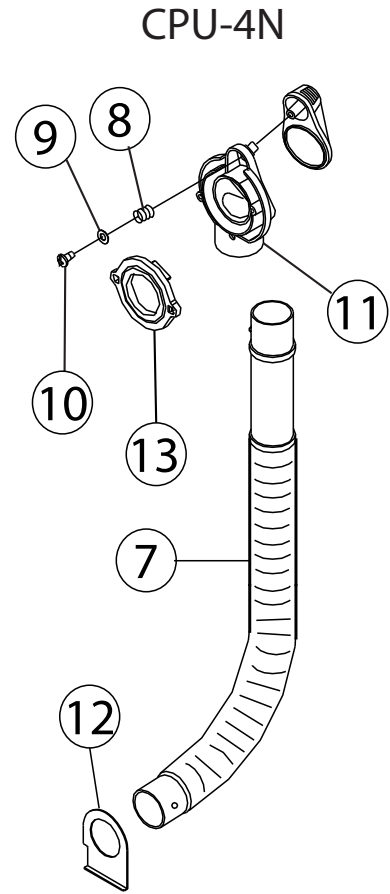
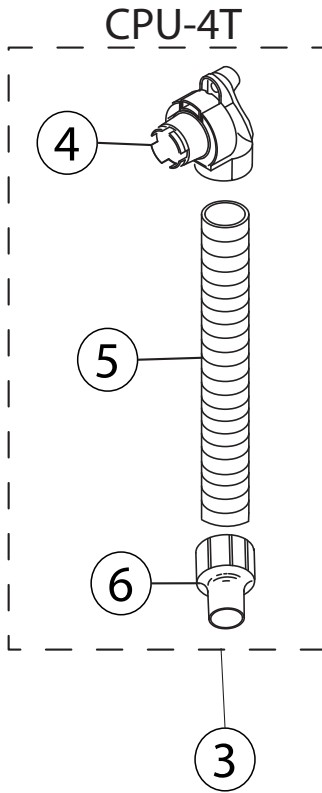
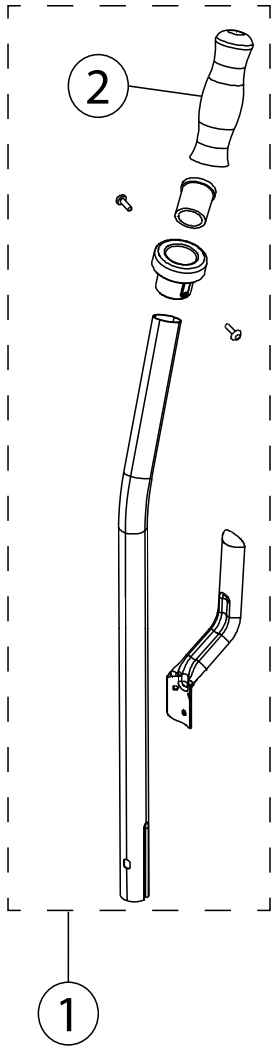


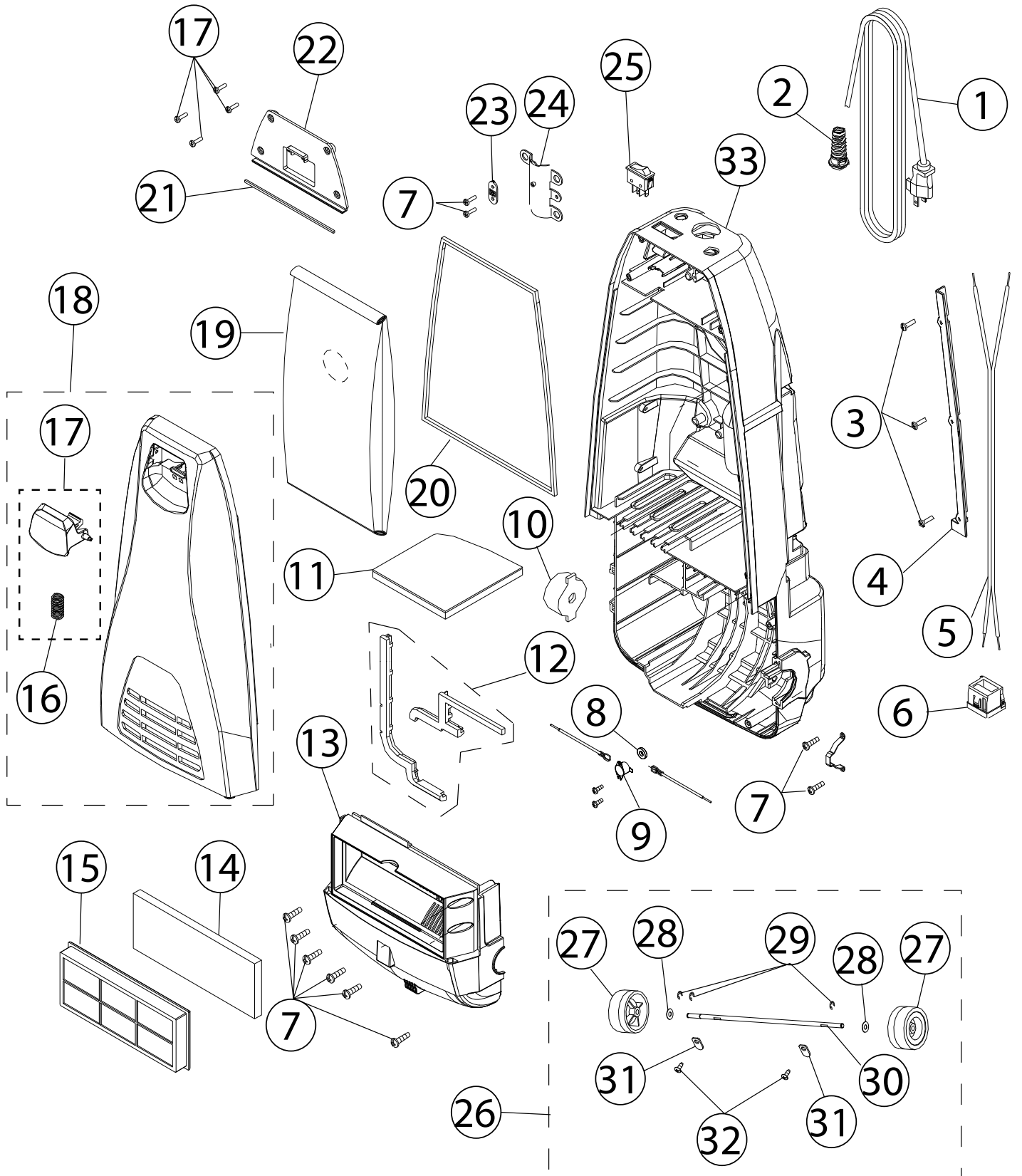
# **CARPET PRO PARTS BOOK**

## **CPU-4N CPU-4T MODELS**

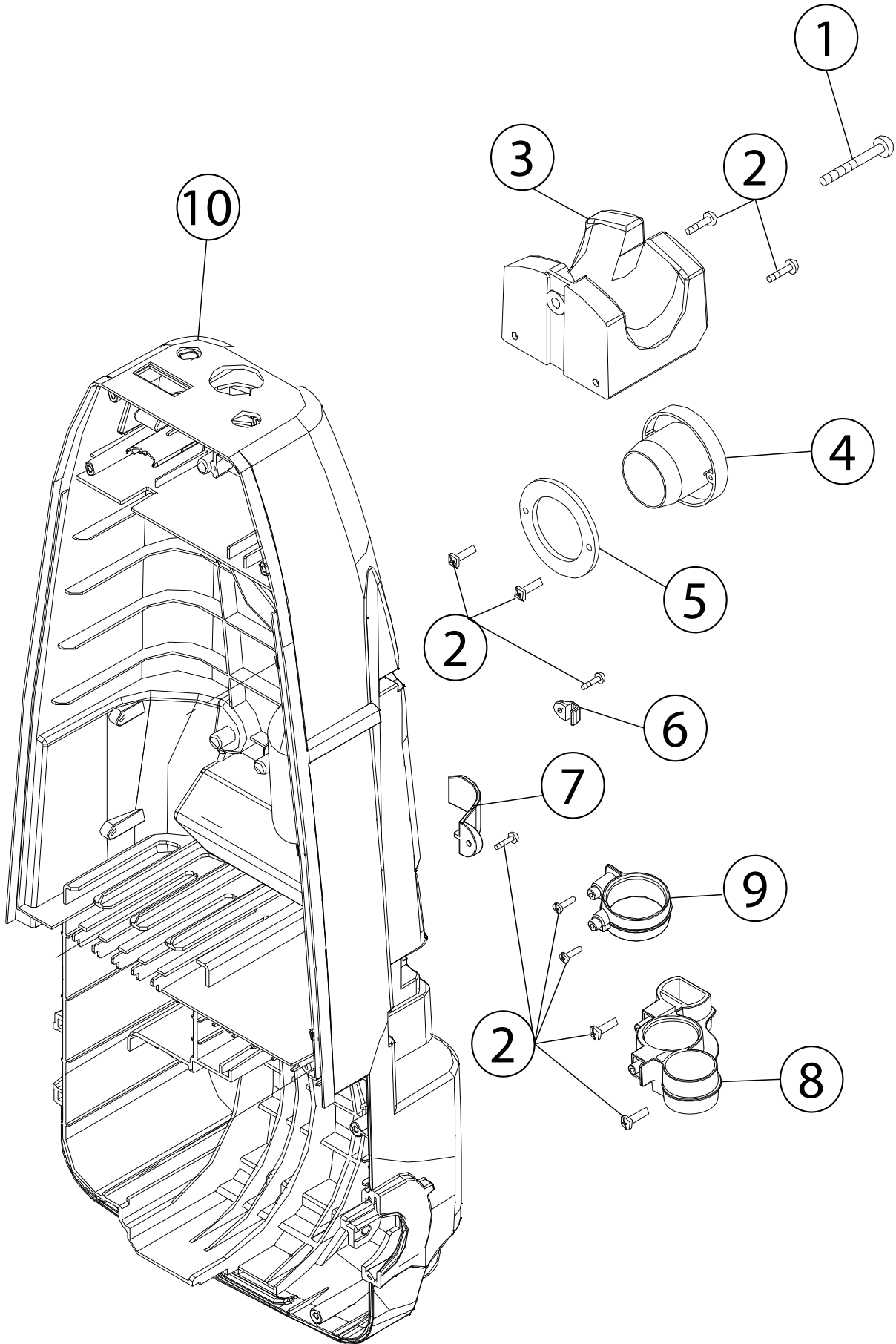




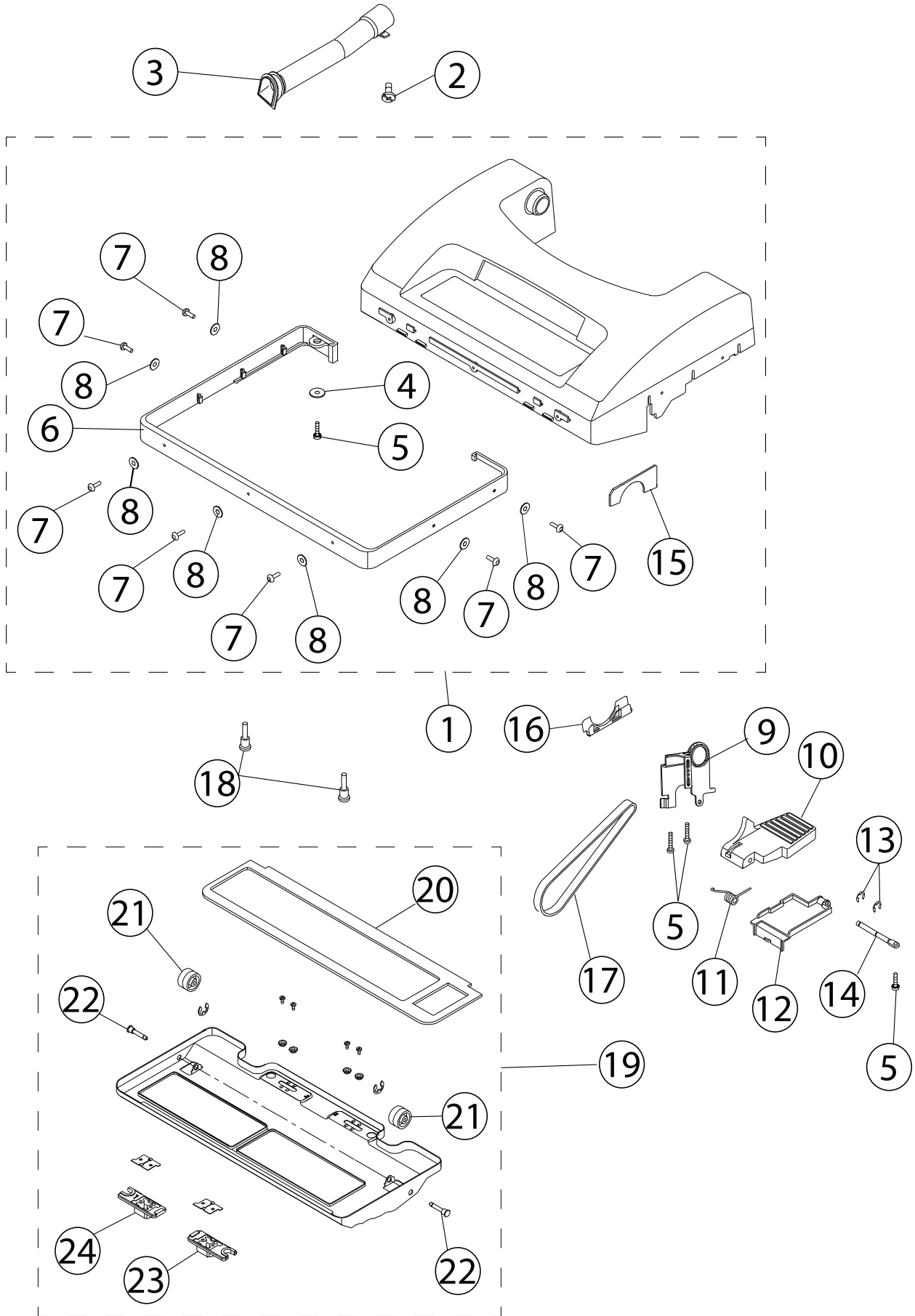
<b>KEY</b>	<b>PART NUMBER</b>	<b>DESCRIPTION</b>
1	C609-4000	Handle Assembly
2	B431-2300	Rubber Grip
3	D626-0514	Hose Assembly (CPU-4T)
4	C625-0114	Suction Inlet (CPU-4T)
5	CM031008	Stretch Hose (CPU-4T)
6	54.170	Hose Cuff (CPU-4T)
7	C44-E	Nozzle Hose (CPU-4N)
8	B625-0805	Suction Spring (CPU-4N)
9	B625-0105	Washer (4.5x12x0.8) (CPU-4N)
10	A732-1200	Screw (M5 x 12) (CPU-4N)
11	54.007	Suction Inlet (CPU-4N)
12	A07	Hose Fitting (CPU-4N)
13	A721-0214	Swivel Inlet Gasket (CPU-4N)
14	C625-0113	Upholstery Tool with Brush (CPU-4T)
15	B625-0106	Crevice Tool (CPU-4T)
16	TW2	Wand Assembly (CPU-4T)



<b>KEY</b>	<b>PART NUMBER</b>	<b>DESCRIPTION</b>
1	14.105	40' Power Cord
2	X1102	Cord Strain Relief
3	A732-7705	Screw 8/32 x 3/8
4	54.129	Wire Harness Cover
5	B224-0314B	Motor Cord
6	A732-4114	Wire Bushing
7	A732-8314	Screw Hi Lo #8 x 5/8
8	B333-0600	Thermal Switch Seal
9	B333-0400B	Thermal Switch Manual Rest
10	B017-0214	Motor Compartment Bushing
11	CMPS-SF	Secondary Filter (Bulk)
12	C609-5000	Motor Cover Seal Kit
13	B625-0109	Motor Cover (Black replacement)
14	06.129	Exhaust Filter Foam
15	CMPS-PF	Post Filter with Frame (Bulk)
16	54.123	Dust Cover Latch Spring
17	B625-0107	Dust Cover Latch w/ Spring
18	C625-0107	Dust Cover Assembly (Black Replacement)
19	CPP-3	Paper Bag (3 Pack)
20	54.134	Dust Compartment Seal
21	54.128	Switch Cover Seal
22	54.131	Switch Cover
23	B332-0014	Cord Restraining Strap
24	B333-0513	Handle Fitting
25	25.104	On/Off Switch
26	54.127	Wheel Axle Assembly
27	54.021	Rear Wheel 59mm
28	A732-6500	Nylon Washer 25mm
29	A732-0300	E Clip 5mm
30	54.135	Rear Wheel Axle
31	54.136	Axle Clamp
32	A732-8500	Axle Flat Screw
33	C625-0105	Dust Compartment

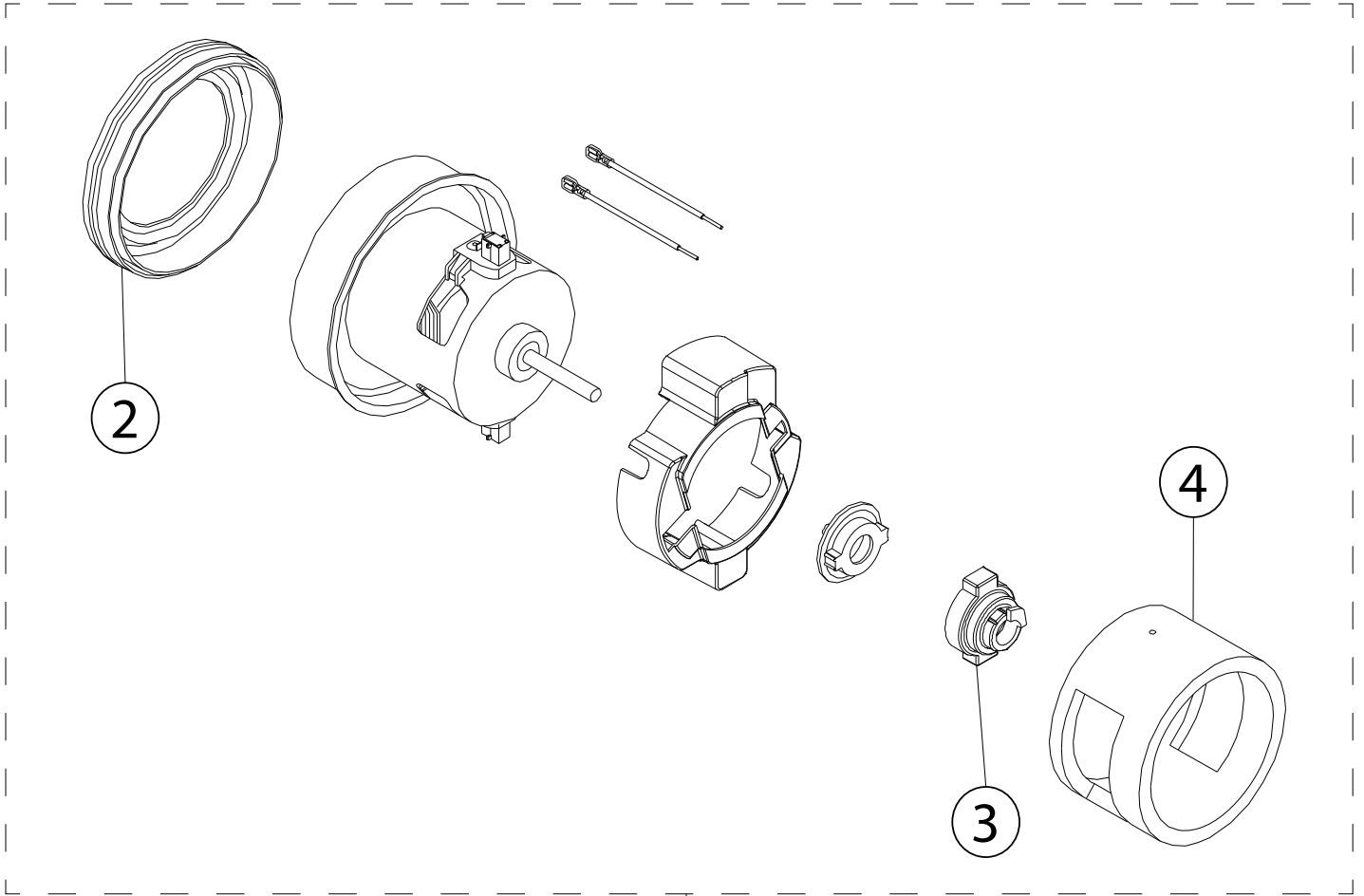


<b>KEY</b>	<b>PART NUMBER</b>	<b>DESCRIPTION</b>
1	A232-0100	Handle Screw
2	A732-7705	Screw 8/32 x 3/8
3	54.140	Hose Hanger
4	89.855	Bag Inlet
5	Z19	Suction Inlet Gasket
6	B626-1414B	Upholstery Tool Clip (CPU-4T)
7	B625-0100	Hose Clip (CPU-4T)
8	B625-0101	On Board Tool Holder (CPU-4T)
9	B625-0102	Upper Wand Retainer (CPU-4T)
10	C625-0105	Dust Compartment



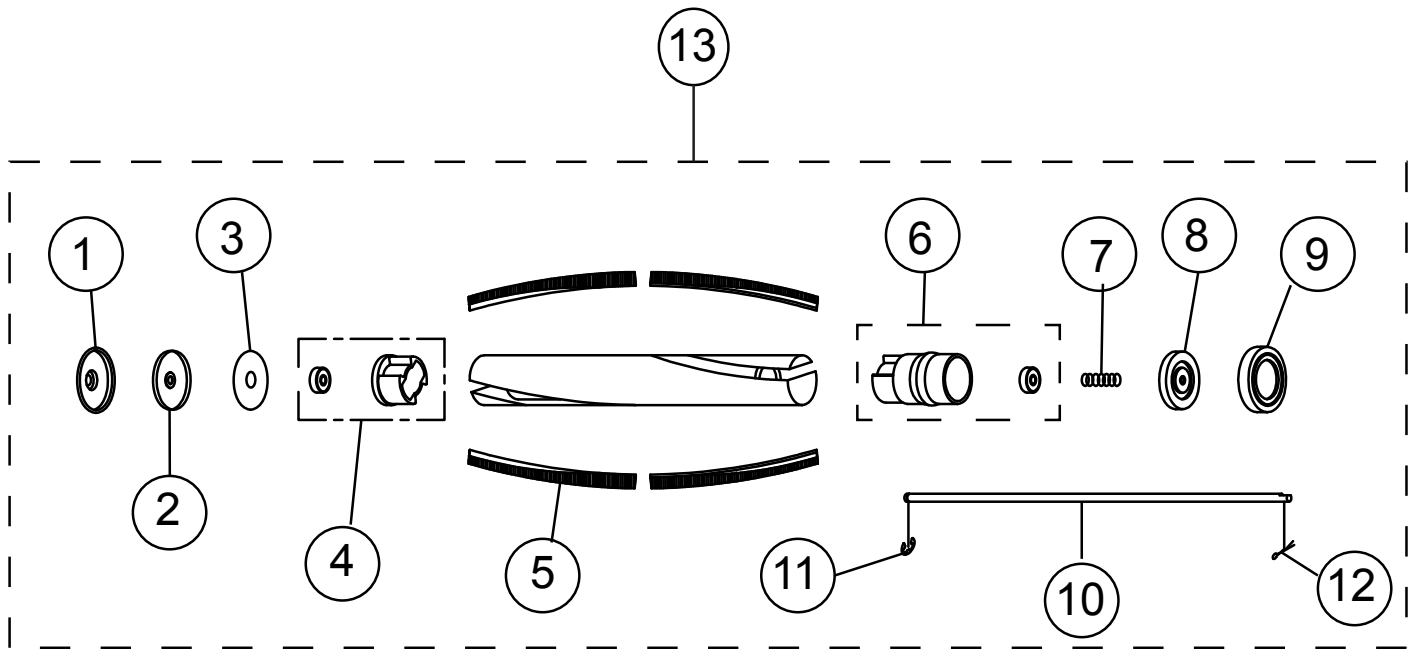


<b>KEY</b>	<b>PART NUMBER</b>	<b>DESCRIPTION</b>
1	C625-0108	Nozzle Housing with Furniture Guard (Black Replacement)
2	A732-2500	Hose Inlet Tube Screw
3	CMPS-NOZTUBE	Nozzle Inlet Tube
4	A430-0405	Washer
5	A732-8314	Screw HI Lo #8x5/8
6	B625-0108	Furniture Guard Clear
7	BA00943000	Rivet for Furniture Guard
8	004300032	Washer for Furniture Guard
9	B020-0100B	Pedal Frame
10	54.016	Foot Pedal
11	B020-0400	Foot Pedal Spring
12	B020-1031	Belt Cover
13	A732-0200	E Clip 4mm
14	B020-0300	Pedal Shaft
15	A09	Felt Packing
16	B017-1200	Vented Support Fitting
17	B014-0714	Belt
18	CM011012	Baseplate Stud
19	CM011007	Baseplate Assembly
20	CM031001	Baseplate Seal
21	B010-1913	Baseplate Wheel
22	B010-0500	Baseplate Wheel Axle
23	CM011008	Baseplate Latch Left
24	CM011009	Baseplate Latch Right



1

KEY	PART NUMBER	DESCRIPTION
1	C625-0102	Motor Assembly
2	B113-0230	Rear Motor Mount
3	B123-1300	Metal Pivot
4	B123-1900	Sound Suppressor



KEY	PART NUMBER	DESCRIPTION
1	B012-0214	Rubber End Cover Left
2	B012-0700	End Cap Left
3	B012-0600	Agitator Bearing Felt Cover
4	C012-1500	Agitator Bearing Holder Assembly
5	B012-2400B	10.3MM Red & Gold Nylon Brush Strip
6	D012-0914	Non Clutch Pulley with Bearing
7	B624-0100	Spacing Spring
8	B012-0800	End Cap Right
9	B012-0114	Rubber End Cover Right
10	B012-1000	Agitator Shaft
11	A732-0200	E-Clip
12	A732-0400	Agitator Spring Clip
13	D012-0500D	Agitator Assembly Non Clutch