

**LUMATEK**  
PROFESSIONAL LIGHTING

 **MANUAL**

# **ATS300W PRO**

ENGLISH - FRENCH - ITALIAN - SPANISH - GERMAN - CZECH



**EFFICACY**



**3 YEAR**  
WARRANTY

# LUMATEK ATS300W PRO FULL SPECTRUM LED LED MANUAL

ENGLISH

## TABLE OF CONTENTS

1. **Introduction**
2. **Product Description**
3. **Product information and specifications**
  - 3.1 General product information
  - 3.2 Technical Specifications
  - 3.3 Spectral Quantum Distribution Graph
  - 3.4 Light distribution curve
  - 3.5 Environment
  - 3.6 Legal
4. **Safety recommendations and warnings**
5. **Contents**
6. **Installation**
  - 6.1 Fixture assembly & installation
  - 6.2 Connecting the manual dimmer or external lighting controller & adjusting light intensity (dimming)
  - 6.3 Connecting fixtures together in series for external control
  - 6.4 Connecting the LED fixture to the mains
7. **Inspection, maintenance and repair**
8. **Storage and disposal**
9. **Warranty**

## 1. INTRODUCTION

Thank you for purchasing the Lumatek ATS300W Pro LED fixture. This manual describes how to install and use the ATS300W Pro LED fixture; please read this manual thoroughly before attempting to install or operate any Lumatek ATS Series system. If you are not comfortable with the installation of high performance lighting systems, you should seek the services of a qualified installation professional.

## 2. PRODUCT DESCRIPTION

The Lumatek ATS300W Pro LED is an electronic horticultural LED fixture using a compact design with an externally controllable & dimmable driver. The ATS300W Pro fixture is a high performance full-cycle top lighting solution for commercial horticulture cultivation, with the power and flexibility to scale from propagation and cloning through vegetative growth to higher light intensities in bloom.

In this manual the Lumatek ATS300W Pro LED will be referred to as: "the LED fixture".

## 3. PRODUCT INFORMATION AND SPECIFICATIONS

### 3.1 General Product Information

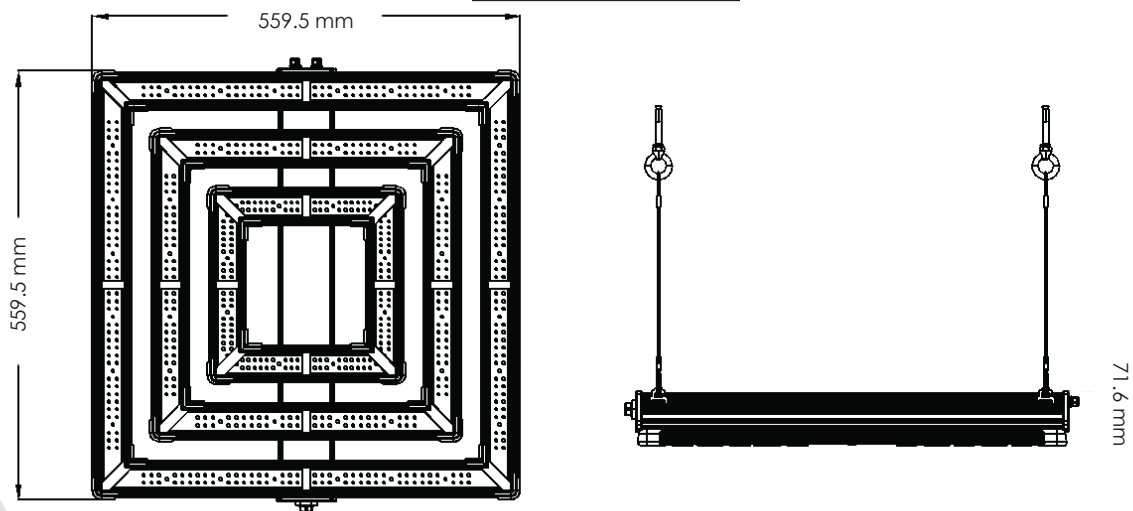
PRODUCT NAME	ATS300W PRO LED
PRODUCT CODE	LUMLED300P
MANUFACTURER	Lumatek EU
EAN	5060560031208
PLUG TYPE	UK/EU

### 3.2 Technical Specifications

PPF	816 $\mu\text{mol/s}$
EFFICACY	up to 2.7 $\mu\text{mol/J}$
SPECTRUM	Full spectrum +
LIGHT SOURCE	High Spec W/R/FR LED
DIMENSIONS (LxWxH)	559.5 x 559.5 x 71.6mm
WEIGHT	5.2Kg
LIFE SPAN	>60000H
WORKING TEMPERATURE	-20° -- +40°C
WORKING HUMIDITY	20% - 90%
WATERPROOF / DUSTPROOF	IP65
BEAM ANGLE	120°
HARMONIC	<15%
MANUAL DIM/EXTERNAL LIGHTING CONTROLLER	0-10V analog protocol

INPUT VOLTAGE (V)	DIMMING RATIO	INPUT POWER(W)	INPUT CURRENT(A)
Vmains=230V 50/60Hz AC	100%	317	1.45
	75%	235	1.04
	50%	157	0.73
	25%	81	0.42
Vmains=240V 50/60Hz AC	100%	317	1.4
	75%	233	1.02
	50%	156	0.72
	25%	80	0.41
Vmains=277V 50/60Hz AC	100%	317	1.25
	75%	229	0.94
	50%	156	0.62
	25%	80	0.42

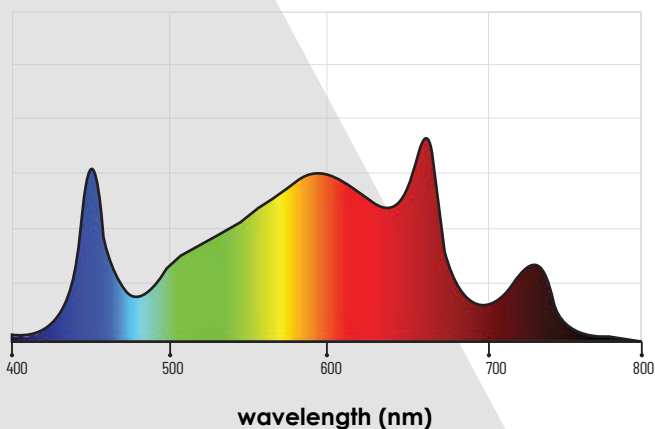
**Fig 1. Fixture dimensions**



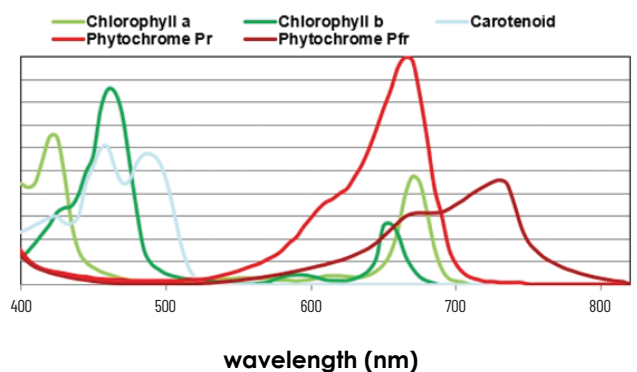
### 3.3 Spectral Quantum Distribution Graph

The ATS Pro series use higher efficiency 4000K White, 660nm Red & 730nm Far Red Diodes to create a balanced full spectrum of quality light ideal for photosynthesis

**Fig 2. SQD graph showing Full Spectrum +**

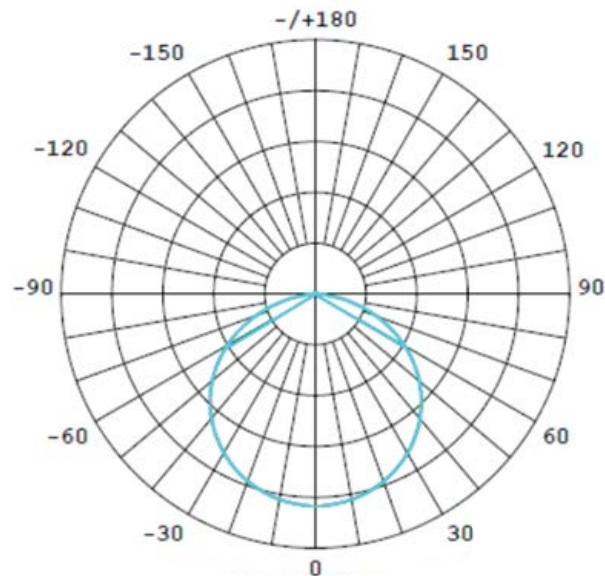


**Fig 3. Light absorption curves for plants**





### 3.4 Light distribution curve



Unit: cd	
C0/180	117.9
C30/210	118.0
C60/240	118.0
C90/270	117.9

**Average Beam Angle (50%): 117.9 DEG**

### 3.5 Environment

The LED fixture is intended to be used in climate-controlled grow rooms and indoor farms. The product may be used in damp environments but may not be used in wet environments or outdoors.

The product will operate in ambient temperatures from -10°C to 40°C but will function at optimal level between 20°C to 30°C.

The product will operate in 20% – 90% humidity, non-condensing.

### 3.6 Legal

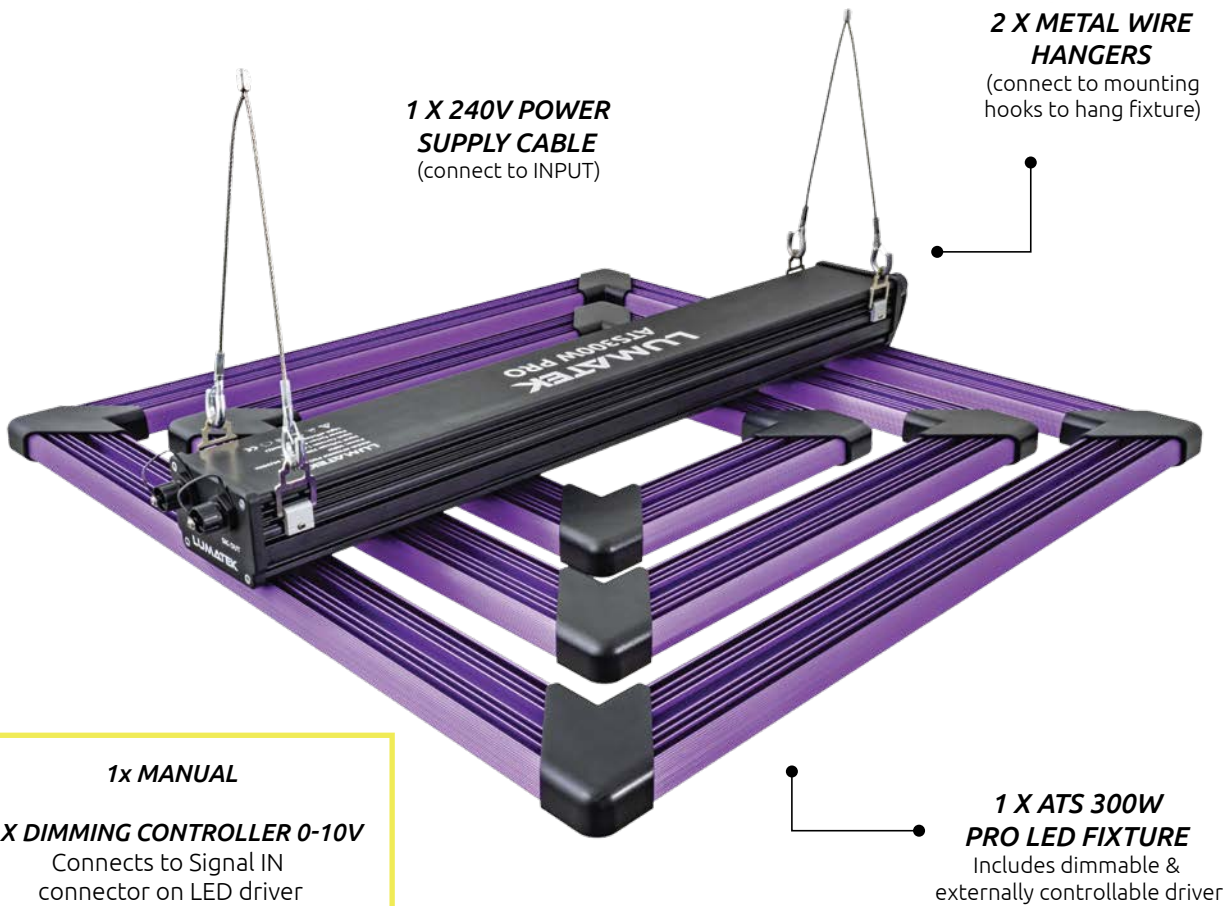
**This product is CE certified compliant with LVD and EMC directive test standards.**

## 4. SAFETY RECOMMENDATIONS AND WARNINGS

**Warning!** Carefully read the warnings below before using or working with the product!

- Always adhere to the local rules and regulations when installing or using the LED fixture.
- Do not open or disassemble the LED fixture as it contains no serviceable parts inside. Opening or modifying the LED fixture can be dangerous and will void the warranty.
- Do not use the LED fixture when either the LED fixture or its power cable are damaged. Replace the power cable with correctly rated cable only.
- Modifications to the cables can lead to unwanted electromagnetic effects which may make the product not comply with legal requirements.
- Do not expose the LED fixture to:
  - Condensing humidity, heavy mist or direct spray;
  - Ambient temperatures outside the specified range;
  - Dust and contamination;
  - Direct sunlight during use or HID light that may heat up the driver.
- Always disconnect the LED fixture from mains before performing any maintenance.
- Always allow for a cool down period of at least 20-30 minutes before touching the LED light bars. Touching the LED bars when the fixture is lit or immediately after may result in burns!
- Natural convection removes heat away from the heatsink. In order for the system too properly cool itself, allow at least 5cm of space is required between the fixture and the roof of your grow area.
- Do not use abrasive materials or aggressive cleaning agents to clean the LED fixture as this may damage the secondary optics. Instead use a clean dry fabric/cloth.
- Do not use the LED fixture near flammable, explosive or reactive substances. The LED fixture can reach temperatures of 40°C.
- Do not use sulphur vaporizers or water misters.
- The installation and use of the LED fixture is the responsibility of the end user. Incorrect use or installation can lead to failure and damage to the LED fixture. Damage to the LED fixture and electronic circuitry as a result of incorrect installation and use revokes the warranty.

## 5. CONTENTS



**1 X 240V POWER  
SUPPLY CABLE**  
(connect to INPUT)

**2 X METAL WIRE  
HANGERS**  
(connect to mounting  
hooks to hang fixture)

**1x MANUAL**

**1 X DIMMING CONTROLLER 0-10V**  
Connects to Signal IN  
connector on LED driver

**1 X ATS 300W  
PRO LED FIXTURE**  
Includes dimmable &  
externally controllable driver

## 6. INSTALLATION

**Warning!** Mounting and installing the LED fixture must be in accordance with the applicable local laws and regulations.

**Warning!** The installer is responsible for correct and safe installation.

**Warning!** Ensure the local cabling can support the voltage and current requirements of the LED fixture.

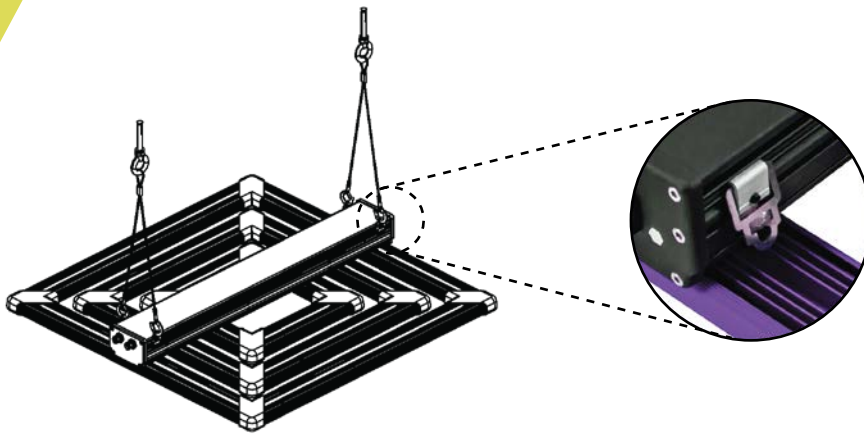
**Warning!** Avoid coiled cables and keep mains leads separated to help prevent electromagnetic interference.

**Warning!** Do not connect or disconnect the LED fixture under load.

### 6.1 Fixture assembly & installation

**Warning!** Mount the system to something that can hold the weight of the LED fixture.

Attach the metal wire hangers to the mounting hooks on sides of the fixture driver. Hang the fixture in required position and height. For optimal performance; position fixture 15 – 40cm above plant canopy. Ensure the fixture is hung horizontally.



Attach metal cable hangers to mounting hooks

## 6.2 Connecting the manual dimmer or external lighting controller & adjusting light intensity (dimming)

The LED fixture can be connected to a manual dimming controller (included) or an external digital lighting controller (sold separately) via the SIG IN port on the driver allowing light intensity (PPF level) to be adjusted between 20% - 100% light output.

The LED fixture's light intensity can be adjusted without changing spectrum or losing efficiency. This means that PPF can be adjusted to the correct level for propagation, cloning, vegetative and flowering growth cycles without having to raise or lower fixture and maintaining an 1 x 1m light spread.

The dimmer control or lighting controller is connected to the SIG IN connector on the fixture driver; Undo dust-cap, ensure connectors are correctly aligned and then push together until click-locked. To release: turn twist-lock anti-clockwise and pull apart.



**REMOVE DUST CAP  
& CONNECT DIMMER  
OR CONTROLLER TO SIG IN PORT.**

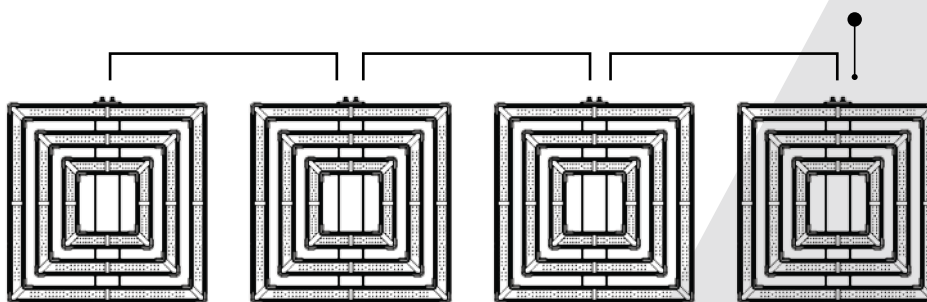
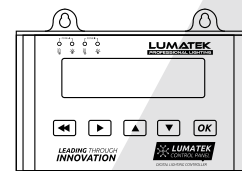
## 6.3 Connecting fixtures together in series for external control

Connect lighting controller output signal wire to fixture 1 SIG IN connector by correctly aligning connectors and pushing together until click-locked. Connect daisy chain control signal wire (sold separately) from fixture 1 SIG OUT connector to fixture 2 SIG IN connector.

Daisy-chain control signal wire can be disconnected by turning twist-lock anti-clockwise to unlock and pulling to release. Continue to connect fixtures in series for up to 100 fixtures per controller (50 per Zone). See Fig. 1

For detailed instructions please refer to the Lumatek Control Panel Plus user manual.

The LED fixture uses 0-10V command signal protocol. Position and hang each fixture appropriately



## 6.4 Connecting the LED fixture to the mains

**Warning!** Make sure mains power is switched off.

**Warning!** Ensure the power supply cable is not coiled and does not touch any hot surfaces.

**Warning!** Connect the cables according to local rules, safety regulations and electrical code.

**Warning!** If not using an external lighting controller ensure external switching gear can cope with the inrush current of the LED fixture. It is recommended to use a timer contactor suitable for switching a capacitive load and not household timers to switch the LED fixture!

Ensure the LED driver power supply cable self-locking female connector is correctly aligned to the corresponding male INPUT connector on driver and push together until click-locked.

To disconnect; turn twist-lock anti-clockwise to unlock and pull apart from driver.

Connect to switching gear/power supply. Switch on mains power.

**Warning!** Do not connect or disconnect the LED fixture under load.

## 7. INSPECTION, MAINTENANCE AND REPAIR

**Warning!** Disconnect the LED fixture from mains before performing any maintenance or repairs.

**Warning!** Do not connect or disconnect the LED fixture under load.

**Warning!** Do not open or disassemble the LED fixture, it contains no serviceable parts inside. Opening the LED fixture can be dangerous and will void the warranty.

**Warning!** Always wait 20 – 30 minutes for the LED light bars to cool down.

**Caution!** Do not clean the LED fixture with detergents, abrasives or other aggressive substances.

Regularly check the LED fixture for dust or dirt build up. Clean if necessary. Contamination may cause overheating and decreased performance.

Clean the outside of the LED fixture using a dry or damp cloth.

Regularly check the cables of the LED fixture to ensure it is undamaged.

## 8. STORAGE AND DISPOSAL

Store the LED fixture in a dry and clean environment, with an ambient temperature of -25°C to 55°C. The product must not be discarded as unsorted municipal waste but must be collected separately for the purpose of treatment, recovery and environmentally sound disposal.

## 9. WARRANTY

Lumatek Ltd warrants the mechanical and electronic components of their product to be free of defects in material and workmanship if used under normal operating conditions for a period of three (3) years from the original date of purchase. If the product shows any defects within this period and that defect is not due to user error or improper use Lumatek Ltd shall, at its discretion, either replace or repair the product using suitable new or reconditioned products or parts. In case Lumatek Ltd decides to replace the entire product, this limited warranty shall apply to the replacement product for the remaining initial warranty period, i.e. three (3) years from the date of purchase of the original product. For service; return the product to your shop with the original sales receipt.



# MANUAL ATS 300W PRO LED DE LUMATEK

ESPAÑOL

## TABLA DE CONTENIDO

1. **Introducción**
2. **Descripción del producto**
3. **Información del producto y especificaciones**
  - 3.1 Información general del producto
  - 3.2 Especificaciones técnicas
  - 3.3 Gráfico de distribución cuántica espectral
  - 3.4 Curva de distribución de luz
  - 3.5 Medio Ambiente
  - 3.6 Legal
4. **Recomendaciones de seguridad y advertencias**
5. **Contenido**
6. **Instalación**
  - 6.1 Montaje e instalación de accesorios
  - 6.2 Conexión del regulador manual o del controlador de iluminación externo y ajuste de la intensidad de la luz (atenuación)
  - 6.3 Conexión de luminarias en serie para el control externo
  - 6.4 Conexión de la luminaria LED a la red eléctrica
7. **Inspección, mantenimiento y reparación**
8. **Almacenamiento y eliminación**
9. **Garantía**

## 1. INTRODUCCIÓN

Muchas gracias por comprar la luminaria LED ATS300W de Lumatek. El presente manual describe cómo instalar y usar la luminaria ATS LED; por favor lea este manual detenidamente antes de operar cualquier sistema de la serie ATS de Lumatek. Si usted no se siente cómodo con la instalación de sistemas de iluminación de alto rendimiento, por favor busque los servicios de un profesional de instalación calificado.

## 2. DESCRIPCIÓN DEL PRODUCTO

El ATS300W LED de Lumatek es un dispositivo LED electrónico para horticultura que utiliza un diseño con un controlador regulable. La luminaria ATS300W es una solución de iluminación superior de ciclo completo de muy alto rendimiento para el cultivo de horticultura comercial, con el poder y la flexibilidad de escalar desde el crecimiento vegetativo hasta intensidades de luz más altas en floración. En este manual, el ATS300W LED de Lumatek se denominará como: "la luminaria LED".

## 3. INFORMACIÓN Y ESPECIFICACIONES DEL PRODUCTO

### 3.1 Información general del producto

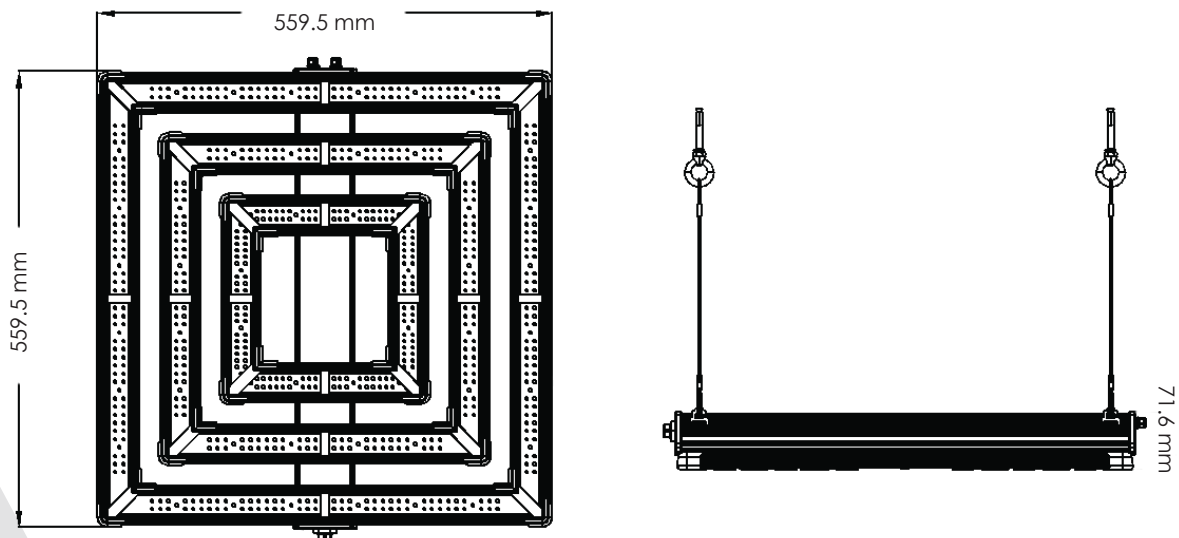
NOMBRE DEL PRODUCTO	ATS 300W PRO LED
NÚMERO DE PARTE	LUMLED300P
FABRICANTE	Lumatek EU
EAN	5060560031208
TIPO DE ENCHUFE	UK/EU

### 3.2 Especificaciones técnicas

PPF	816 $\mu\text{mol/s}$
EFICACIA	hasta 2.7 $\mu\text{mol/J}$
SPECTRO	Espectro Completo +
FUENTE DE LUZ	Especificaciones superiores W/R/FR LED
DIMENSIONES (LxWxH)	559.5 x 559.5 x 71.6mm
PESO	5.2Kg
ESPERANZA DE VIDA	>60000H
TEMPERATURA DE FUNCIONAMIENTO	-20° -- +40°C
HUMEDAD DE TRABAJO	20% - 90%
IMPERMEABLE / A PRUEBA DE POLVO	IP65
ÁNGULO DE HAZ	120°
ARMÓNICO	<15%
ATENUADOR MANUAL / CONTROLADOR DE ILUMINACIÓN EXTERNA	protocolo de señal 0-10V

VOLTAJE DE ENTRADA (V)	RELACIÓN DE ATENUACIÓN	POTENCIA DE ENTRADA (W)	CORRIENTE DE ENTRADA (A)
Vmains=230V 50/60Hz AC	100%	317	1.45
	75%	235	1.04
	50%	157	0.73
	25%	81	0.42
Vmains=240V 50/60Hz AC	100%	317	1.4
	75%	233	1.02
	50%	156	0.72
	25%	80	0.41
Vmains=277V 50/60Hz AC	100%	317	1.25
	75%	229	0.94
	50%	156	0.62
	25%	80	0.42

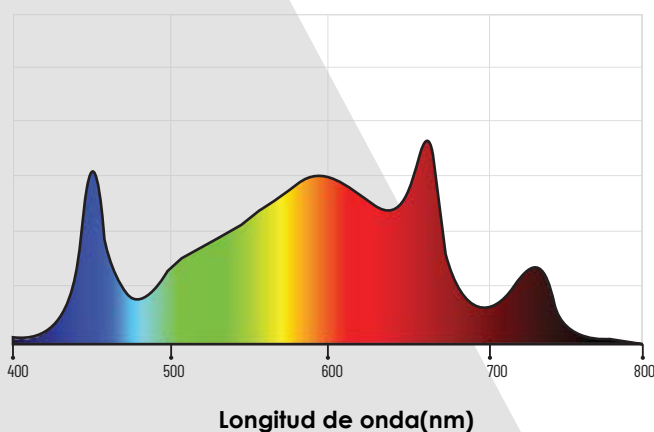
**Fig 1.** Dimensiones de la luminaria



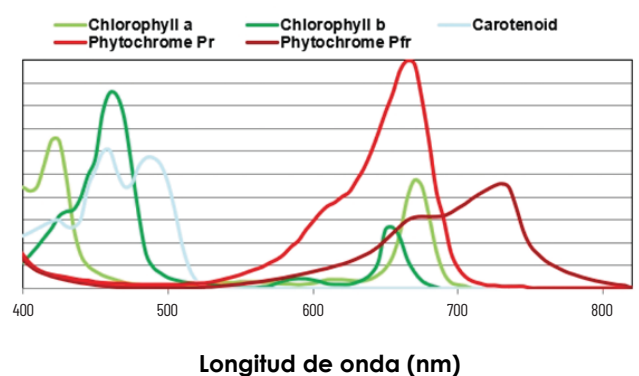
### 3.3 Gráfico de Distribución Cuántica Espectral

La serie ATS Pro utiliza LEDs blancos, rojos y rojos lejanos para crear un espectro completo equilibrado de luz de calidad ideal para fotosíntesis

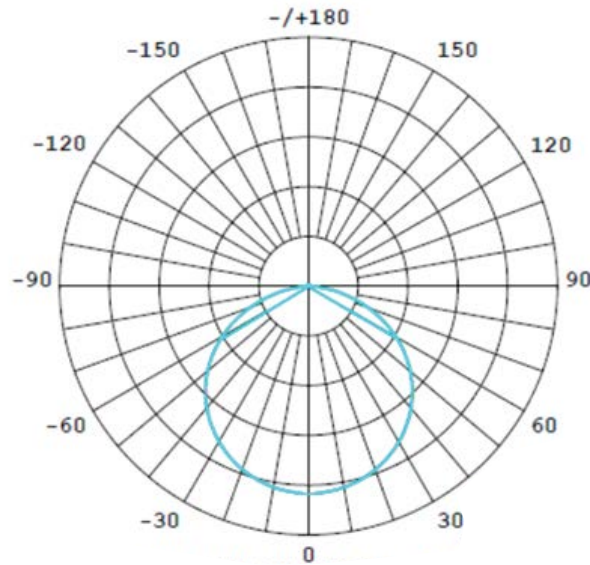
**Fig 2.** Gráfico SQD que muestra espectro completo +



**Fig 3.** Curvas de absorción de luz para plantas



### 3.4 Curva de distribución de luz



Unit: cd	
C0/180	, 117.9
C30/210	, 118.0
C60/240	, 118.0
C90/270	, 117.9

Ángulo de haz medio  
(50%) : 117.9 DEG

### 3.5 Medio ambiente

La luminaria LED está diseñada para ser utilizada en salas de cultivo con clima controlado, granjas interiores e invernaderos. El producto puede usarse en ambientes húmedos, pero no puede usarse en ambientes húmedos o al aire libre.

El producto funcionará a temperaturas ambiente de -10°C a 40°C, pero funcionará a un nivel óptimo entre 20°C y 30°C.

El producto funcionará en 20% - 90% de humedad, sin condensación.

### 3.6 Legal

**Este producto cuenta con la certificación CE & UKCA y cumple con los estándares de prueba de directivas LVD y EMC.**

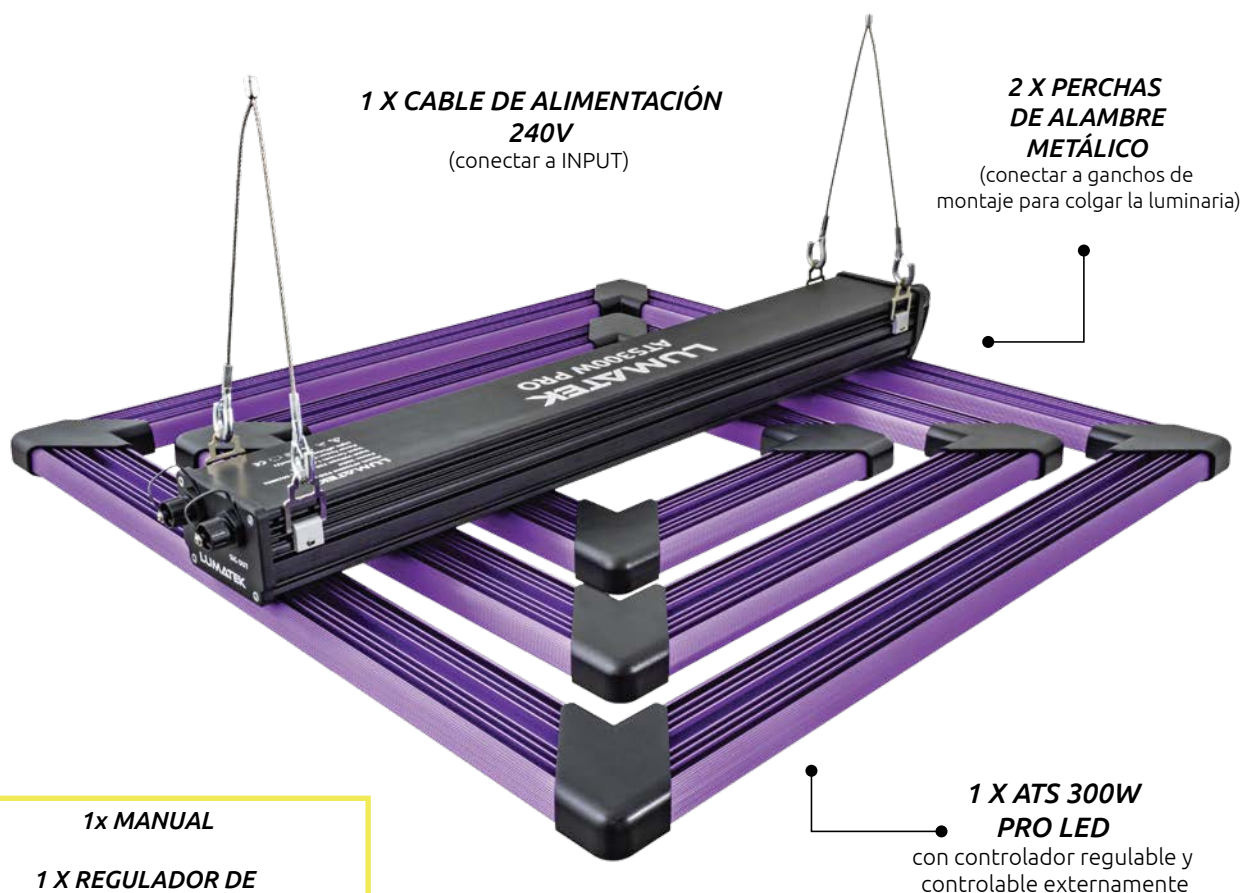
## 4. RECOMENDACIONES DE SEGURIDAD Y ADVERTENCIAS

**¡Advertencia! ¡Por favor lea atentamente las siguientes advertencias antes de usar o trabajar con el producto!**

- Siempre siga las reglas y regulaciones locales al instalar o usar la luminaria LED.
- No abra ni desmonte la luminaria LED, ya que no contiene piezas reparables en su interior. El abrir o modificar la luminaria LED puede ser peligroso y anulará la garantía.
- No utilice la luminaria LED cuando la luminaria LED o su cable de alimentación estén dañados. Reemplace el cable de alimentación solo con un cable con clasificación correcta.
- Las modificaciones en los cables puede dar lugar a efectos electromagnéticos no deseados, lo que hace que el producto no cumpla con los requisitos legales.
- No exponga el dispositivo LED a:
  - Humedad condensada, neblina intensa, neblina o rociado directo;
  - Temperaturas ambiente fuera del rango especificado;
  - Polvo y contaminación;
  - Luz solar directa durante el uso o luz HID que podría calentar el balasto.
- Siempre desconecte el dispositivo de la red eléctrica antes de realizar cualquier mantenimiento.
- Siempre permita un período de enfriamiento de al menos 20-30 minutos antes de tocar las barras de luz LED. ¡El tocar las barras LED cuando el dispositivo está encendido o inmediatamente después puede provocar quemaduras!
- La convección natural elimina el calor del disipador térmico. Para que el sistema pueda enfriarse bien, se requiere al menos 5 cm de espacio entre la luminaria y el techo de su área de cultivo.
- Por favor no utilice materiales abrasivos o agentes de limpieza agresivos para limpiar la luminaria LED, ya que esto puede dañar la óptica secundaria. En su lugar, use una tela limpia y seca.
- No utilice el dispositivo cerca de sustancias inflamables, explosivas o reactivas. La luminaria LED puede alcanzar temperaturas de 40°C.
- No use vaporizadores de azufre o agua pulverizada.
- La instalación y el uso del dispositivo son responsabilidad del usuario final. El uso o una instalación incorrecta pueden provocar fallas y daños en la luminaria LED. El daño a la luminaria LED y a los circuitos electrónicos como resultado de una instalación y uso incorrecto revocará la garantía.



## 5. CONTENIDO



**1 X CABLE DE ALIMENTACIÓN  
240V**  
(conectar a INPUT)

**2 X PERCHAS  
DE ALAMBRE  
METÁLICO**  
(conectar a ganchos de  
montaje para colgar la luminaria)

**1x MANUAL**

**1 X REGULADOR DE  
ATENUACIÓN 0 -10V**

Se conecta al conector SIGNAL IN  
en el controlador LED

**1 X ATS 300W  
PRO LED**

con controlador regulable y  
controlable externamente

## 6. INSTALACIÓN

**¡Advertencia!** El montaje e instalación de la luminaria LED debe realizarse de acuerdo con las leyes y regulaciones locales aplicables.

**¡Advertencia!** El instalador tiene la responsabilidad de una instalación correcta y segura.

**¡Advertencia!** Por favor asegúrese que el cableado local pueda soportar los requisitos de voltaje y corriente del dispositivo.

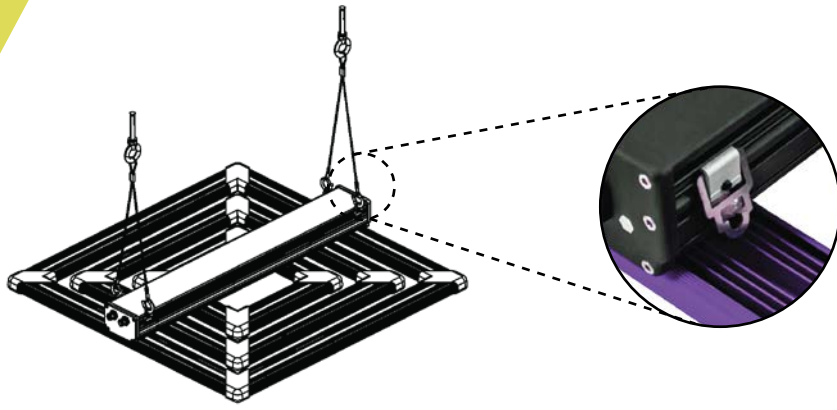
**¡Advertencia!** Evite los cables en espiral y mantenga los cables de alimentación separados para ayudar a evitar interferencias electromagnéticas.

**¡Advertencia!** No conecte ni desconecte el dispositivo LED bajo carga.

### 6.1 Montaje e instalación de accesorios

**¡Advertencia!** Monte el sistema en algo que pueda soportar el peso de la luminaria LED.

Fije las perchas de alambre metálico a los ganchos de montaje situados en los laterales del conductor de la luminaria. Cuelgue la luminaria en la posición y altura requeridas. Para un rendimiento óptimo; posicione la luminaria de 15 – 40cm por encima del dosel de la planta. Asegúrese que la luminaria esté colgada horizontalmente.



Conecte los ganchos de cable de metal a los ganchos de montaje

## 6.2 Conexión del regulador manual o del controlador de iluminación externo y ajuste de la intensidad de la luz (atenuación)

La luminaria LED puede conectarse a un controlador de regulación manual (incluido) o a un controlador de iluminación digital externo (se vende por separado) a través del puerto SIG IN del controlador, lo que permite ajustar la intensidad de la luz (nivel PPF) entre el 20% y el 100% de la salida de luz.

La intensidad de la luz de la luminaria LED puede ajustarse sin cambiar el espectro ni perder eficacia. Esto significa que la PPF puede ajustarse al nivel correcto para la propagación, la clonación y los ciclos de crecimiento vegetativo y de floración sin tener que subir o bajar la luminaria y manteniendo una extensión de luz de 1m x 1m.

El control del atenuador o el controlador de iluminación están conectados al conector SIG IN del controlador de la luminaria;

Desbloquee el tapón antipolvo, asegúrese que los conectores están correctamente alineados y luego empújelos hasta que encajen.

Para liberar: gire el bloqueo de giro en sentido contrario a las agujas del reloj y jale.



**RETIRE EL TAPÓN ANTIPOLVO Y CONECTE EL REGULADOR O EL CONTROLADOR AL PUERTO SIG IN.**

## 6.3 Conexión de luminarias en serie para el control externo

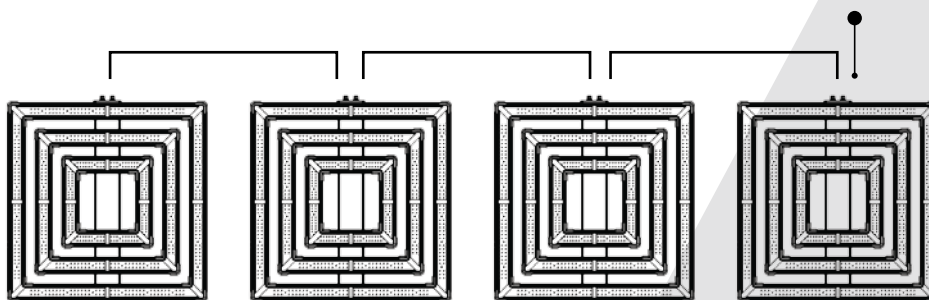
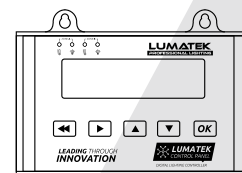
Conecte el cable de señal de salida del controlador de iluminación al conector SIG IN de la luminaria 1 alineando correctamente los conectores y empujándolos hasta que encajen. Conecte el cable de señal de control en cadena (vendido por separado) desde el conector SIG OUT del aparato 1 al conector SIG IN del aparato 2.

El cable de la señal de control de la cadena puede desconectarse girando el cierre giratorio en sentido contrario a las agujas del reloj para desbloquearlo y jalarlo para soltarlo.

Continúe conectando las luminarias en serie hasta un máximo de 100 luminarias por controlador (50 por Zona) ver Fig. 1

Para obtener instrucciones detalladas [consulte el manual de usuario de Lumatek Control Panel Plus.

El dispositivo LED utiliza el protocolo de señal de comando 0-10V. Coloque y cuelgue cada accesorio adecuadamente.



## 6.4 Conexión de la luminaria LED a la red eléctrica

**¡Advertencia!** Por favor asegúrese que la red eléctrica esté apagada.

**¡Advertencia!** Asegúrese que el cable de alimentación no esté enrollado y que no toque ninguna superficie caliente.

**¡Advertencia!** Conecte los cables de acuerdo con las normas locales, las normas de seguridad y el código eléctrico.

**¡Advertencia!** Si no utiliza un controlador de iluminación externo, asegúrese que el equipo de conmutación externo pueda hacer frente a la corriente de entrada de la luminaria LED. ¡Se recomienda utilizar un contactor temporizado adecuado para conmutar una carga capacitiva y no temporizadores domésticos para conmutar la luminaria LED!

Asegúrese que el conector hembra con autobloqueo del cable de alimentación del controlador LED esté correctamente alineado con el conector macho INPUT correspondiente del controlador y empújelo hasta que encaje.

Para desconectar; gire el bloqueo de giro en sentido contrario a las agujas del reloj para desbloquear y separar del conductor.

Conéctelo al equipo de conmutación / alimentación Encienda la alimentación de red.

**¡Advertencia!** No conecte ni desconecte el dispositivo LED bajo carga.

## 7. INSPECCIÓN, MANTENIMIENTO Y REPARACIÓN

**¡Advertencia!** Siempre desconecte el dispositivo de la red eléctrica antes de realizar cualquier mantenimiento.

**¡Advertencia!** No conecte ni desconecte el dispositivo LED bajo carga.

**¡Advertencia!** No abra ni desmonte la luminaria LED, ya que no contiene piezas reparables en su interior. El abrir o modificar la luminaria LED puede ser peligroso y anulará la garantía.

**¡Advertencia!** Siempre espere de 20 a 30 minutos para que las barras de luz LED se enfríen.

**¡Precaución!** No limpie el dispositivo con detergentes, abrasivos u otras sustancias agresivas.

Revise regularmente el dispositivo para detectar la presencia de polvo o suciedad acumulada. Límpielo de ser necesario. La contaminación puede causar sobrecalentamiento y disminución del rendimiento. Limpie el exterior de la lámpara LED con un paño seco o húmedo.

Compruebe regularmente el cableado del producto para asegurarse que no esté dañado.

## 8. ALMACENAMIENTO Y DESECHO

Almacene la luminaria en un ambiente seco y limpio, con una temperatura ambiente de -25°C a 55°C. No deseche el producto como residuo municipal sin antes clasificarlo, ya que debe recogerse por separado con fines de tratamiento, recuperación y eliminación ambientalmente correcta.

## 9. GARANTÍA

Lumatek garantiza que los componentes mecánicos y electrónicos de su producto están libres de defectos de material y mano de obra si se utilizan en condiciones normales de funcionamiento durante un período de tres (3) años a partir de la fecha original de compra. Si el producto presenta algún defecto dentro de este período y ese defecto no se debe a un error del usuario o a un uso indebido, Lumatek deberá, a su discreción, reemplazar o reparar el producto utilizando productos o piezas nuevos o reacondicionados adecuados. En caso de que Lumatek decida reemplazar todo el producto, esta garantía limitada se aplicará al producto de reemplazo durante el período de garantía inicial restante, es decir, tres (3) años a partir de la fecha de compra del producto original. Para ser atendido, devuelva la luminaria a su tienda con el recibo de compra original.

# **BEDIENUNGSANLEITUNG LUMATEK ATS 300W PRO LED**

**DEUTSCH**

## **INHALTSVERZEICHNISS**

- 1. Einleitung**
- 2. Produktbeschreibung**
- 3. Produktinformationen und Spezifikationen**
  - 3.1 Allgemeine Produktinformationen
  - 3.2 Technische Daten
  - 3.3 Spektraler Quantenverteilungsgraph
  - 3.4 Lichtverteilung
  - 3.5 Umwelt
  - 3.6 Rechtliche Hinweise
- 4. Sicherheitsempfehlungen und Warnhinweise**
- 5. Inhalt**
- 6. Installation**
  - 6.1 Montage und Installation
  - 6.2 Anschluss des manuellen Dimmers oder der externen Lichtsteuerung & Einstellen der Lichtintensität (Dimmen)
  - 6.3 Reihenschaltung von Geräten zu externer Steuerung
  - 6.4 Anschluss der LED-Leuchte an das Stromnetz
- 7. Inspektion, Wartung und Reparatur**
- 8. Lagerung und Entsorgung**
- 9. Garantie**



## 1. EINLEITUNG

Vielen Dank, dass Sie sich für die Lumatek ATS300W LED-Leuchte entschieden haben. Dieses Handbuch beschreibt, wie man die ATS LED-Leuchte montiert und verwendet; bitte lesen Sie dieses Handbuch sorgfältig durch, bevor Sie versuchen, ein System der Lumatek ATS Serie zu montieren oder betreiben. Wenn Sie sich die Montage von leistungsstarken Beleuchtungssystemen nicht zutrauen, sollten Sie die Dienste eines qualifizierten Montageprofis in Anspruch nehmen.

## 2. PRODUKTBESCHREIBUNG

Das Lumatek ATS300W Pro LED ist eine elektronische Gartenbau-LED-Leuchte im kompakten Design und mit einem extern steuerbaren & dimmbaren Treiber. Die ATS300W Pro Leuchte ist eine leistungsstarke, vollzyklische Beleuchtung für den kommerziellen Gartenbau. Die hohe Leistung und Flexibilität dient zur Skalierung der Vermehrung, dem Klonen, vegetativem Wachstum und höheren Lichtintensitäten in der Blüte. In diesem Handbuch wird die Lumatek ATS300W Pro LED-Leuchte nachfolgend als: „das LED-Gerät“ bezeichnet.

## 3. PRODUKTINFORMATIONEN UND SPEZIFIKATIONEN

### 3.1 Allgemeine Produktinformationen

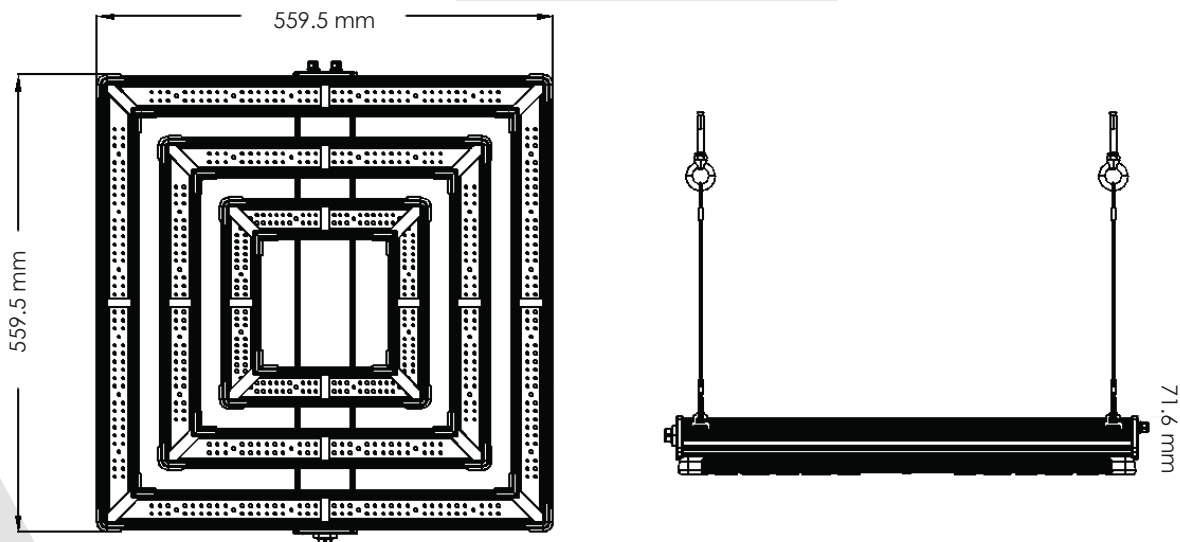
PRODUKTNAME	ATS300W PRO LED
TEILENUMMER	LUMLED300P
HERSTELLER	Lumatek EU
EAN	5060560031208
STECKERTYP	UK/EU

### 3.2 Technische Daten

PPF	816 $\mu\text{mol/s}$
WIRKSAMKEIT	bis zu 2.7 $\mu\text{mol/J}$
SPEKTRUM	Vollspektrum +
LICHTQUELLE	höhere Spezifikation W/R/FR LED
DIMENSIONEN (LxWxH)	559.5 x 559.5 x 71.6mm
GEWICHT	5.2Kg
LEBENSDAUER	>60000H
BETRIEBSTEMPERATUR	-20° -- +40°C
BETRIEBSFEUCHTIGKEIT	20% - 90%
WASSERDICHT / STAUBDICHT	IP65
ABSTRAHLWINKEL	120°
HARMONISCH	<15%
MANUELLES DIMMEN/EXTERNE BELEUCHTUNGSSTEUERUNG	0-10V Signalprotokoll

EINGANGSSPANNUNG (V)	DIMMVERHÄLTNIS	EINGANGSLEISTUNG (W)	EINGANGSSTROM (A)
Vmains=230V 50/60Hz AC	100%	317	1.45
	75%	235	1.04
	50%	157	0.73
	25%	81	0.42
Vmains=240V 50/60Hz AC	100%	317	1.4
	75%	233	1.02
	50%	156	0.72
	25%	80	0.41
Vmains=277V 50/60Hz AC	100%	317	1.25
	75%	229	0.94
	50%	156	0.62
	25%	80	0.42

Abb 1. Abmessungen der Halterung



### 3.3 Spektraler Quantenverteilungsgraph

Die ATS Pro-Serie verwendet hocheffiziente weiße, rote und weit rote LEDs für den Gartenbau, um ein ausgewogenes Vollspektrum an Qualitätslicht zu erzeugen, das ideal für die Photosynthese geeignet ist.

Abb. 2. SQD-Diagramm mit vollem Spektrum +

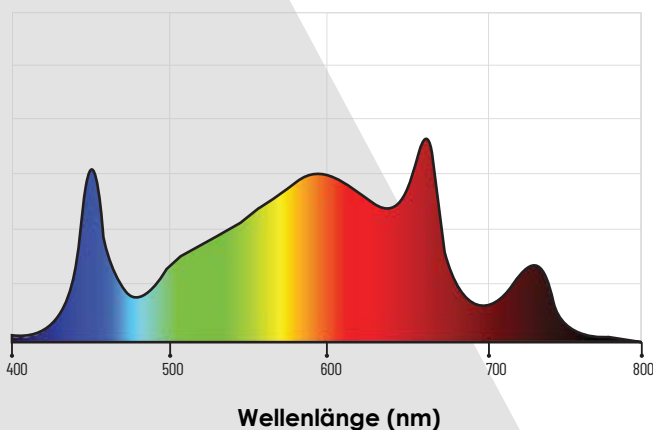
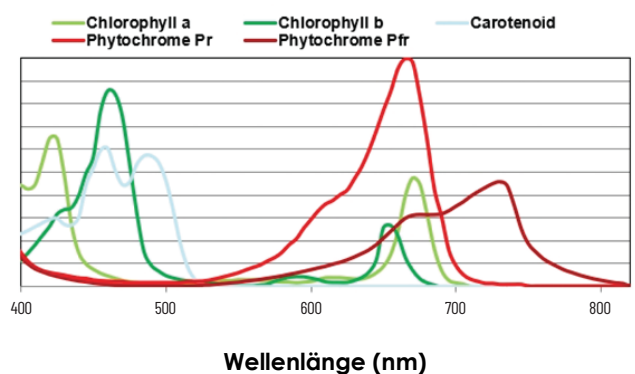
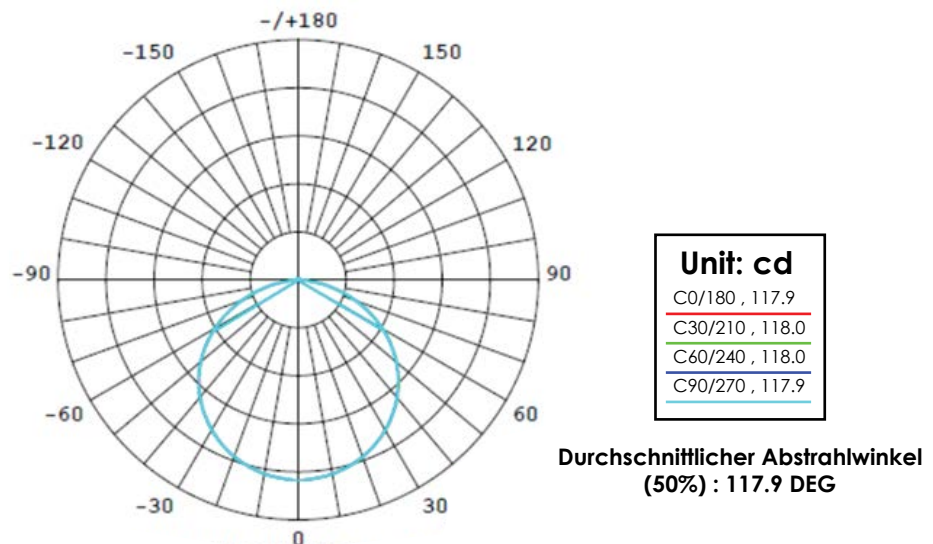


Abb. 3. Lichtabsorptionskurve für Pflanzen



### 3.4 Lichtverteilung



### 3.5 Umwelt

Die LED-Leuchte ist für die Verwendung in klimatisierten Gewächshäusern und Indoor-Farmen vorgesehen. Das Produkt kann in feuchten, aber nicht nassen Umgebungen sowie im Freien verwendet werden. Das Produkt kann bei Umgebungstemperaturen von -10 °C bis 40 °C betrieben werden, funktioniert aber optimal bei Temperaturen zwischen 20 °C und 30 °C. Das Produkt kann bei einer Luftfeuchtigkeit von 20 % bis 90 % (nicht kondensierend) betrieben werden.

### 3.6 Rechtliche Hinweise

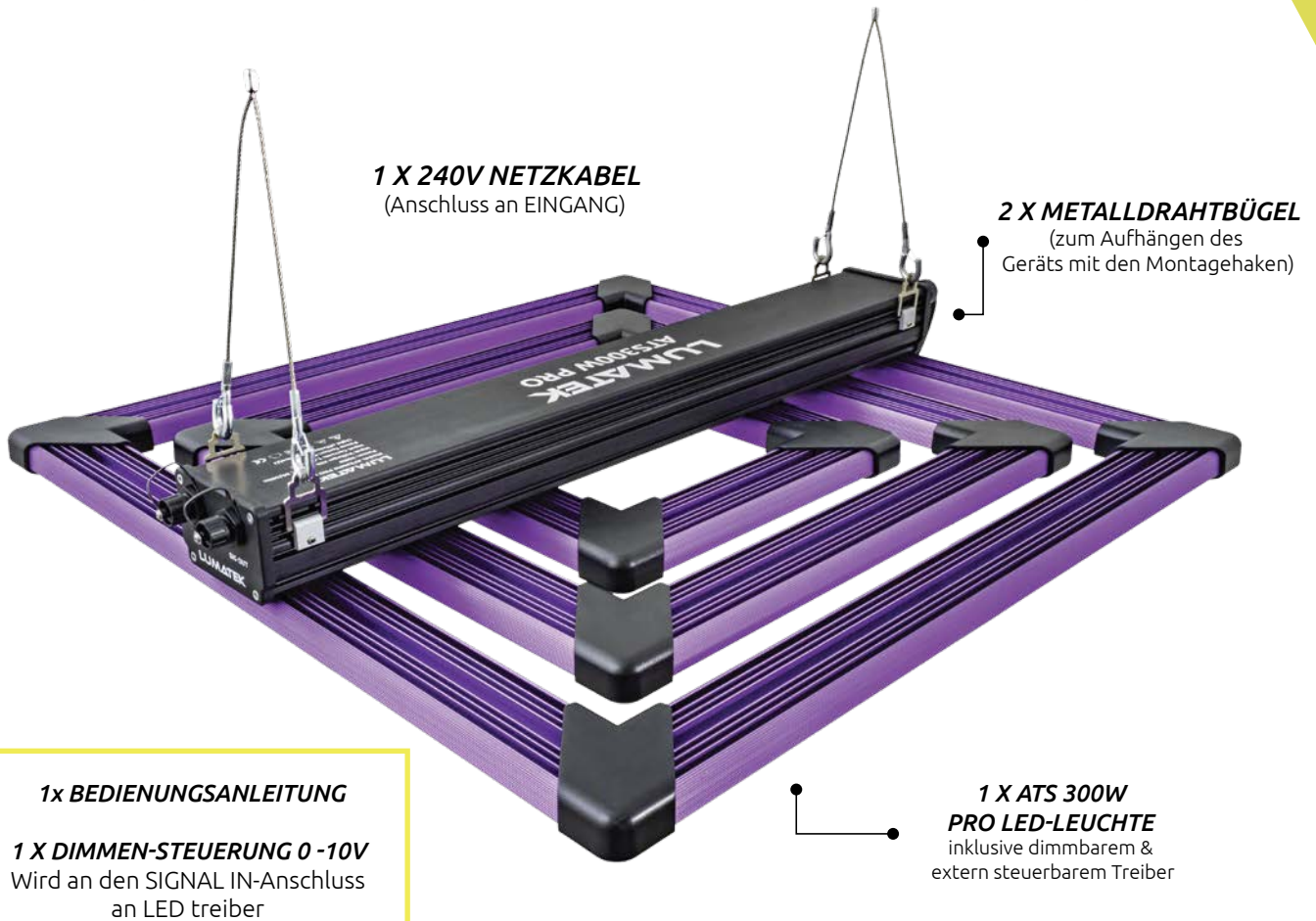
**Dieses Produkt ist CE & UKCA-zertifiziert und erfüllt die Teststandards der LVD- und EMV-Richtlinie.**

## 4. SICHERHEITSEMPFEHLUNGEN UND WARNHINWEISE

**Warnung!** Lesen Sie die folgenden Warnhinweise sorgfältig durch, bevor Sie das Produkt verwenden oder mit ihm arbeiten!

- Halten Sie sich bei der Installation oder Verwendung des LED-Geräts immer an die örtlichen Vorschriften und Regeln.
- Öffnen oder zerlegen Sie das LED-Gerät nicht, da im Inneren keine zu wartenden Teile enthalten sind. Das Öffnen oder Verändern des LED-Geräts kann gefährlich sein und führt zum Erlöschen der Garantie.
- Verwenden Sie das LED-Gerät nicht, wenn entweder das LED-Gerät oder das Netzkabel beschädigt sind. Ersetzen Sie das Netzkabel nur durch ein korrekt bemessenes Kabel.
- Änderungen an den Kabeln können zu unerwünschten elektromagnetischen Auswirkungen führen, wodurch das Produkt möglicherweise nicht den gesetzlichen Anforderungen entspricht.
- Setzen Sie die LED-Leuchte Folgendem nicht aus:
  - Kondensierende Feuchtigkeit, starker Nebel oder Sprühregen;
  - Umgebungstemperaturen außerhalb des angegebenen Bereichs;
  - Staub und Verunreinigungen;
  - Direktes Sonnenlicht während des Gebrauchs oder HID-Licht, das den Treiber erhitzen kann.
- Trennen Sie das LED-Gerät immer vom Stromnetz, bevor Sie Wartungsarbeiten durchführen.
- Lassen Sie das LED-Gerät mindestens 20-30 Minuten abkühlen, bevor Sie es berühren. Das Berühren des eingeschalteten LED-Geräts oder unmittelbar danach kann zu Verbrennungen führen!
- Die natürliche Konvektion transportiert die Wärme vom Kühlkörper weg. Damit sich das System richtig abkühlen kann, ist ein Abstand von mindestens 5 cm zwischen dem Gerät und dem Dach Ihres Zuchtbereichs erforderlich.
- Verwenden Sie keine scheuernden Materialien oder aggressive Reinigungsmittel, um das LED-Gerät zu reinigen, da dies die Sekundäroptik beschädigen kann. Verwenden Sie stattdessen ein sauberes, feuchtes Tuch.
- Verwenden Sie die LED-Leuchte nicht in der Nähe von brennbaren, explosiven oder reaktiven Stoffen. Die LED-Leuchte kann Temperaturen von 40°C erreichen.
- Verwenden Sie keine Schwefelverdampfer oder Wasserzerstäuber.
- Die Installation und Verwendung der LED-Leuchte liegt in der Verantwortung des Endverbraucher. Unsachgemäße Verwendung oder Installation kann zu Ausfällen und Schäden an der LED-Leuchte führen. Schäden an der LED-Leuchte und der elektronischen Schaltung durch unsachgemäße Installation und Verwendung führen zum Erlöschen der Garantie.

## 5. INHALT



## 6. INSTALLATION

**Warnung!** Die Montage und Installation der LED-Leuchte muss in Übereinstimmung mit den geltenden lokalen Gesetzen und Vorschriften erfolgen.

**Warnung!** Der Installateur ist für eine korrekte und sichere Installation verantwortlich.

**Warnung!** Stellen Sie sicher, dass die lokale Verkabelung den Spannungs- und Stromanforderungen der LED-Leuchte gerecht wird.

**Warnung!** Vermeiden Sie gewickelte Kabel und halten Sie Netzleitungen getrennt, um elektromagnetische Störungen zu vermeiden.

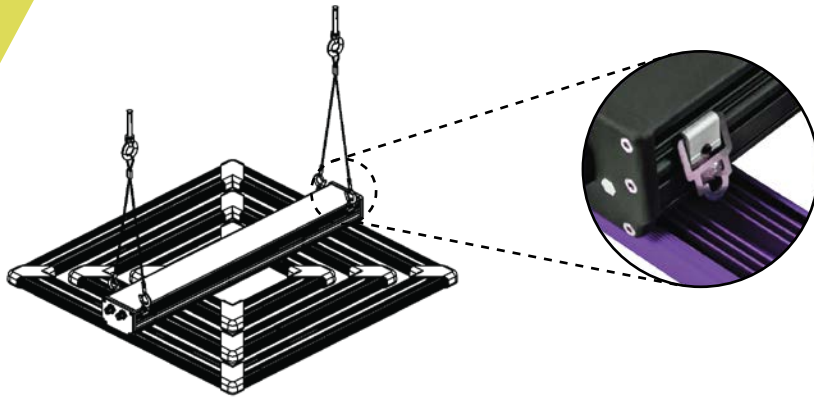
**Warnung!** Verbinden oder trennen Sie das LED-Gerät nicht unter Last.

### Montage & Installation

**Warnung!** Befestigen Sie das System an etwas, das das Gewicht der LED-Leuchte tragen kann.

Befestigen Sie die Metalldrahtbügel an den Montagehaken, die sich an den Seiten des Gerätetreibers befinden. Hängen Sie das Gerät in der gewünschten Position und Höhe auf. Für eine optimale Leistung sollten Sie das Gerät 15 - 40 cm über den Pflanzen positionieren. Stellen Sie sicher, dass das Gerät horizontal aufgehängt ist.





Befestigen Sie Metallkabelaufhängungen an den Montagehaken

## 6.2 Anschluss des manuellen Dimmers oder der externen Lichtsteuerung & Einstellen der Lichtintensität (Dimmen)

Die LED-Leuchte kann über den SIG IN-Anschluss des Treibers mit einem manuellen Dimm-Controller (im Lieferumfang enthalten) oder einem externen digitalen Beleuchtungscontroller (separat erhältlich) verbunden werden, so dass die Lichtintensität (PPF-Level) zwischen 20 % und 100 % Lichtleistung eingestellt werden kann.

Die Lichtintensität der LED-Leuchte kann angepasst werden, ohne das Spektrum zu verändern oder an Effizienz zu verlieren. Das bedeutet, dass die PPF-Stufe zur Vermehrung, dem Klonen oder der vegetativen und blühenden Wachstumszyklen eingestellt werden kann, ohne dass die Leuchte angehoben oder abgesenkt werden muss, wobei die Lichtverteilung von 1 x 1 m erhalten bleibt.

Die Dimm- oder Lichtsteuerung wird an den Anschluss SIG IN des Gerätetreibers angeschlossen. Lösen Sie die Staubschutzkappe, stellen Sie sicher, dass die Stecker richtig ausgerichtet sind und schieben Sie sie zusammen, bis sie mit einem Klick einrasten. Zum Lösen: Drehverriegelung gegen den Uhrzeigersinn drehen und auseinanderziehen.



**ENTFERNEN SIE DIE STAUBKAPPE UND SCHLIEßEN SIE DEN DIMMER ODER CONTROLLER AN DEN SIG IN-ANSCHLUSS AN.**

## 6.3 Reihenschaltung von Geräten zu externer Steuerung

Verbinden Sie das Ausgangssignalkabel der Beleuchtungssteuerung mit dem Anschluss SIG IN des Geräts 1, indem Sie die Anschlüsse korrekt ausrichten und zusammenschieben, bis sie mit einem Klick einrasten.

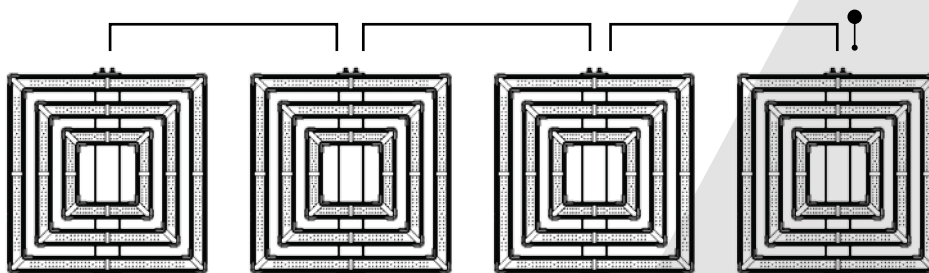
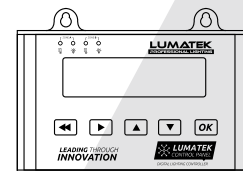
Verbinden Sie das Daisy-Chain-Steuersignalkabel (separat erhältlich) vom Anschluss SIG OUT des Geräts 1 mit dem Anschluss SIG IN des Geräts 2.

Die Verkettung kann durch Drehen des Drehverschlusses gegen den Uhrzeigersinn und Ziehen gelöst werden.

Weitere Geräte können in Reihe angeschlossen werden, bis zu 100 Geräte pro Steuerung (50 pro Zone), siehe Abb. 1

Detaillierte Anweisungen [finden Sie im Benutzerhandbuch des Lumatek Control Panel Plus.

Die LED-Leuchte verwendet ein 0-10-V-Befehlssignalprotokoll. Positionieren und hängen Sie jede Leuchte entsprechend auf.



## 6.4 Anschluss der LED-Leuchte an das Stromnetz

**Warnung!** Stellen Sie sicher, dass die Netzspannung ausgeschaltet ist.

**Warnung!** Stellen Sie sicher, dass das Stromversorgungskabel nicht aufgewickelt ist und keine heißen Oberflächen berührt.

**Warnung!** Schließen Sie die Kabel gemäß den örtlichen Vorschriften, Sicherheitsbestimmungen und Elektrovorschriften an.

**Warnung!** Wenn Sie keine externe Lichtsteuerung verwenden, stellen Sie sicher, dass das externe Schaltgerät den Einschaltstrom der LED-Leuchte bewältigen kann. Es wird empfohlen, ein Zeitschalterschütz zu verwenden, das zum Schalten einer kapazitiven Last geeignet ist. Darunter fallen keine Haushalts-Zeitschaltuhren!

Vergewissern Sie sich, dass die selbstverriegelnde Buchse des LED-Treiber-Stromversorgungskabels korrekt auf den entsprechenden INPUT-Stecker am Treiber ausgerichtet ist. Drücken Sie sie zusammen, bis sie mit einem Klick einrastet.

Zum Trennen: Drehen Sie den Drehverschluss gegen den Uhrzeigersinn, um ihn zu entriegeln und ziehen Sie ihn vom Treiber ab.

Schließen Sie das Gerät an das Schaltgerät/Netzgerät an. Schalten Sie die Netzspannung ein.

**Warnung!** Verbinden oder trennen Sie das LED-Gerät nicht unter Last.

## 7. INSPEKTION, WARTUNG UND REPARATUR

**Warnung!** Trennen Sie das LED-Gerät vom Netz, bevor Sie Wartungs- oder Reparaturarbeiten durchführen.

**Warnung!** Verbinden oder trennen Sie das LED-Gerät nicht unter Last.

**Warnung!** Öffnen oder zerlegen Sie das LED-Gerät nicht, da im Inneren keine zu wartenden Teile enthalten sind. Das Öffnen oder Verändern des LED-Geräts kann gefährlich sein und führt zum Erlöschen der Garantie.

**Warnung!** Warten Sie immer 20 - 30 Minuten, bis die LED-Lichtleisten abgekühlt sind.

**Achtung!** Reinigen Sie das LED-Gerät nicht mit Reinigungsmitteln, Scheuermitteln oder anderen aggressiven Substanzen.

Prüfen Sie die LED-Leuchte regelmäßig auf Staub- oder Schmutzablagerungen. Reinigen Sie das Gerät, wenn nötig. Verschmutzungen können zu Überhitzung und Leistungsminderung führen. Reinigen Sie die Außenseite des LED-Geräts mit einem trockenen oder feuchten Tuch.

Überprüfen Sie die Kabel des LED-Geräts regelmäßig auf Beschädigungen.

## 8. LAGERUNG UND ENTSORGUNG

Lagern Sie das LED-Gerät in einer trockenen und sauberen Umgebung bei einer Umgebungstemperatur von -25 °C bis 55 °C.

Das Produkt darf nicht als unsortierter Restabfall entsorgt werden, sondern muss zum Zwecke der Behandlung, Verwertung und umweltgerechten Entsorgung getrennt gesammelt werden.

## 9. GARANTIE

Lumatek garantiert für einen Zeitraum von drei (3) Jahren ab dem ursprünglichen Kaufdatum, dass die mechanischen und elektronischen Komponenten des Produkts bei Verwendung unter normalen Betriebsbedingungen frei von Material- und Verarbeitungsfehlern sind. Wenn das Produkt innerhalb dieses Zeitraums einen Defekt aufweist und dieser Defekt nicht auf einen Benutzerfehler oder unsachgemäßen Gebrauch zurückzuführen ist, wird Lumatek das Produkt nach eigenem Ermessen entweder ersetzen oder reparieren, indem geeignete neue oder überholte Produkte oder Teile verwendet werden. Falls Lumatek sich entscheidet, das gesamte Produkt zu ersetzen, gilt diese eingeschränkte Garantie für das Ersatzprodukt für die verbleibende ursprüngliche Garantiezeit, d.h. drei (3) Jahre ab dem Kaufdatum des Originalprodukts. Um diesen Garantieanspruch zu nutzen, bringen Sie das Produkt zusammen mit dem originalen Kaufbeleg bitte zum Geschäft zurück.

# MANUALE LUMATEK ATS 300W PRO LED

ITALIANO

## INDICE DEI CONTENUTI

- 1. Introduzione**
- 2. Descrizione del prodotto**
- 3. Informazioni e specifiche del prodotto**
  - 3.1 Informazioni generali sul prodotto
  - 3.2 Specifiche tecniche
  - 3.3 Grafico di distribuzione quantistica spettrale
  - 3.4 Curva di distribuzione della luce
  - 3.5 Ambiente
  - 3.6 Legale
- 4. Raccomandazioni e avvertenze di sicurezza**
- 5. Contenuti**
- 6. Installazione**
  - 6.1 Montaggio e installazione dell'apparecchio
  - 6.2 Collegare il regolatore di luminosità manuale o esterno e regolare l'intensità della luce (oscuramento)
  - 6.3 Collegare gli apparecchi in serie per il controllo esterno
  - 6.4 Collegamento dell'apparecchio a LED alla rete elettrica
- 7. Ispezione, manutenzione e riparazione**
- 8. Stoccaggio e smaltimento**
- 9. Garanzia**

## 1. INTRODUZIONE

Grazie per aver acquistato l'apparecchio Lumatek ATS300W ProLED. Questo manuale descrive come installare e utilizzare l'apparecchio ATS300W Pro LED; si prega di leggere attentamente questo manuale prima di tentare di installare o utilizzare qualsiasi sistema Lumatek ATS Series. Se non siete a vostro agio con l'installazione di sistemi di illuminazione ad alte prestazioni, dovrete cercare i servizi di un professionista dell'installazione qualificata.

## 2. DESCRIZIONE DEL PRODOTTO

Il Lumatek ATS300W Pro LED è un apparecchio elettronico a LED per orticoltura che utilizza un design compatto con un driver controllabile e regolabile dall'esterno. L'apparecchio ATS300W Pro è una soluzione di illuminazione superiore a ciclo completo ad alte prestazioni per la coltivazione orticola commerciale, con la potenza e la flessibilità per scalare dalla propagazione e la clonazione attraverso la crescita vegetativa a intensità di luce più elevate in fiore.

In questo manuale il Lumatek ATS300W ProLED sarà indicato come: "l'apparecchio LED".

## 3. INFORMAZIONI E SPECIFICHE DEL PRODOTTO

### 3.1 Informazioni generali sul prodotto

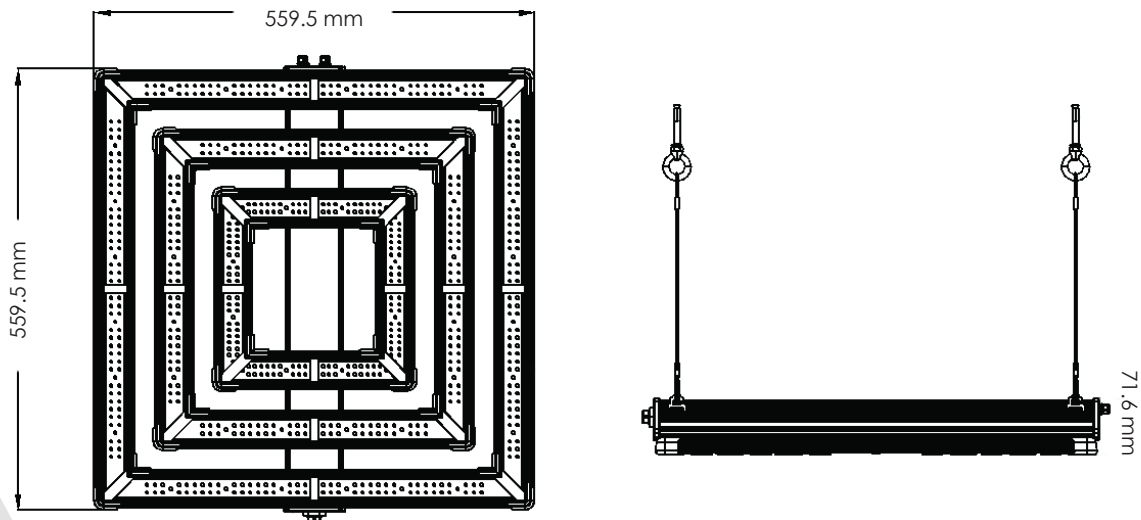
NOME DEL PRODOTTO	ATS300W PRO LED
NUMERO PARTE	LUMLED300P
FABBRICANTE	Lumatek EU
EAN	5060560031208
TIPO DI SPINA	UK/EU

### 3.2 Specifiche tecniche

PPF	816 $\mu\text{mol/s}$
EFFICACIA	Fino a 2.7 $\mu\text{mol/J}$
SPETTRO	Spettro completo +
FONTE DI LUCE	specifiche superiori W/R/FR LED
DIMENSIONI (LxWxH)	816 x 508 x 86mm
PESO	5.2Kg
DURATA DI VITA	>60000H
TEMPERATURA DI LAVORO	-20° -- +40°C
UMIDITÀ DI LAVORO	20% - 90%
IMPERMEABILE/ANTIPOLVERE	IP65
ANGOLO DEL FASCIO LUMINOSO	120°
ARMONICO	<15%
REGOLAZIONE INTENSITÀ LUMINOSA MANUALE/ CONTROLLER ILLUMINAZIONE ESTERNA	0-10V protocollo del segnale

TENSIONE IN INGRESSO (V)	RAPPORTO DI ATTENUAZIONE	POTENZA DI INGRESSO (W)	CORRENTE DI INGRESSO (A)
Vmains=230V 50/60Hz AC	100%	317	1.45
	75%	235	1.04
	50%	157	0.73
	25%	81	0.42
Vmains=240V 50/60Hz AC	100%	317	1.4
	75%	233	1.02
	50%	156	0.72
	25%	80	0.41
Vmains=277V 50/60Hz AC	100%	317	1.25
	75%	229	0.94
	50%	156	0.62
	25%	80	0.42

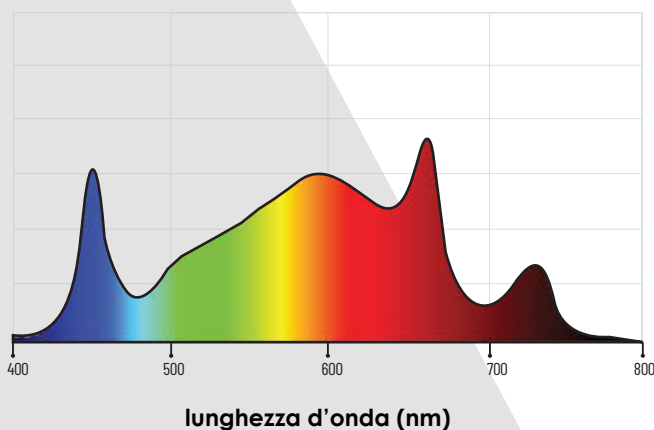
**Fig 1.** Dimensioni dell'apparecchio



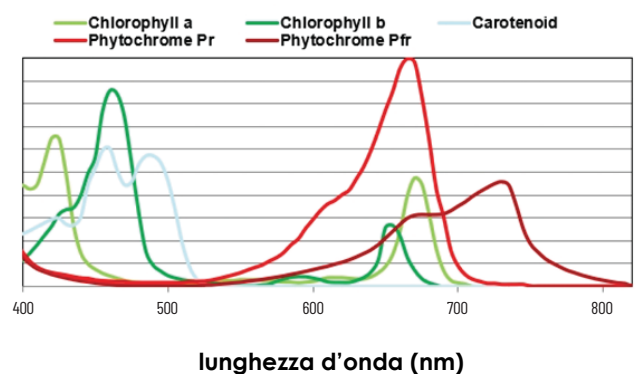
### 3.3 Grafico di Distribuzione Quantistica Spettrale

La serie ATS Pro utilizza LED orticoli bianchi, rossi e rossi lontani, altamente efficienti, per creare uno spettro completo ed equilibrato di luce di qualità ideale per la fotosintesi.

**Fig 2.** Grafico SQD che mostra lo spettro completo +

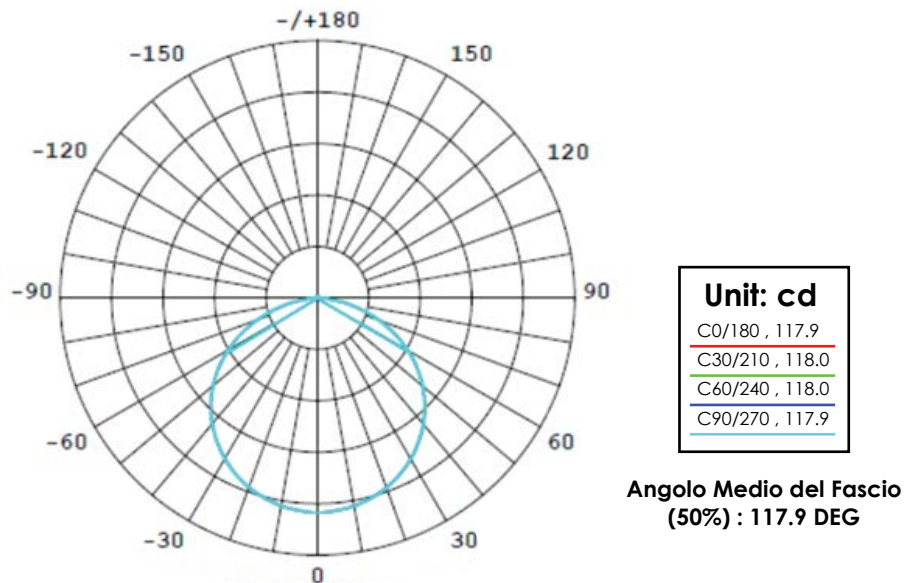


**Fig 3.** Curve di assorbimento della luce per le piante





### 3.4 Curva di distribuzione della luce



### 3.5 Ambiente

L'apparecchio a LED è destinato ad essere utilizzato in stanze di coltivazione a clima controllato e in aziende agricole al chiuso. Il prodotto può essere usato in ambienti umidi, ma non può essere usato in ambienti umidi o all'aperto.

Il prodotto funzionerà a temperature ambiente da -10°C a 40°C ma funzionerà a livello ottimale tra 20°C e 30°C.

Il prodotto funzionerà in un'umidità del 20% - 90%, senza condensa.

### 3.6 Legale

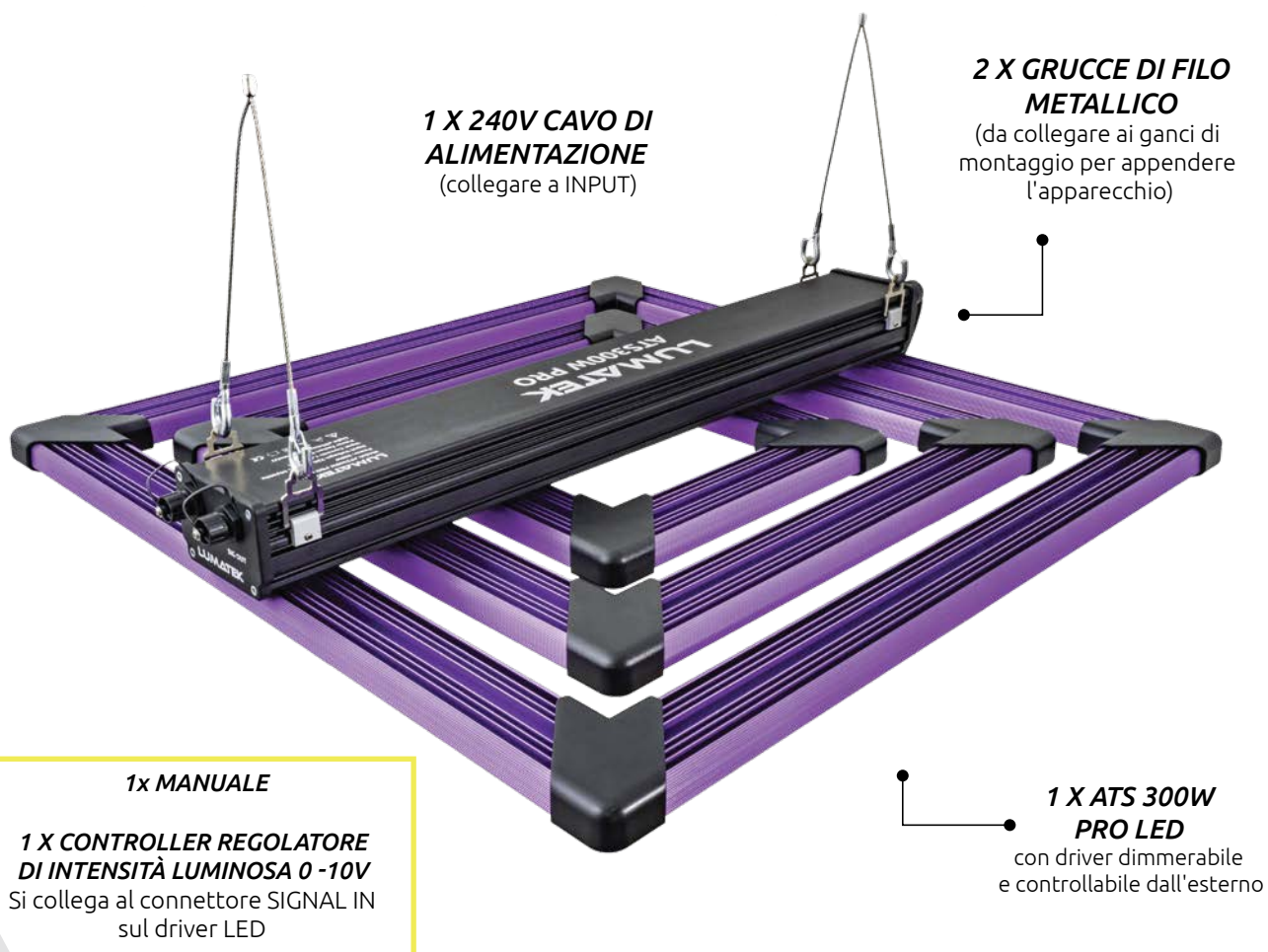
**Questo prodotto è certificato CE & UKCA conforme agli standard di prova delle direttive LVD ed EMC.**

## 4. RACCOMANDAZIONI E AVVERTENZE DI SICUREZZA

**Attenzione!** Leggere attentamente le avvertenze di seguito prima di utilizzare o lavorare con il prodotto!

- Rispettare sempre le norme e i regolamenti locali durante l'installazione o l'utilizzo dell'apparecchio a LED.
- Non aprire o smontare l'apparecchio a LED in quanto non contiene parti riparabili all'interno. L'apertura o la modifica del dispositivo del LED può essere pericoloso e invalidare la garanzia.
- Non utilizzare l'apparecchio a LED se l'apparecchio a LED o il cavo di alimentazione sono danneggiati. Sostituire il cavo di alimentazione esclusivamente con un cavo con impedenza nominale corretta.
- Le modifiche ai cavi possono portare a effetti elettromagnetici indesiderati che possono rendere il prodotto non conforme ai requisiti di legge.
- Non esporre l'apparecchio a LED a:
  - Condensa, nebbia pesante o spruzzo diretto;
  - Temperature ambiente fuori dal range specificato;
  - Polvere e contaminazione;
  - Luce solare diretta durante l'uso o luce HID che possono riscaldare il driver.
- Scollegare sempre l'apparecchio LED dalla rete prima di eseguire la manutenzione.
- Attendere sempre un periodo di raffreddamento di almeno 20-30 minuti prima di toccare l'apparecchio LED. Toccare l'apparecchio a LED quando è acceso o subito dopo può provocare ustioni!
- La conduzione naturale rimuove il calore dal dissipatore. Affinché il sistema si raffreddi adeguatamente, sono necessari almeno 5 cm di spazio tra l'apparecchio e il tetto dell'area di coltivazione.
- Non usare materiali abrasivi o detergenti aggressivi per pulire l'apparecchio a LED per evitare di danneggiare l'ottica secondaria. Utilizzare invece un tessuto/panno pulito e asciutto.
- Non utilizzare l'apparecchio a LED in prossimità di sostanze infiammabili, esplosive o reattivi. L'apparecchio a LED può raggiungere temperature di 40°C.
- Non usare vaporizzatori di zolfo o nebulizzatori d'acqua.
- L'installazione e l'uso dell'apparecchio LED sono di responsabilità dell'utente finale. L'uso o l'installazione errati possono portare a guasti e danni all'apparecchio LED. Il danneggiamento dell'apparecchio a LED e dei circuiti elettronici a seguito di un'installazione e di un utilizzo errati fa decadere la garanzia.

## 5. CONTENUTI



**1 X 240V CAVO DI ALIMENTAZIONE**  
(collegare a INPUT)

**2 X GRUCCE DI FILO METALLICO**  
(da collegare ai ganci di montaggio per appendere l'apparecchio)

**1x MANUALE**

**1 X CONTROLLER REGOLATORE DI INTENSITÀ LUMINOSA 0 -10V**  
Si collega al connettore SIGNAL IN sul driver LED

**1 X ATS 300W PRO LED**  
con driver dimmerabile e controllabile dall'esterno

## 6. IINSTALLAZIONE

**Attenzione!** Montare e installare l'apparecchio a LED in conformità con le leggi locali e i regolamenti applicabili.

**Attenzione!** L'installatore è responsabile per l'installazione corretta e sicura.

**Attenzione!** Assicurarsi che il cablaggio locale possa supportare i requisiti di tensione e corrente dell'apparecchio LED.

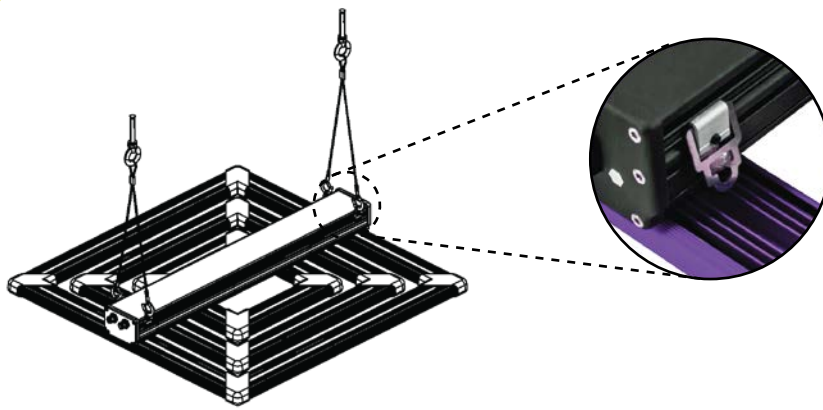
**Attenzione!** Evitare cavi attorcigliati e mantenere cavi di alimentazione separati per prevenire le interferenze elettromagnetiche.

**Attenzione!** Non collegare o scollegare l'apparecchio a LED quando sotto carico.

### 6.1 Montaggio e installazione dell'apparecchio

**Attenzione!** Montare il sistema su qualcosa che possa sostenere il peso dell'apparecchio a LED.

Fissare le grucce di filo metallico ai ganci di montaggio sui lati del conduttore del proiettore. Appendere l'apparecchio nella posizione e all'altezza desiderata. Per ottenere prestazioni ottimali, posizionare il proiettore 15-40 cm sopra la chioma della pianta. Assicurarsi che l'apparecchio sia appeso orizzontalmente.



Attaccare i ganci del cavo metallico ai ganci di fissaggio

## 6.2 Collegare il regolatore di luminosità manuale o esterno e regolare l'intensità della luce (oscuramento)

L'apparecchio a LED può essere collegato a un controller di regolazione manuale (incluso) o a un controller di illuminazione digitale esterno (venduto separatamente) tramite la porta SIG IN sul driver, consentendo di regolare l'intensità della luce (livello PPF) tra il 20% e il 100% dell'emissione luminosa. L'intensità luminosa dell'apparecchio a LED può essere regolata senza cambiare lo spettro o perdere efficienza. Questo significa che PPF può essere regolato al livello corretto per la propagazione, la clonazione, i cicli di crescita vegetativa e di fioritura senza dover alzare o abbassare l'apparecchio e mantenendo una diffusione della luce di 1m x 1m.

Il controllo del regolatore di luminosità o il controller dell'illuminazione è collegato al connettore SIG IN sul conduttore dell'apparecchio;

Allentare il coperchio antipolvere, assicurarsi che i connettori siano allineati correttamente e poi spingerli insieme fino a che non si chiudono a scatto.

Per rilasciare: girare il blocco a torsione in senso antiorario e tirare a parte.



**RIMUOVERE IL COPERCHIO ANTIPOLVERE E COLLEGARE IL REGOLATORE O IL DIMMER ALLA PORTA SIG IN.**

## 6.3 Collegare gli apparecchi in serie per il controllo esterno

Collegare il filo del segnale di uscita del regolatore di illuminazione al connettore SIG IN dell'apparecchio 1 allineando correttamente i connettori e spingendoli insieme fino a quando non si chiudono a scatto.

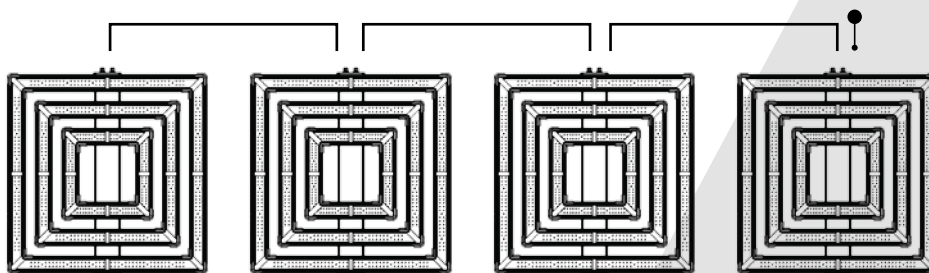
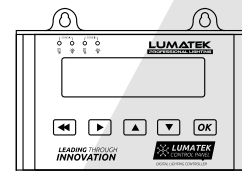
Collegare il filo del segnale di controllo a margherita (venduto separatamente) dal connettore SIG OUT dell'apparecchio 1 al connettore SIG IN dell'apparecchio 2.

Il filo del segnale di controllo a margherita può essere scollegato girando il blocco a torsione in senso antiorario per sbloccare e tirando per rilasciare.

Continuare a collegare gli apparecchi in serie per un massimo di 100 apparecchi per controllore (50 per zona) vedi Fig. 1

Per istruzioni dettagliate [consultare il manuale d'uso del Lumatek Pannello di controllo Plus.

L'apparecchio LED utilizza il protocollo del segnale di comando 0-10V. Posizionare e appendere ogni apparecchio in modo appropriato



## 6.4 Collegamento dell'apparecchio a LED alla rete elettrica

**Attenzione!** Assicurarsi che l'alimentazione di rete sia spenta.

**Attenzione!** Assicurarsi che il cavo di alimentazione non sia arrotolato e non tocchi alcuna superficie calda.

**Attenzione!** Collegare i cavi secondo le regole locali, le norme di sicurezza e il codice elettrico.

**Attenzione!** Se non si utilizza un regolatore di illuminazione esterno, assicurarsi che il dispositivo di commutazione esterno possa far fronte alla corrente di picco dell'apparecchio a LED. Si raccomanda di utilizzare un temporizzatore adatto a commutare un carico capacitivo e non un temporizzatore domestico per commutare l'apparecchio a LED!

Assicurarsi che il connettore femmina autobloccante del cavo di alimentazione del conduttore LED sia correttamente allineato al corrispondente connettore maschio INPUT sul conduttore e spingerlo insieme fino a quando non si blocca con un clic.

Per scollegare, girare il blocco a torsione in senso antiorario per sbloccare ed estrarre dall'autista.

Collegare al dispositivo di commutazione/alimentazione. Inserire l'alimentazione di rete.

**Attenzione!** Non collegare o scollegare l'apparecchio LED sotto carico.

## 7. ISPEZIONE, MANUTENZIONE E RIPARAZIONE

**Attenzione!** Scollegare l'apparecchio dalla rete LED prima di eseguire qualsiasi intervento di manutenzione o riparazione.

**Attenzione!** Non collegare o scollegare l'apparecchio a LED sotto carico.

**Attenzione!** Non aprire o smontare l'apparecchio a LED, non contiene parti riparabili. L'apertura del dispositivo a LED può essere pericoloso e invalidare la garanzia.

**Attenzione!** Attendere sempre 20 - 30 minuti per consentire alle barre luminose a LED di raffreddarsi.

**Cautela!** Non pulire l'apparecchio a LED con detersivi, abrasivi o altre sostanze aggressive.

Controllare regolarmente l'apparecchio a LED per verificare che non vi siano accumuli di polvere o sporcizia. Pulire se necessario. La contaminazione può causare il surriscaldamento e la diminuzione delle prestazioni. Pulire l'esterno dell'apparecchio a LED utilizzando un panno asciutto o umido.

Controllare regolarmente i cavi dell'apparecchio a LED per assicurarsi che non siano danneggiati.

## 8. STOCCAGGIO E SMALTIMENTO

Conservare l'apparecchio LED in un ambiente asciutto e pulito, con una temperatura ambiente da -25°C a 55°C. Il prodotto non deve essere gettato come rifiuto urbano indifferenziato, ma deve essere raccolto separatamente ai fini del trattamento, del recupero e dello smaltimento ecologico.

## 9. GARANZIA

Lumatek garantisce che i componenti meccanici ed elettronici del suo prodotto sono esenti da difetti di materiale e di lavorazione se utilizzati in condizioni operative normali per un periodo di tre (3) anni dalla data originale di acquisto. Se il prodotto mostra dei difetti entro questo periodo e tale difetto non è dovuto ad un errore dell'utente o ad un uso improprio Lumatek dovrà, a sua discrezione, sostituire o riparare il prodotto utilizzando prodotti o parti nuove o ricondizionate adeguate. Nel caso in cui Lumatek decida di sostituire l'intero prodotto, questa garanzia limitata si applicherà al prodotto sostitutivo per il restante periodo di garanzia iniziale, cioè tre (3) anni dalla data di acquisto del prodotto originale. Per l'assistenza; restituire il prodotto al negozio con la ricevuta d'acquisto originale.

# MANUEL LUMATEK ATS 300W PRO LED

FRANÇAIS

## TABLE DES MATIÈRES

- 1. Introduction**
- 2. Description du produit**
- 3. Informations et spécifications du produit**
  - 3.1 Informations générales sur le produit
  - 3.2 Spécifications techniques
  - 3.3 Graphique de distribution spectrale quantique
  - 3.4 Courbe de distribution de la lumière
  - 3.5 Environnement
  - 3.6 Mentions légales
- 4. Recommandations de sécurité et avertissements**
- 5. Contenu**
- 6. Installation**
  - 6.1 Assemblage et installation du luminaire
  - 6.2 Raccordement du gradateur manuel ou du contrôleur d'éclairage externe et réglage de l'intensité lumineuse (gradation)
  - 6.3 Connexion des appareils en série pour un contrôle externe
  - 6.4 Connexion du luminaire LED au réseau électrique
- 7. Inspection, entretien et réparation**
- 8. Stockage et élimination**
- 9. Garantie**



## 1. INTRODUCTION

Nous vous remercions d'avoir acheté le luminaire à LED ATS 300W Pro. Ce manuel décrit comment installer et utiliser le luminaire à LED ATS 300WPro. Veuillez lire attentivement ce manuel avant de tenter d'installer ou d'utiliser tout système de la série ATS de Lumatek. Si vous n'êtes pas à l'aise avec l'installation de systèmes d'éclairage à haute performance, vous devez faire appel aux services d'un professionnel de l'installation qualifié.

## 2. DESCRIPTION DU PRODUIT

Le ATS 300W Pro LED est un luminaire électronique à LED pour l'horticulture, de conception compacte, avec un pilote contrôlable et gradable de l'extérieur. Le ATS 300W Pro est une solution d'éclairage haute performance à cycle complet pour la culture horticole commerciale, avec la puissance et la flexibilité nécessaires pour passer de la propagation et du clonage à la croissance végétative et à des intensités lumineuses plus élevées en floraison.

Dans ce manuel, le ATS 300W Pro LED sera appelé : " le luminaire LED ".

## 3. INFORMATIONS ET SPÉCIFICATIONS SUR LE PRODUIT

### 3.1 Informations générales sur le produit

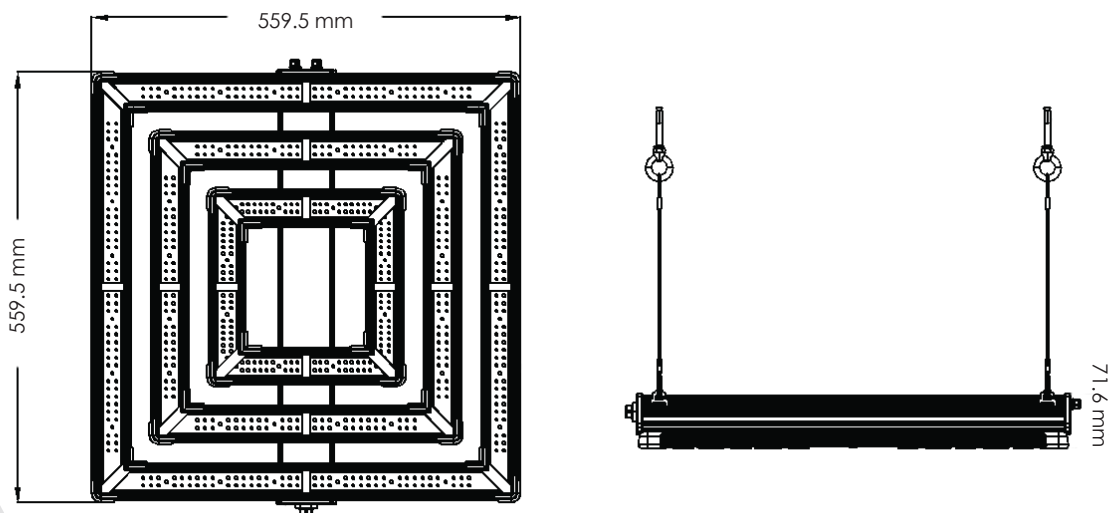
NOM DU PRODUIT	ATS300W PRO LED
NUMÉRO DE PIÈCE	LUMLED300P
FABRICANT	Lumatek EU
EAN	5060560031208
TYPE DE FICHE	UK/EU

### 3.2 Spécifications techniques

PPF	816 $\mu\text{mol/s}$
EFFICACITÉ	jusqu'à 2.7 $\mu\text{mol/J}$
SPECTRE	Spectre complet +
SOURCE LUMINEUSE	spécification plus élevée W/R/FR LED
DIMENSIONS (LxWxH)	559.5 x 559.5 x 71.6mm
POIDS	5.2Kg
DURÉE DE VIE	>60000H
TEMPÉRATURE DE FONCTIONNEMENT	-20° -- +40°C
TAUX D'HUMIDITÉ ACCEPTÉ	20% - 90%
RÉSISTANCE À L'EAU/POUSSIÈRE	IP65
ANGLE DE RAYONNEMENT	120°
HARMONIQUE	<15%
VARIATION MANUELLE/ CONTRÔLEUR DE LAMPE EXTERNE	Protocole de signal 0-10V

TENSION D'ENTRÉE (V)	RAPPORT DE GRADATION	PUISSANCE D'ENTRÉE (W)	COURANT D'ENTRÉE (A)
Vmains=230V 50/60Hz AC	100%	317	1.45
	75%	235	1.04
	50%	157	0.73
	25%	81	0.42
Vmains=240V 50/60Hz AC	100%	317	1.4
	75%	233	1.02
	50%	156	0.72
	25%	80	0.41
Vmains=277V 50/60Hz AC	100%	317	1.25
	75%	229	0.94
	50%	156	0.62
	25%	80	0.42

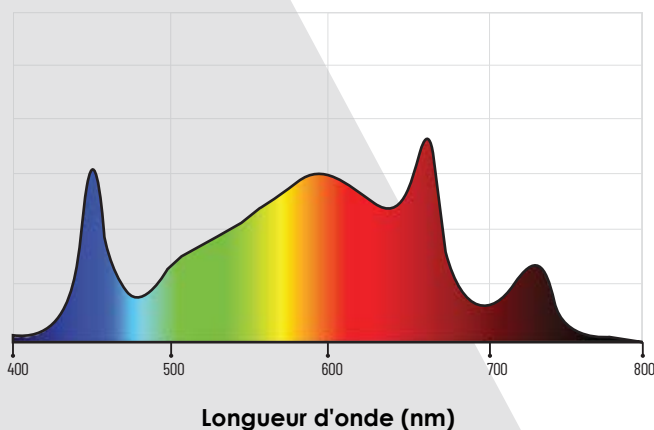
**Fig 1.** Dimensions du luminaire



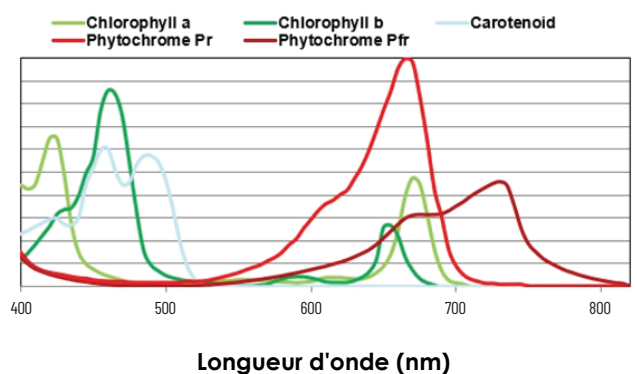
### 3.3 Graphique de distribution quantique spectrale

La série ATS Pro utilise des LED horticoles blanches, rouges et extrêmement rouges de haute qualité pour créer un spectre complet et équilibré de lumière de qualité, idéal pour la photosynthèse.

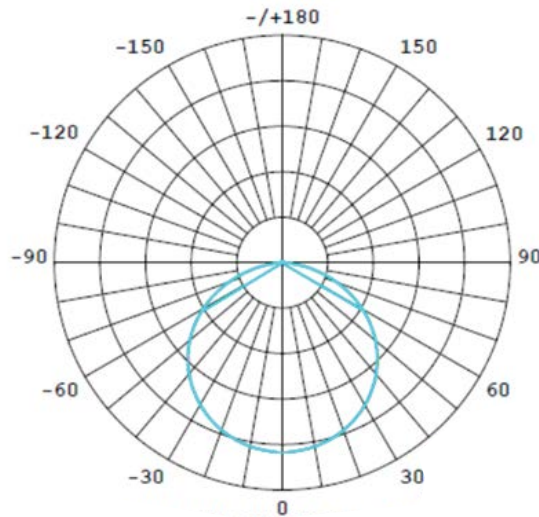
**Fig 2.** Graphique SQD montrant le spectre complet +



**Fig 3.** Courbes d'absorption de la lumière pour les plantes



### 3.4 Courbe de distribution de la lumière



Angle de faisceau moyen  
(50%) : 117.9 DEG

### 3.5 Environnement

Le luminaire LED est destiné à être utilisé dans des salles de culture et des fermes intérieures à climat contrôlé. Le produit peut être utilisé dans des environnements humides mais ne peut pas être utilisé dans des environnements humides ou à l'extérieur.

Le produit fonctionnera à des températures ambiantes comprises entre -10°C et 40°C mais fonctionnera de manière optimale entre 20°C et 30°C.

Le produit fonctionnera dans une humidité de 20% à 90%, sans condensation.

### 3.6 Mentions légales

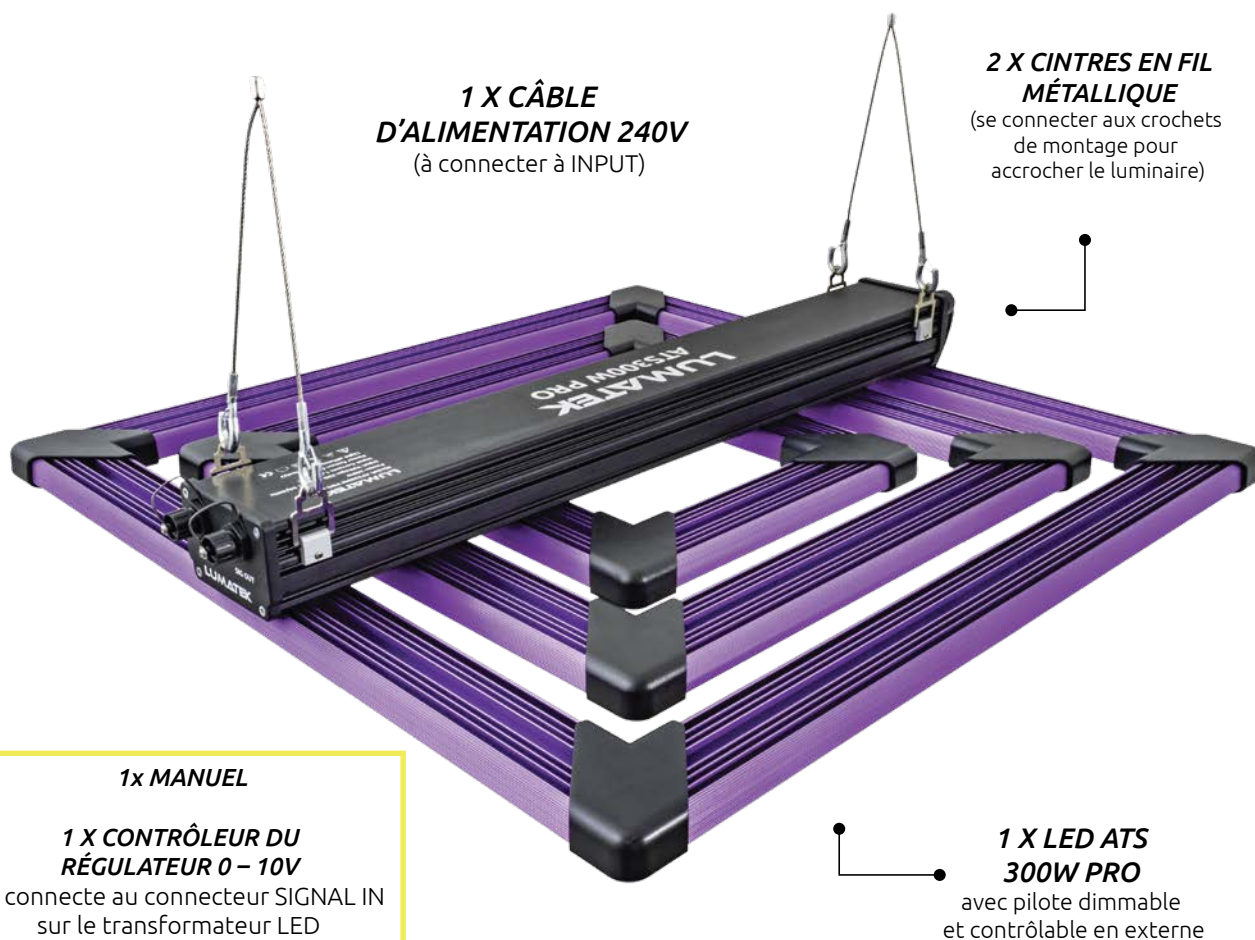
**Ce produit est certifié CE & UKCA et est conforme aux norms de test des directives LVD et EMC.**

## 4. RECOMMANDATIONS ET AVERTISSEMENTS DE SÉCURITÉ

**Avertissement ! Veuillez lire attentivement les avertissements ci-dessous avant d'utiliser ou de mettre en marche le produit !**

- Respectez toujours les règles et réglementations locales lors de l'installation ou de l'utilisation du luminaire à LED.
- N'ouvrez pas et ne démontez pas la lampe LED car elle contient des pièces non remplaçables à l'intérieur. L'ouverture ou la modification de la lampe LED peut être dangereux et révoquera la garantie.
- N'utilisez pas cette lampe LED si celle-ci ou le câble d'alimentation sont endommagés. Remplacez le câble d'alimentation uniquement par des câbles d'alimentation certifiés.
- Toute modification des câbles peut entraîner des effets électromagnétiques indésirables qui peuvent rendre le produit non conforme aux exigences légales.
- N'exposez pas cette lampe LED à:  
Une humidité condensée, une brume épaisse ou un jet direct ;  
Températures ambiantes en dehors de la plage spécifiée ;  
Poussière et contamination ;  
La lumière directe du soleil pendant l'utilisation ou une lumière HID qui pourrait chauffer le driver.
- Déconnectez toujours la lampe LED de l'alimentation avant d'effectuer quelque maintenance.
- Laissez toujours refroidir la lampe LED pendant une période d'au moins 20-30 minutes avant de toucher les barres lumineuses LED. Toucher les barres lumineuses lorsque celles-ci sont chaudes peut engendrer de sévères brûlures !
- La convection naturelle retire la chaleur du dissipateur. Afin que le système puisse bien se refroidir de façon autonome, un espace de 5cm minimum est requis entre la lampe et le toit de votre zone de culture.
- N'utilisez pas de matériaux abrasifs ou de produits de nettoyage agressifs pour nettoyer la lampe LED car cela pourrait endommager les optiques secondaires. Utilisez un chiffon/tissu propre et sec à la place.
- N'utilisez pas la lampe LED proche de substances inflammables, explosives ou réactives. Cette lampe LED peut atteindre une température de 40°C.
- N'utilisez pas de vaporisateurs de sulfure ou de brumisateurs.
- L'installation et l'utilisation de la lampe LED est la responsabilité de l'utilisateur final. L'utilisation ou l'installation incorrecte de cette lampe LED peut engendrer sa défaillance ou son endommagement. L'endommagement de la lampe LED et du circuit électronique résultant d'une installation et/ou d'une utilisation incorrecte du produit révoquera sa garantie.

## 5. CONTENU



**1 X CÂBLE  
D'ALIMENTATION 240V**  
(à connecter à INPUT)

**2 X CINTRES EN FIL  
MÉTALLIQUE**  
(se connecter aux crochets  
de montage pour  
accrocher le luminaire)

**1x MANUEL**

**1 X CONTRÔLEUR DU  
RÉGULATEUR 0 – 10V**

Se connecte au connecteur SIGNAL IN  
sur le transformateur LED

**1 X LED ATS  
300W PRO**

avec pilote dimmable  
et contrôlable en externe

## 6. INSTALLATION

**Avertissement!** Le montage et l'installation du luminaire à LED doivent être conformes aux lois et réglementations locales en vigueur.

**Avertissement!** L'installateur est responsable de l'installation correcte et sûre.

**Avertissement!** Assurez-vous que le câblage local peut supporter les exigences de tension et de courant du luminaire à LED.

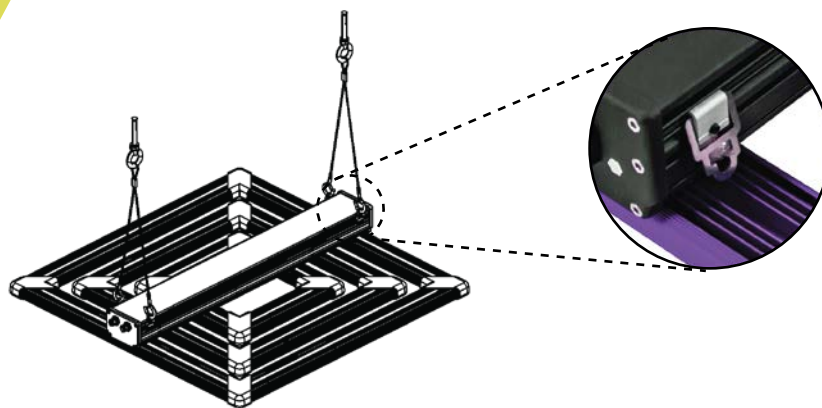
**Avertissement!** Évitez les câbles spiralés et gardez les fils d'alimentation séparés pour aider à prévenir les interférences électromagnétiques.

**Avertissement!** Ne pas connecter ou déconnecter le luminaire à LED sous charge.

### 6.1 Montage et installation de l'appareil

**Avertissement!** Montez le système sur un support capable de supporter le poids du luminaire à LED.

Fixez les cintres en fil métallique aux crochets de montage sur les côtés du conducteur du luminaire. Suspendez l'appareil dans la position et à la hauteur requises. Pour un rendement optimal, placez le luminaire à une hauteur de 15 – 40cm au-dessus du couvert végétal. Veillez à ce que le luminaire soit suspendu horizontalement.



Attachez les câbles d'attache en métal aux crochets de montage

## 6.2 Connexion du variateur manuel ou du contrôleur d'éclairage externe et réglage de l'intensité lumineuse (gradation)

Le luminaire LED peut être connecté à un contrôleur de gradation manuel (inclus) ou à un contrôleur d'éclairage numérique externe (vendu séparément) via le port SIG IN du driver, ce qui permet de régler l'intensité lumineuse (niveau PPF) entre 20 % et 100 %.

L'intensité lumineuse du luminaire à LED peut être ajustée sans modifier le spectre ni perdre en efficacité. Cela signifie que le PPF peut être ajusté au niveau correct pour la propagation, le clonage, les cycles de croissance végétative et de floraison sans avoir à élever ou à abaisser le luminaire et en maintenant une diffusion de la lumière de 1m x 1m.

La commande du gradateur ou le contrôleur d'éclairage est connecté au connecteur SIG IN sur le pilote du luminaire ;

Défaites le capuchon, assurez-vous que les connecteurs sont correctement alignés, puis poussez-les l'un vers l'autre jusqu'à ce qu'ils soient verrouillés par un clic.

Pour les libérer, tournez le verrou tournant dans le sens inverse des aiguilles d'une montre et séparez-les.



**RETIREZ LE CAPUCHON ET CONNECTEZ LE VARIATEUR OU LE CONTRÔLEUR AU PORT SIG IN.**

## 6.3 Connexion des appareils en série pour un contrôle externe

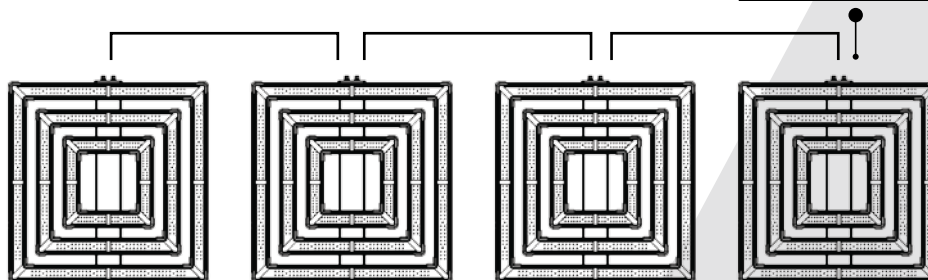
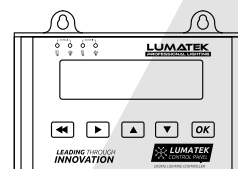
Connectez le câble de signal de sortie du contrôleur d'éclairage au connecteur SIG IN du projecteur 1 en alignant correctement les connecteurs et en les poussant jusqu'à ce qu'ils soient verrouillés. Connectez le câble de signal de contrôle de la guirlande (vendu séparément) du connecteur SIG OUT du luminaire 1 au connecteur SIG IN du luminaire 2.

Le câble de signal de commande de la guirlande peut être déconnecté en tournant le verrou tournant dans le sens inverse des aiguilles d'une montre pour le déverrouiller et en le tirant pour le libérer.

Continuez à connecter les appareils en série jusqu'à 100 appareils par contrôleur (50 par zone), voir Fig.

Pour des instructions détaillées, veuillez vous référer au manuel d'utilisation du panneau de contrôle Plus de Lumatek.

Le luminaire LED utilise un protocole de signal de commande de 0-10V. Positionnez et suspendez chaque appareil de manière appropriée





## 6.4 Connexion du luminaire à LED au secteur

**Avertissement!** Assurez-vous que l'alimentation secteur est coupée.

**Avertissement!** Assurez-vous que le câble d'alimentation n'est pas enroulé et qu'il ne touche pas de surfaces chaudes.

**Avertissement!** Connectez les câbles conformément aux règles locales, aux règlements de sécurité et au code électrique.

**Avertissement!** Si vous n'utilisez pas de contrôleur d'éclairage externe, assurez-vous que le dispositif de commutation externe peut supporter le courant d'appel du luminaire à LED. Il est recommandé d'utiliser un contacteur temporisé adapté à la commutation d'une charge capacitive et non des minuteriers domestiques pour commuter le luminaire LED !

Assurez-vous que le connecteur femelle autobloquant du câble d'alimentation du pilote LED est correctement aligné sur le connecteur mâle INPUT correspondant du pilote et poussez-le jusqu'à ce qu'il soit verrouillé par un clic.

Pour déconnecter, tournez le verrou tournant dans le sens inverse des aiguilles d'une montre pour le déverrouiller et retirez-le du driver.

Connectez à l'appareil de commutation/l'alimentation. Allumez l'alimentation secteur.

**Avertissement!** Ne pas connecter ou déconnecter le luminaire à LED sous charge.

## 7. CONTRÔLES, ENTRETIEN ET RÉPARATIONS

**Avertissement!** Déconnectez le luminaire à LED du secteur avant d'effectuer toute maintenance ou réparation.

**Avertissement!** Ne pas connecter ou déconnecter le luminaire à LED sous charge.

**Avertissement!** N'ouvrez pas ou ne démontez pas le luminaire à LED, il ne contient aucune pièce réparable. Ouvrir le luminaire à LED peut être dangereux et annule la garantie.

**Avertissement!** Attendez toujours 20 à 30 minutes pour que les barres lumineuses à DEL refroidissent.

**Attention!** Ne nettoyez pas le luminaire à LED avec des détergents, des abrasifs ou d'autres substances agressives.

Vérifiez régulièrement l'absence de poussière ou d'accumulation de saletés sur le luminaire à LED. Nettoyez-le si nécessaire. La contamination peut provoquer une surchauffe et une diminution des performances. Nettoyez l'extérieur du luminaire LED à l'aide d'un chiffon sec ou humide.

Vérifiez régulièrement les câbles du luminaire à LED pour vous assurer qu'ils ne sont pas endommagés.

## 8. STOCKAGE ET ÉLIMINATION

Stockez le luminaire LED dans un environnement sec et propre, avec une température ambiante comprise entre -25°C et 55°C.

Le produit ne doit pas être jeté comme un déchet municipal non trié mais doit être collecté séparément à des fins de traitement, de récupération et d'élimination écologiquement rationnelle.

## 9. GARANTIE

Lumatek garantit que les composants mécaniques et électroniques de son produit sont exempts de défauts de matériaux et de fabrication s'ils sont utilisés dans des conditions normales de fonctionnement pendant une période de trois (3) ans à compter de la date d'achat originale. Si le produit présente des défauts pendant cette période et que ces défauts ne sont pas dus à une erreur de l'utilisateur ou à une utilisation incorrecte, Lumatek remplacera ou réparera, à sa discrétion, le produit en utilisant des produits ou des pièces neufs ou reconditionnés appropriés. Si Lumatek décide de remplacer l'ensemble du produit, cette garantie limitée s'appliquera au produit de remplacement pour la période de garantie initiale restante, c'est-à-dire trois (3) ans à compter de la date d'achat du produit original. Pour le service, retournez le produit à votre magasin avec le reçu de vente original.

# LUMATEK ATS 300W PRO LED PŘÍRUČKA

ČEŠTINA

## OBSAH

- 1. Úvod**
- 2. Popis produktu**
- 3. Informace o produktu a technické údaje**
  - 3.1 Obecné produktové informace
  - 3.2 Technické specifikace
  - 3.3 Graf spektrálního kvantového rozdělení
  - 3.4 Křivka rozložení světla
  - 3.5 Prostředí
  - 3.6 Legální
- 4. Bezpečnostní doporučení a varování**
- 5. Obsah**
- 6. Instalace**
  - 6.1 Montáž a instalace svítidla
  - 6.2 Připojení ručního stmívače nebo externího ovladače osvětlení a nastavení intenzity světla (stmívání)
  - 6.3 Zapojování svítidel do série pro externí ovládání
  - 6.4 Připojení LED zařízení k elektrické síti
- 7. Inspekce, údržba a opravy**
- 8. Skladování a likvidace**
- 9. Záruka**

## 1. ÚVOD

Děkujeme, že jste si zakoupili LED svítidlo Lumatek ATS300W Pro. Tato příručka popisuje jak LED svítidlo ATS300W Pro nainstalovat a používat; před instalací nebo provozováním jakéhokoli systému řady Lumatek ATS si prosím pečlivě přečtete tuto příručku. Pokud vám instalace vysoce výkonných osvětlovacích systémů nevyhovuje, měli byste vyhledat služby kvalifikovaného instalačního odborníka.

## 2. POPIS PRODUKTU

Lumatek ATS300W Pro LED je elektronické pěstitelské LED svítidlo využívající kombinaci kompaktního designu s externě ovladatelným a stmívatelným ovladačem. Svítidlo ATS300W Pro je špičkové vysoce výkonné řešení osvětlení celého pěstitelského cyklu v pěstírnách s výkonem a flexibilitou v rozsahu od klíčení, přes vegetativní růst až po nejvyšší intenzitu světla v květu.

V této příručce bude Lumatek ATS300W Pro LED označován jako: „LED svítidlo“.

## 3. INFORMACE O PRODUKTU A TECHNICKÉ ÚDAJE

### 3.1 Obecné produktové informace

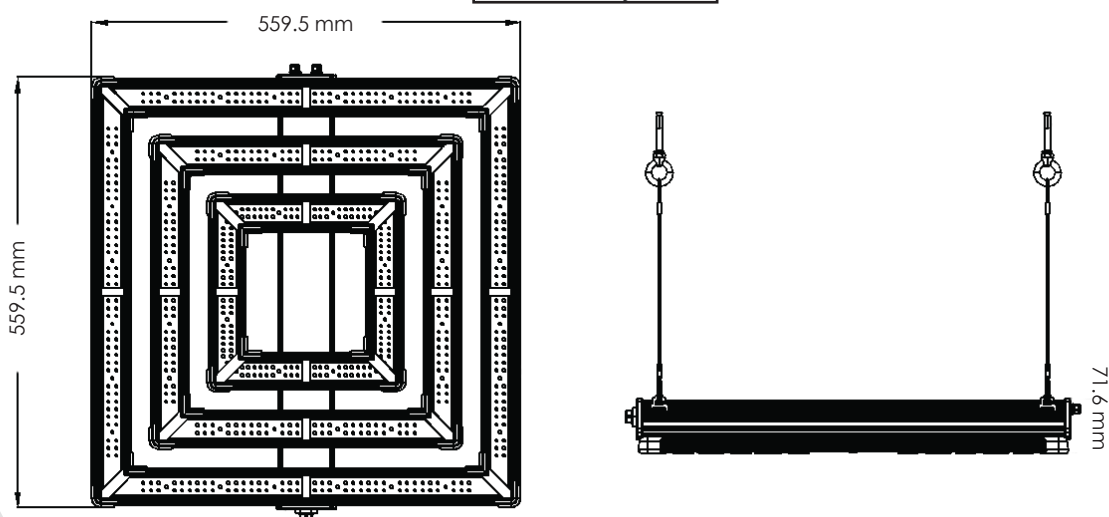
NÁZEV VÝROBKU	ATS300W PRO LED
VÝROBCE	LUMLED300P
ČÍSLO DÍLU	Lumatek EU
EAN	5060560031208
TYP ZÁSTRČKY	UK/EU

### 3.2 Technické specifikace

PPF	816 $\mu\text{mol/s}$
ÚČINNOST	až k 2.7 $\mu\text{mol/J}$
SPEKTRUM	Celé spectrum +
ZDROJ SVĚTLA	Vyšší spec W/R/FR LED
ROZMĚRY (LxWxH)	559.5 x 559.5 x 71.6mm
VÁHA	5.2Kg
ŽIVOTNOST	>60000H
PRACOVNÍ TEPLOTA	-20° -- +40°C
PRACOVNÍ VLHKOST	20% - 90%
VODOTĚSNOST/ PRACHOTĚSNOST	IP65
ÚHEL PAPRSKU	120°
HARMONICKÝ	<15%
MANUÁLNÍ OVLADAČ STMÍVÁNÍ / EXTERNÍHO OSVĚTLENÍ	0-10V signální protokol

VSTUPNÍ NAPĚTÍ (V)	POMĚR STMÍVÁNÍ	PŘÍKON (W)	VSTUPNÍ PROUD (A)
Vmains=230V 50/60Hz AC	100%	317	1.45
	75%	235	1.04
	50%	157	0.73
	25%	81	0.42
Vmains=240V 50/60Hz AC	100%	317	1.4
	75%	233	1.02
	50%	156	0.72
	25%	80	0.41
Vmains=277V 50/60Hz AC	100%	317	1.25
	75%	229	0.94
	50%	156	0.62
	25%	80	0.42

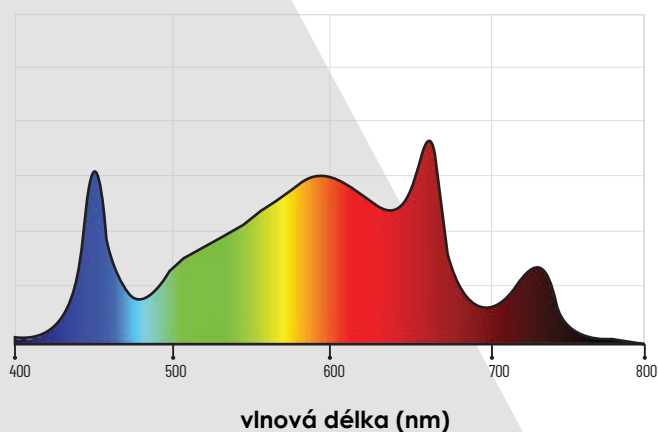
Obr 1. Rozměry svítidla



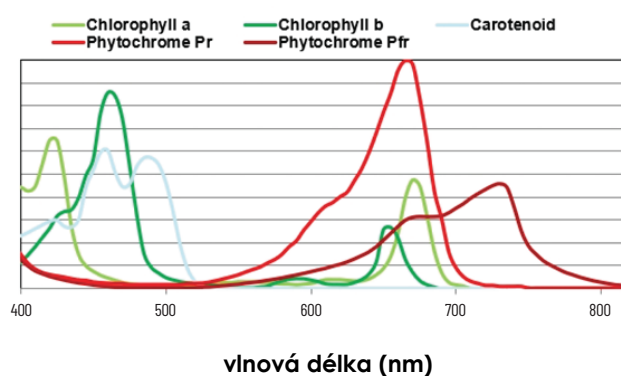
### 3.3 Graf spektrálního kvantového rozdělení

Řada ATS Pro využívá vysoce výkonné a zároveň vysoce efektivní pěstitelské, bílé, červené a vzdálené červené LED diody k vytvoření kompletního a kvalitního vyváženého spektra světla, které je ideální pro fotosyntézu

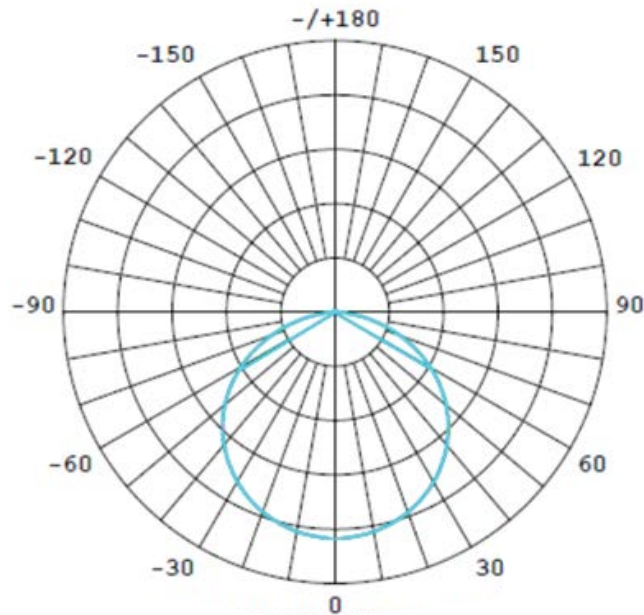
Obr 2. SQD graf ukazující Full Spectrum +



Obr 3. Křivky absorpce světla rostlin



### 3.4 Křivka rozložení světla



Unit: cd
C0/180 , 117.9
C30/210 , 118.0
C60/240 , 118.0
C90/270 , 117.9

Průměrný úhel paprsku  
(50%) : 117.9 DEG

### 3.5 Prostředí

LED svítidlo je určeno k použití v klimaticky řízených pěstírnách a vnitřních farmách. Produkt může být používán ve vlhkém prostředí, ale nesmí být používán v mokřem prostředí nebo venku. Produkt pracuje při teplotách okolí v rozmezí od -10 ° C do 40 ° C, ale na optimální úrovni pracuje v rozmezí 20 ° C až 30 ° C. Produkt funguje bez kondenzace při 20% - 90% vlhkosti.

### 3.6 Legální

**Tento výrobek je CE & UKCA certifikován v souladu s testovacími normami směrnice LVD a EMC.**

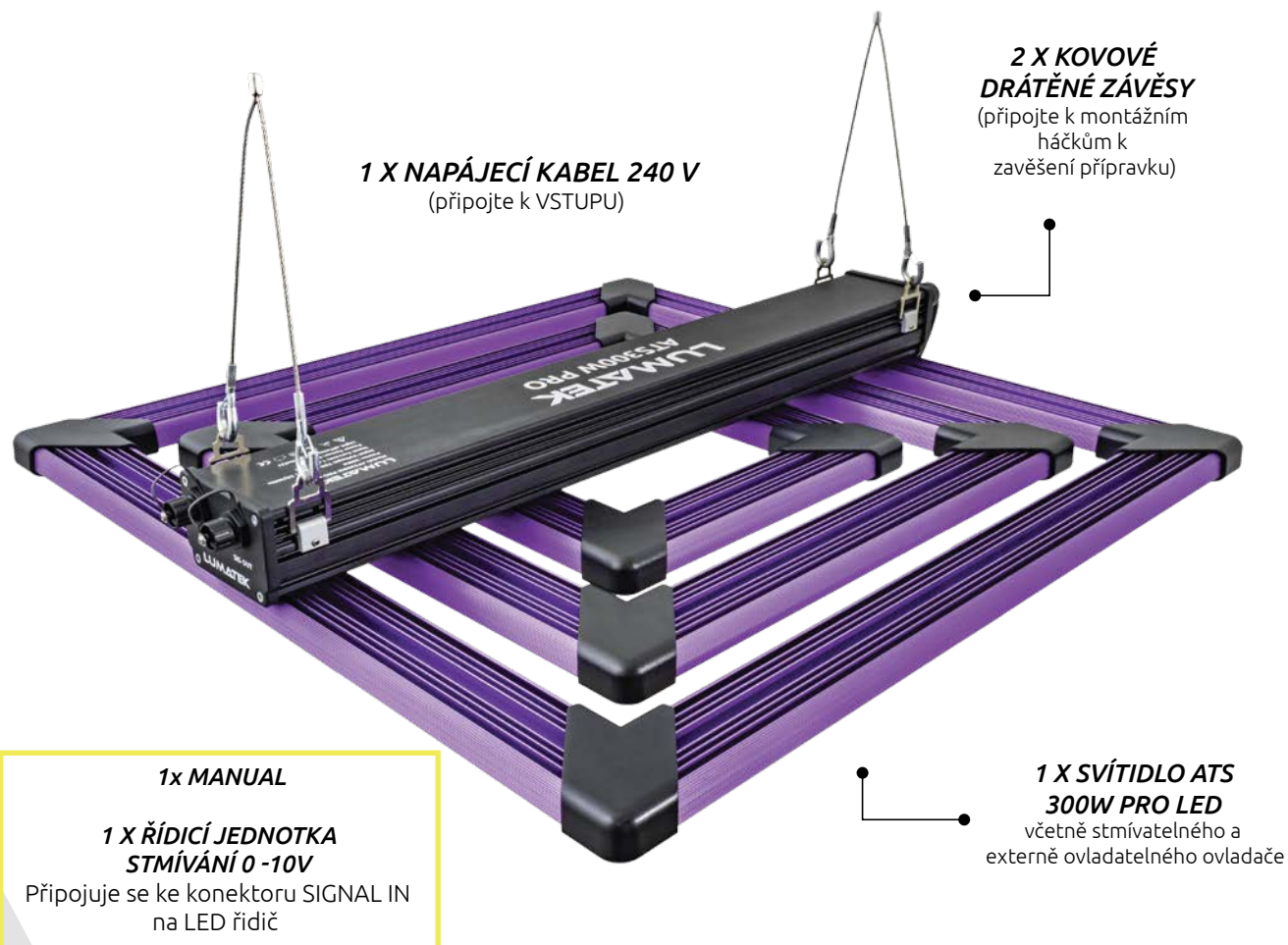
## 4. BEZPEČNOSTNÍ DOPORUČENÍ A VAROVÁNÍ

**Varování! Před použitím nebo prací s výrobkem si pozorně přečtěte níže uvedená varování!**

- Při instalaci nebo používání LED svítidla vždy dodržujte místní pravidla a předpisy.
- LED svítidlo neotvírejte ani nerozebírejte, protože uvnitř neobsahuje žádné opravitelné součásti. Otevření nebo úprava LED zařízení může být nebezpečné a při jeho provedení padá záruka.
- Nepoužívejte LED svítidlo, pokud je LED svítidlo poškozeno, nebo je poškozen napájecí kabel. Napájecí kabel vyměňujte pouze za správně dimenzovaný kabel.
- Úpravy kabelů mohou vést k nežádoucím elektromagnetickým účinkům, které mohou způsobit, že produkt nebude v souladu s právními požadavky.
- Nevystavujte LED svítidlo následujícím situacím:  
Kondenzující vlhkost, hustá mlha nebo přímý postřik;  
Okolní teploty mimo stanovený rozsah;  
Prach a znečištění;  
Přímé sluneční světlo během používání nebo HID světlo, které může řidiče zahřát.
- Před prováděním jakékoli údržby vždy odpojte LED zařízení od sítě.
- Před dotykem LED zařízení vždy počkejte alespoň 20 - 30 minut. Dotyk LED zařízení během provozu nebo bezprostředně poté může způsobit popáleniny!
- Přirozená konvekce odvádí teplo od chladiče. Pro správnou funkci chlazení systému je zapotřebí alespoň 5 cm prostoru mezi svítidlem a stropem vaší pěstírně.
- K čištění LED svítidla nepoužívejte abrazivní materiály ani agresivní čisticí prostředky, protože by mohlo dojít k poškození sekundární optiky. Místo toho použijte čistou vlhkou látku / hadřík.
- LED svítidlo nepoužívejte v blízkosti hořlavých, výbušných nebo reaktivních látek. LED svítidlo může dosáhnout teploty 40 ° C.
- Nepoužívejte sírny odpařovače ani vodní mlhy.
- Za instalaci a používání svítidla LED odpovídá konečný uživatel. Nesprávné použití nebo instalace může vést k poruše a poškození LED zařízení. Poškození LED zařízení a elektronických obvodů v důsledku nesprávné instalace a použití ruší záruku.



## 5. OBSAH



## 6. INSTALACE

**Varování!** Montáž a instalace LED svítidla musí být provedeny v souladu s příslušnými místními zákony a předpisy.

**Varování!** Instalační technik odpovídá za správnou a bezpečnou instalaci.

**Varování!** Zajistěte, aby použitá místní kabeláž splňovala požadavky na napětí a proud potřebný pro provoz LED svítidla.

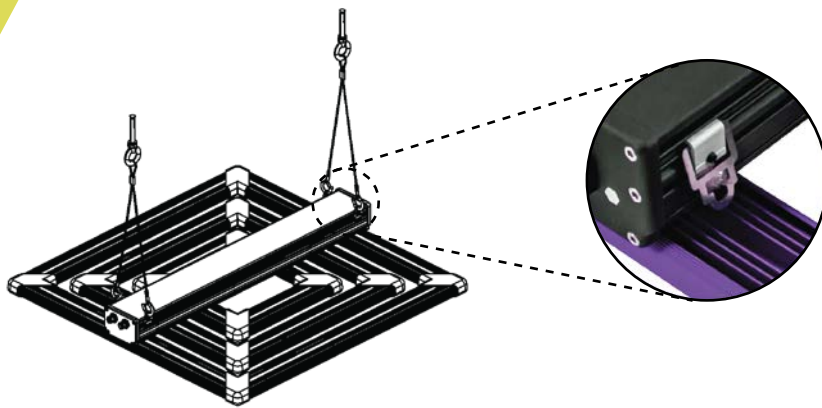
**Varování!** Vyvarujte se stočených kabelů a udržujte napájecí kabely odděleně, čím zabráníte elektromagnetickému rušení.

**Varování!** Nepřipojujte ani neodpojujte LED zařízení při provozu.

### 6.1 Montáž a instalace svítidla

**Varování!** Připevněte systém na něco, co váhu LED zařízení unese.

Připevněte kovové závěsy k upevňovacím háčkům po stranách ovladače zařízení. Zavěste svítidlo do požadované polohy a výšky. Pro optimální výkon zařízení umístěte 15 - 40 cm nad vrchlík rostliny. Zajistěte, aby bylo zařízení zavěšeno vodorovně.



Připojte kovové závěsy  
k upevňovacím  
háčkům

## 6.2 Připojení ručního stmívače nebo externího ovladače osvětlení a nastavení intenzity světla (stmívání)

LED svítidlo lze připojit k ručnímu ovladači stmívání (součást dodávky) nebo k digitálnímu externímu ovladači osvětlení (prodává se samostatně) prostřednictvím portu SIG IN na ovladači umožňující tak nastavení intenzity světla (úroveň PPF) mezi 20% - 100% světelného výkonu.

Intenzitu světla LED zařízení lze upravovat bez změny vyzařovaného spektra světla nebo ztráty účinnosti. To znamená, že PPF lze nastavit na správnou úroveň pro cykly rozmnožování, klonování, vegetativního růstu a květu, aniž byste museli zvedat nebo spouštět svítidlo a udržovat rozptyl světla 1m x 1m.

Ovládání stmívače nebo ovladače osvětlení je připojeno ke konektoru SIG IN na ovladači zařízení; Uvolněte protiprachový kryt, ujistěte se, že jsou konektory správně zarovnané, a poté je tlačte k sobě až dokud nezaklapnou.

Uvolnění: otočte otočný zámek proti směru hodinových ručiček a potáhněte jej směrem od sebe.



**SEJMĚTE PROTIPRACHOVÝ  
KRYT A PŘIPOJTE STMÍVAČ  
NEBO OVLADAČ K PORTU SIG IN.**

## 6.3 Zapojování svítidel do série pro externí ovládání

Připojte výstupní signální vodič ovladače osvětlení ke konektoru SIG IN svítidla 1 správným zarovnáním konektorů a jejich přitlačení k sobě až dokud nezaklapnou. Připojte řídicí signální vodičem do série (prodává se samostatně) z konektoru SIG OUT zařízení 1 do konektoru SIG IN zařízení 2.

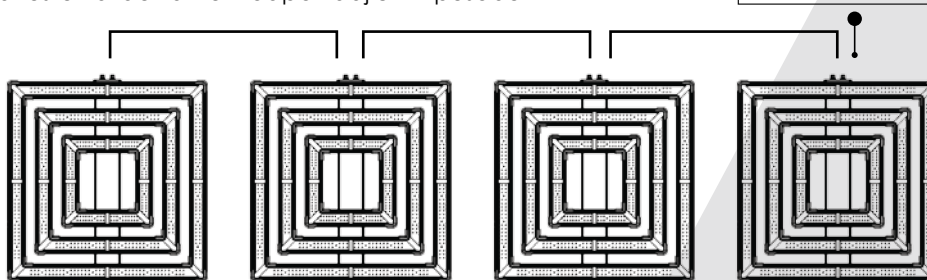
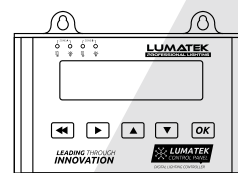
Řídicí signální vodič pro seriové zapojení lze odpojit otáčením zámku proti směru hodinových ručiček, čímž dojde k odemčení a zatažením k uvolnění.

Pokračujte v připojování zařízení do série až do 100 zařízení na ovladač (50 na zónu), viz obr. 1

Podrobné instrukce viz uživatelská příručka k ovládacímu panelu Lumatek Plus.

LED svítidlo používá protokol řídicího signálu 0-10V.

Umístěte a zavěste každé zařízení odpovídajícím způsobem



## 6.4 Připojení LED zařízení k elektrické síti

**Varování!** Ujistěte se, že je napájení zařízení vypnuto ze sítě.

**Varování!** Zajistěte, aby napájecí kabel nebyl svinut a nedotýkal se žádných horkých povrchů.

**Varování!** Kabely připojujte dle místních norem, bezpečnostních a elektrických předpisů.

**Varování!** Pokud nepoužíváte externí ovladač osvětlení, zajistěte, aby externí spínací zařízení dokázalo zvládnout startovací proud LED zařízení. K přepínání LED svítidla se doporučuje použít stykač časovače vhodný pro spínání kapacitní zátěže, nikoli časovače pro domácnost!

Zajistěte, aby samosvorný samičí konektor napájecího kabelu ovladače LED svítidla byl správně zarovnan s odpovídajícím samčím vstupním INPUT konektorem na ovladači a následně je zatlačte k sobě až do zaklapnutí.

Pro odpojení; otočením zámku proti směru hodinových ručiček spojení odemknete a zatažením odpojíte od řídiče.

Připojte k spínacímu ústrojí / napájecímu zdroji. Zapněte síťové napájení.

**Varování!** Nepřipojujte ani neodpojujte LED zařízení za provozu.

## 7. INSPEKCE, ÚDRŽBA A OPRAVY

**Varování!** Před prováděním jakékoli údržby nebo opravy odpojte LED zařízení od elektrické sítě.

**Varování!** Nepřipojujte ani neodpojujte LED zařízení za provozu.

**Varování!** Neotvírejte ani nerozebírejte LED svítidlo. Uvnitř neobsahuje žádné opravitelné části. Otevření LED svítidla může být nebezpečné a ruší platnost záruky.

**Varování!** Vždy počkejte 20 - 30 minut, než se světelné LED lišty ochladí.

**Pozor!** Nečistěte LED svítidlo čisticími prostředky, abrazivními prostředky nebo jinými agresivními látkami

Pravidelně kontrolujte, zda-li LED svítidlo neobsahuje prach nebo nečistoty. V případě potřeby jej vyčistěte. Znečištění může způsobit přehřátí a snížení výkonu.

Vnější část LED svítidla čistěte suchým nebo vlhkým hadříkem.

Pravidelně zkontrolujte kabely LED svítidla na poškození

## 8. SKLADOVÁNÍ A LIKVIDACE

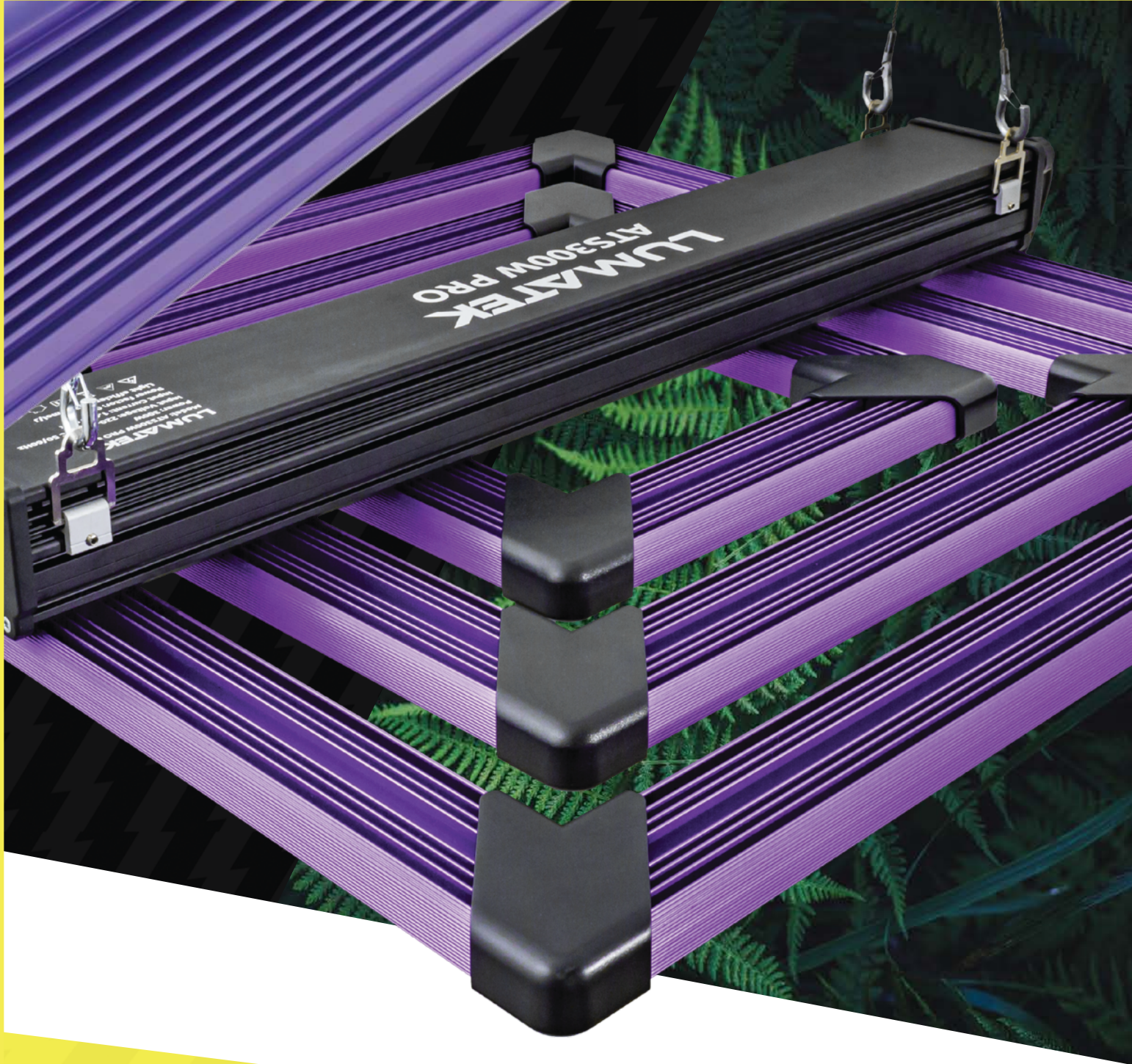
LED svítidlo uchovávejte v suchém a čistém prostředí s teplotou okolí od -25 ° C do 55 ° C.

Produkt nesmí být likvidován jako netříděný komunální odpad, ale musí být za účelem zpracování, využití a ekologické likvidace separován.

## 9. ZÁRUKA

Společnost Lumatek zaručuje, že mechanické a elektronické součásti produktu neobsahují vady materiálu a zpracování, pokud jsou používány za normálních provozních podmínek po dobu tří (3) let od původního data nákupu. Pokud výrobek během této doby vykazuje vady a vada není způsobena chybou uživatele nebo nesprávným použitím, společnost Lumatek podle svého uvážení buď vymění nebo opraví produkt pomocí vhodných nových nebo repasovaných produktů nebo dílů. V případě, že se Lumatek rozhodne vyměnit celý produkt, vztahuje se tato omezená záruka na náhradní produkt na zbývající počáteční záruční dobu, tj. tři (3) roky od data zakoupení původního produktu. Pro službu; vraťte produkt do obchodu s originálním potvrzením o prodeji.





STAY UP TO DATE WITH OUR **SOCIAL MEDIA** CHANNELS



**GENERAL :** [info@lumatek-lighting.com](mailto:info@lumatek-lighting.com)  
**SALES SUPPORT :** [orders@lumatek-lighting.com](mailto:orders@lumatek-lighting.com)  
**TECHNICAL SUPPORT :** [techsupport@lumatek-lighting.com](mailto:techsupport@lumatek-lighting.com)  
**CONTACT :** +44(0)1233 280567

VISIT US AT **[WWW.LUMATEK-LIGHTING.COM](http://WWW.LUMATEK-LIGHTING.COM)**