

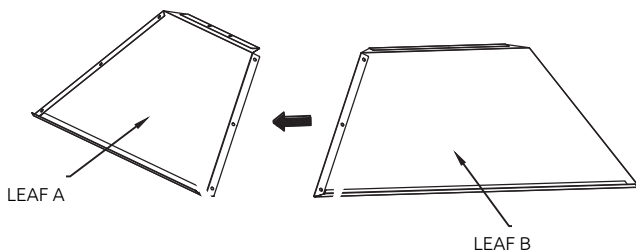
TEKKEN PRO DE REFLECTOR

ASSEMBLING INSTRUCTIONS

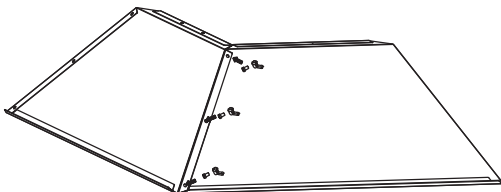
VISIT US AT WWW.LUMATEK-LIGHTING.COM

THE REFLECTOR ASSEMBLY

1. REFLECTOR LEAVES

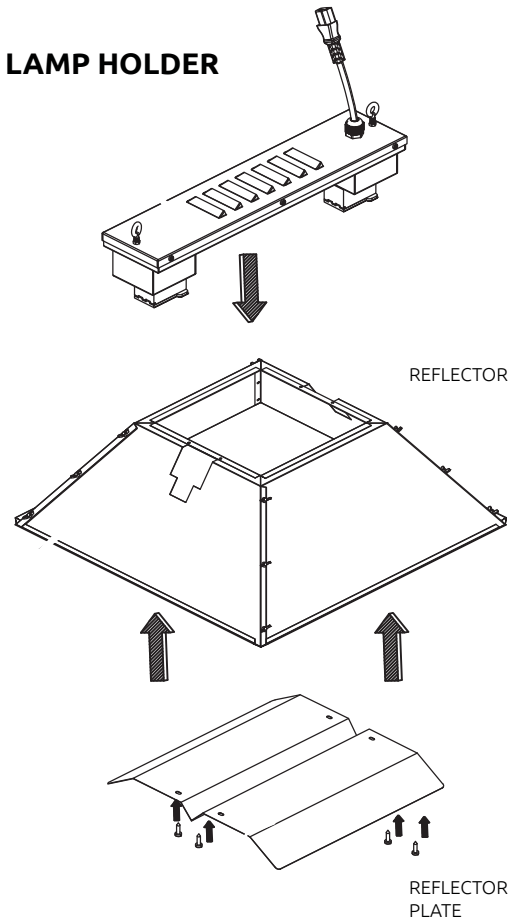


2. THE REFLECTOR IS FIXED BY HAND AND TOOTH SCREW



MOUNTING THE LAMP HOLDER

3. LAMP HOLDER



4.

