

SPECIFICATION FOR APPROVAL

Customer : _____

Customer P/N : _____

Product Type : Lighting Fixture

Product No. : LF630EA91001

Issue Date : 2020.11.05

Prepared By			
Checked By	R&D	DQE	QC
Approved By			

Contents

1. Description	1
2. Function and parameters	2
2.1 Knob control	2
2.2 Recommended Matching Lamps	4
2.3 Remote Wire Communication Function	5
2.4 Protection	6
3. Environment	7
4. Safety	7
5. EMC	8
5.1 EMI	8
5.2 EMS.....	8
6. Physical Dimension	9
7. Input	10
8. Output	11
9. Packing	12
10.Mark	13

1. Description

This is a 630W Lighting Fixture with 3.5mm headphone jack interface that can be connected to external controller. Input voltage is 220-240V, 50/60Hz. Knob dimming range can be 80%-90%-100% and remote wire communication function. It will delay 0-6s ignition randomly. It can match well with 630W DE CMH lamps and 600W DE HPS lamps.

Date	Prepared	Checked	Item No	LF630EA91001

2. Function and parameters

2.1 Knob control

Note: except for special remarks, all parameters should be measured after operating at 25 °C ambient temperature, rated input voltage, matched bulb and 100% power for 15 minutes.

2.1.1 Input Characteristics

Parameter	Conditions	Min	Type	Max	Units
Mains Performance	Operational Performance	195	220-240	265	V
	Operational Safety	185	220-240	275	
Mains Frequency f_{mains}	Operational Performance	48	50/60	63	Hz
	Operational Safety	45	50/60	66	
Mains Power P_{mains}	P=100%	640	660	680	W
	P=90%	570	590	610	
	P=80%	505	525	545	
Mains Current I_{mains}	$V_{\text{mains}} = 240\text{V}$	2.7	2.8	3.0	A
	$V_{\text{mains}} = 220\text{V}$	2.9	3.1	3.2	
Power Factor	P=100%	0.97	0.98	--	--
THD	P=100%	--	--	10%	--
Inrush Current	$V_{\text{mains}} = 240\text{V}$ $T_a = 25^\circ\text{C}$, cold start	--	--	30	A
Pulse Duration		--	--	0.8	ms

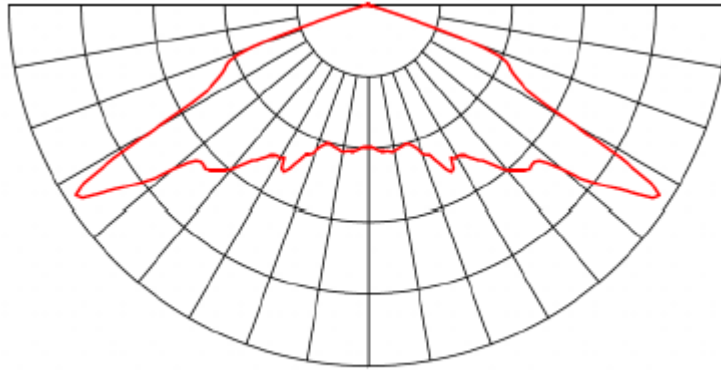
Date	Prepared	Checked	Item No	LF630EA91001

2.1.2 Output Characteristics

Parameter	Conditions	Min	Type	Max	Units
Lamp Frequency f_{lamp}	P=100%	100	125	150	KHz
Efficiency(%)	P=100%	94	95	--	--
Lamp Power P_{lamp}	P=100%	610	630	650	W
	P=90%	547	567	587	
	P=80%	484	504	524	
Lamp Voltage	630W	200	250	300	V
Ignition Voltage	$C_{load} < 100pF$	3000	4000	5000	V
Ignition Interval	--	0.5-0.5-0.5-5-5-5-5-10			Min

Date	Prepared	Checked	Item No	LF630EA91001

2.1.3 distribution curve flux(TBD)



Vertical Plane Through Horizontal Angles (0 - 180):140.2°

2.2 Recommended Matching Lamps

Lamp	600W DE HPS
	630W DE CMH

Date	Prepared	Checked	Item No	LF630EA91001

2.3 Remote Wire Communication Function

2.3.1 Remote Dimming

All output specifications are reported as a percentage of the full ballast rating,

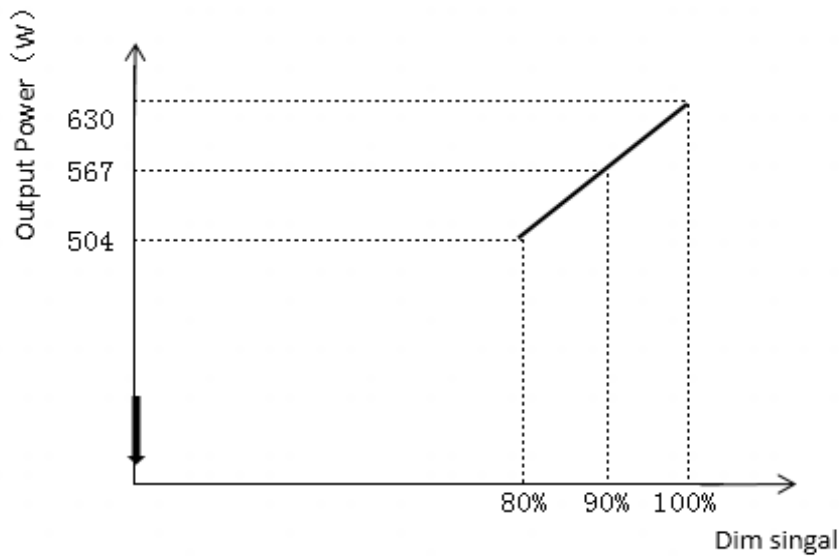
EXP: 80% of 630W ballast =504W.

Output Mapping Equation (W): (Dimming ratio)*ballast rating=Output.

Note: 1.Dimming accuracy is 3%(as per the output power of $V_{mains} = 220V$).

when the dimming ratio is 0%, the ballast will be off ;

user can set the parameters show in the 80%-100%.



2.3.2 Remote Control Function

- ✧ It can control remotely the ballast's on/off/dimming rate.
- ✧ Group control mode:it can control the state of a set of products .
- ✧ Single lamp control mode : it can control the state of a single product.
- ✧ Sun rise and set :When the SR/SS set time is 0min, the ballast will power on/off as its own speed, actually, it's exactly same as Power on/off.

Date	Prepared	Checked	Item No	LF630EA91001

2.4 Protection

2.4.1 Open Circuit Protection

When output is shut off, the ballast will power off for open circuit protection. When errors are removed and the power is re-applied to the product, it can work normally.

2.4.2 Short Circuit Protection

When output is shorted, the ballast will power off for short circuit protection. When errors are removed and the power is re-applied to the product, it can work normally.

2.4.3 Over Temperature Protection

When $T_a > 40^\circ\text{C}$, the ballast will shut off for high temperature protection. When the temperature drop to normal and the power is re-applied to the product, it can work normally.

2.4.4 Lamp END of Life/Rectification

The ballast will be not damaged when the rectification appears at the end of the lamp life. When replacing a new lamp and the power is re-applied, it can work normally.

2.4.5 Over-voltage/ Low-voltage Detect Protection

Protection happens when input voltage is below 175V or up to 275V (Output power will drop to 80% when input voltage is 175-195V). When input voltage is back to normal, the ballast can work normally.

Note: Voltage accuracy is 3%.

2.4.6 LED status

Status	LED
Output lock down	Flash*1
*Output errors	Flash*2
Low input voltage	Flash*3
Over temperature	Flash*4
High input voltage	Flash*5
Lamp fault	Flash*6

*LED status only as a remind of product's fault, when the output have a failure, please check the status of the kind of fault.

Note: when the controller is controlled, LED(controller) flashes 2 times every 2S, When the controller is no contacted or connection failed, LED(controller) is lighting, if the 3min is still no control signal,

“controller” flash, the product is shut down.

Date	Prepared	Checked	Item No	LF630EA91001

3. Environment

Environment \ Conditions	Operating	Shipping and Storage
3.1 Temperature	-20°C--+40°C	-40°C--+70°C
3.2 Humidity	20%--90%, non-condensing	10%--95%, non-condensing
3.3 Vibration	Amplitude: 2mm	
	Frequency: 10-55Hz	
	Test time in any Direction: 30min	
	Sweep velocity: 1oct/min	
	Direction: X,Y,Z	
3.4 waterproof and dustproof	IP20	

4. Safety

4.1 Surface Temperature Rise

When output power is 630W, ambient temperature is 25°C and input voltage is 220Vac, the surface temperature rise will be less than 40°C.

4.2 Insulation Resistance

The insulation resistance shall be no less than 2M ohm after application of 500Vdc for 60s.

4.3 Dielectric Withstand Voltage (HI-POT)

L,N-PE: 1500Vac 7.5mAmax/60s.

4.4 Grounded Resistance

<0.1 Ω, 30A, 120s.

4.5 Regulatory Standards

EN 61347-1

EN 61347-2-12

Date	Prepared	Checked	Item No	LF630EA91001

5. EMC

5.1 EMI

EN55015

Limit value of radio disturbance characteristics of electrical lighting and similar equipment.

5.2 EMS

5.2.1 Surge Immunity

IEC 61000-4-5:

L-N: $\pm 1\text{KV}$;

L/N-PE: $\pm 2\text{KV}$.

5.2.2 Electrical Fast Transient

IEC 61000-4-4:

L-N-PE : $\pm 1\text{KV}$.

5.2.3 Voltage Dips and Interruptions Immunity

IEC 61000-4-11:

Drop: 30% ; cycles: 10;

Drop: 100% ; cycles: 0.5.

5.2.4 Electrostatic Discharge Immunity

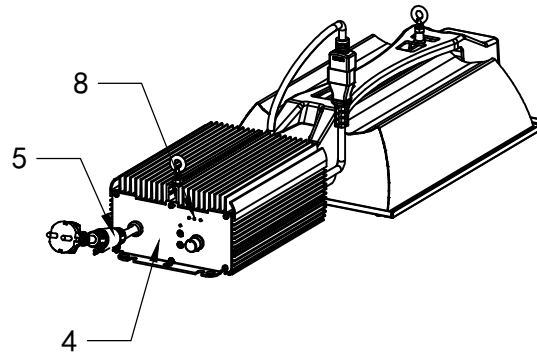
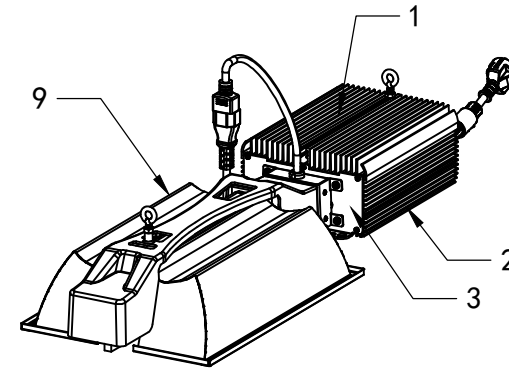
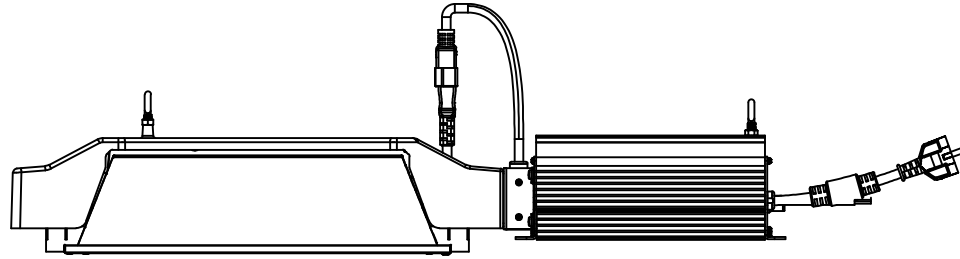
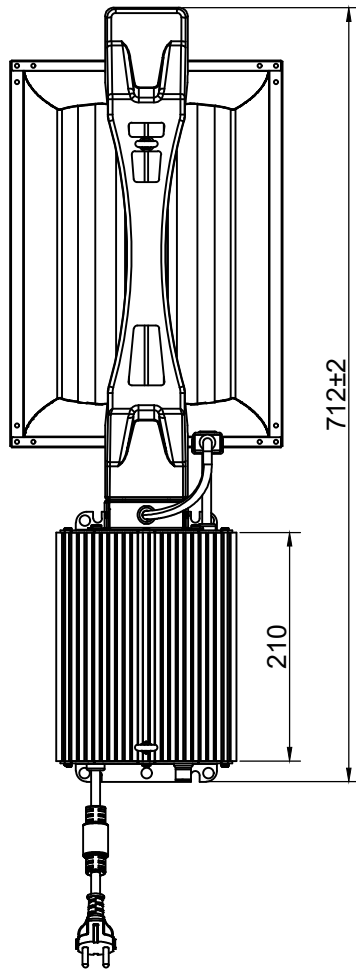
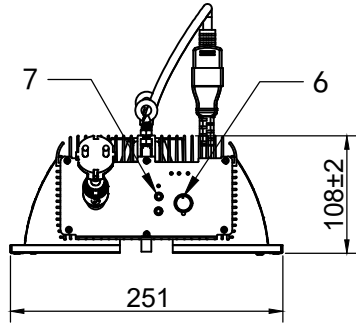
IEC 61000-4-2:

contact discharge: $\pm 4\text{KV}$;

air discharge: $\pm 8\text{KV}$.

Date	Prepared	Checked	Item No	LF630EA91001

6 Physical Dimension

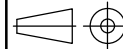


Physical Dimension	
Material	Aluminium
Dimension	712×251×108
Weight	Kg

Item	Part Name	Q'ty	Remark
1	Cover	1	Violet
2	Cover	1	Violet
3	Plate	1	Violet
4	Plate	1	Violet
5	Input line	1	Black
6	Knob	1	Silver White
7	Dual Headphone	1	Black
8	LED	4	----
9	Lampshade	1	----

These drawings and specifications are the property of LUMATEK LTD . And shall not be reproduced or used as the basis for the manufacture or sell of apparatuses or devices without permission.

Dimensional Tolerances		Holes:±0.05		Angles:±0.5°	
(V)		()		()	
<30	±0.25	Decimals	Up-100 ±0.2	250-300 ±0.4	Up-600 ±1.5
>30-100	±0.35	X	100-150 ±0.25	300-350 ±0.45	600-900 ±2.4
>100-300	±0.5	XX	150-200 ±0.3	350-400 ±0.5	900-Over:±3.1
Above300	±0.6	XXX	200-250 ±0.35		

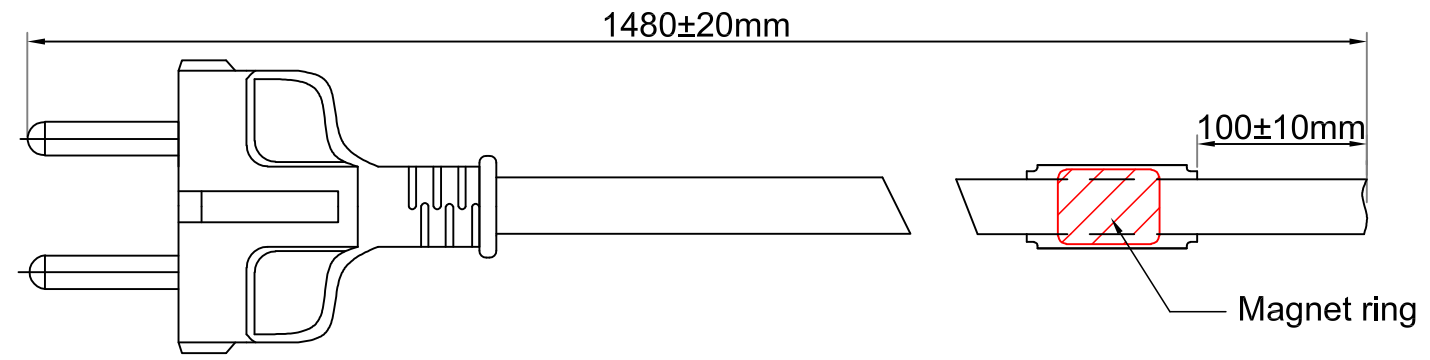
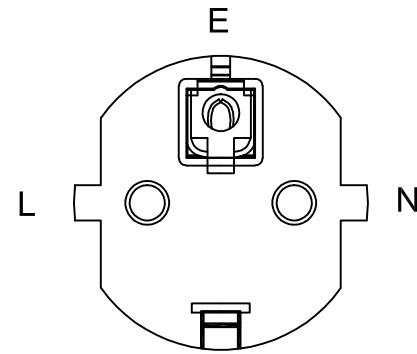


First Angle Projection

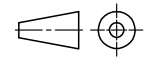
LUMATEK LTD

Description:		REV
Part No:		P00
Used On:	LF600EA91001	SIZE A3

7 Input

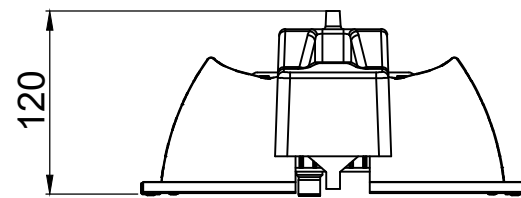
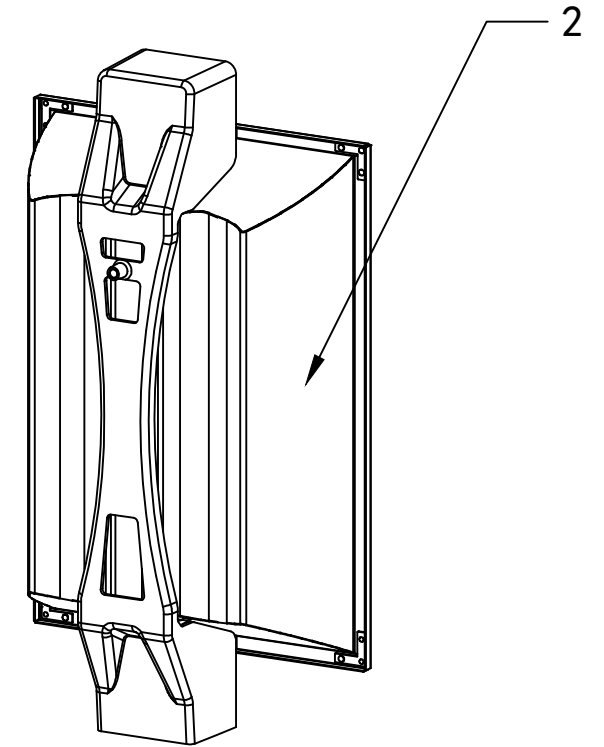
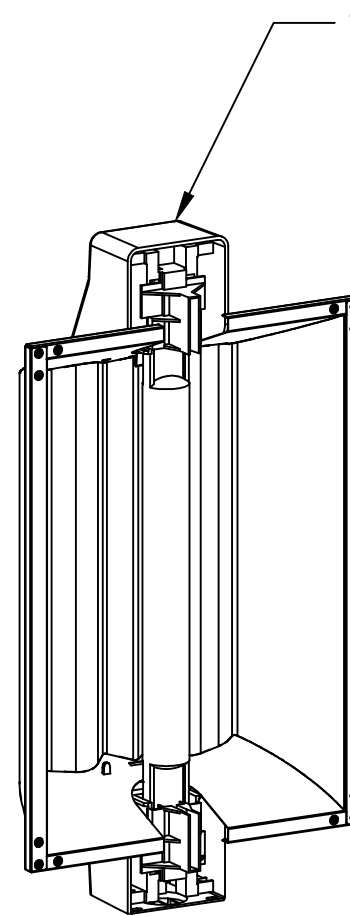
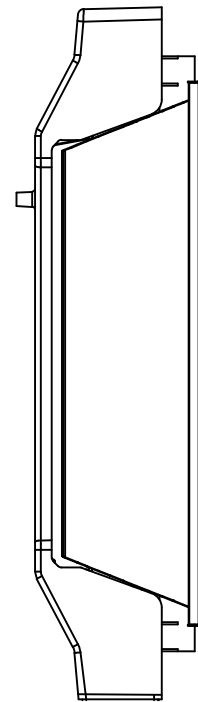
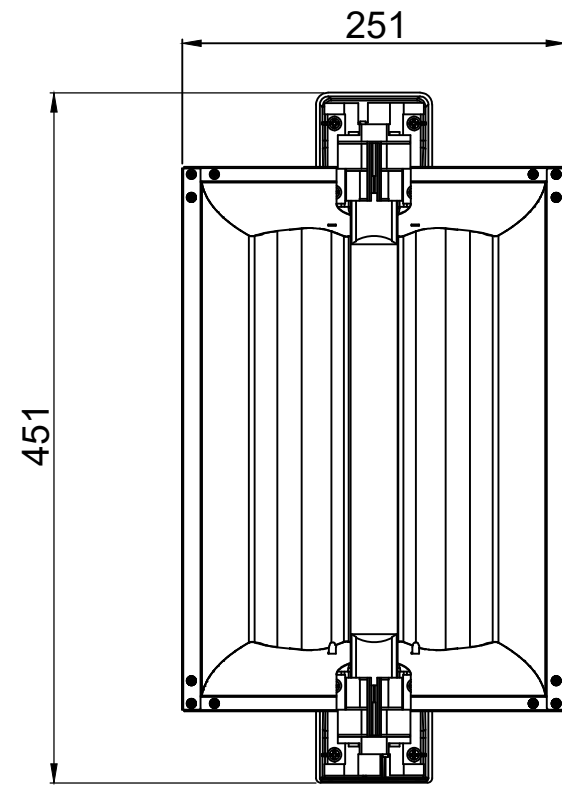


- Technical requirements:
1. Emifil: $19 \times 50.8 \times 10.15$
 2. Power cord: Emifil set on the power cord directly, seal
 3. Specifications: VDE H05VV-F $3 \times 1.5 \text{mm}^2$ 70°C

 First Angle Projection		Description:	Input	REV
		Part No:	--	P00
		Used On	LF630EA91001	SIZE A3

Scale	--	Unit	mm	Sheet 1 Of 1	Issue Date:	Drawn:	Design:
--------------	----	-------------	----	----------------------------	--------------------	---------------	----------------

8 Output

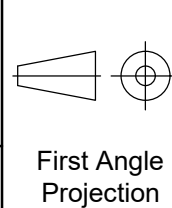


Physical Dimension		Item	Part Name	Q'ty	Remark
Material	Aluminium	1	Bracket	1	White
Dimension	251×117×451	2	Lampshades	1	Aluminum bright colors
Weight	Kg				

These drawings and specifications are the property of LUMATEK LTD. And shall not be reproduced or used as the basis for the manufacture or sell of apparatuses or devices without permission.

LUMATEK LTD

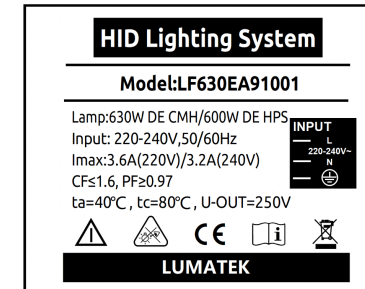
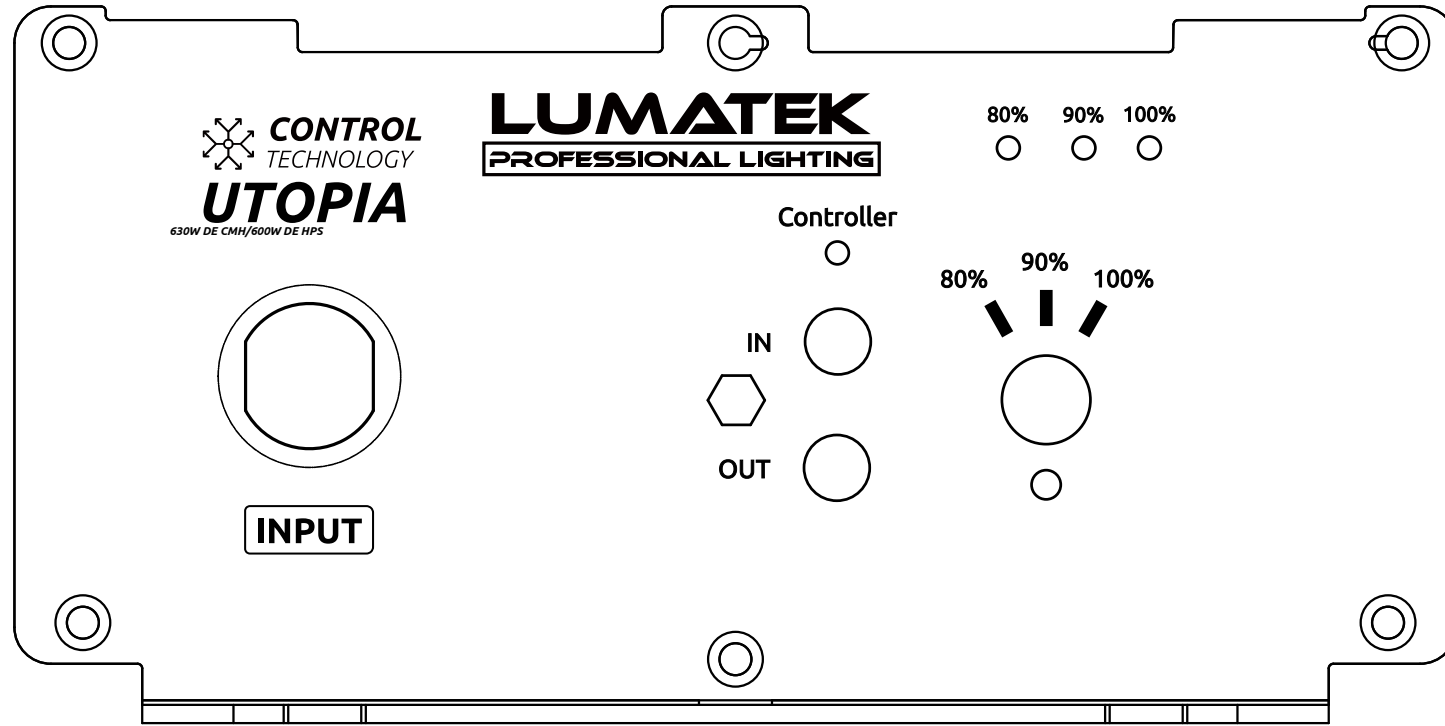
Dimensional Tolerances (V)	Holes:±0.05 ()	Angles:±0.5° ()
<30 :±0.25 >30~100 :±0.35 >100~300 :±0.5 Above300 :±0.6	Decimals .X :±0.3 .X.X :±0.2 .X.XX :±0.1	Up~100 :±0.2 100~150 :±0.25 150~200 :±0.3 200~250 :±0.35
	250~300 :±0.4 300~350 :±0.45 350~400 :±0.5	Up~600 :±1.5 600~900 :±2.4 900~Over:±3.1



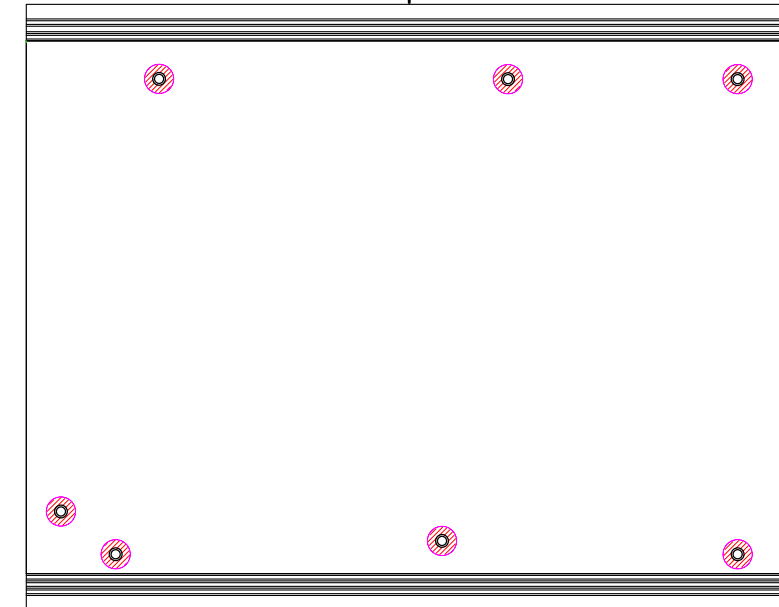
Description:		REV P00
Part No:		SIZE A3
Used On:	LF630EA91001	

Scale	---	Unit	mm	Sheet 1 Of 1	Issue Date:	Drawn:	Design:
-------	-----	------	----	--------------	-------------	--------	---------

10 Mark(TBD)



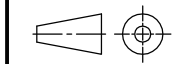
LUMATEK UTOPIA 630/600W



LUMATEK UTOPIA 630/600W



These drawings and specifications are the property of LUMATEK LTD. And shall not be reproduced or used as the basis for the manufacture or sell of apparatuses or devices without permission.



First Angle Projection

LUMATEK LTD

Description:	Mark	REV P00
	Part No:	
Used On	LF630EA91001	SIZE A3

Scale	--	Unit	mm	Sheet 1 Of 1	Issue Date:	Drawn:	Design:
-------	----	------	----	--------------	-------------	--------	---------