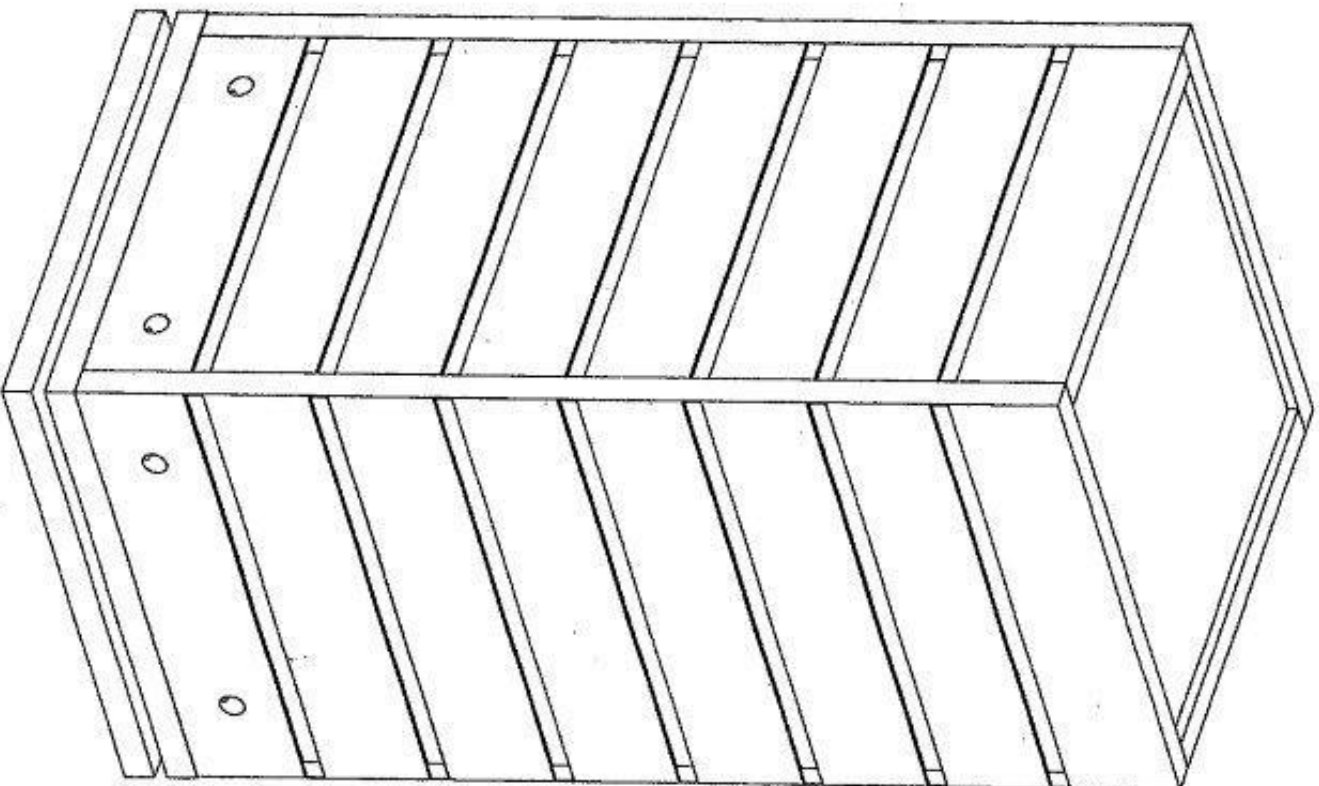


ASSEMBLY INSTRUCTION

CORNER ROTATING SW TOWER



x16



x16

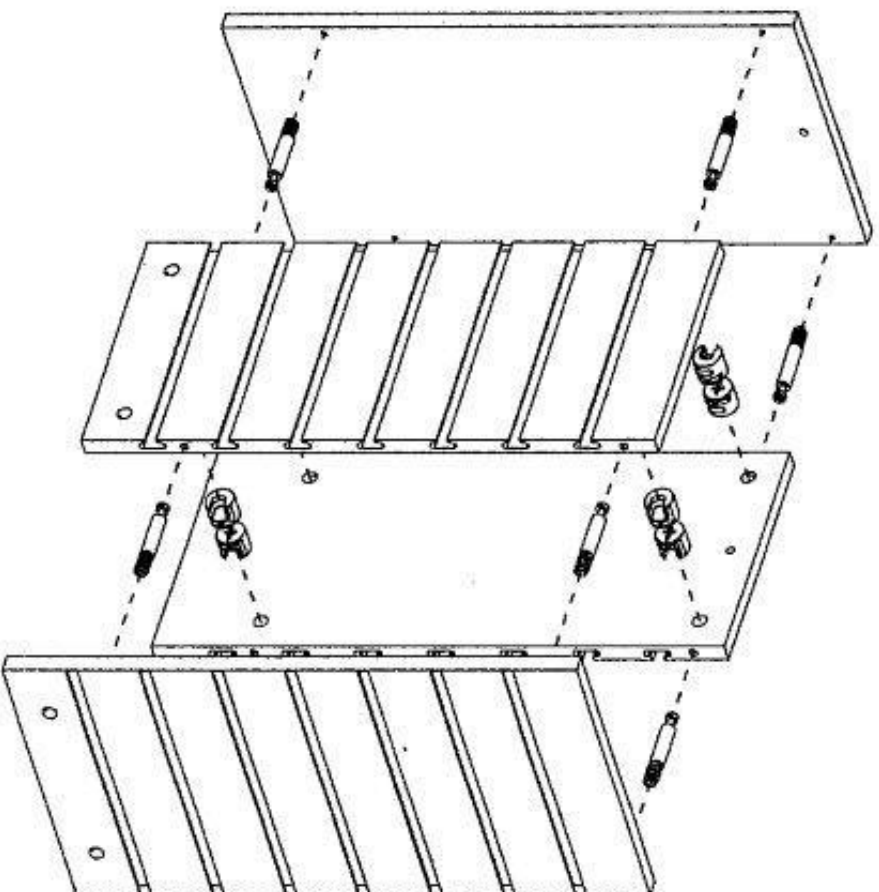


x8

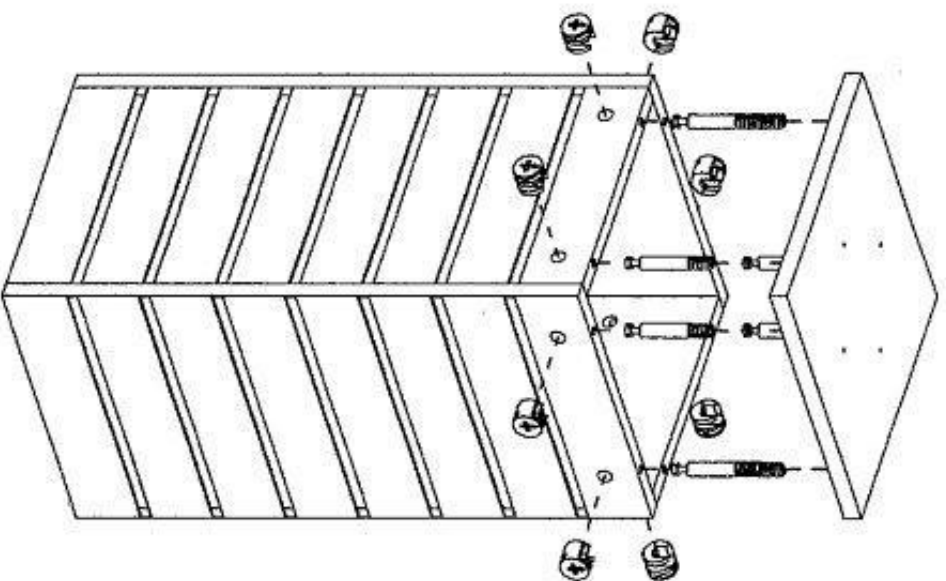


x4

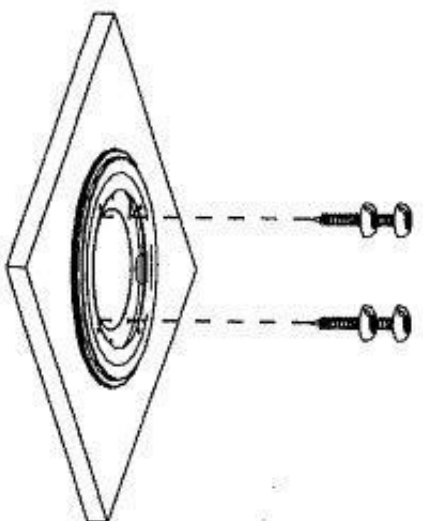
(1)



(2)



(3)



(4)

