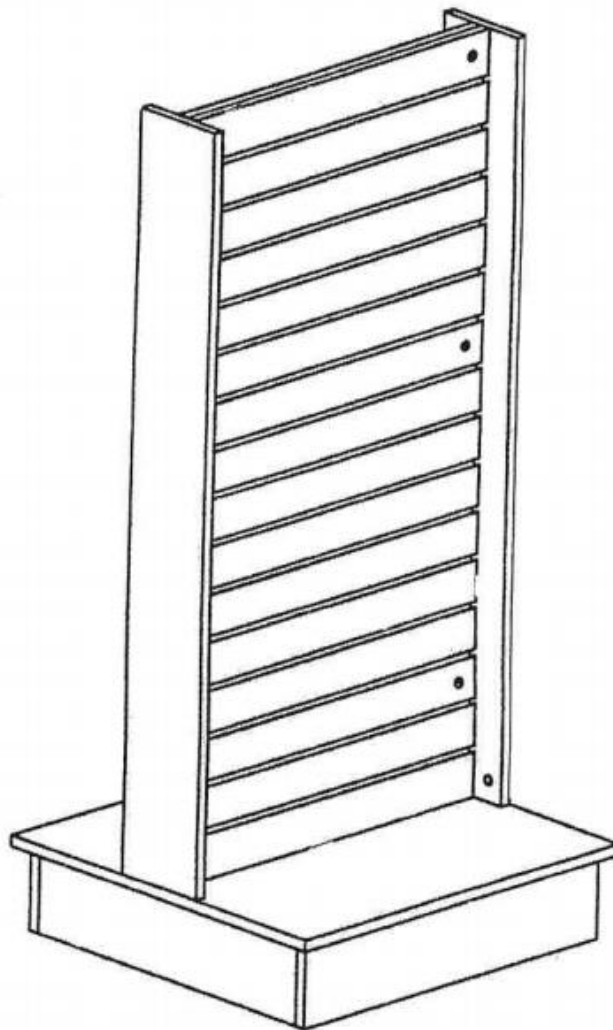


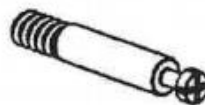
ASSEMBLY INSTRUCTIONS

ITEM: SM-SD

SLATWALL STREAMLINE DISPLAY

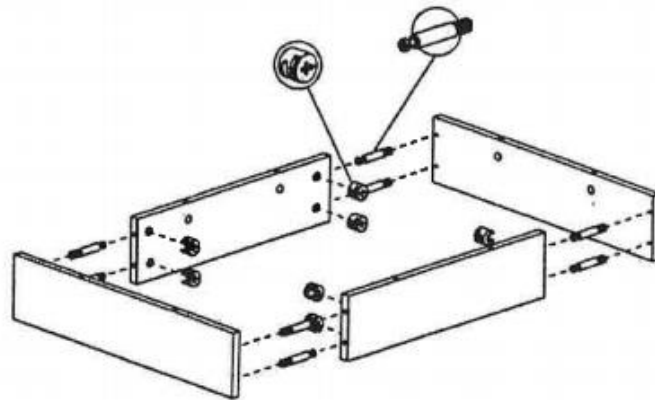


X 32

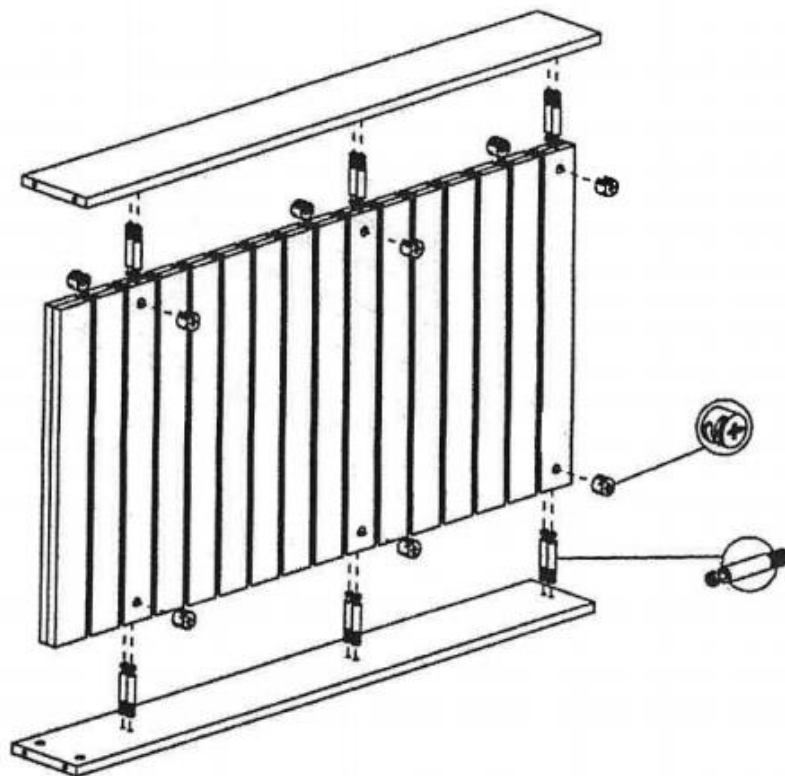


X 32

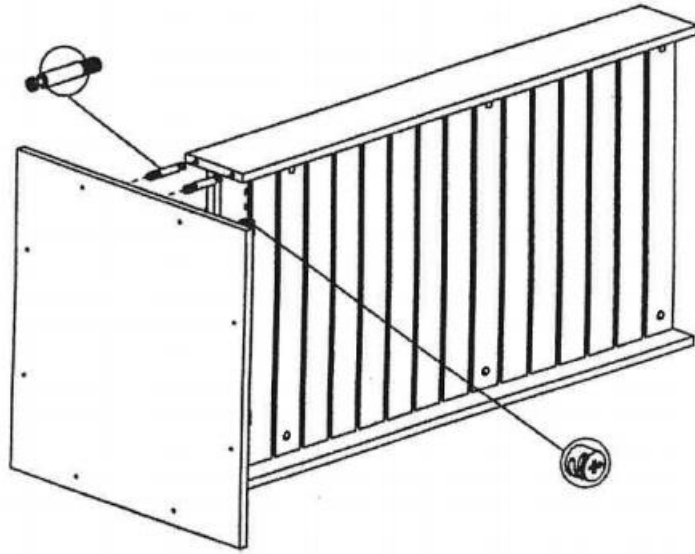
1



2



3



4

