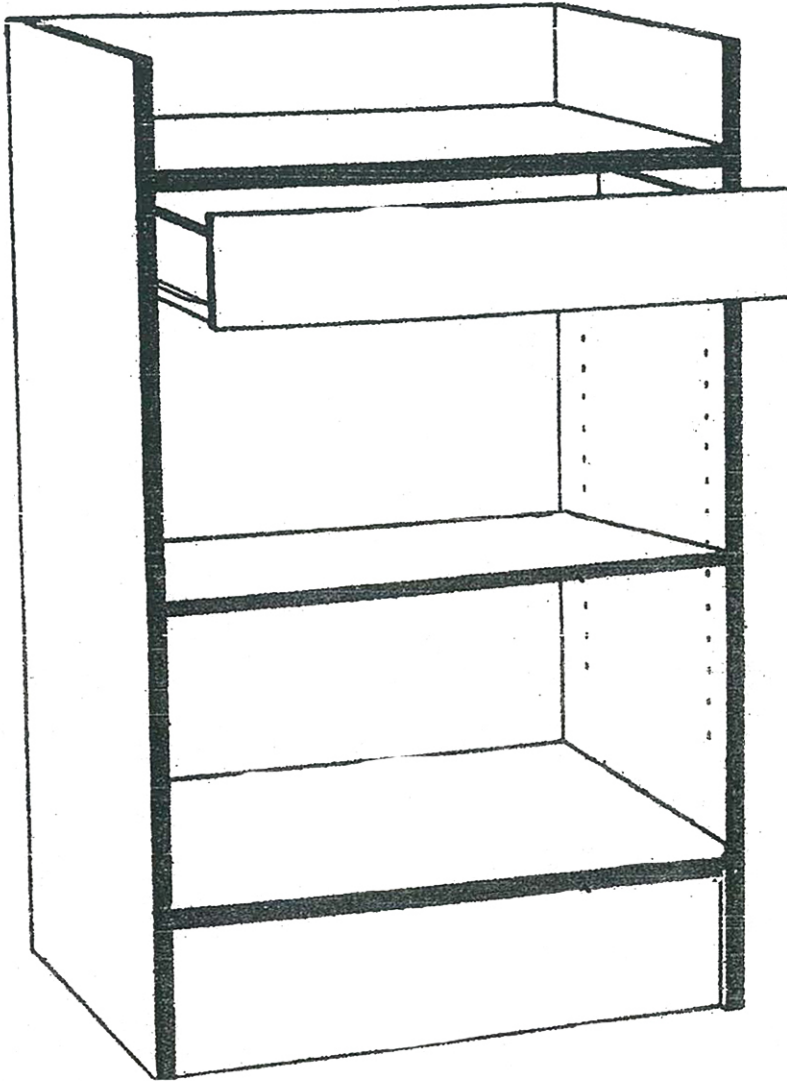


CASH STAND



ASSEMBLY INSTRUCTIONS

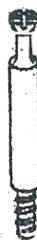
PARTS LIST



(22)



(8)



(22)



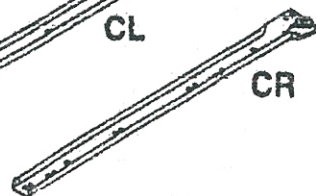
(4)



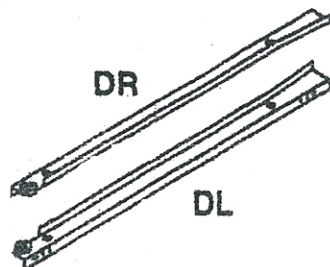
(6)



CL

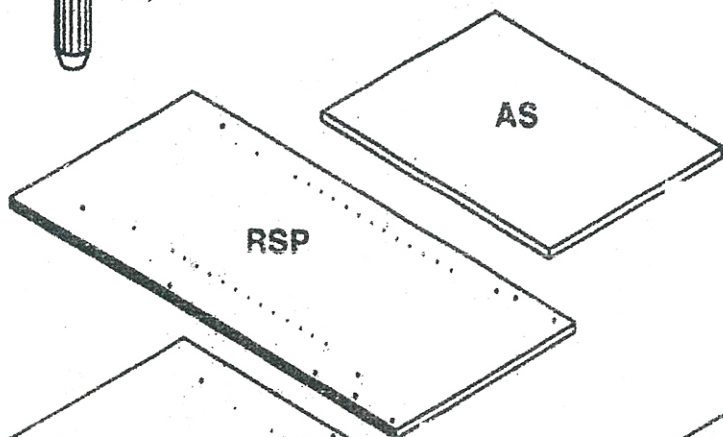


CR



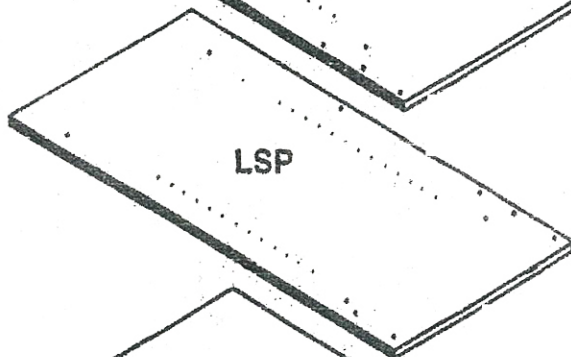
DR

DL

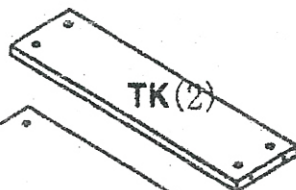


RSP

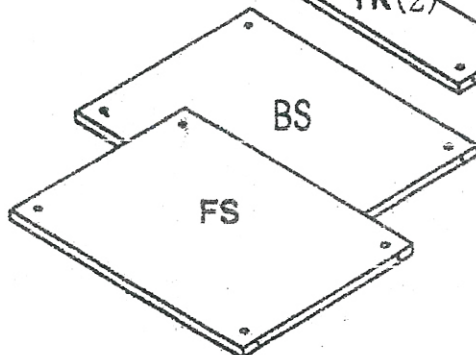
AS



LSP

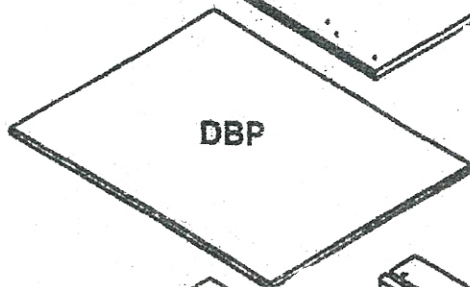


TK(2)

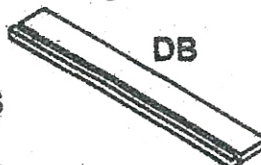


BS

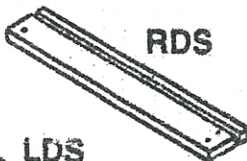
FS



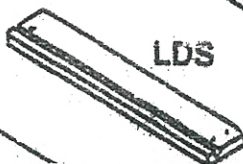
DBP



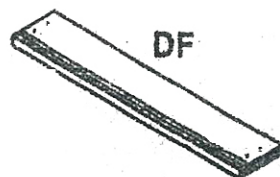
DB



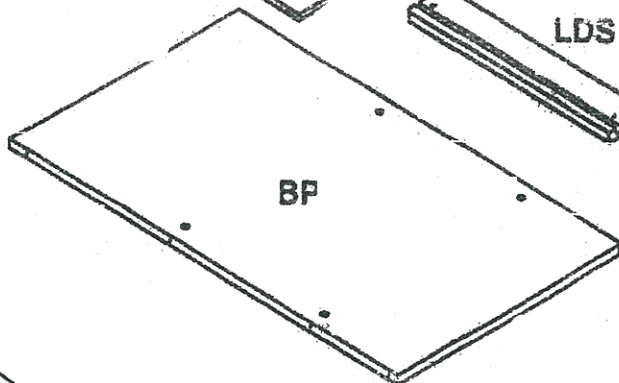
RDS



LDS



DF

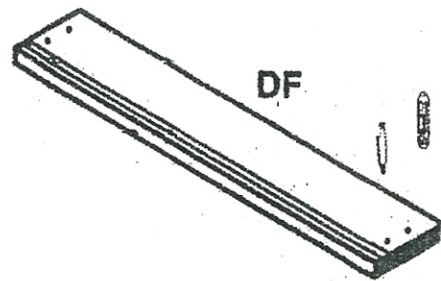
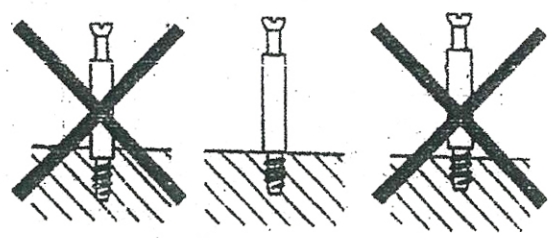
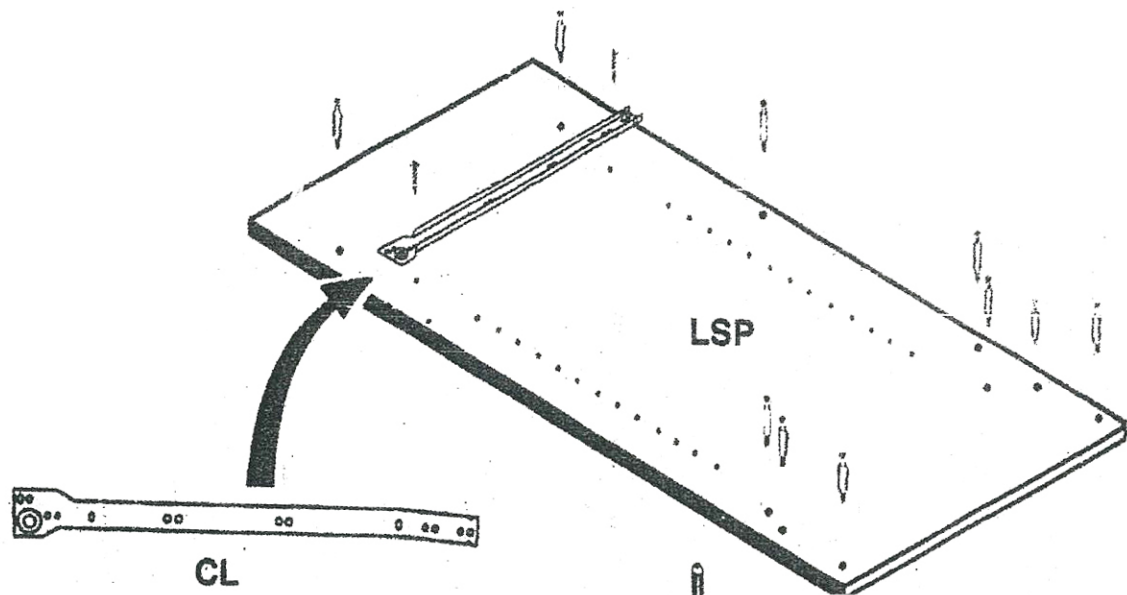
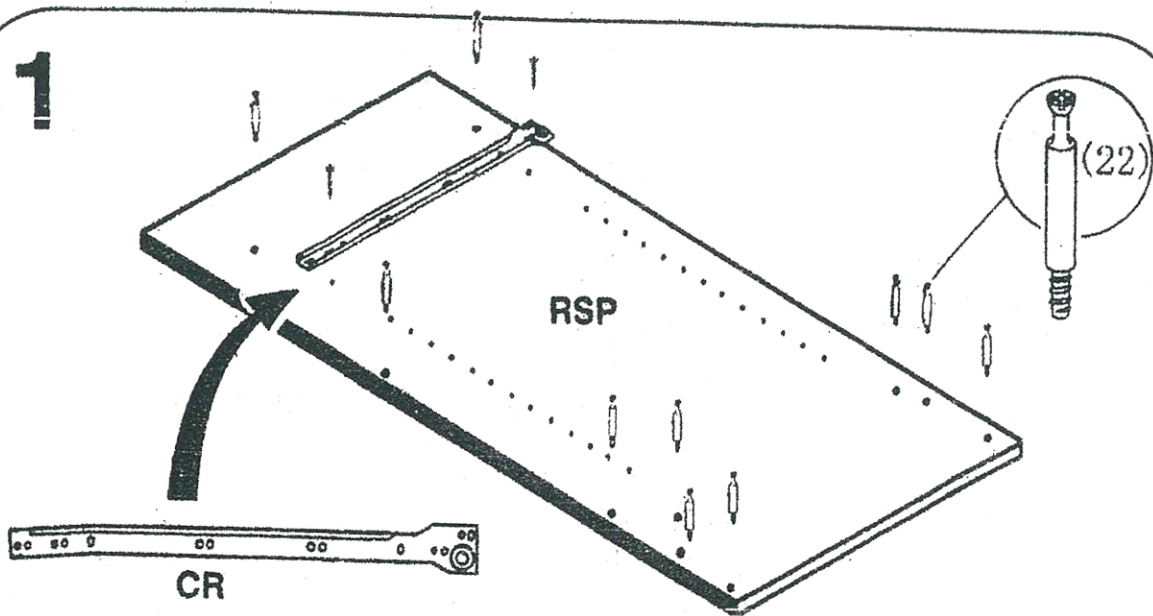


BP

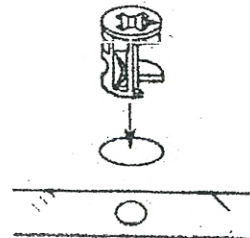
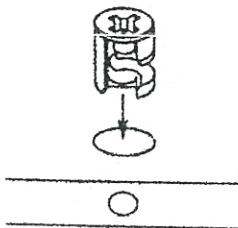
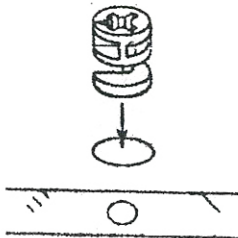
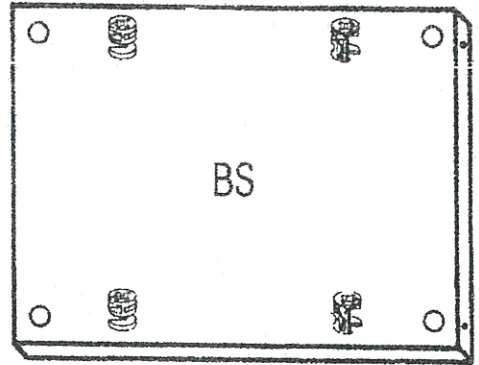
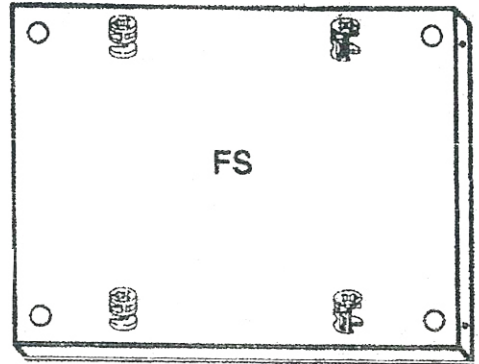
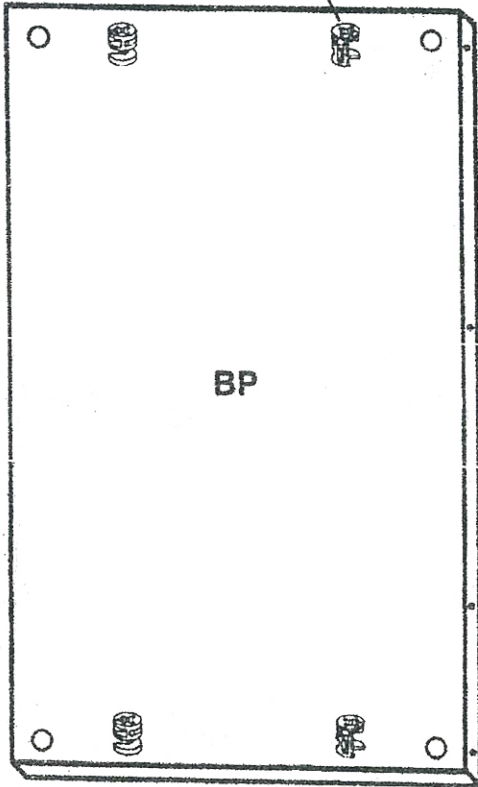
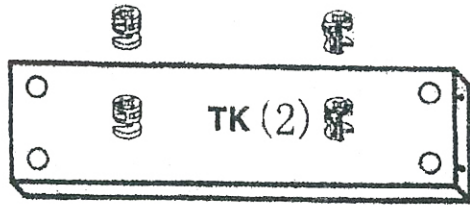
TOOL REQUIRED



1

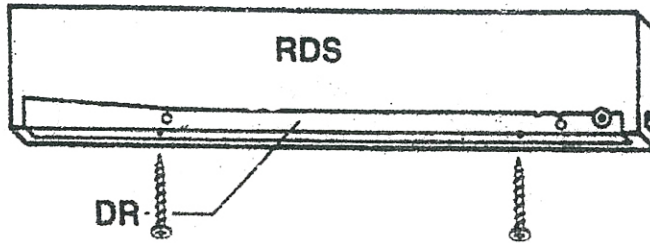
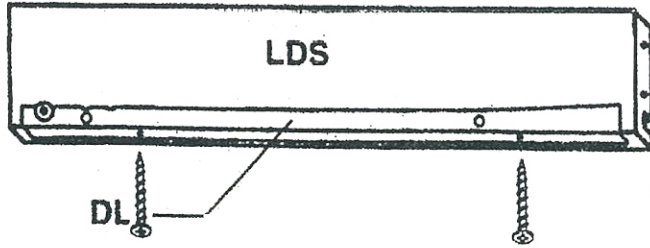


2



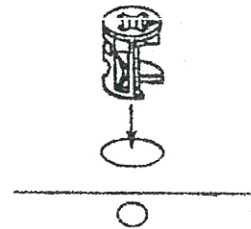
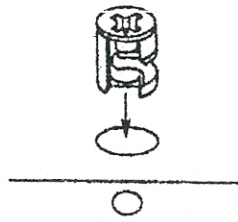
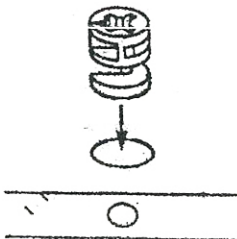
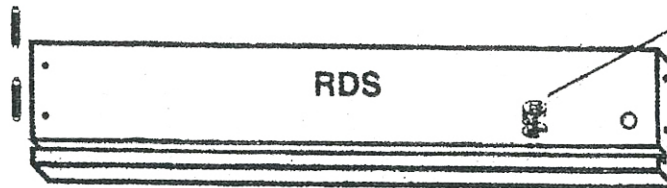
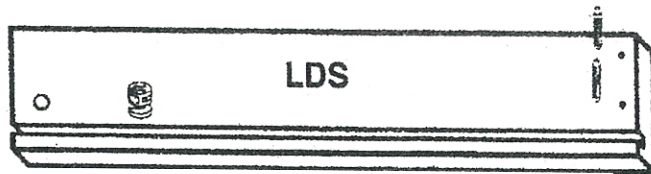
3

OUTSIDE
SHOWN

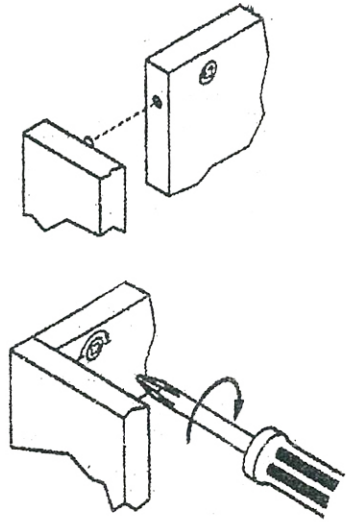
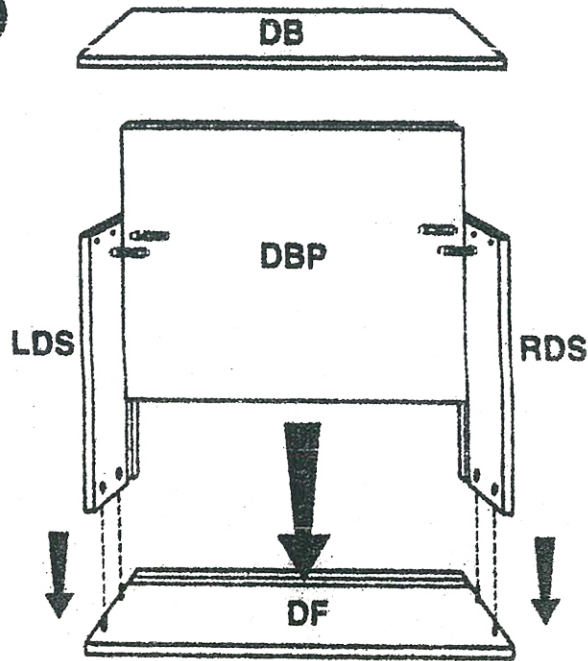


4

INSIDE
SHOWN

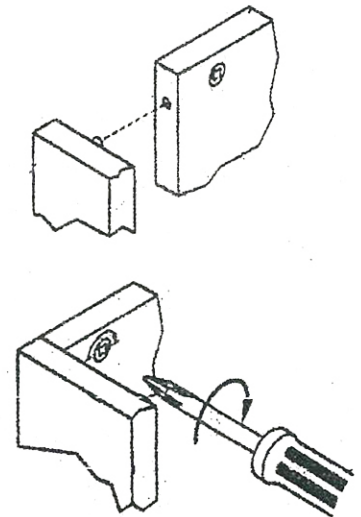
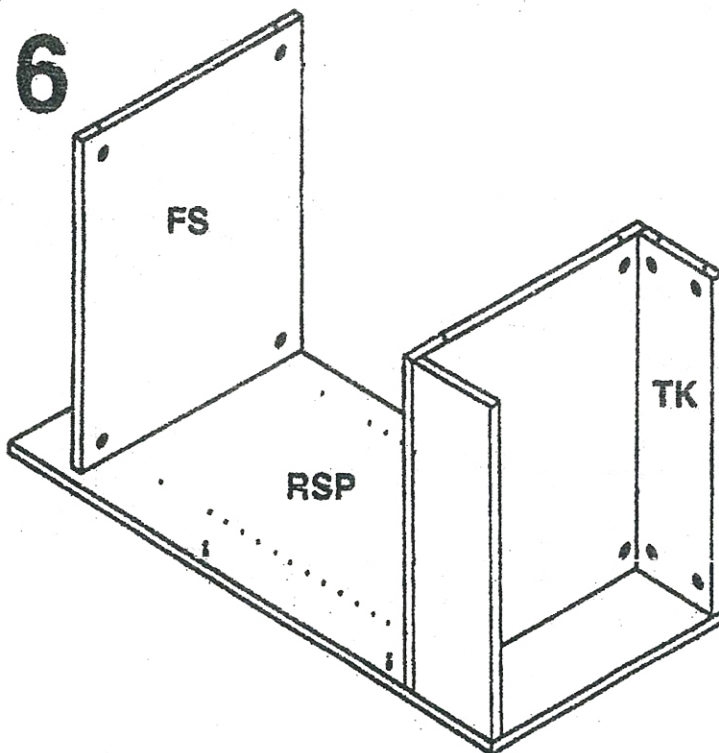


5



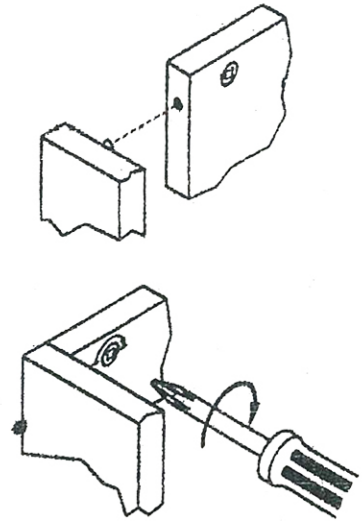
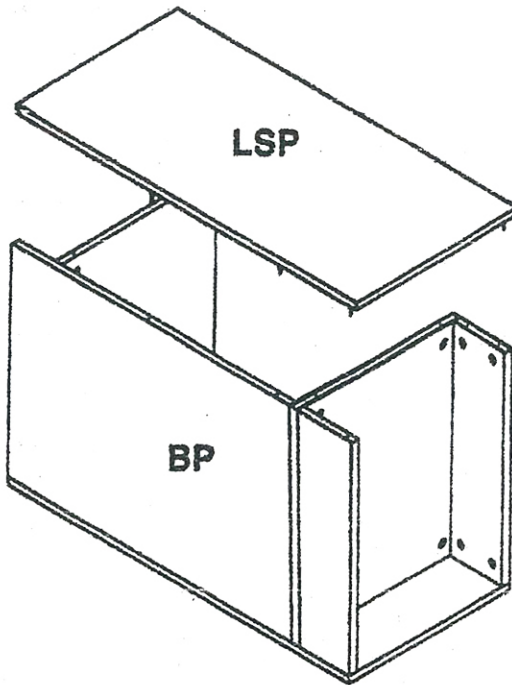
Fasten panels together and make sure all cams are locked.

6



Fasten panels together and make sure all cams are locked.

7



Fasten panels together and make sure all cams are locked.

8

