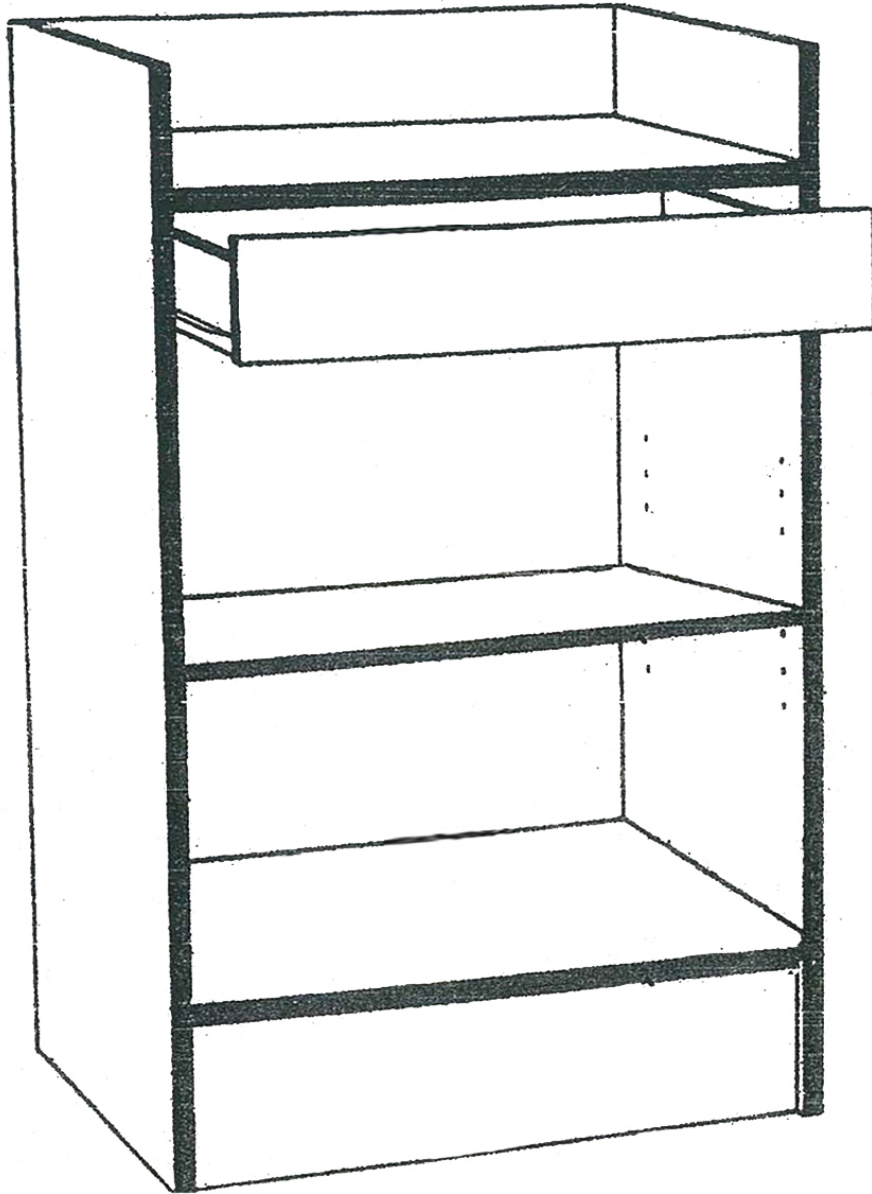
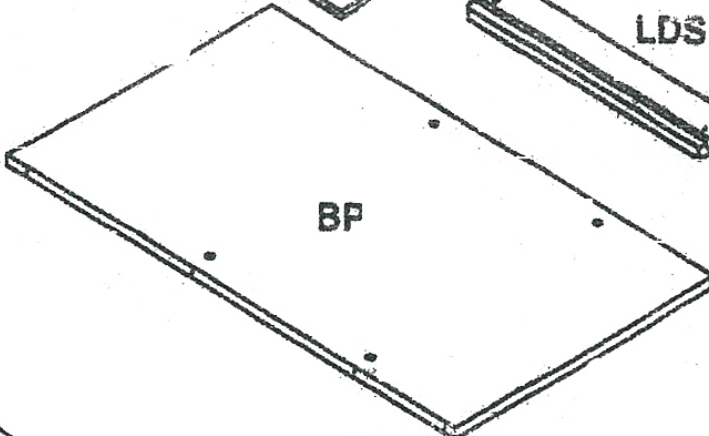
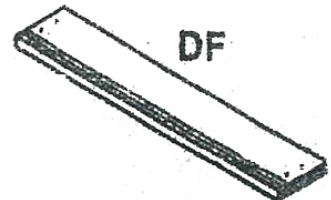
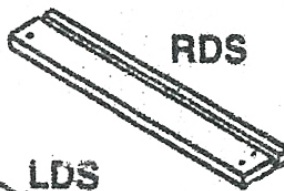
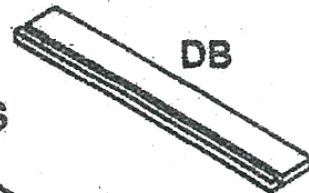
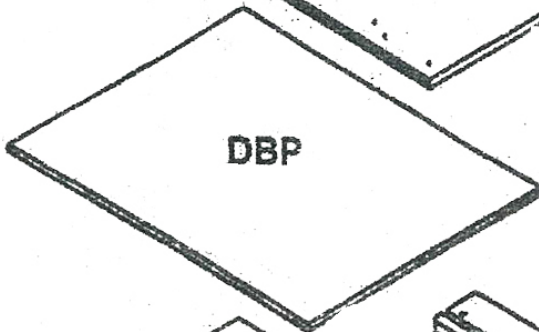
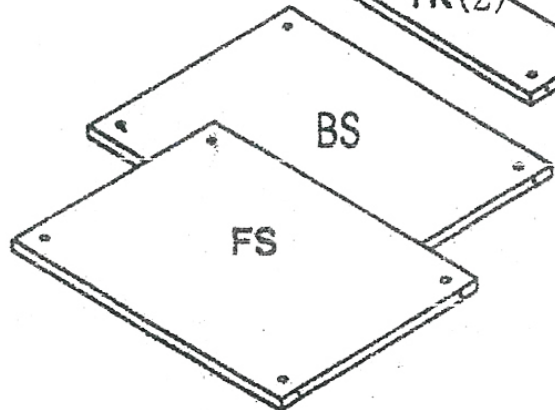
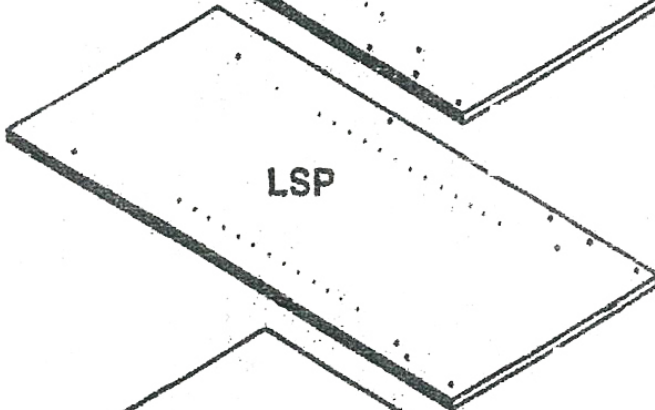
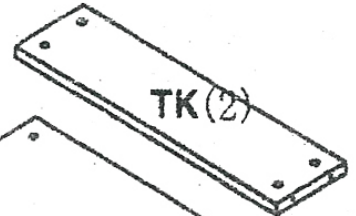
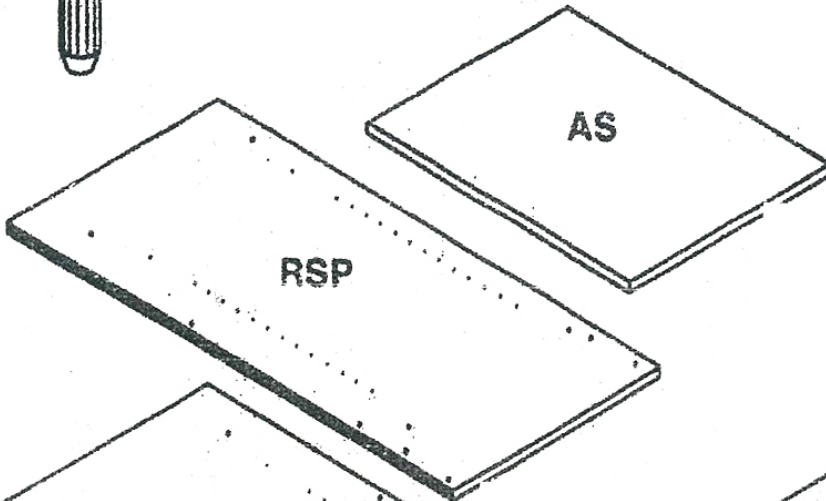
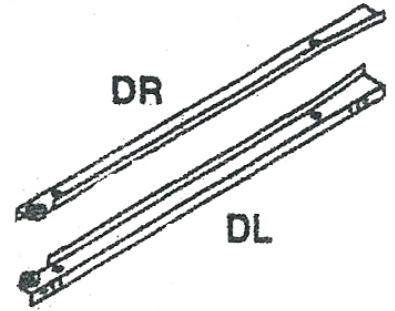
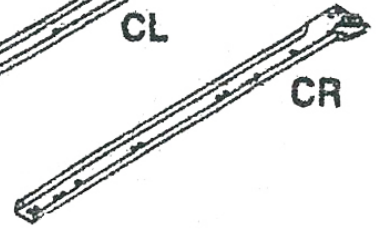
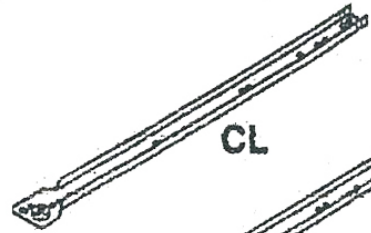
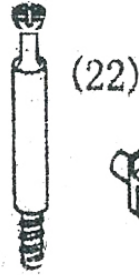
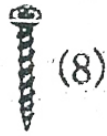


CASH STAND

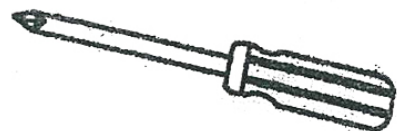


ASSEMBLY INSTRUCTIONS

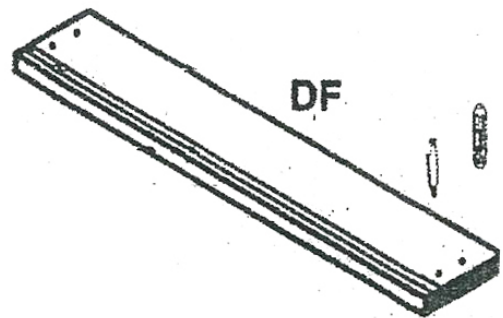
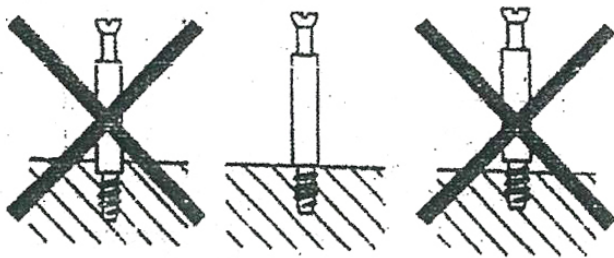
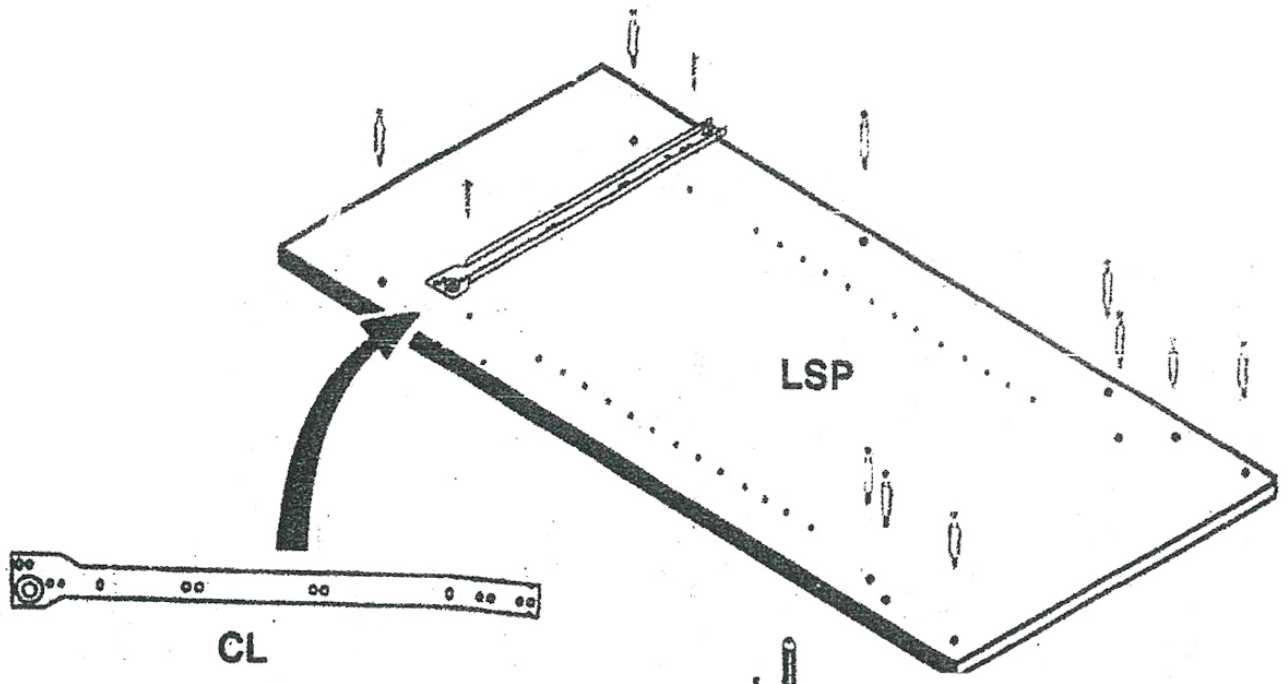
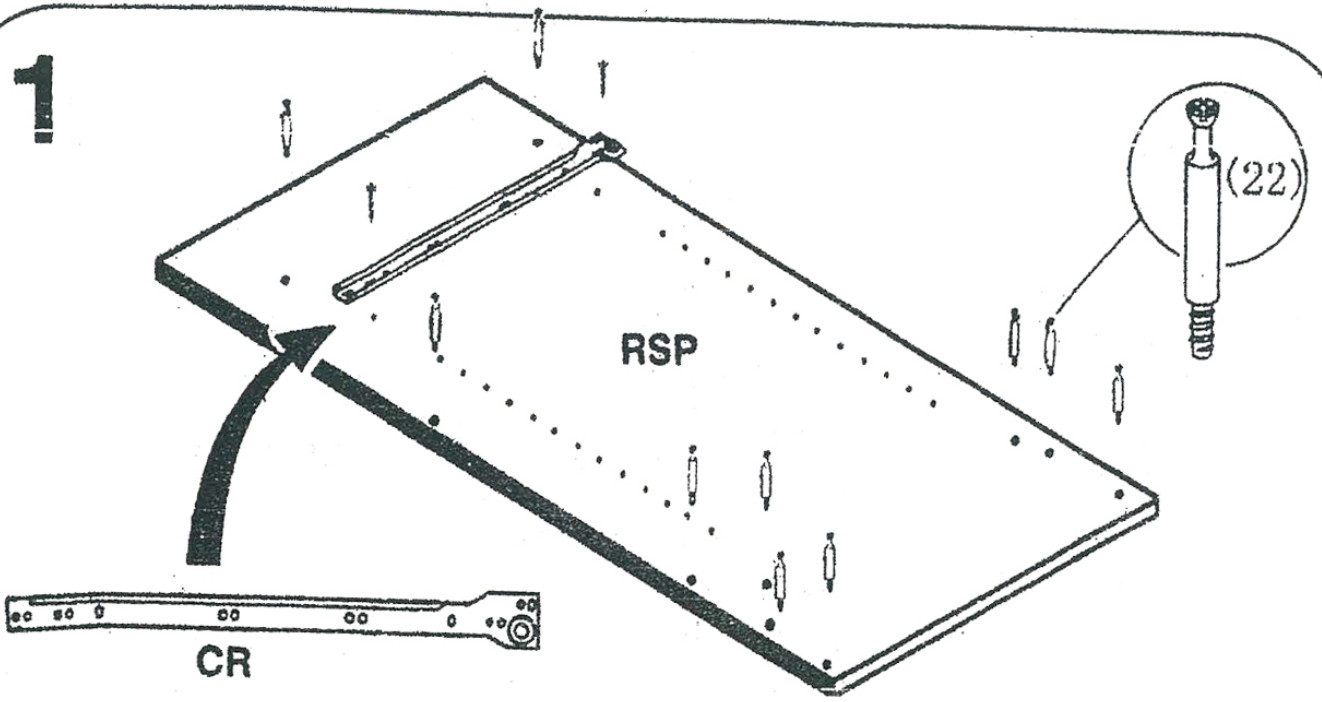
PARTS LIST



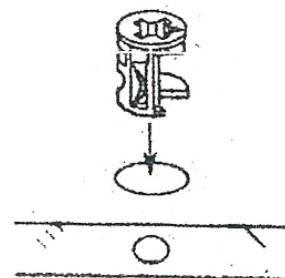
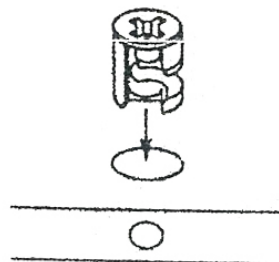
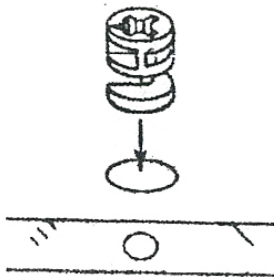
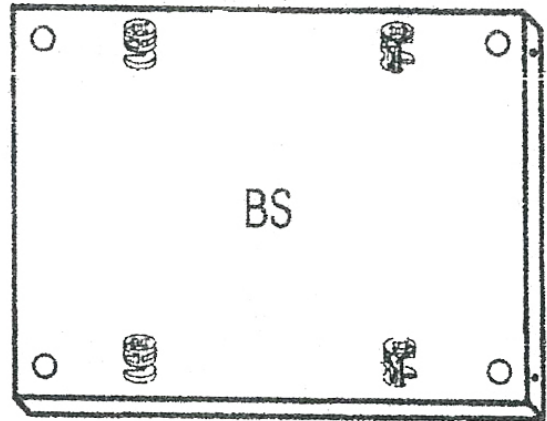
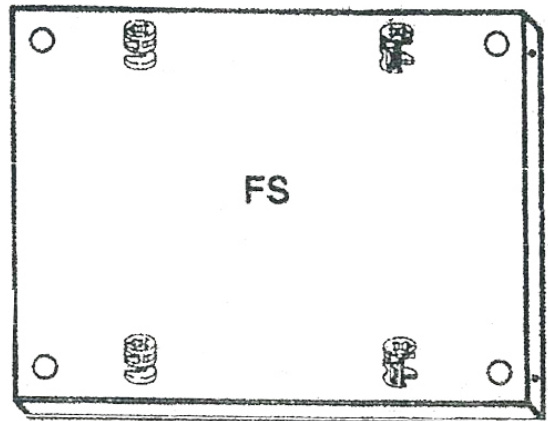
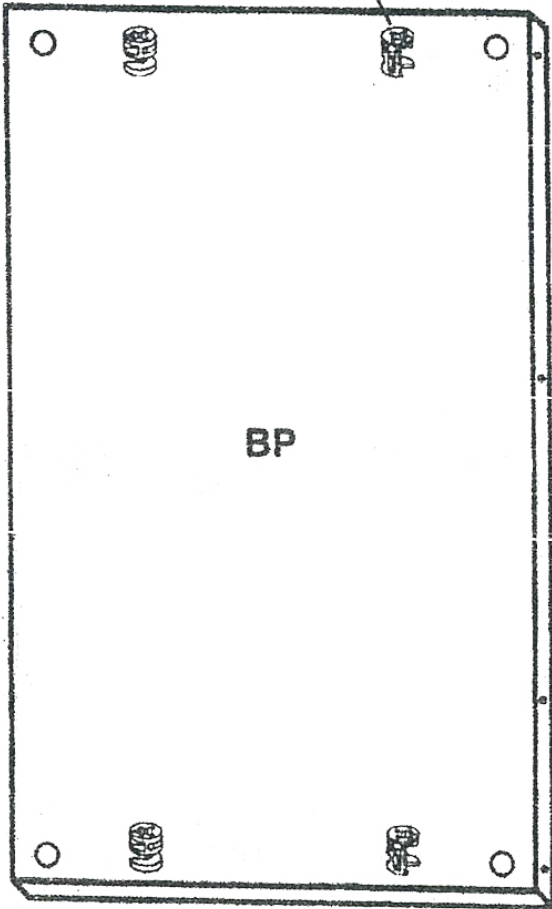
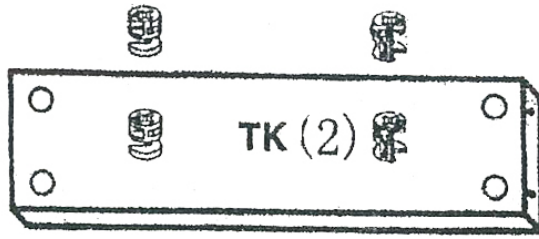
TOOL REQUIRED



1

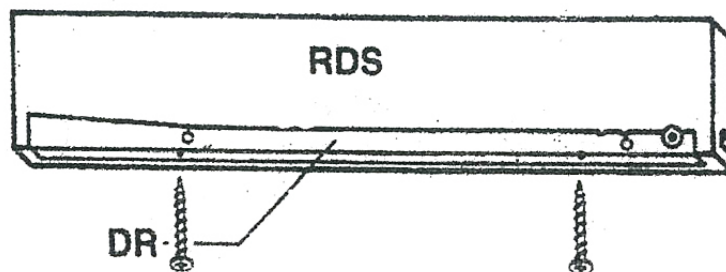
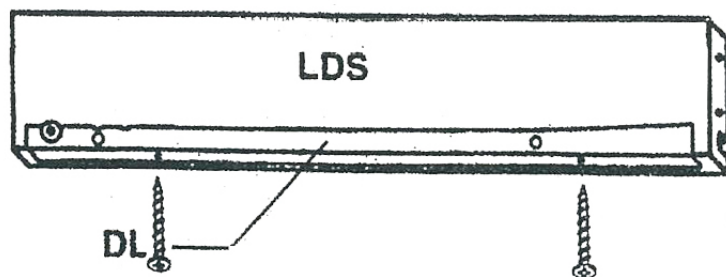


2



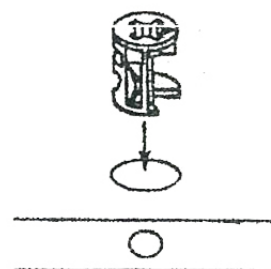
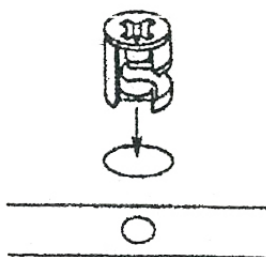
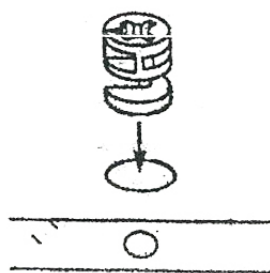
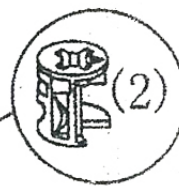
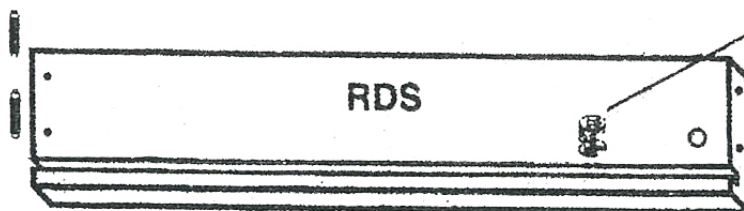
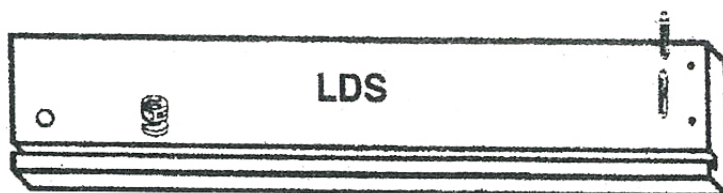
3

OUTSIDE
SHOWN

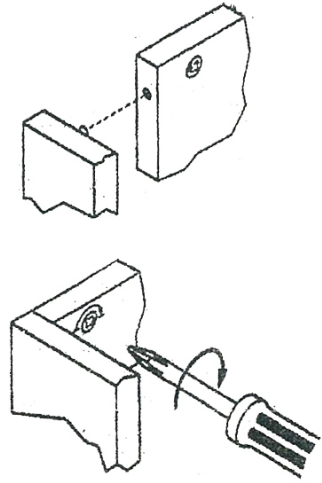
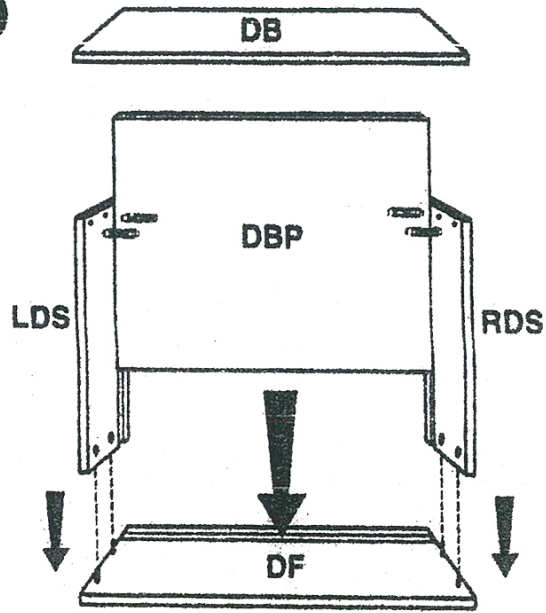


4

INSIDE
SHOWN

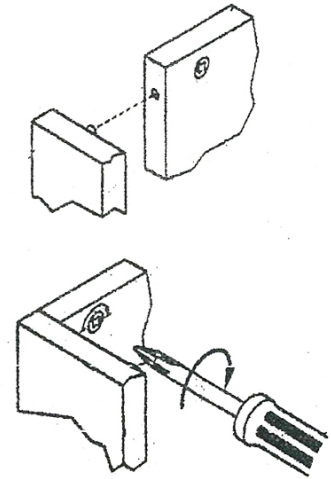
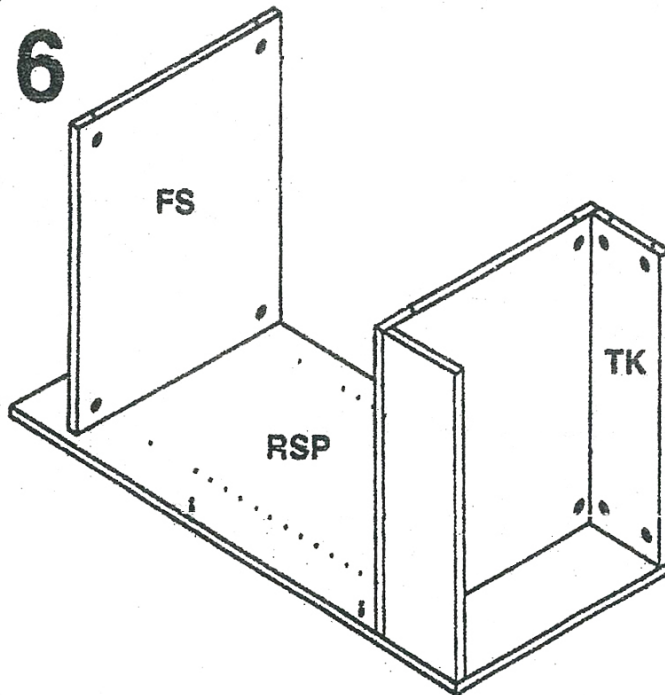


5



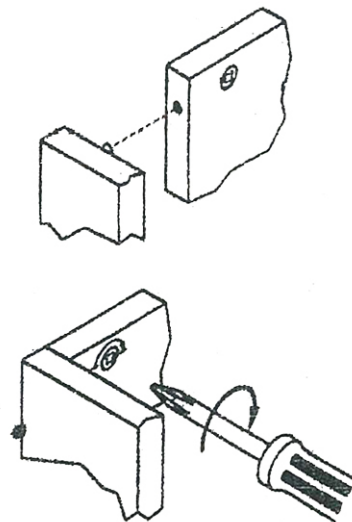
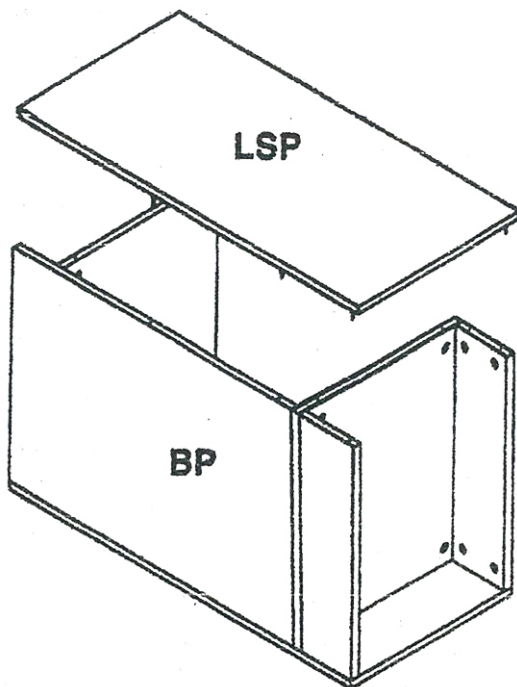
Fasten panels together and make sure all cams are locked.

6



Fasten panels together and make sure all cams are locked.

7



Fasten panels together and make sure all cams are locked.

8

