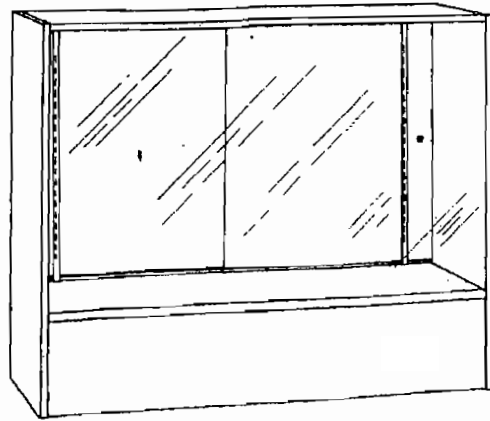
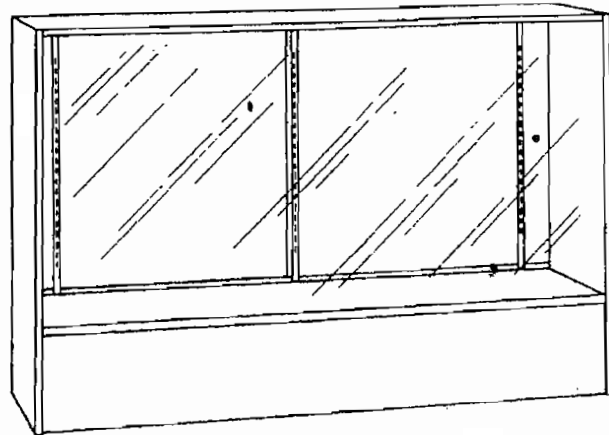


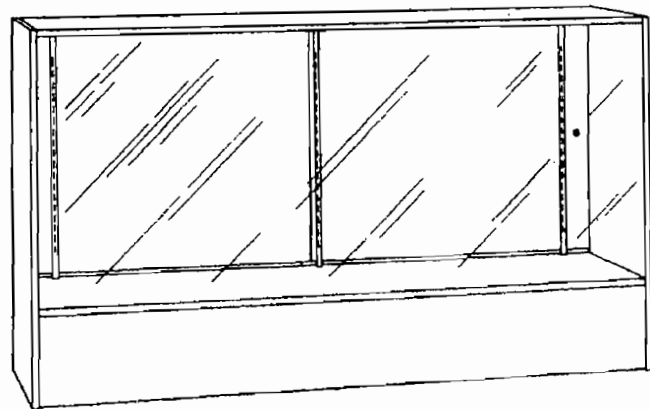
4-FOOT SHOWCASE



5-FOOT SHOWCASE



6-FOOT SHOWCASE



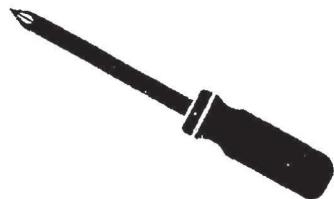
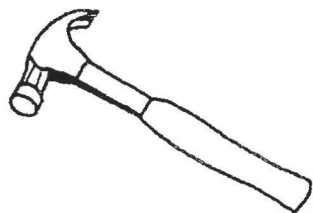
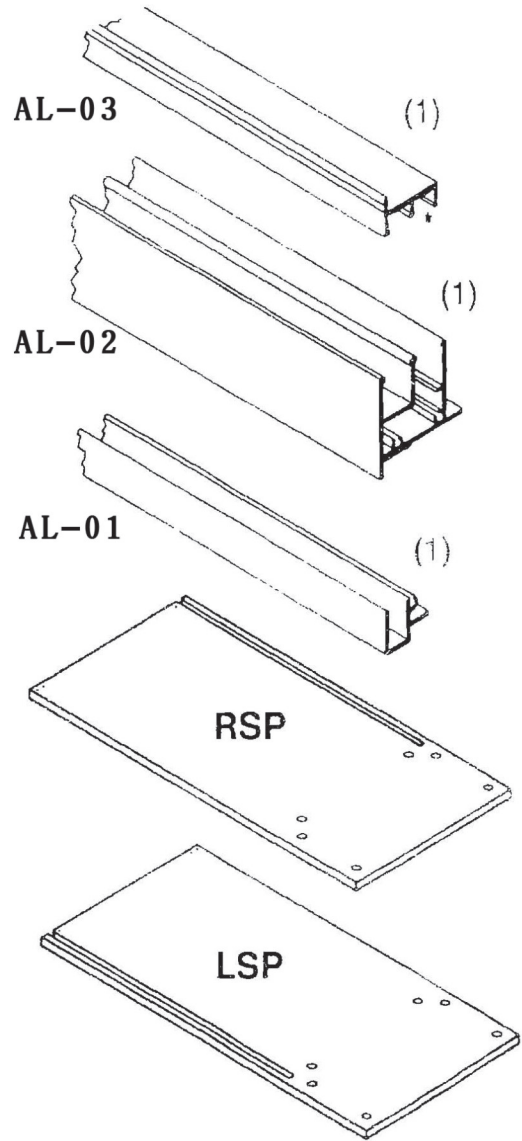
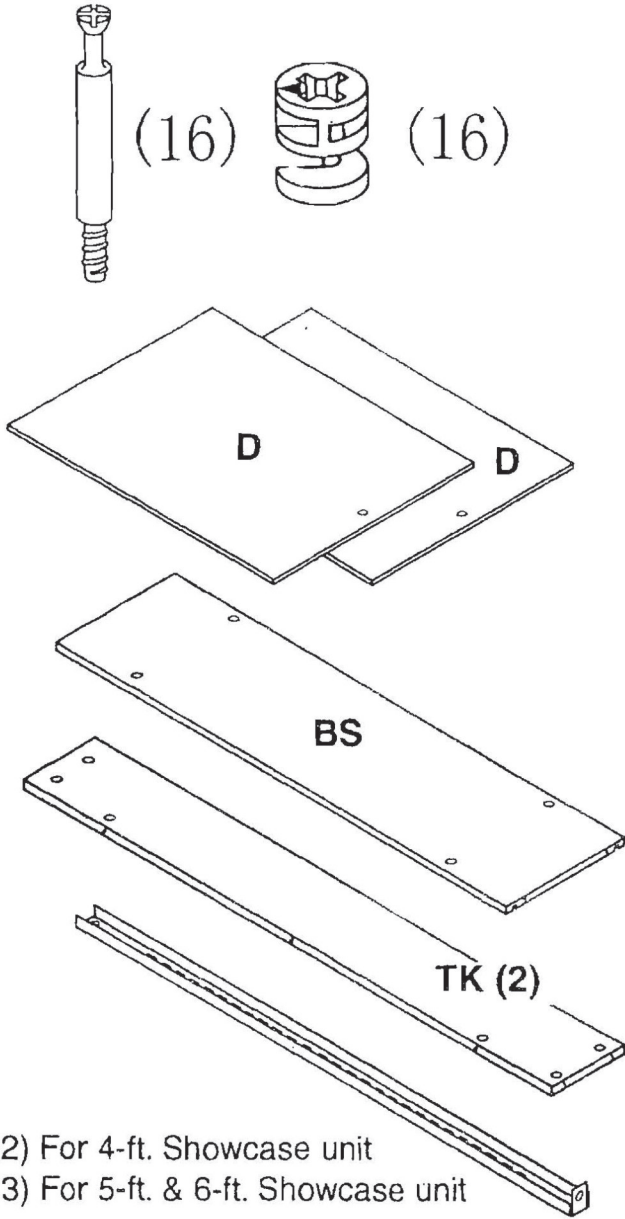
NOTE: It is recommended that two persons assemble this unit.

ASSEMBLY INSTRUCTIONS

THANK YOU FOR CHOOSING OUR SHOWCASE

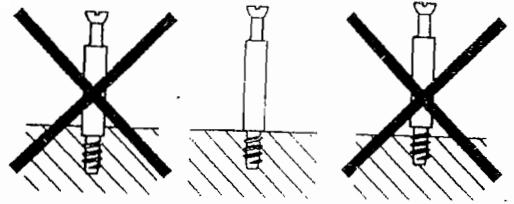
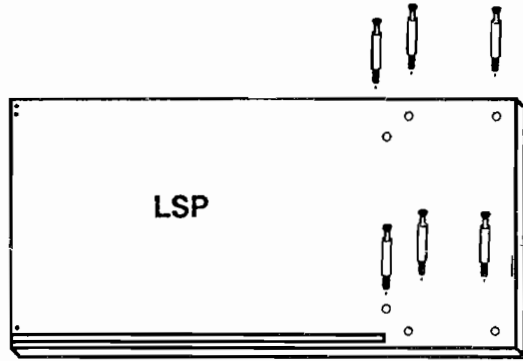
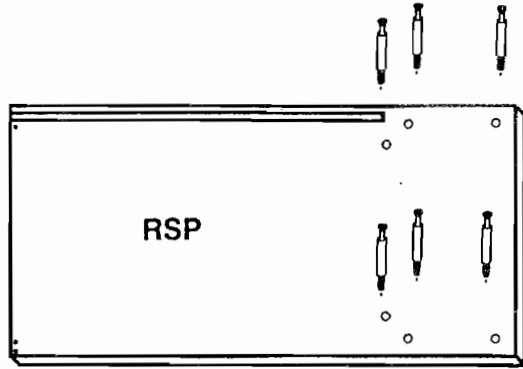
PARTS LIST

FELTS PLASTIC GASKET,
ALUMINUM EXTRUSIONS,
STANDARDS, BRACKETS
AND SCREWS PACKED IN
ONE CARTON

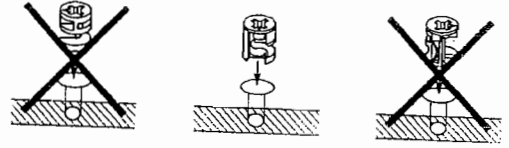
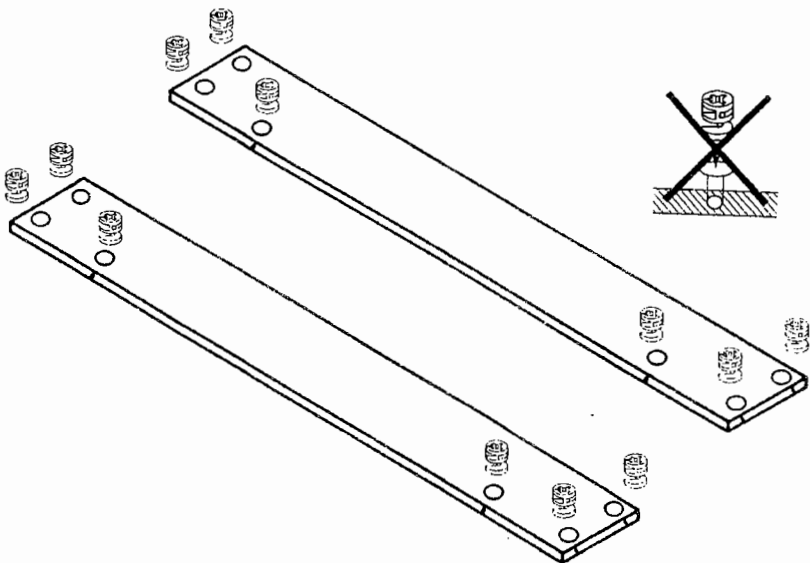


TOOLS REQUIRED

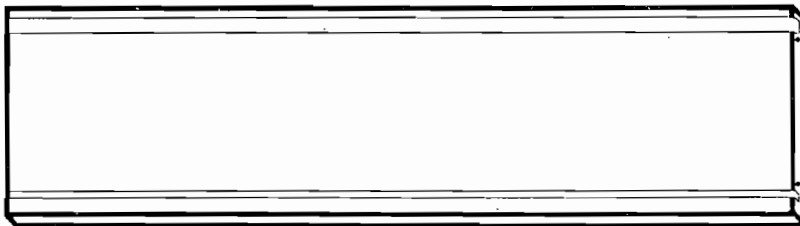
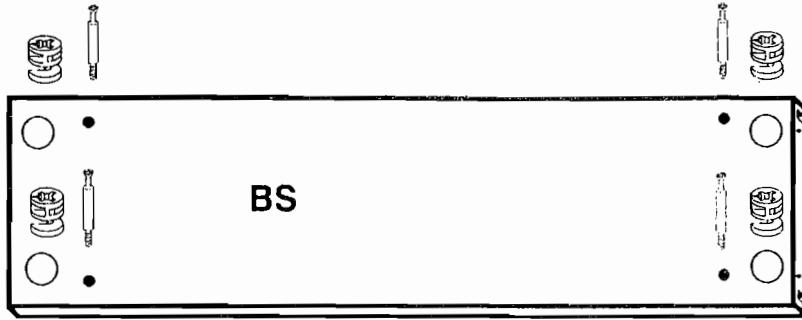
1



2



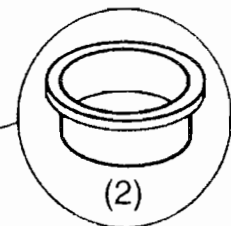
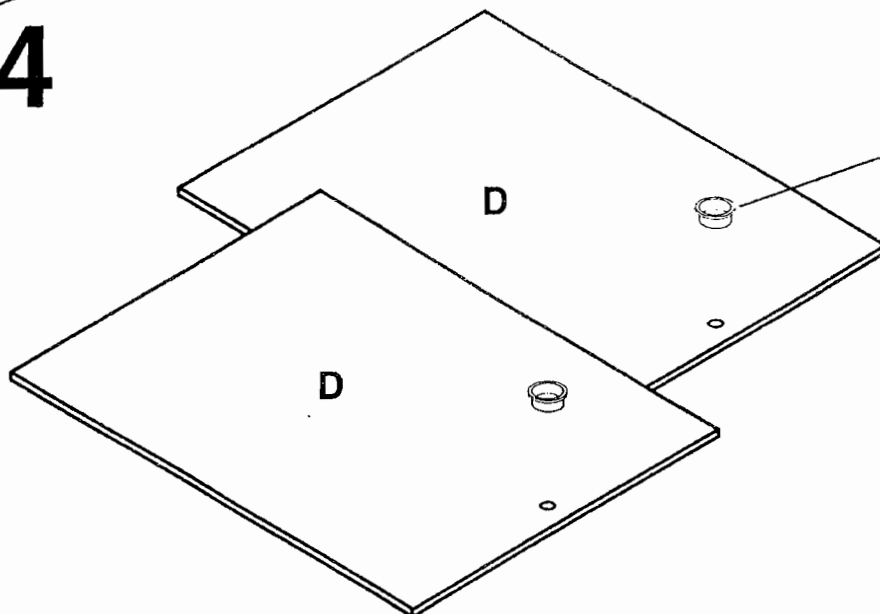
3



6mm groove

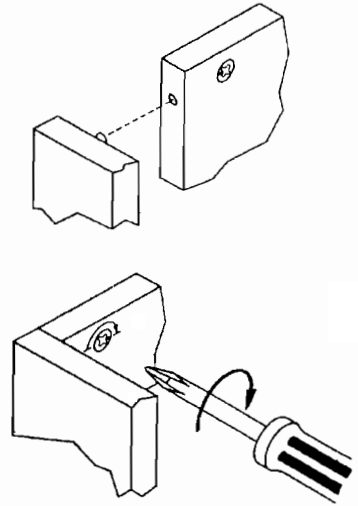
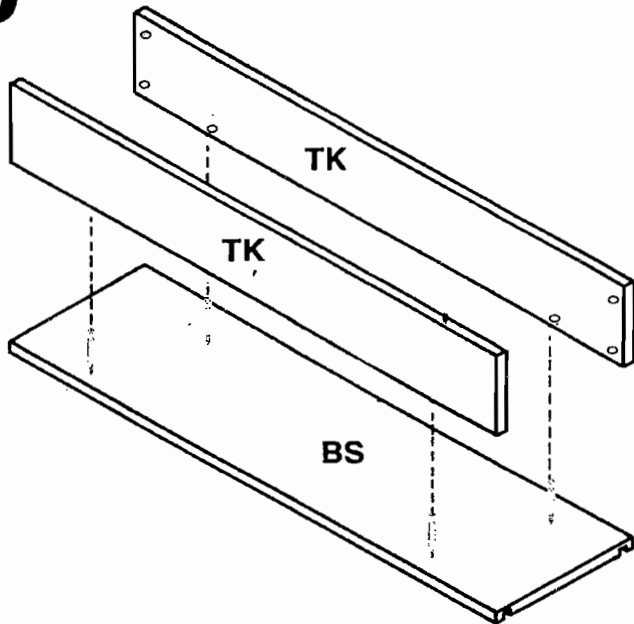
2mm groove

4



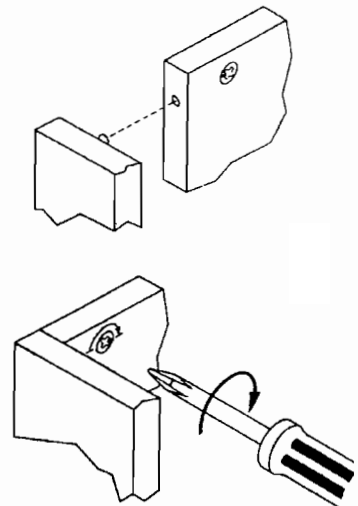
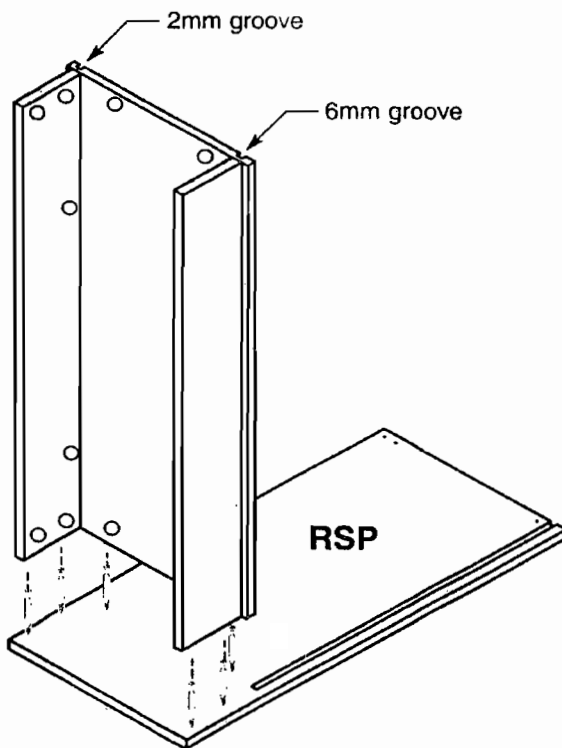
DONE IN FACTORY

5



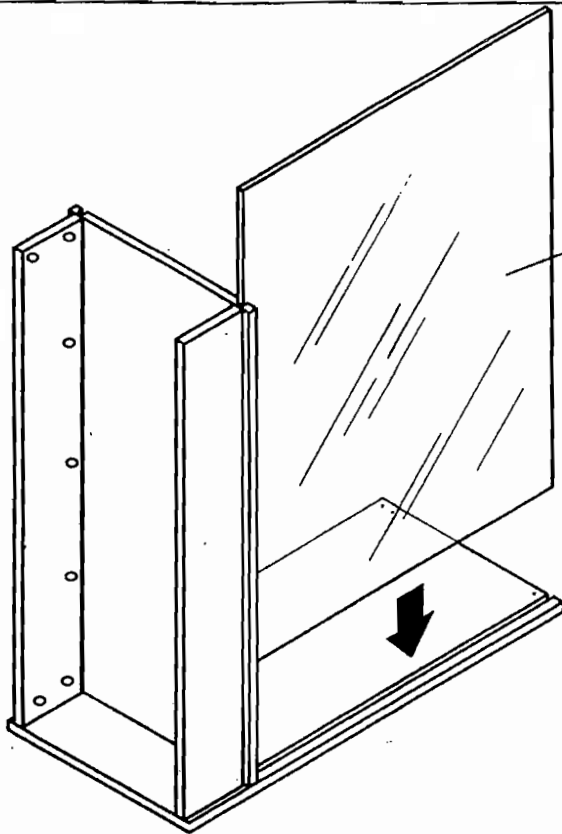
Fasten panels together and make sure all cams are locked.

6



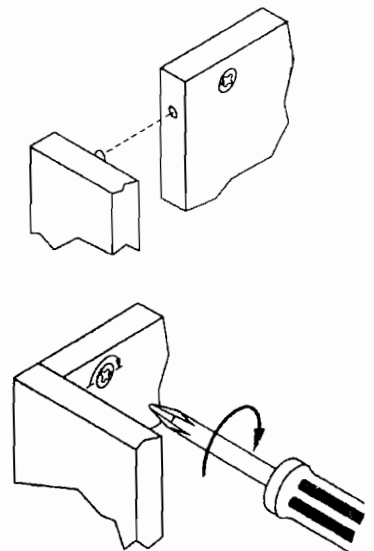
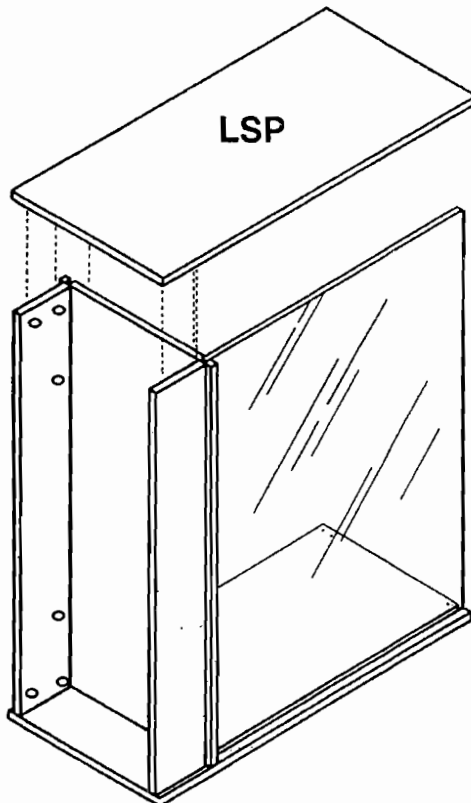
Fasten panels together and make sure all cams are locked.

7



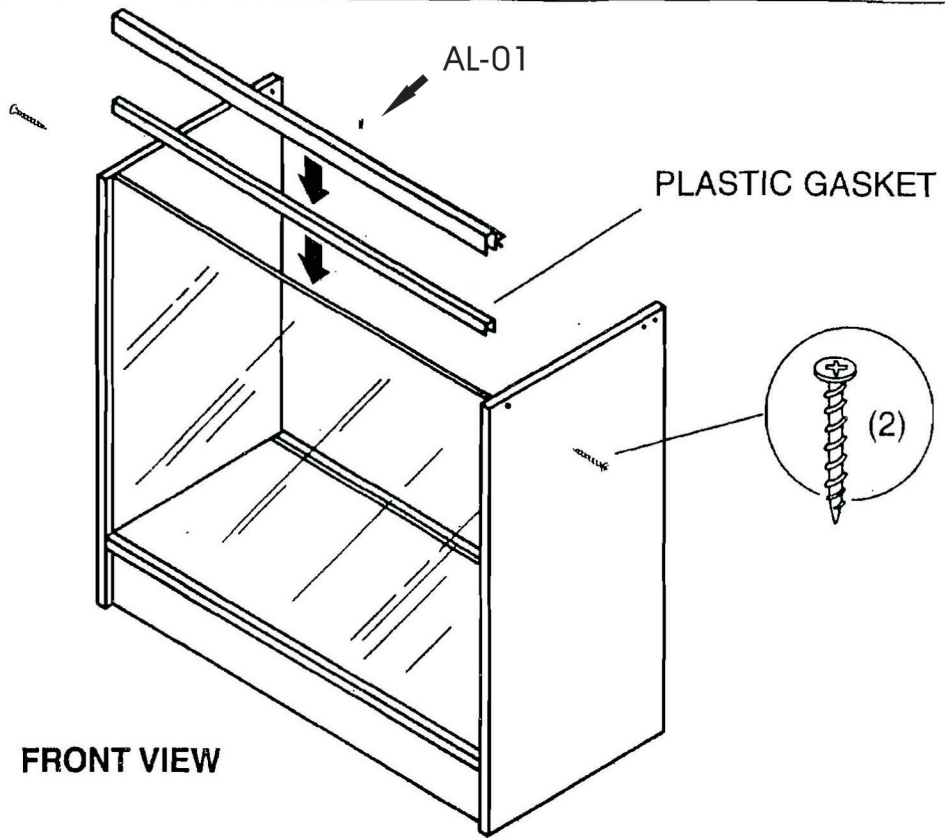
FRONT GLASS PANEL
(4 PCS OF GLASS PACKED IN ONE CARTON)

8

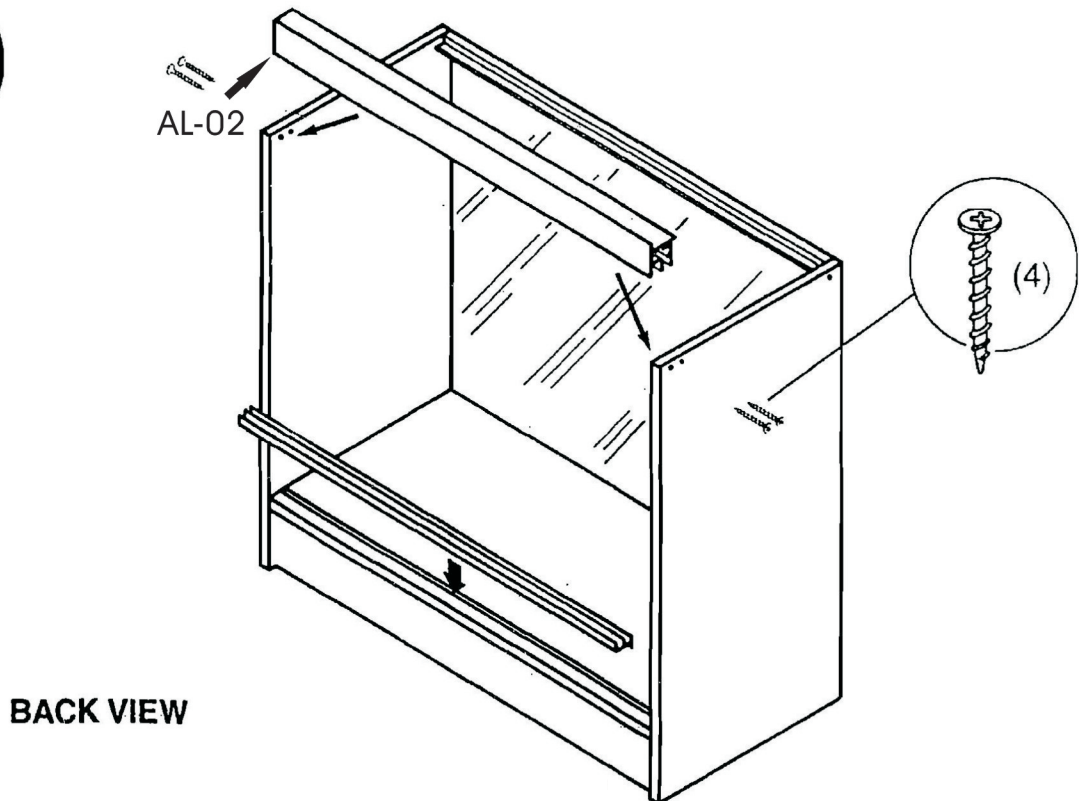


**Fasten panels together and
make sure all cams are locked.**

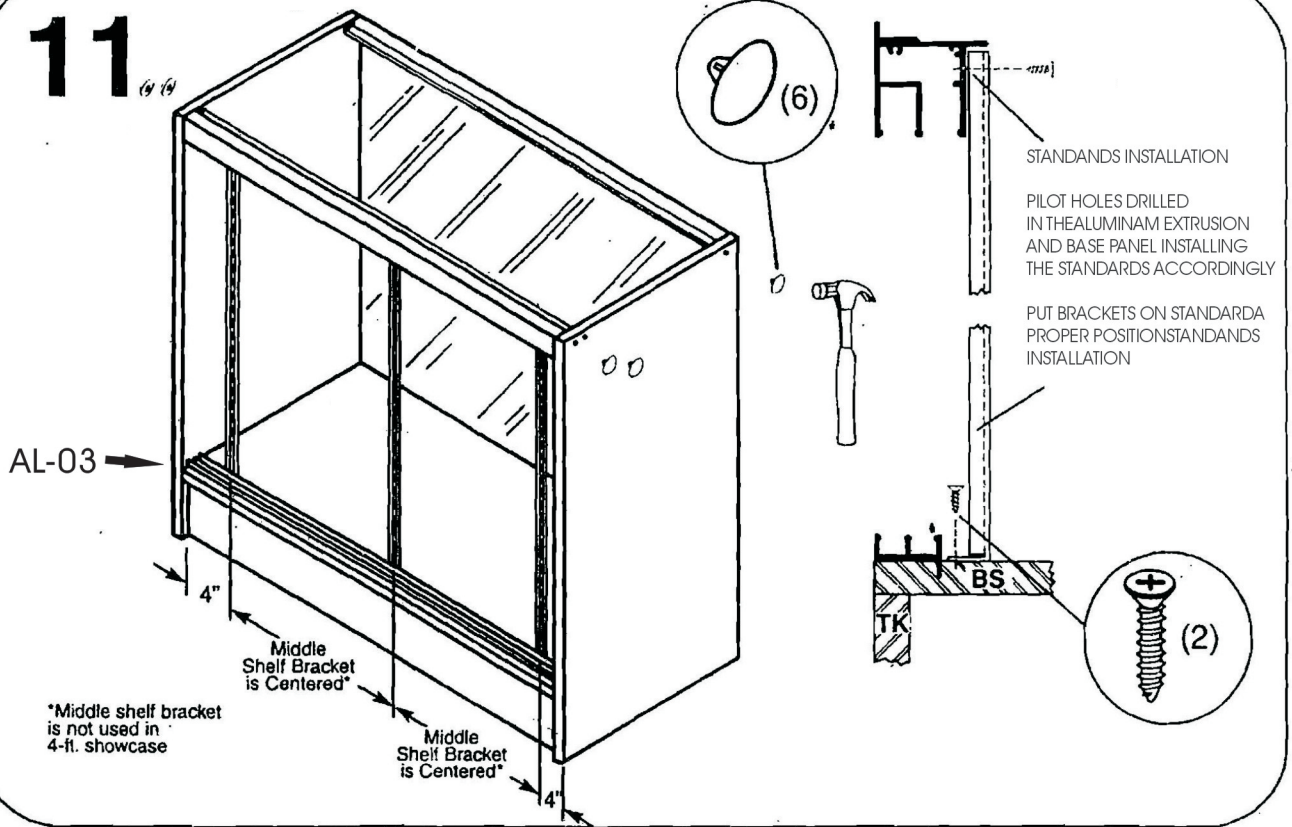
9



10



11



12

