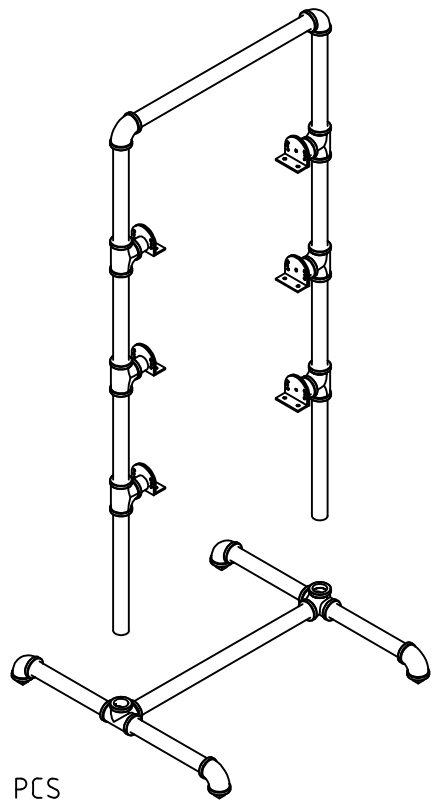





Assembling Process

STEP1
PL-WT1

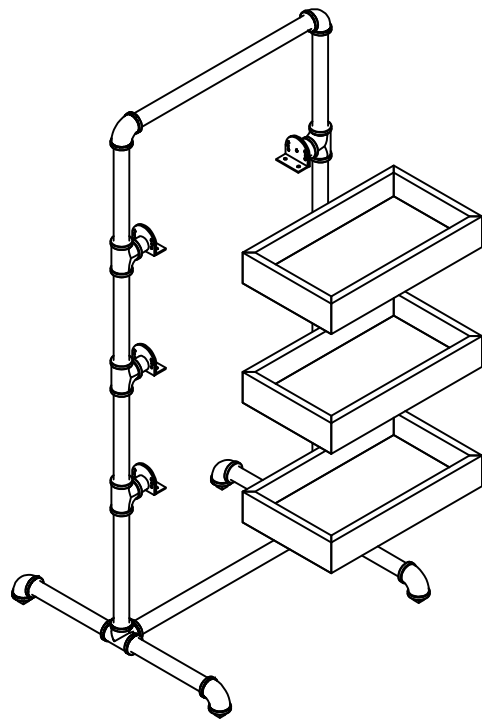


 — 12 PCS

 — 2 PCS

 — 12 PCS

STEP2



STEP3

