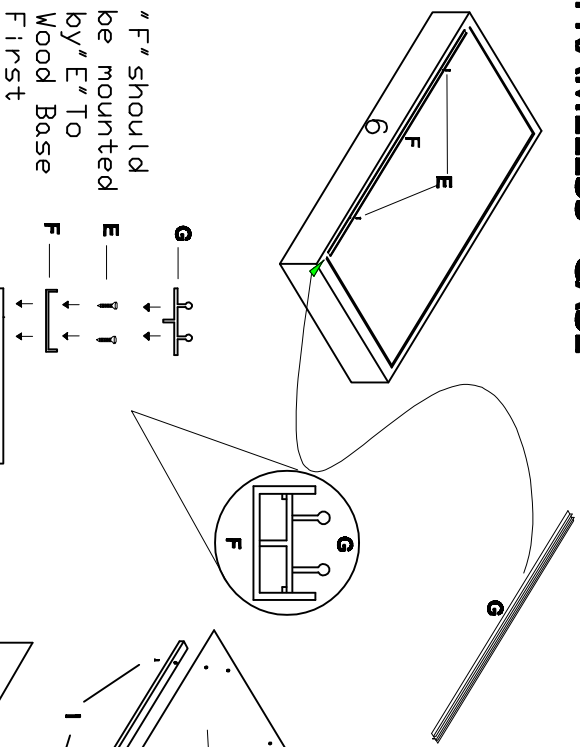
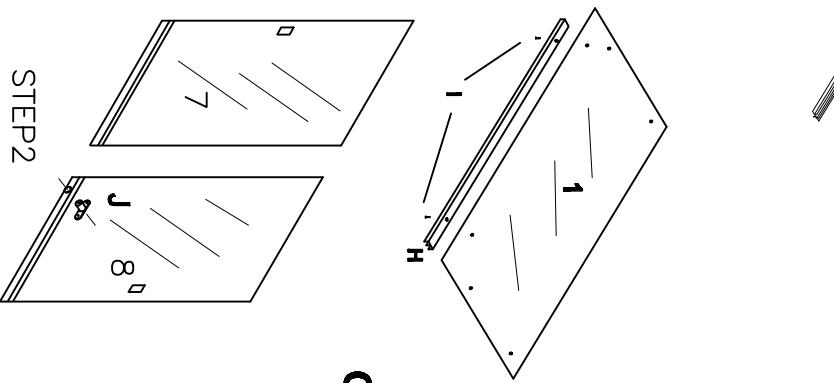


ASSEMBLY INSTRUCTION FRAMELESS CASE

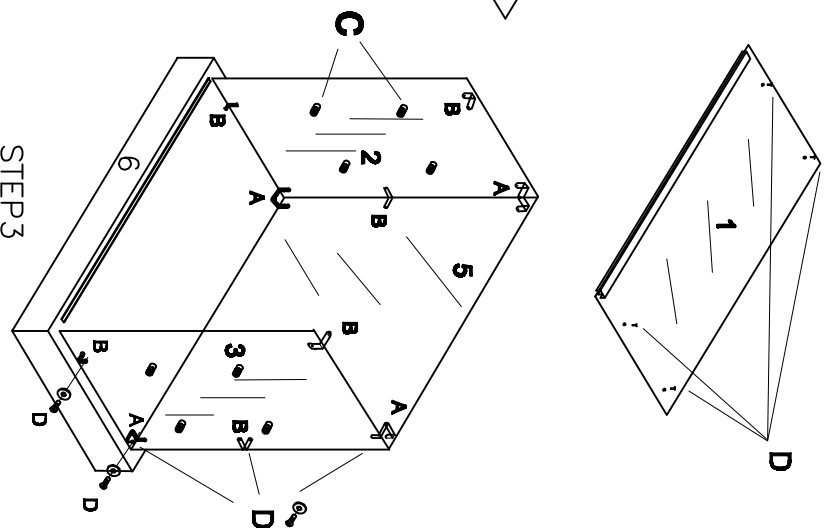
NOTE: IT IS RECOMMENDED THAT TWO PERSONS TO ASSEMBLE THIS UNIT.



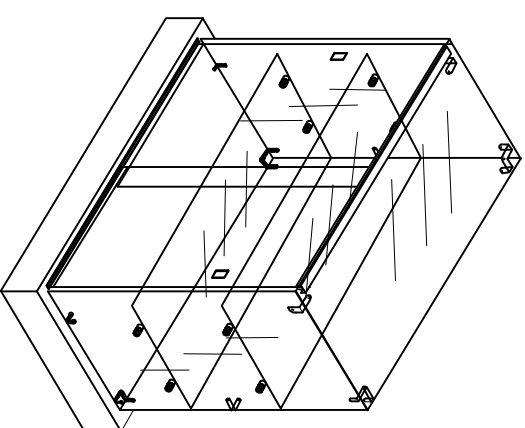
STEP1



STEP2



STEP3



STEP4

PARTS LIST

NO.	QTY	DESCRIPTION
1	1PC	TOP
2	2PCS	SIDE BOARD
3	2PCS	SHELF
4	1PC	BACK BOARD
5	1SET	WOOD BASE
6	1PC	RIGHT DOOR
7	1PC	LEFT DOOR

REMARK: 2020-12-31

A	B	C	D	E	F	G	H	I	J	K
4PCS	6PCS	8PCS	24PCS	2PCS	1PC	1PC	1PC	2PC	1PC	1PC