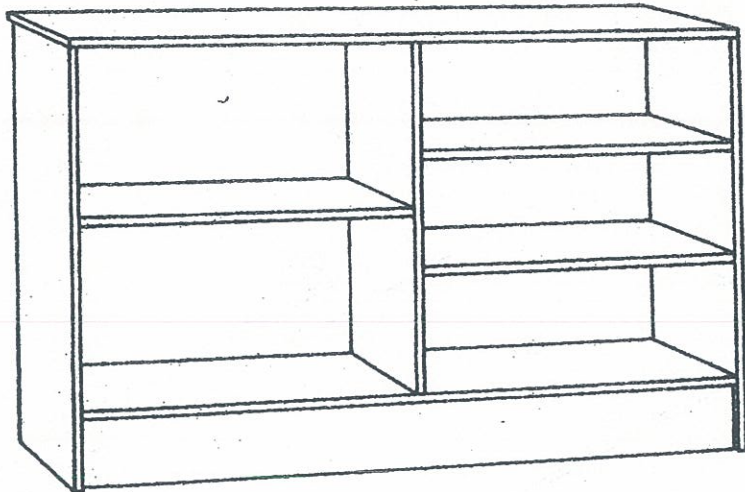
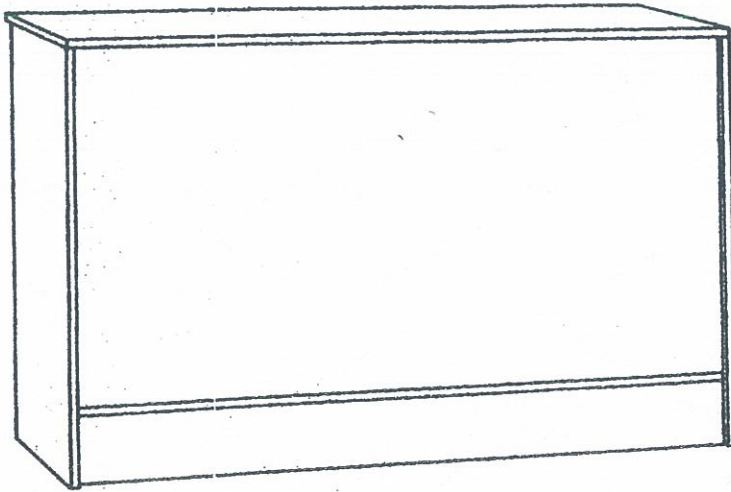


WRAP COUNTER



NOTE: It is recommended that two persons assemble this unit.

ASSEMBLY INSTRUCTIONS

PARTS LIST



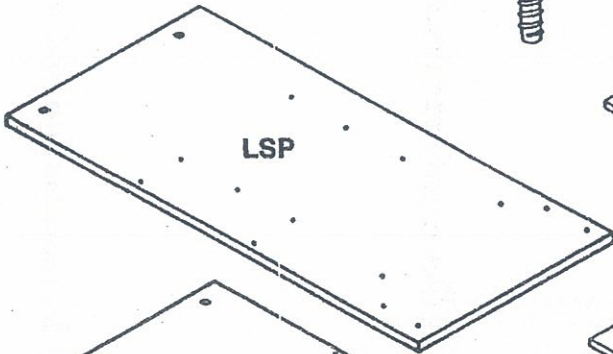
(23)



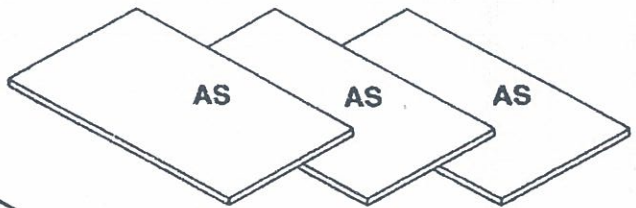
(23)



(12)



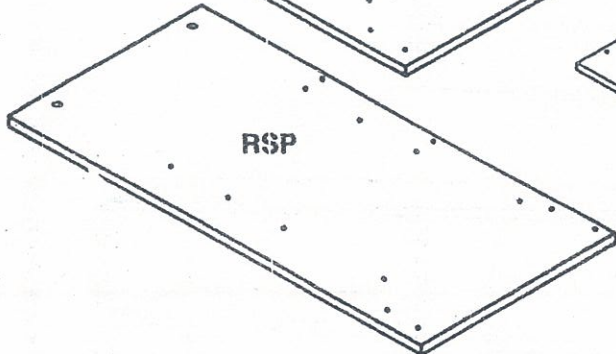
LSP



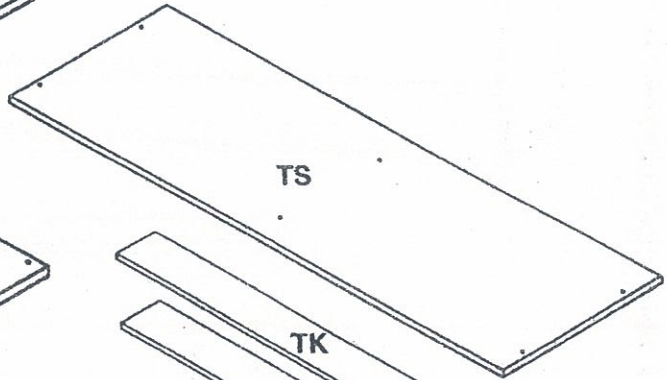
AS

AS

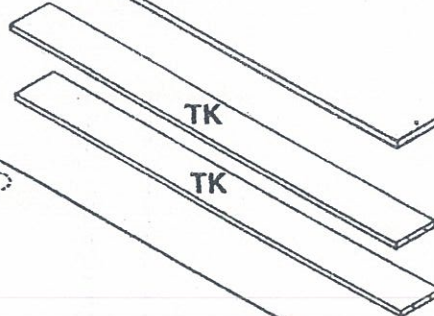
AS



RSP

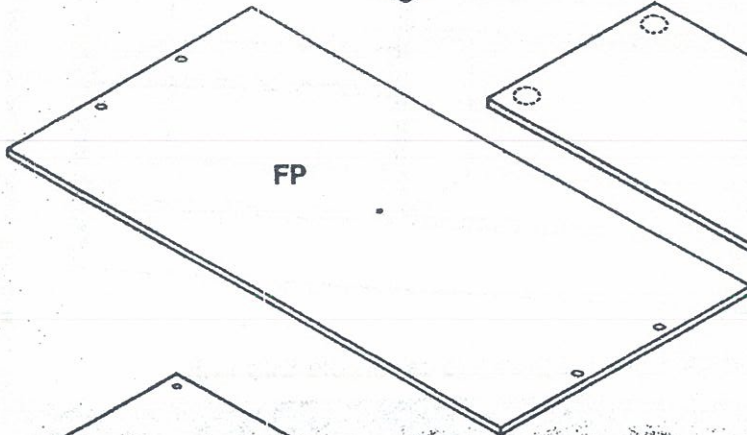


TS

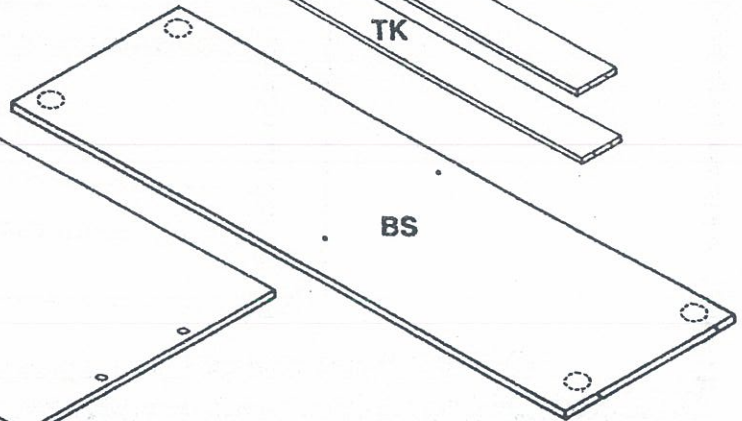


TK

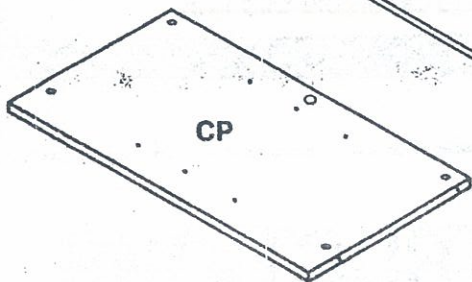
TK



FP



BS

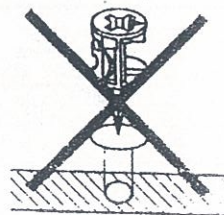
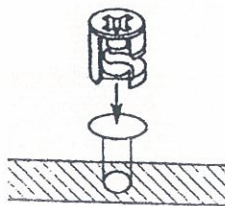
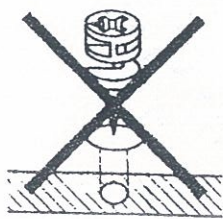
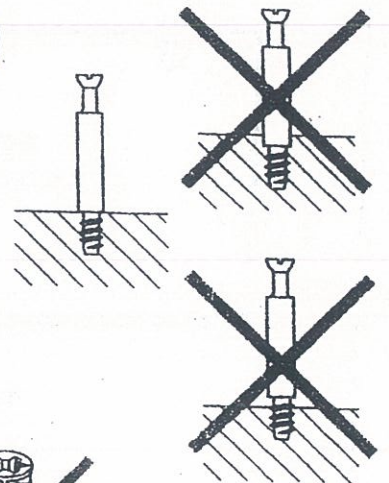
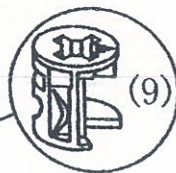
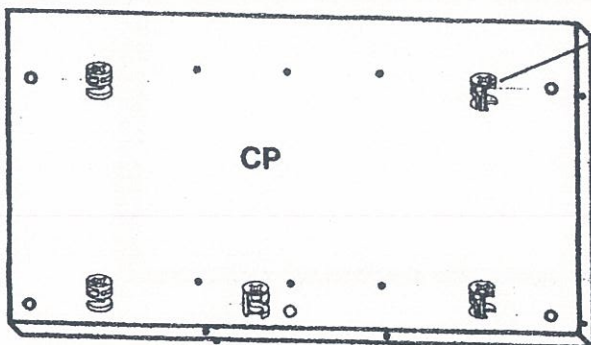
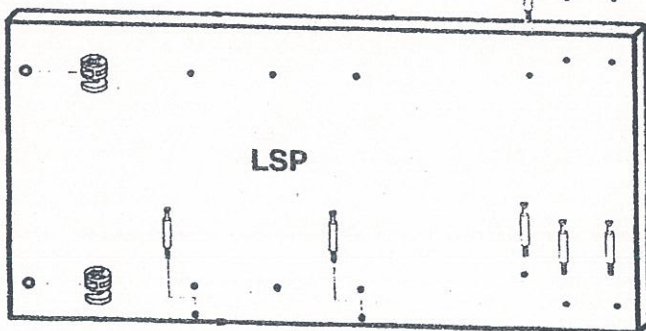
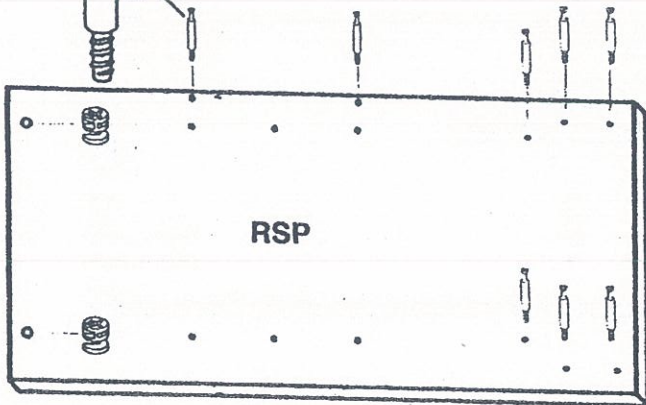
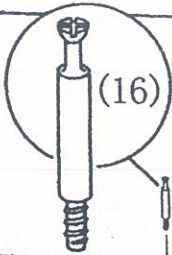


CP

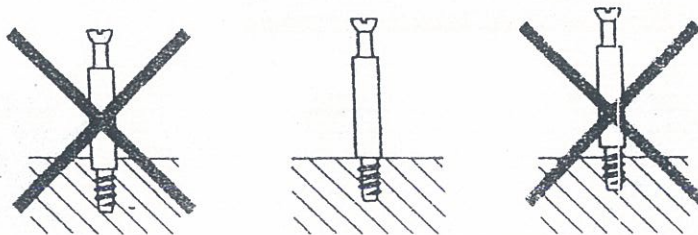
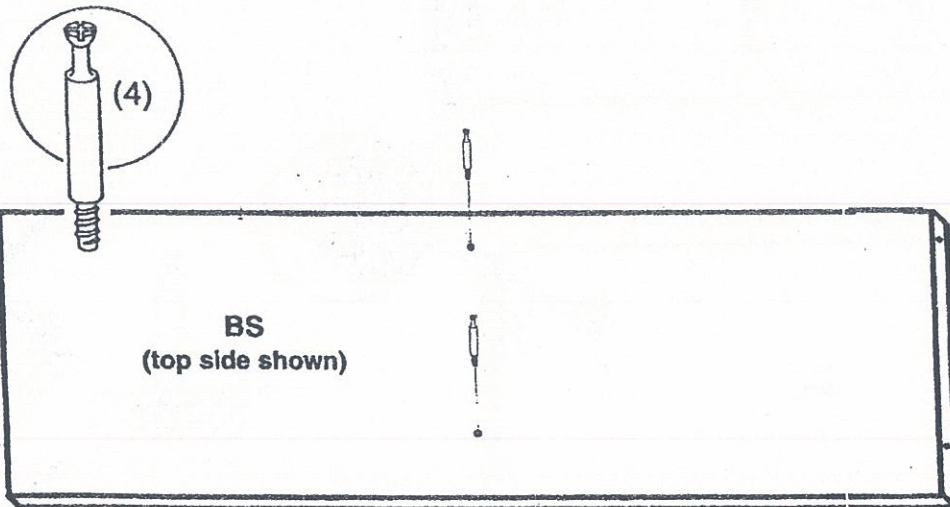
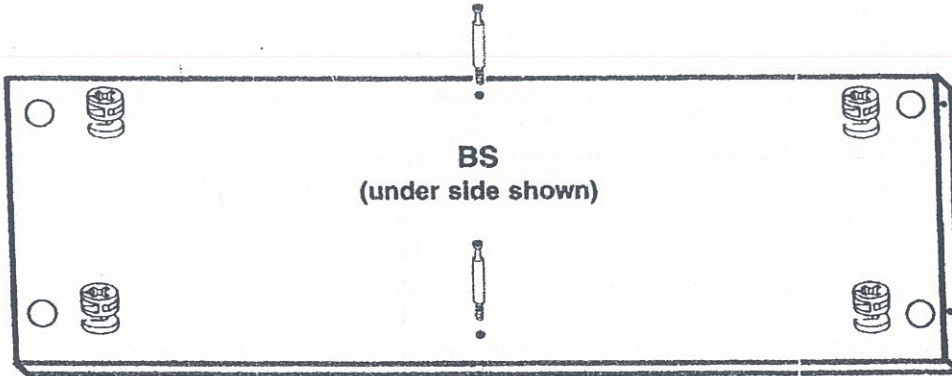
TOOLS REQUIRED



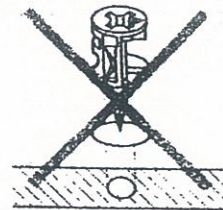
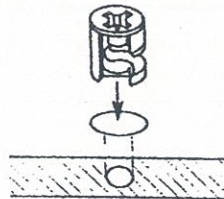
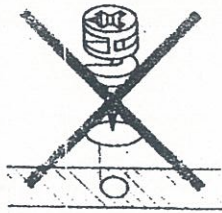
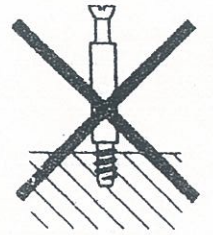
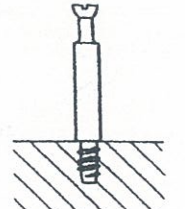
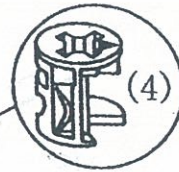
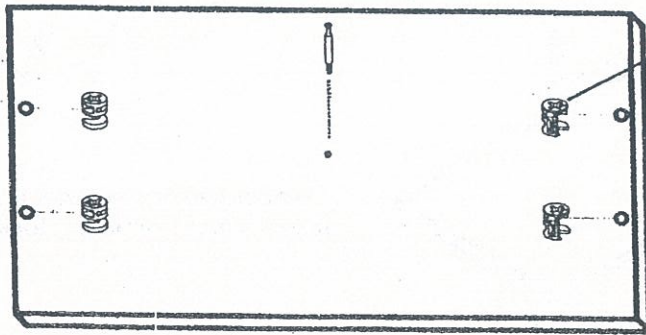
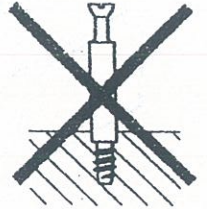
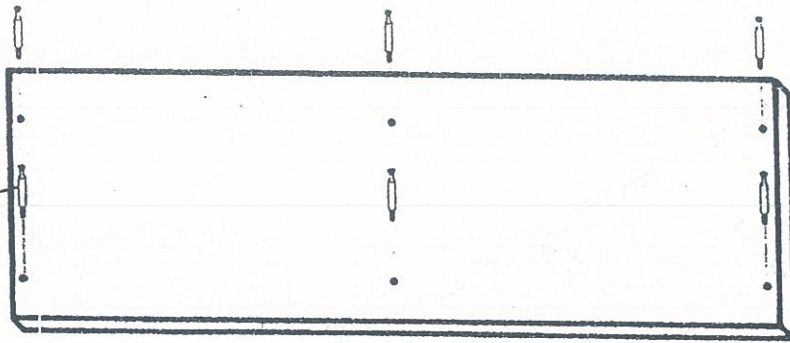
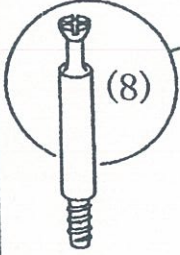
1



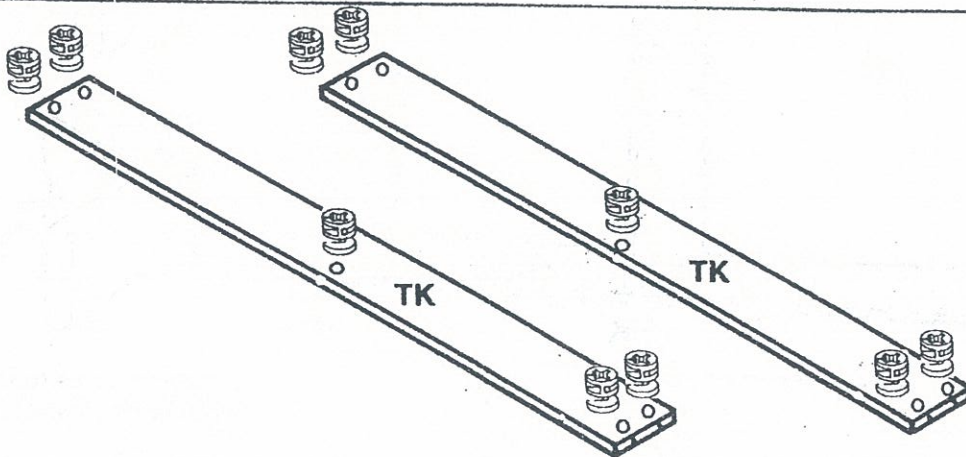
2



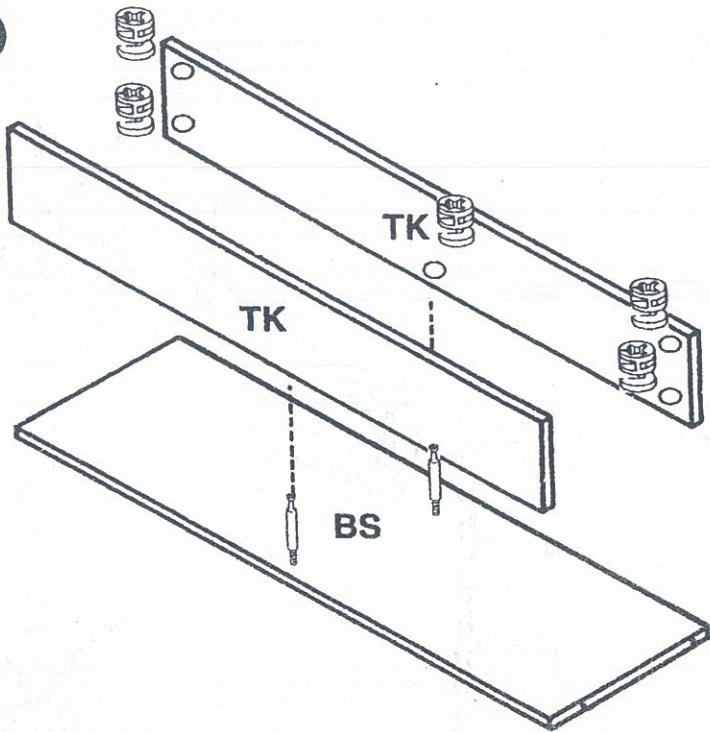
3



4

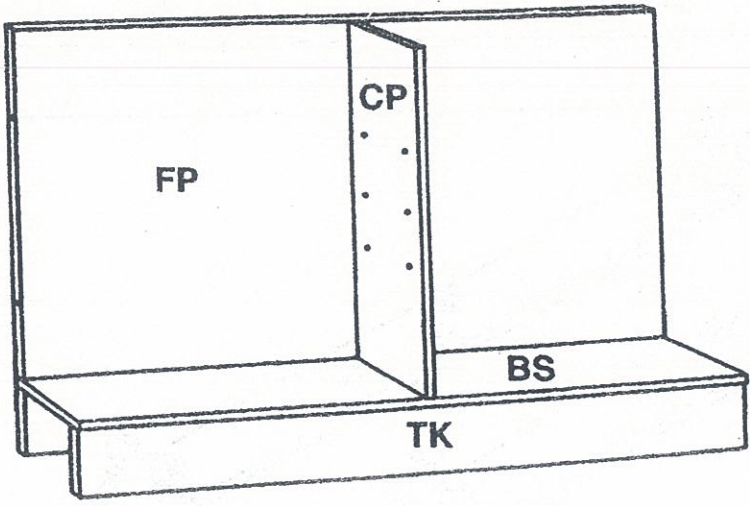


5



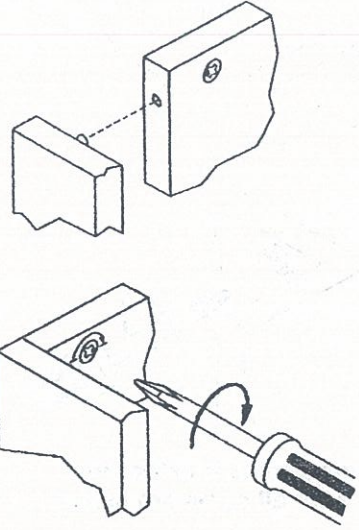
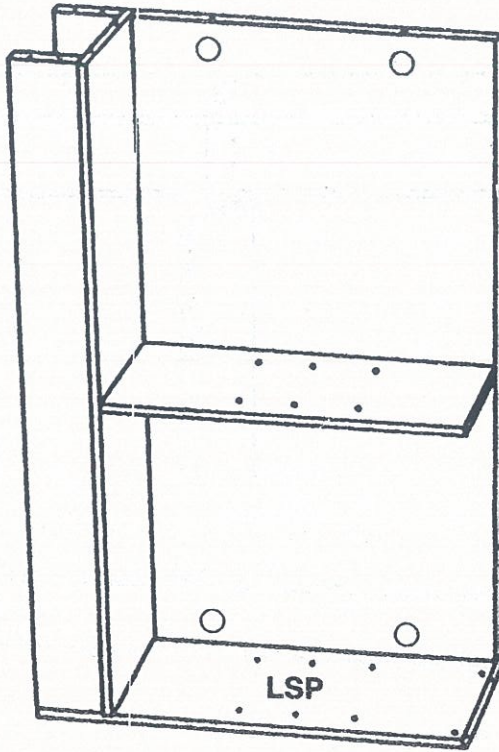
Fasten panels together and make sure all cams are locked.

6

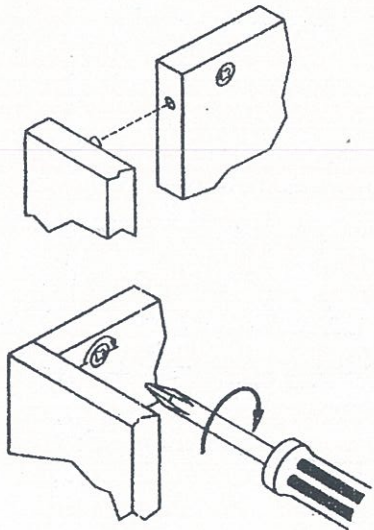


Fasten panels together and make sure all cams are locked.

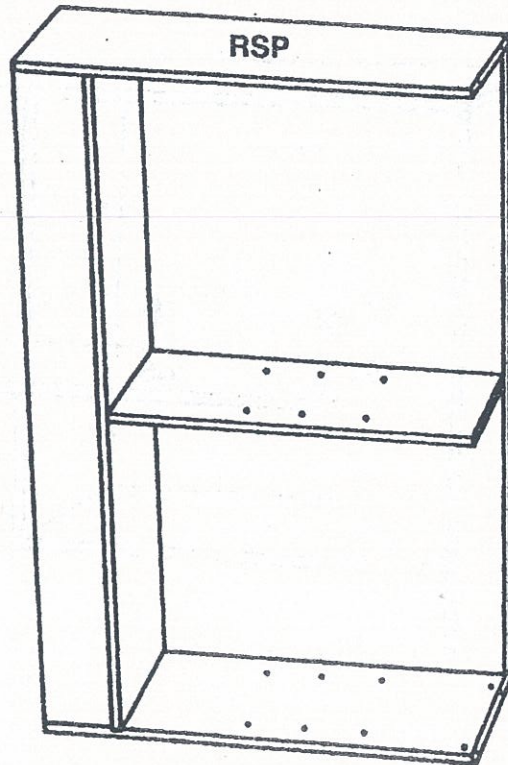
7



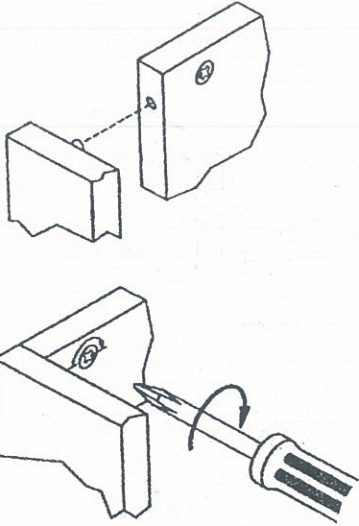
Fasten panels together and make sure all cams are locked.



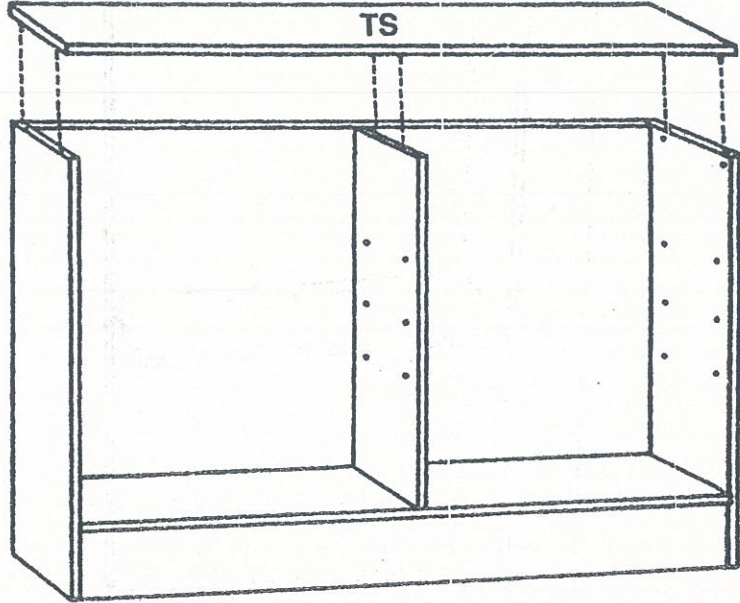
Fasten panels together and make sure all cams are locked.



8



Fasten panels together and make sure all cams are locked.



9

